



US00D814828S

(12) **United States Design Patent**  
**Flynn**

(10) **Patent No.:** **US D814,828 S**  
(45) **Date of Patent:** **\*\* Apr. 10, 2018**

(54) **FURNITURE DAMAGE COVERING DEVICE**

(71) Applicant: **Johanna Theodora Jean Paulson Flynn**, Mesa, AZ (US)

(72) Inventor: **Johanna Theodora Jean Paulson Flynn**, Mesa, AZ (US)

(\*\*) Term: **15 Years**

(21) Appl. No.: **29/583,714**

(22) Filed: **Nov. 8, 2016**

**Related U.S. Application Data**

(63) Continuation-in-part of application No. 29/547,738, filed on Dec. 7, 2015, now Pat. No. Des. 787,864.

(51) **LOC (11) Cl.** ..... **06-13**

(52) **U.S. Cl.**  
USPC ..... **D6/611**

(58) **Field of Classification Search**

USPC ..... D6/334-336, 349, 351, 352, 358, 360, D6/364, 365, 366, 374, 375, 379, 380, D6/611, 657, 662.1, 672, 674, 675, 675.1, D6/675.3, 683, 683.1, 685, 691, 691.5, D6/702, 708, 708.2, 708.21, 708.25, 716, D6/716.1-716.4; D3/304, 307, 309  
CPC ..... A47C 1/143; A47C 31/00; A47C 31/11; A47C 31/08; A47C 31/10; A47C 31/105; A47C 31/113; A47C 31/116; A47C 4/28;

(Continued)

(56) **References Cited**

**U.S. PATENT DOCUMENTS**

5,024,262 A 6/1991 Huang  
5,244,710 A 9/1993 Bricher et al.  
(Continued)

**OTHER PUBLICATIONS**

“Ouch Heart Sweetheart Bandages by NPW” Jul. 23, 2012 amazon.com site visited Dec. 21, 2016 <<https://www.amazon.com/Ouch->

Heart-Sweetheart-Bandages-NPWdpB003SQ603Uref=cm\_cr\_arp\_d\_product\_top?ie=UTF8>.

(Continued)

*Primary Examiner* — Kevin K Rudzinski  
*Assistant Examiner* — Paul D Bohannon  
(74) *Attorney, Agent, or Firm* — Volk & McElroy, LLP; Michael D. Volk Jr.

(57) **CLAIM**

The ornamental design for a furniture damage covering device, as shown and described.

**DESCRIPTION**

FIG. 1 is a perspective view of a furniture damage covering device showing my new design.

FIG. 2 is a front view of my design shown in FIG. 1.

FIG. 3 is a back view of my design shown in FIG. 1.

FIG. 4 is a right side view of my design shown in FIG. 1, the left side view is the same.

FIG. 5 is a top view of my design shown in FIG. 1.

FIG. 6 is a bottom view of my design shown in FIG. 1.

FIG. 7 is a view showing the furniture damage covering device of FIG. 1 installed on a piece of furniture.

FIG. 8 is another view showing the furniture damage covering device of FIG. 1 installed in an alternate location on a piece of furniture.

FIG. 9 is an exploded perspective view of the furniture damage covering device of FIG. 1 illustrating a removable scent packet or cushion feature.

FIG. 10 is a front exploded view of my design shown in FIG. 9.

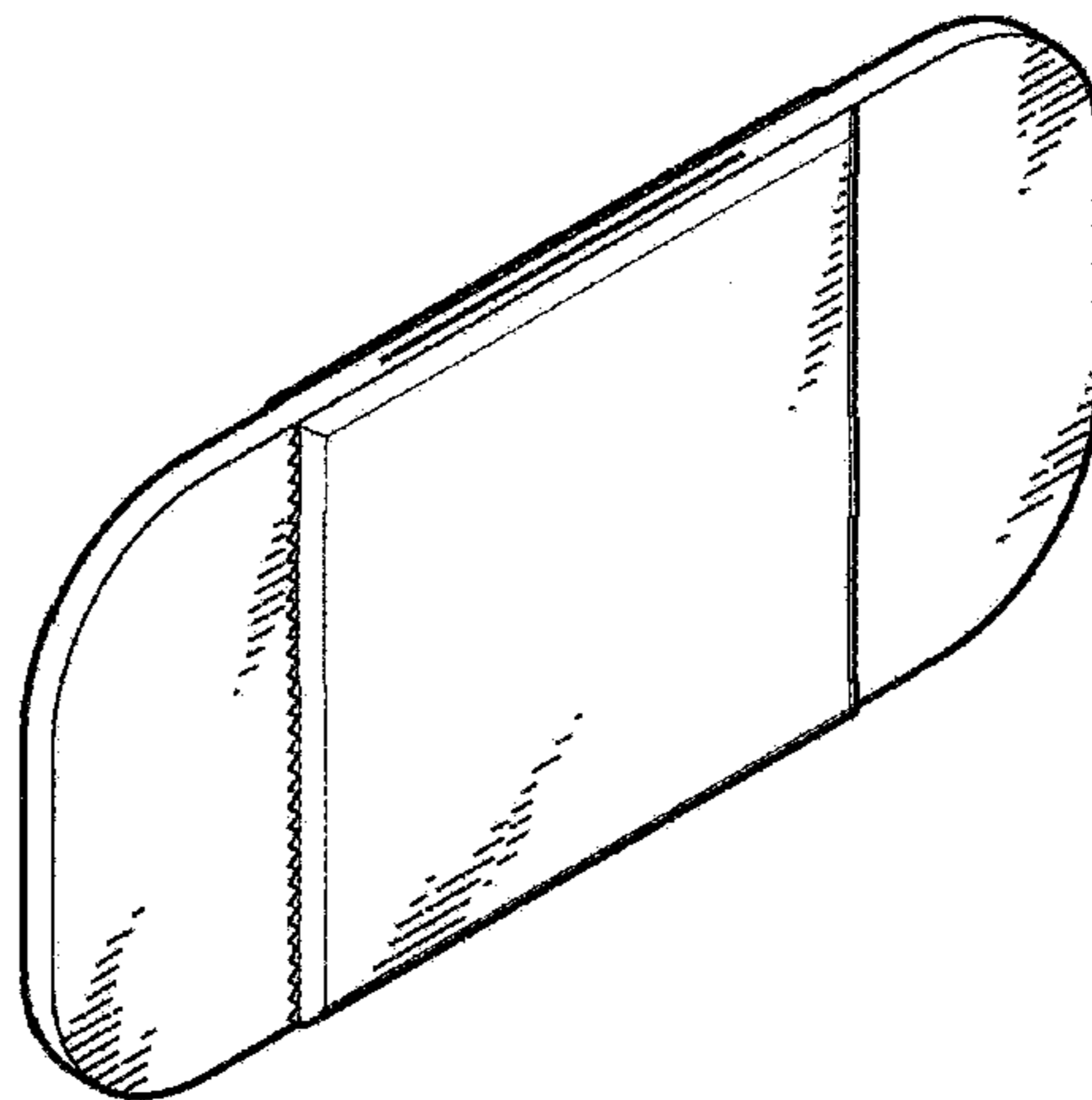
FIG. 11 is a back exploded view of my design shown in FIG. 9.

FIG. 12 is a right side exploded view of my design shown in FIG. 9, the left side exploded view is the same.

FIG. 13 is a top view of my design shown in FIG. 9; and, FIG. 14 is a bottom exploded view of my design shown in FIG. 9.

The broken lines in the drawings depict environmental features that form no part of the claimed design.

**1 Claim, 10 Drawing Sheets**



(58) **Field of Classification Search**

CPC ..... A47C 4/283; A47C 4/286; A47C 4/30;  
A47C 4/32; A47C 4/34; A47C 4/36;  
A47C 4/38; A47C 4/40; A47C 4/42;  
A47C 4/44; A47C 4/46; A47C 4/48;  
A47C 4/50; A47C 4/54; A47C 5/00;  
A47C 5/005; A47C 5/02; A47C 7/02;  
A47C 7/36; A47C 7/50; A47C 7/54;  
A47C 7/62; A47C 7/66; A47C 17/00;  
A47C 17/045; A47C 17/22; A47C 17/86;  
A47C 19/205; A47C 21/00; A47C  
21/022; A47C 21/026; A47C 21/028;  
A47C 21/042; A47C 27/001; A47C  
27/002; A47C 27/003; A47C 27/005;  
A47C 27/006; A47C 27/00; B60N 2/60;  
B60N 2/2881; B60N 2/6018; B60N  
2/6036

See application file for complete search history.

(56) **References Cited**

U.S. PATENT DOCUMENTS

5,543,213 A 8/1996 Duvenkamp  
5,744,209 A 4/1998 Parkes

6,787,679 B1 9/2004 Cantor  
2007/0232979 A1 10/2007 Montgomery  
2012/0029405 A1 2/2012 Cataldi et al.  
2012/0165716 A1 6/2012 Reuben  
2012/0312242 A1 12/2012 Hillman  
2012/0320553 A1 12/2012 Yang et al.  
2015/0173465 A1 6/2015 Messner et al.  
2016/0106593 A1 4/2016 Chandaria  
2016/0338504 A1 11/2016 Bellini

OTHER PUBLICATIONS

“iphone 6S Plus Polka Dots Case iphone 6 Plus Cartoon  
CaseMODEFAN Cute Red Polka Dots Hello Kitty Style Rubber  
Silicone Soft Gel Skin Case Cover for Apple Iphone 6 Plus 6S Plus  
5.5 Inch” May 2, 2016 amazon.com site visited Dec. 21, 2016  
<[https://www.amazon.com/iphone-Cartoon-MODEFAN-Rubber-SiliconedpB01AARBABOref=cm\\_cr\\_arp\\_d\\_product\\_to](https://www.amazon.com/iphone-Cartoon-MODEFAN-Rubber-SiliconedpB01AARBABOref=cm_cr_arp_d_product_to)>.

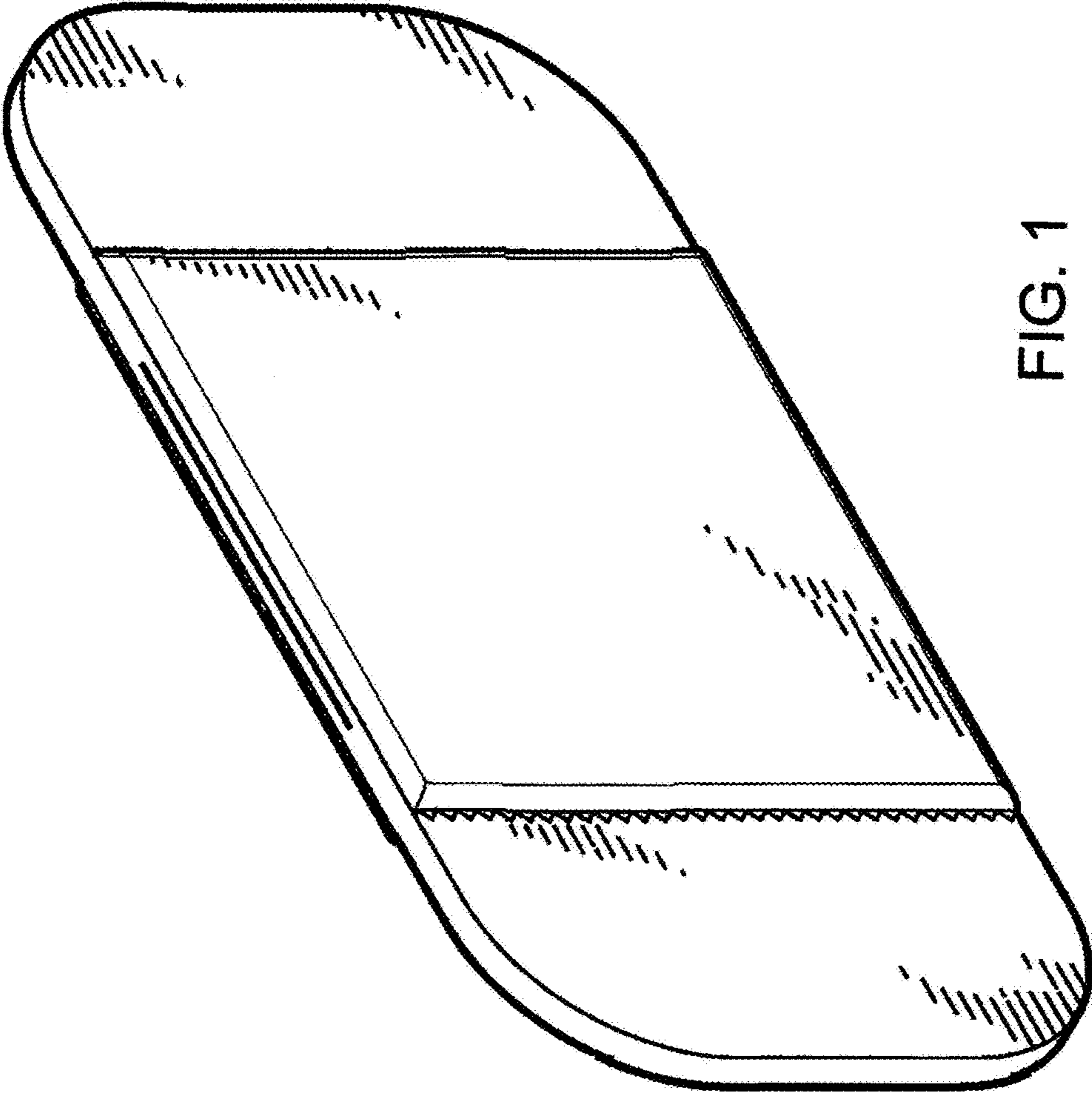


FIG. 1

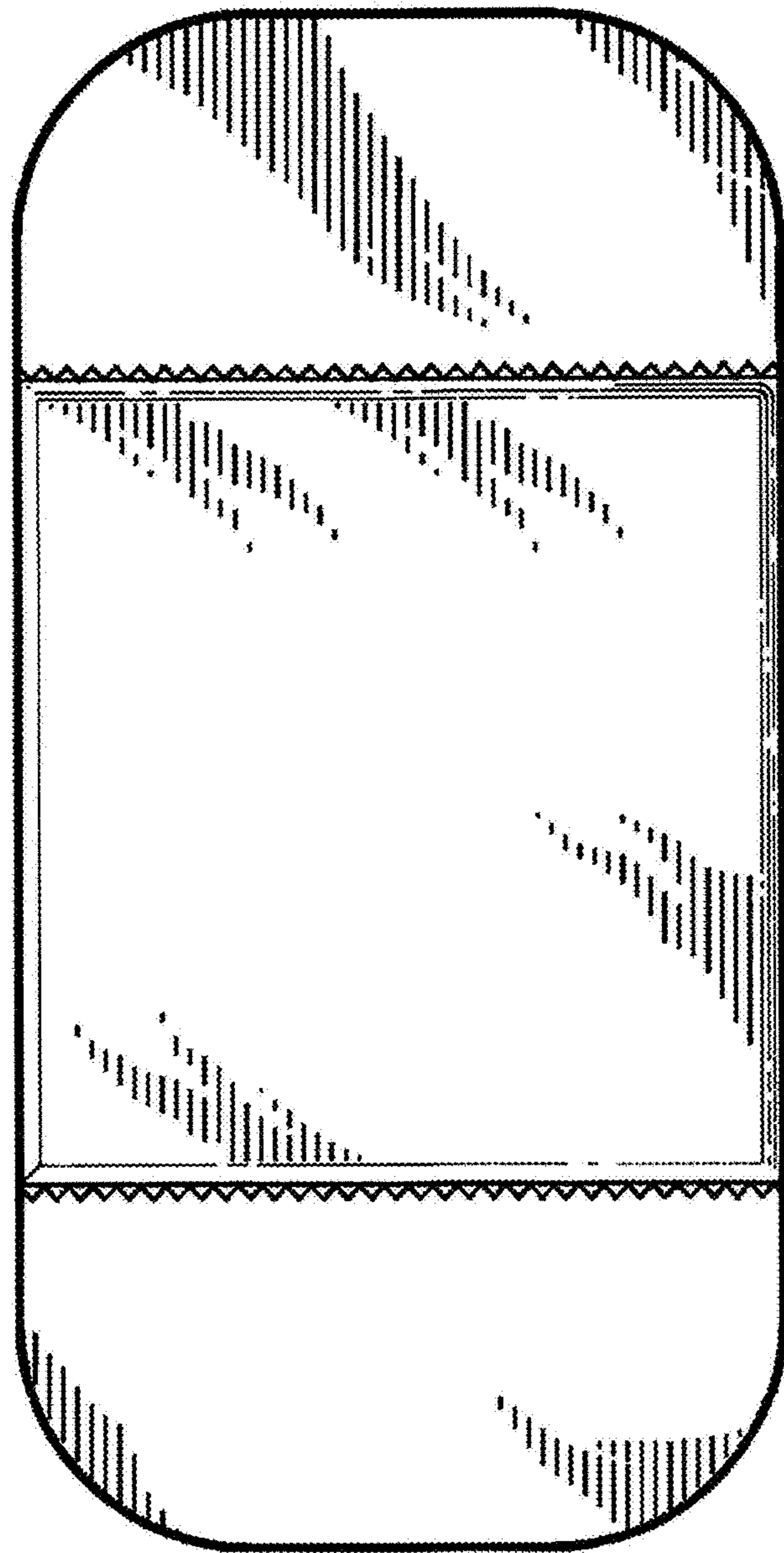


FIG. 2

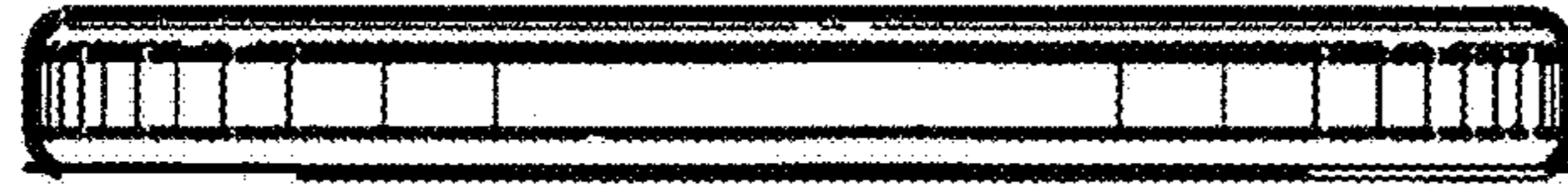


FIG. 4

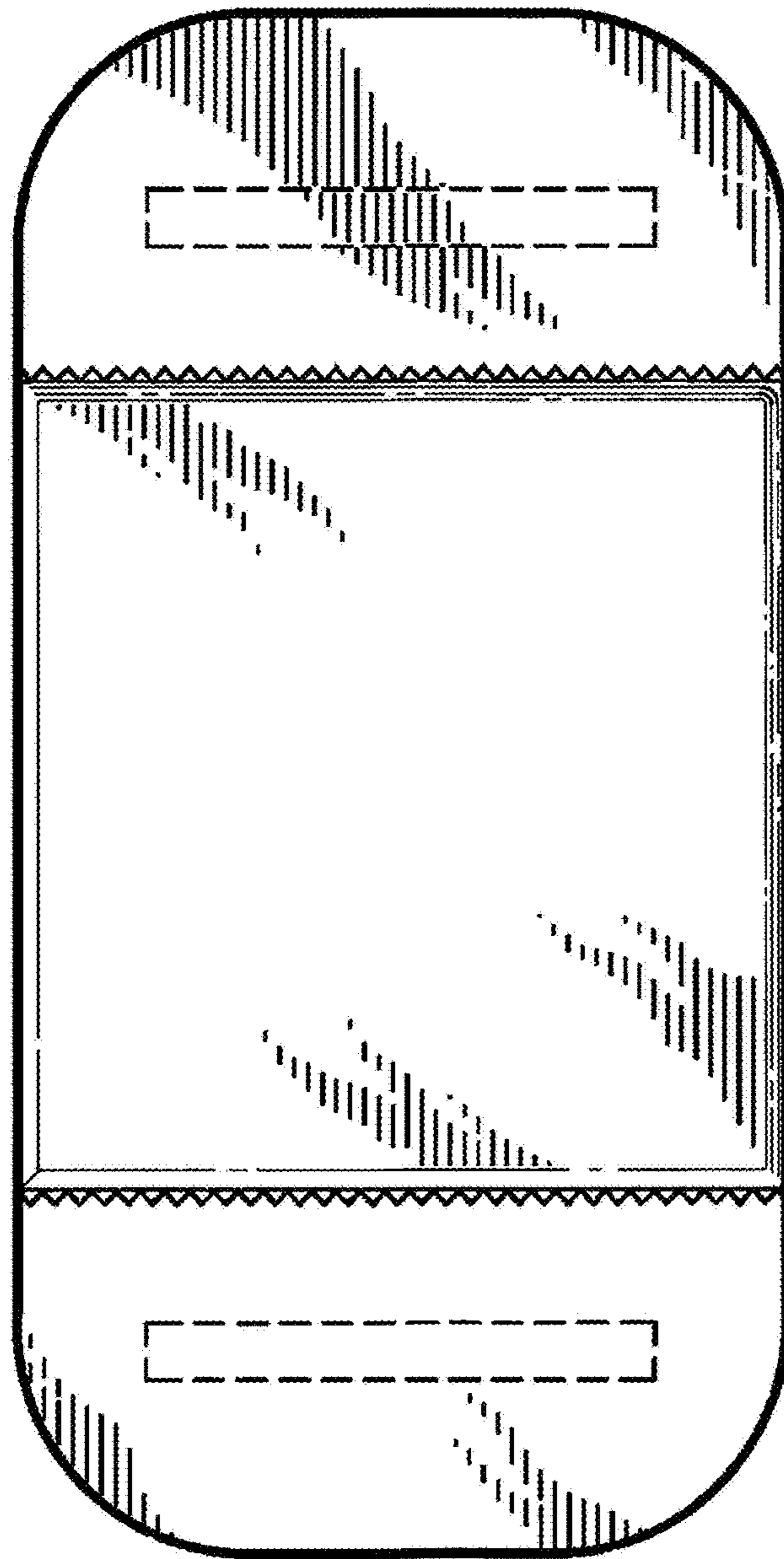


FIG. 3



FIG. 5



FIG. 6

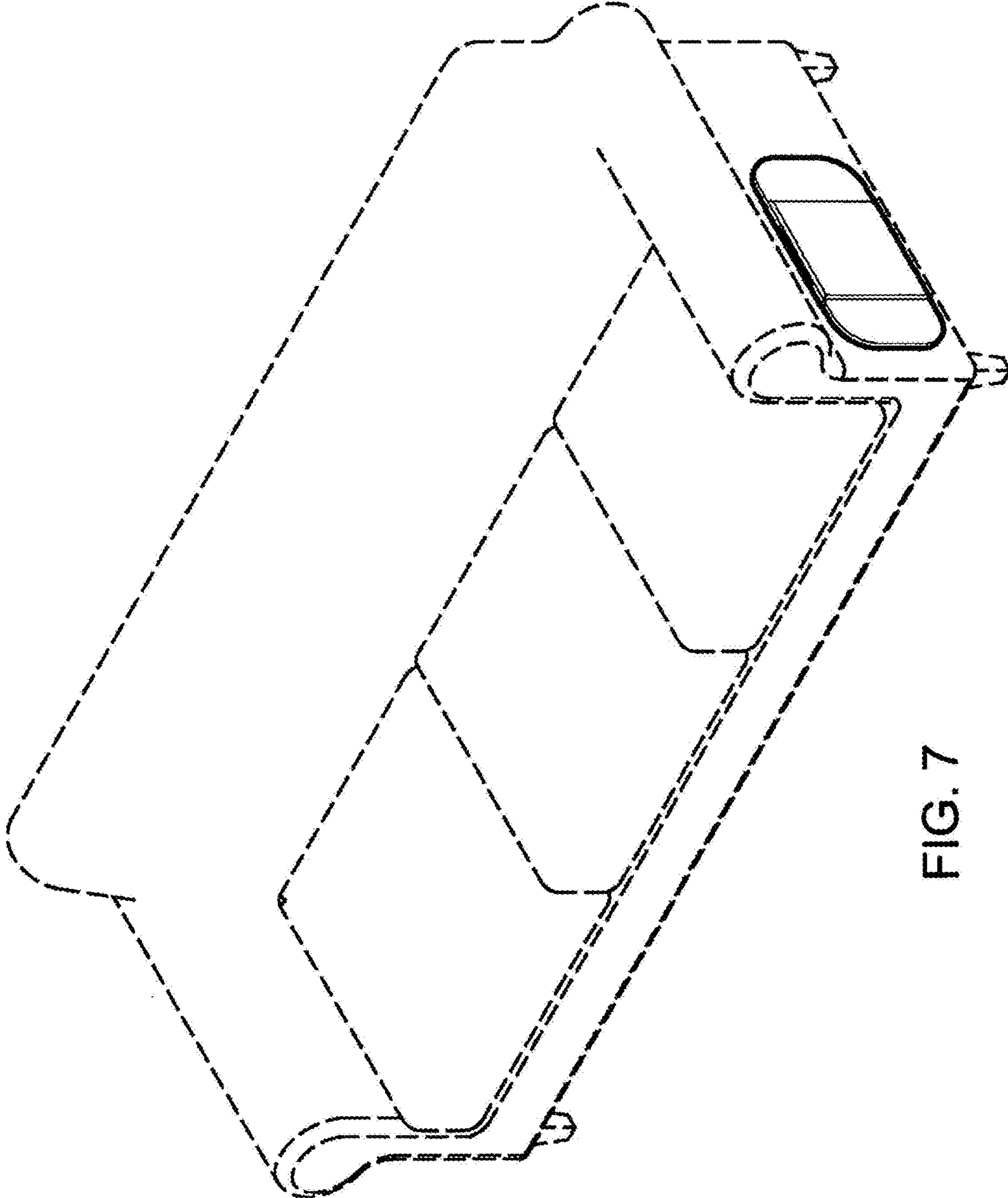


FIG. 7

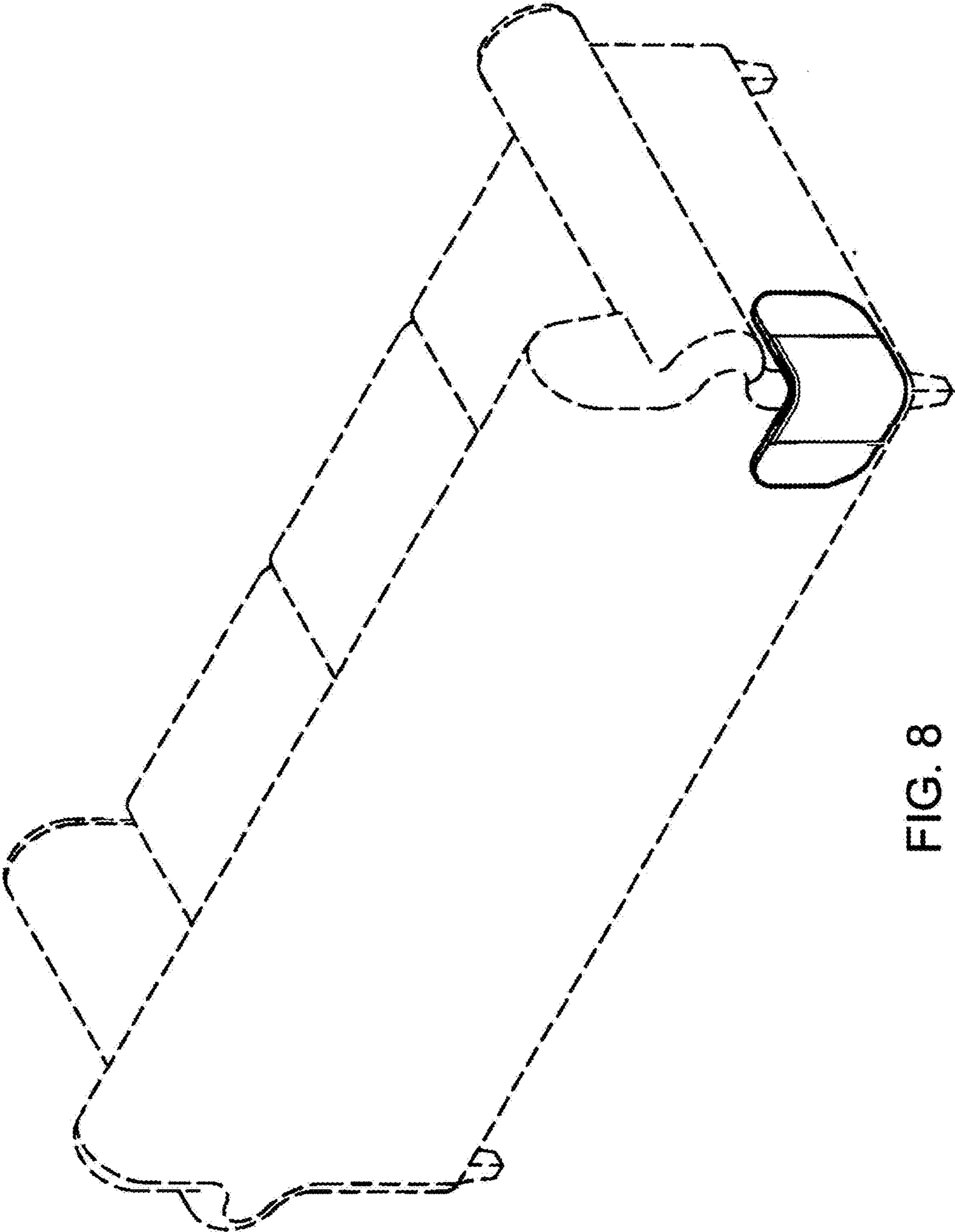


FIG. 8



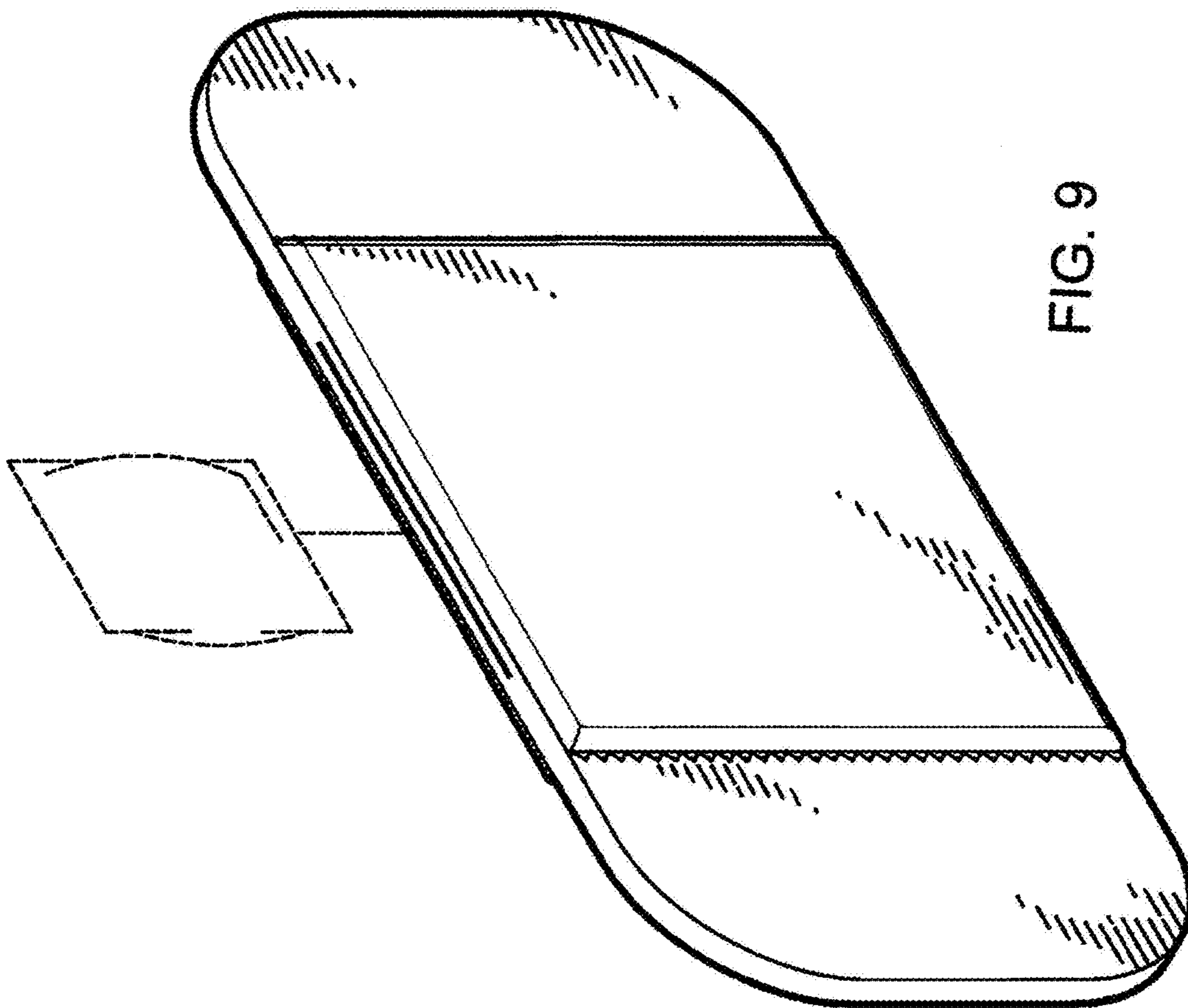


FIG. 9

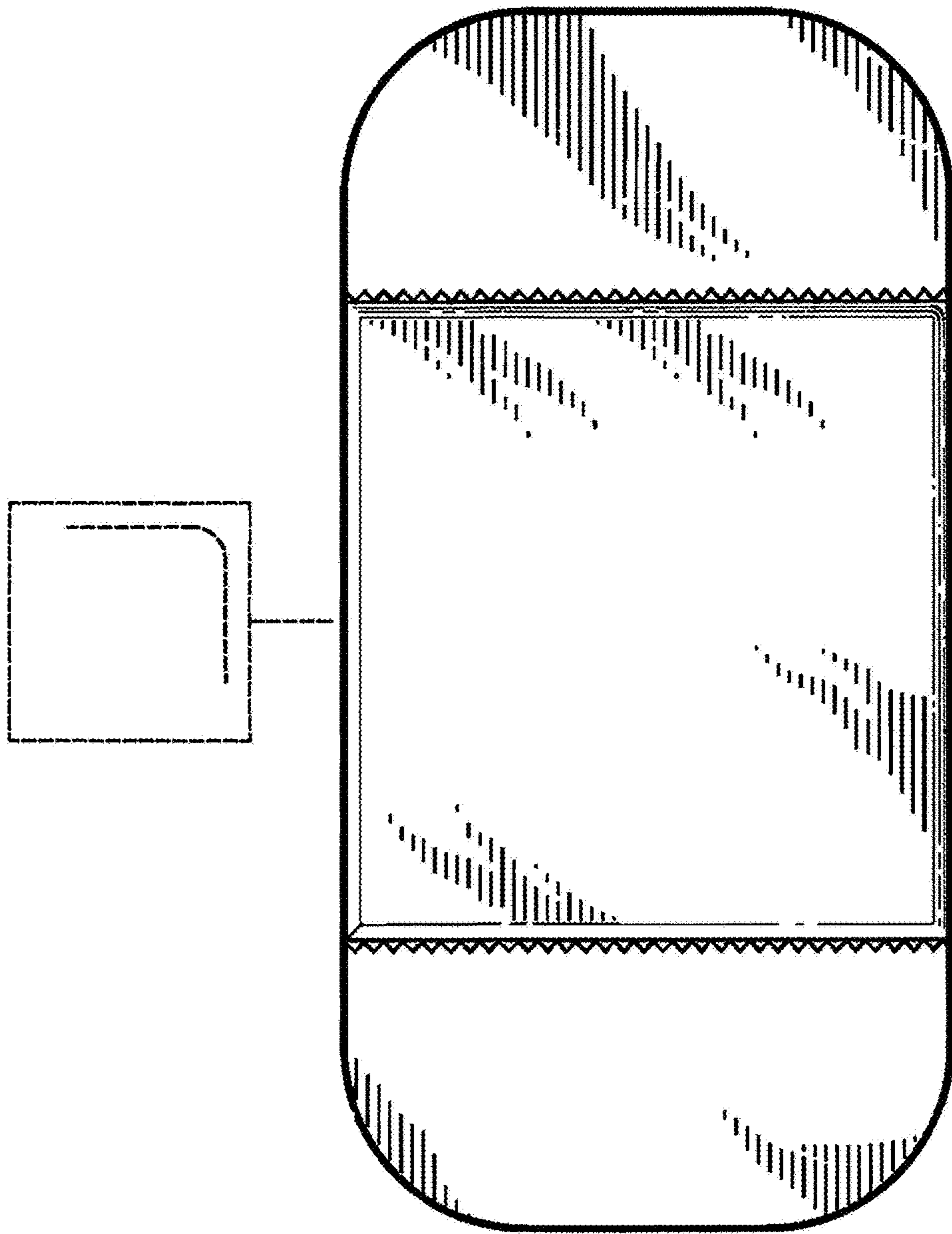


FIG. 10

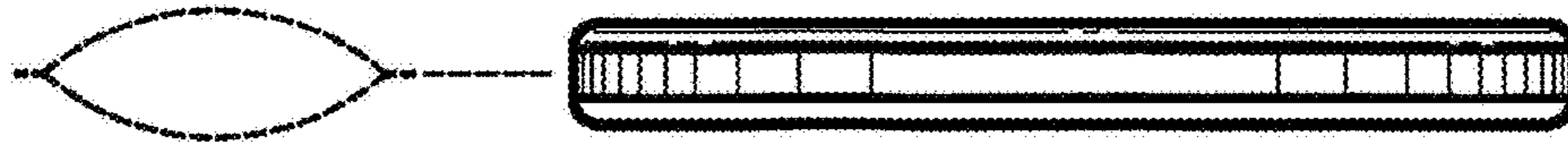


FIG. 12

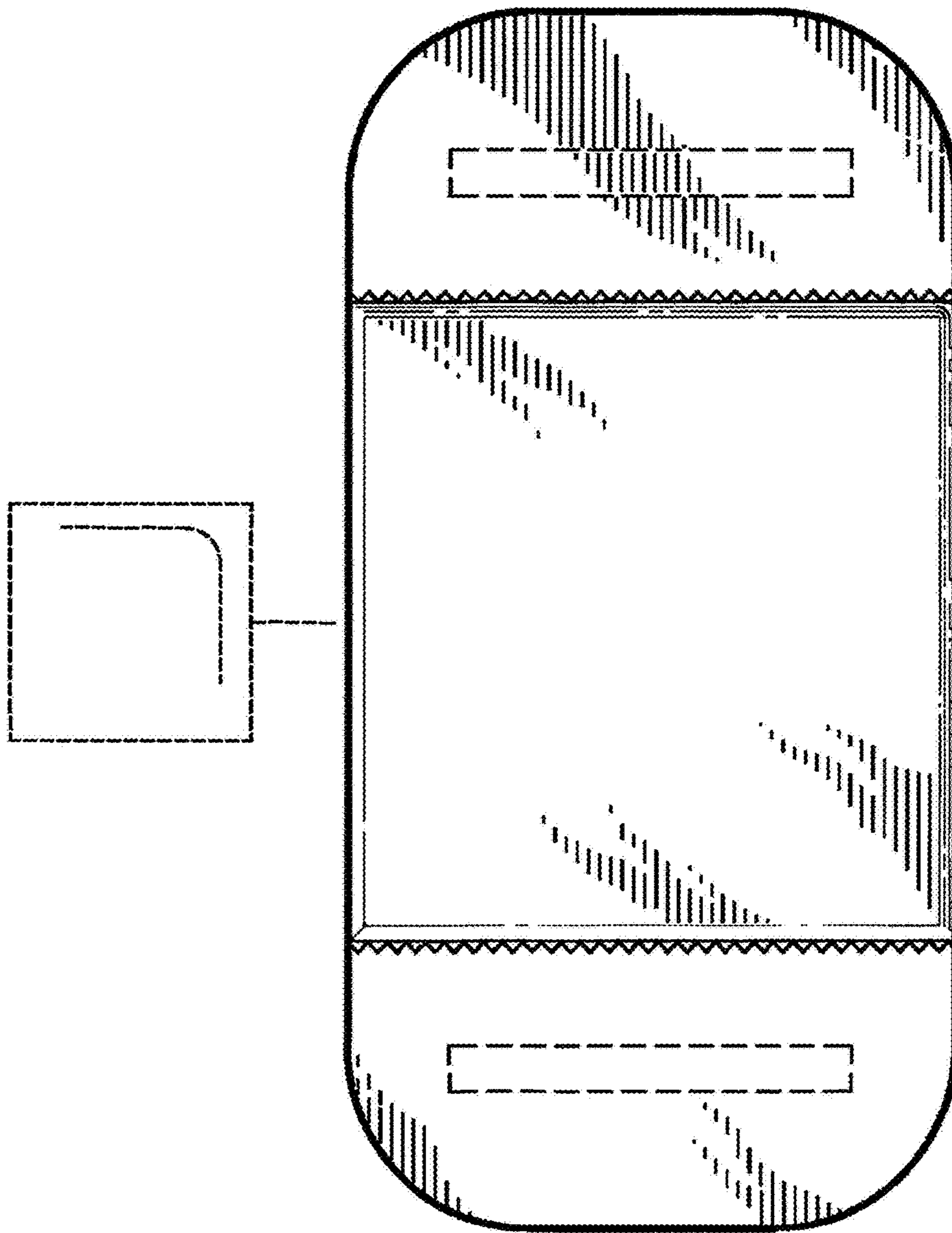


FIG. 11



FIG. 13



FIG. 14