



US00D814821S

(12) **United States Design Patent** (10) **Patent No.:** **US D814,821 S**
Velez (45) **Date of Patent:** **** Apr. 10, 2018**

- (54) **CHAIR**
- (71) Applicant: **Holly Hunt Enterprises, Inc.**, Chicago, IL (US)
- (72) Inventor: **Alberto Velez**, Chicago, IL (US)
- (73) Assignee: **Holly Hunt Enterprises, Inc.**, Chicago, IL (US)

D333,042 S *	2/1993	Komai	D6/370
D411,925 S *	7/1999	Frinier	D6/379
D438,398 S *	3/2001	Frinier	D6/375
D495,156 S *	8/2004	Gower	D6/370
D544,724 S *	6/2007	Gower	D6/374
D648,157 S *	11/2011	McCurry	D6/717
D708,452 S *	7/2014	Garcia	D6/379
D732,302 S *	6/2015	Lange	D6/379
D779,849 S *	2/2017	White, III	D6/370
D779,850 S *	2/2017	White, III	D6/370

- (**) Term: **15 Years**
- (21) Appl. No.: **29/574,052**

- (22) Filed: **Aug. 11, 2016**
- (51) **LOC (11) Cl.** **06-01**
- (52) **U.S. Cl.**
USPC **D6/379; D6/373**
- (58) **Field of Classification Search**
USPC D6/334, 349-350, 364-368, 370-379, D6/380, 381, 403, 405, 406.6, 654-654.1, D6/678-678.2, 682.1-682.6, 684-686, D6/691, 691.8-691.9, 698, 699, 705, D6/705.5, 707.19, 708, 708.21, 716; 297/284.4, 452.18, 452.24, 452.26, 297/452.28, 452.32-452.33, 452.37
CPC A47C 7/02; A47C 7/44; A47C 7/46; A47C 7/48; A47C 7/54; A47C 7/386; A47C 7/462; A47C 1/10; A47C 1/031; B60N 2/02; B60N 2/22; B60N 2/44
See application file for complete search history.

(56) **References Cited**

U.S. PATENT DOCUMENTS

D183,618 S *	9/1958	Kofod-Larsen	D6/379
D193,138 S *	7/1962	Folke	D6/379
D193,265 S *	7/1962	Folke	D6/379
D242,886 S *	1/1977	Potter	D6/379
D329,338 S *	9/1992	Komai	D6/370

OTHER PUBLICATIONS

Holly Hunt [online] found on Aug. 15, 2017 from URL <https://www.hollyhunt.com/ShowProduct.aspx?ProductID=13068&ManufacturerID=39>.*

* cited by examiner

Primary Examiner — Vy N Koenig
Assistant Examiner — Keith J Wilson
(74) *Attorney, Agent, or Firm* — Blank Rome LLP

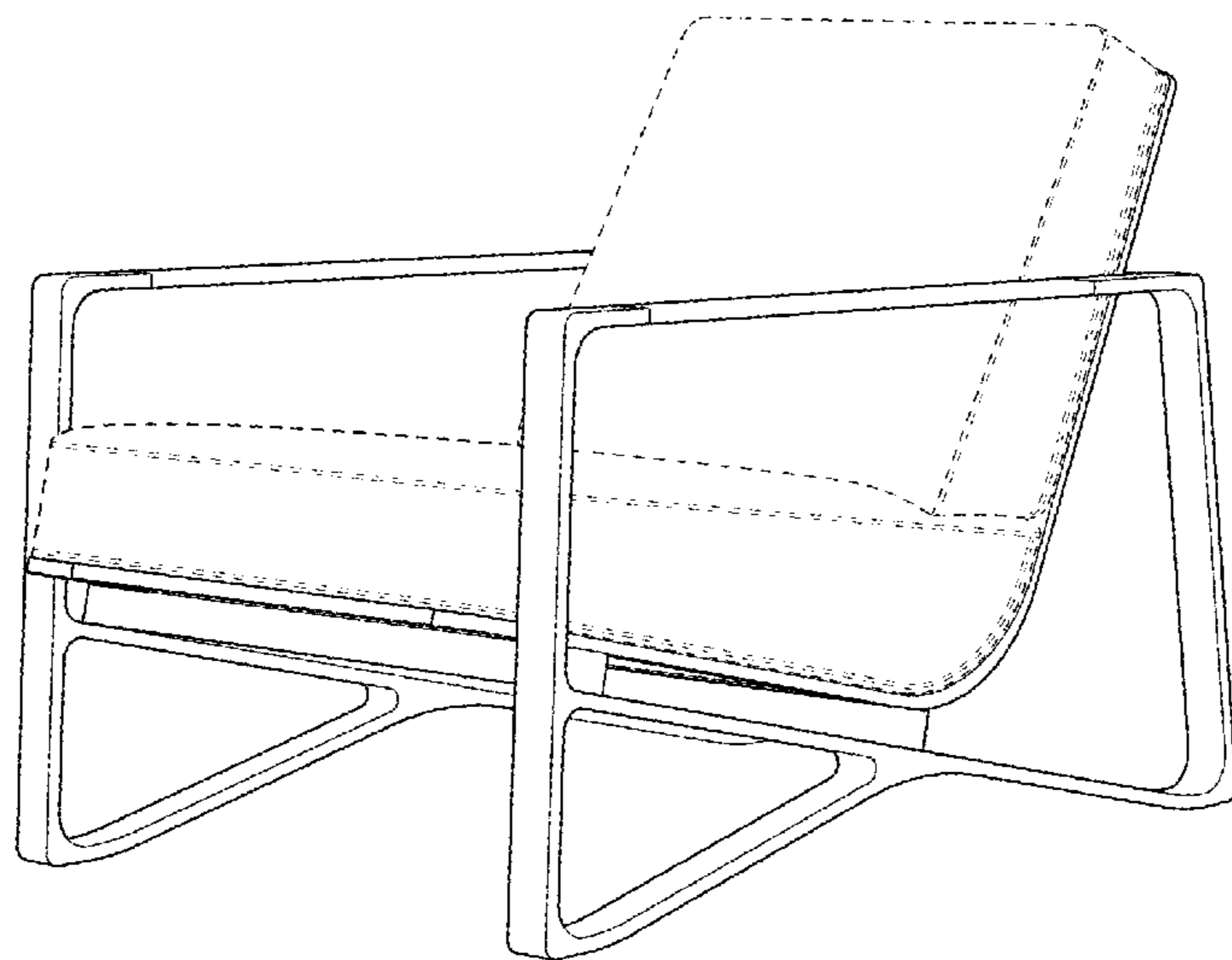
(57) **CLAIM**

The ornamental design for a chair, as shown and described.

DESCRIPTION

FIG. 1 is a front perspective view of a chair in accordance with the present design;
FIG. 2 is a rear perspective view of the chair illustrated in FIG. 1;
FIG. 3 is a front view of the chair illustrated in FIG. 1;
FIG. 4 is a rear view of the chair illustrated in FIG. 1;
FIG. 5 is a left side view of the chair illustrated in FIG. 1;
FIG. 6 is a right side view of the chair illustrated in FIG. 1;
FIG. 7 is a plan view of the chair illustrated in FIG. 1; and, FIG. 8 is a bottom view of the chair illustrated in FIG. 1. The broken lines depicted represent environment only and form no part of the claimed design.

1 Claim, 5 Drawing Sheets



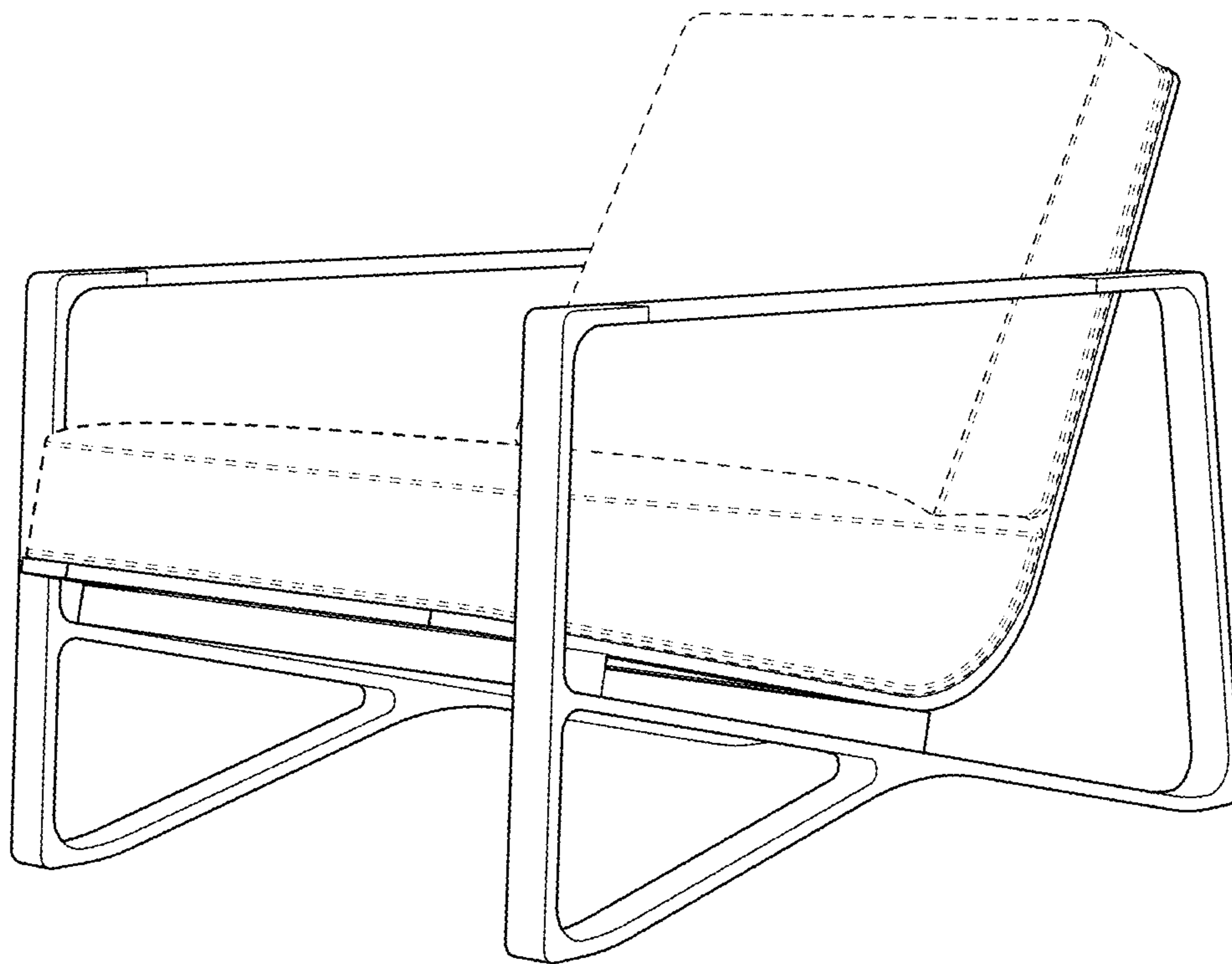


FIG. 1

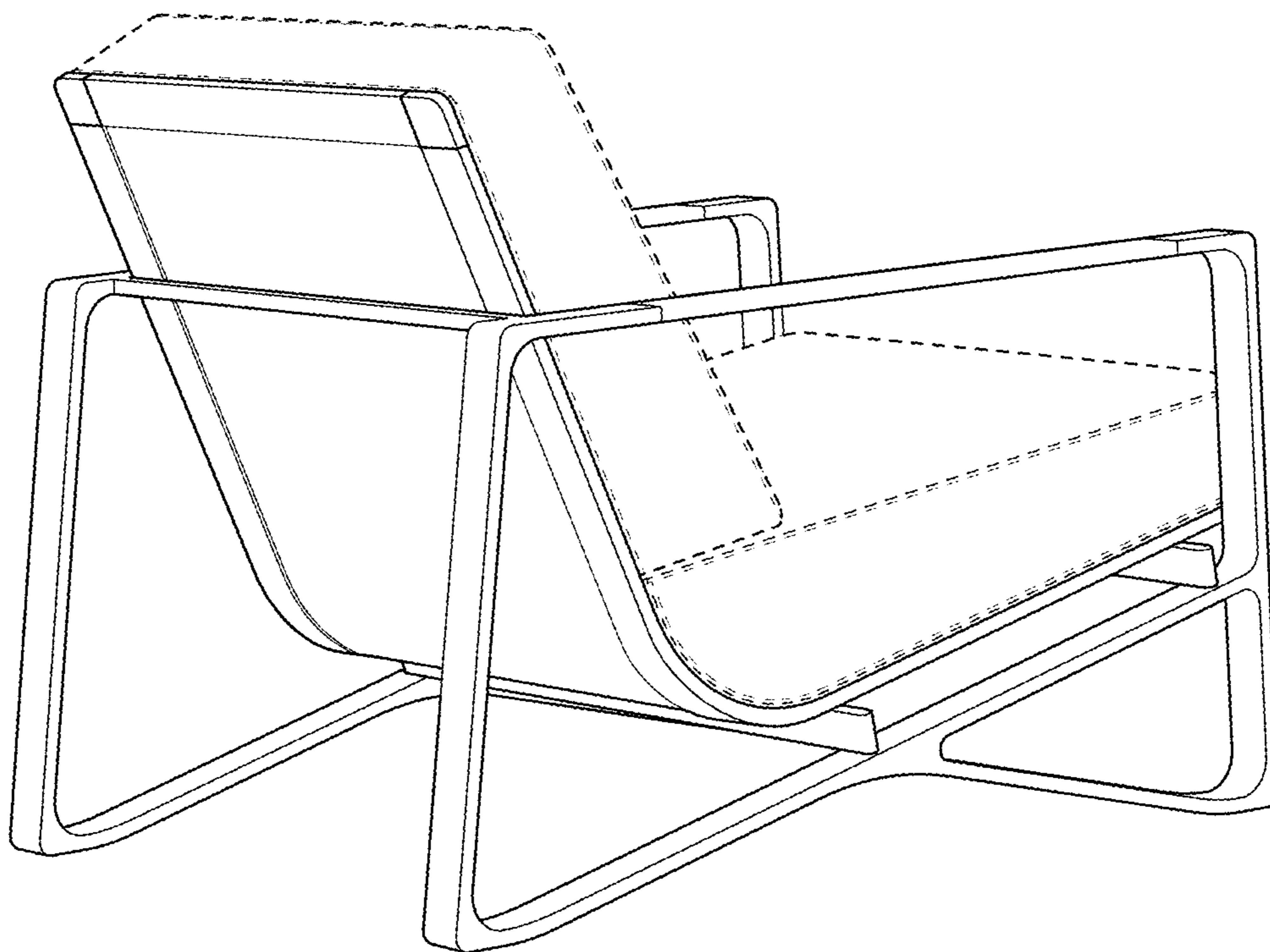


FIG. 2

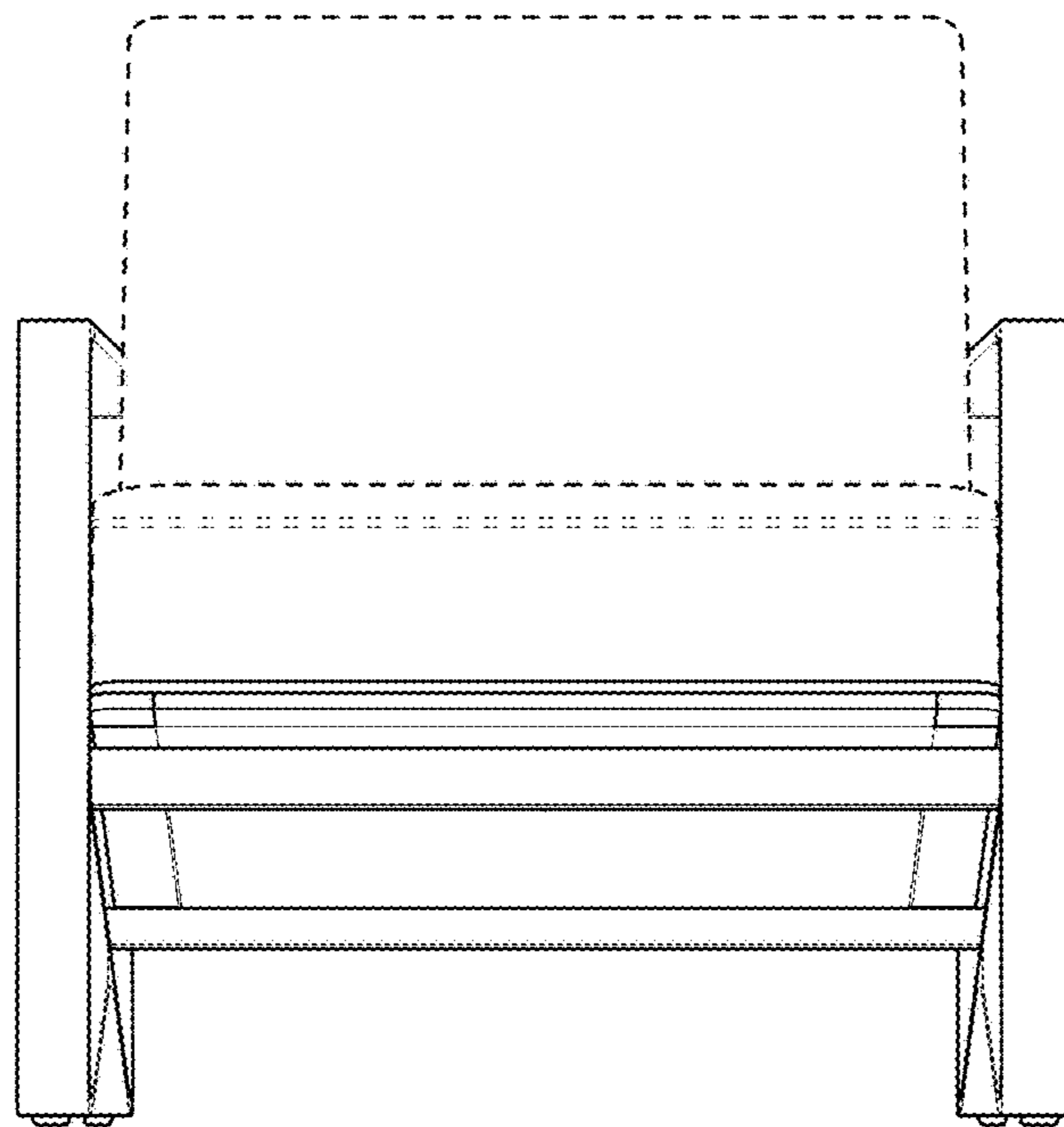


FIG. 3

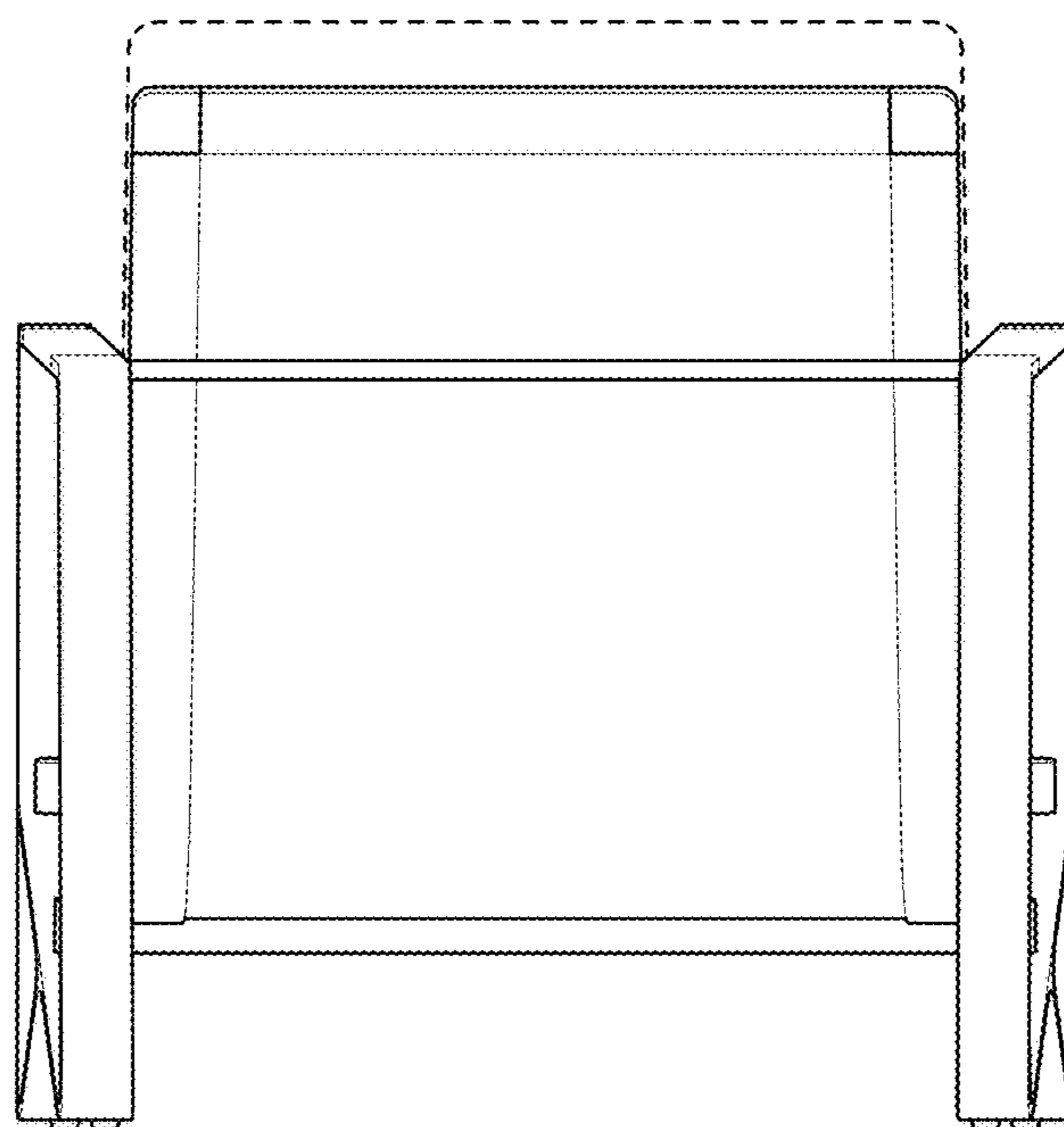


FIG. 4

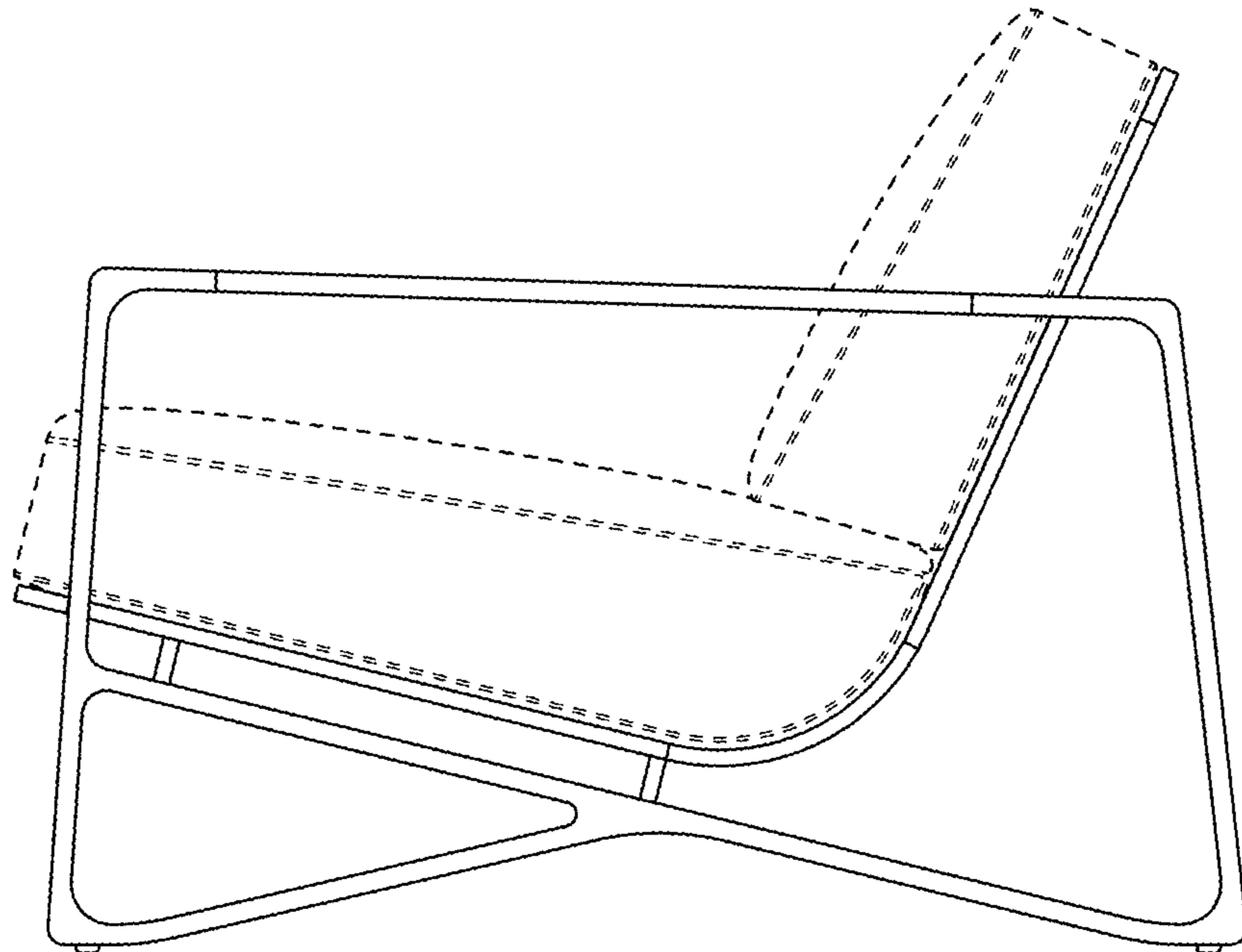


FIG. 5

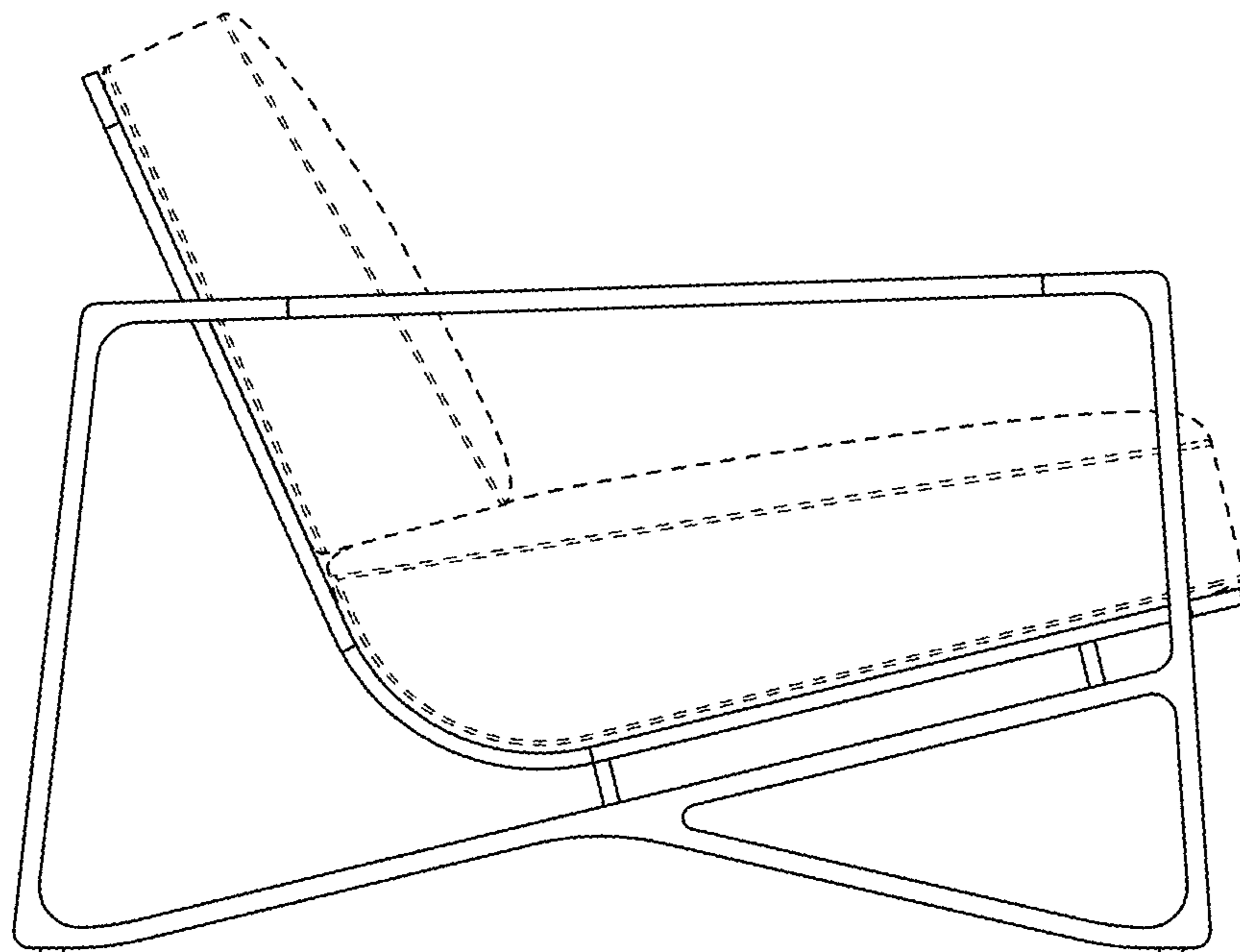


FIG. 6

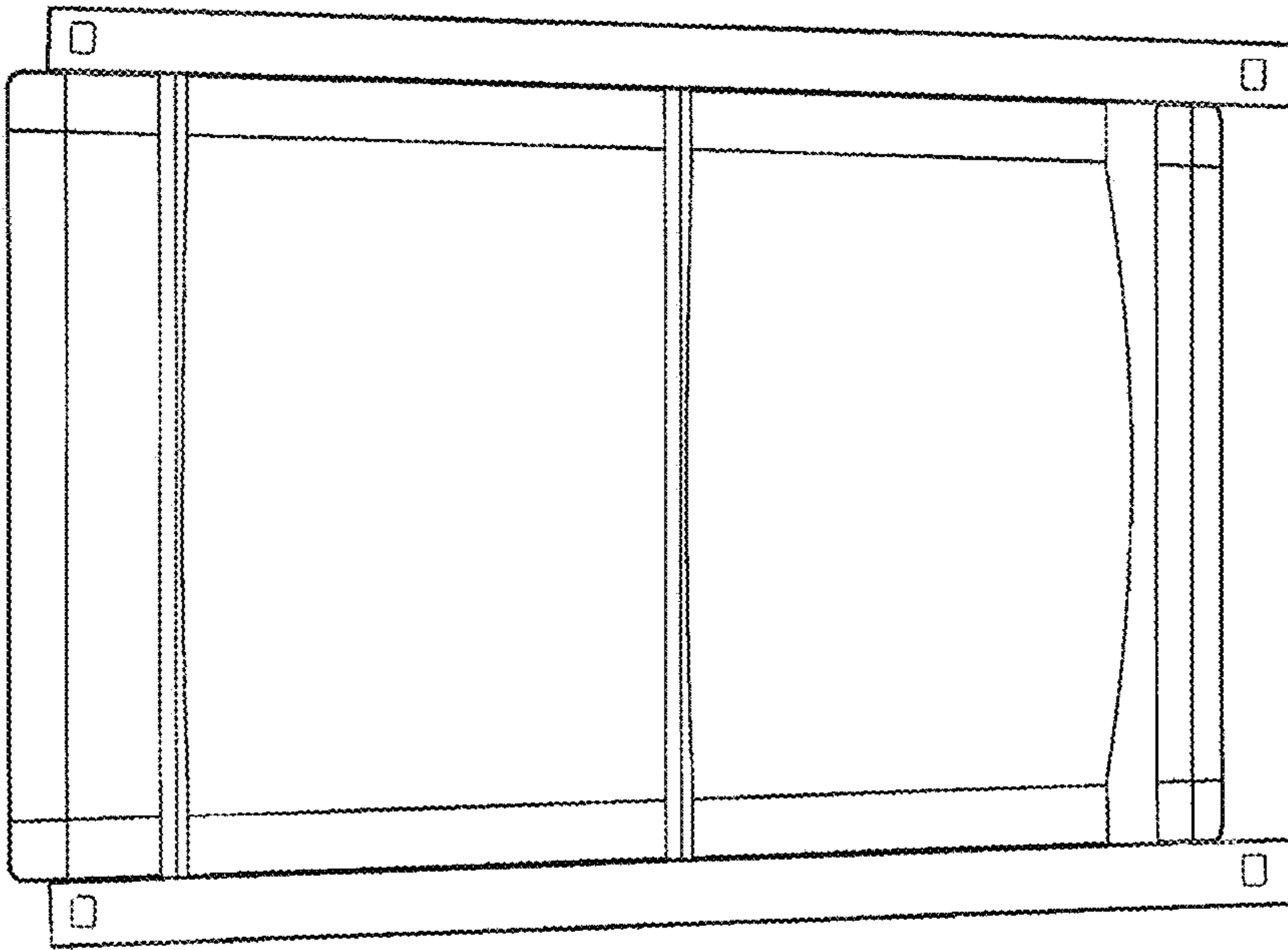


FIG. 8

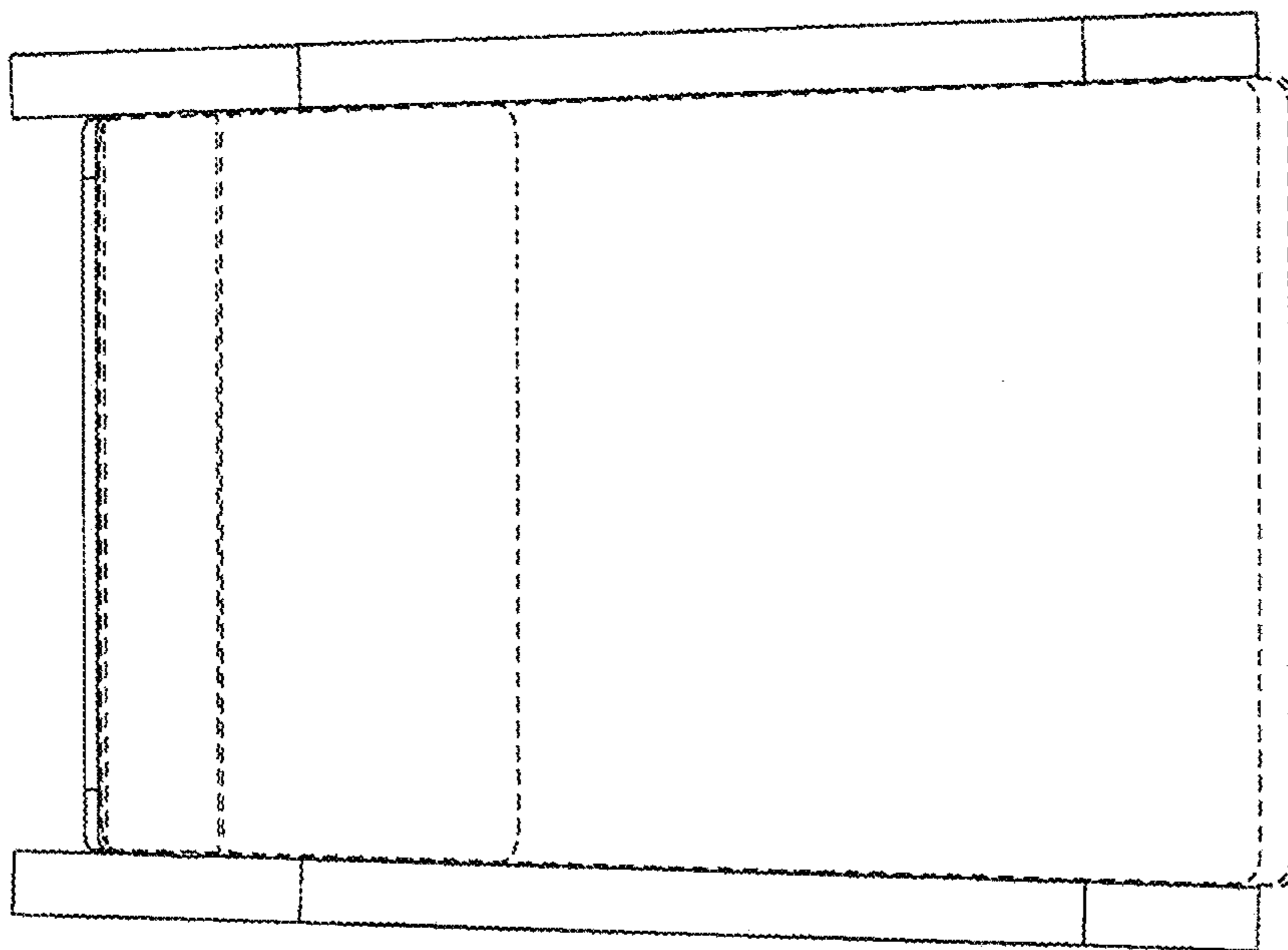


FIG. 7