



US00D814820S

(12) **United States Design Patent**  
**Meoli, Jr.**

(10) **Patent No.:** **US D814,820 S**

(45) **Date of Patent:** **\*\* Apr. 10, 2018**

(54) **STADIUM FOLDING CHAIR**

(71) Applicant: **Rudy B. Meoli, Jr.**, Chino, CA (US)

(72) Inventor: **Rudy B. Meoli, Jr.**, Chino, CA (US)

(\*\*) Term: **15 Years**

(21) Appl. No.: **29/598,242**

(22) Filed: **Mar. 23, 2017**

(51) **LOC (11) Cl.** ..... **06-01**

(52) **U.S. Cl.**  
USPC ..... **D6/368**

(58) **Field of Classification Search**  
USPC ..... D6/334-336, 362, 368, 371, 373, 374,  
D6/379, 380, 716, 716.1, 716.2, 716.3,  
D6/716.4  
CPC .... A47C 1/16; A47C 3/16; A47C 5/10; A47C  
5/06; A47C 4/283; A47C 4/30; A47C  
4/42; A47C 5/04; A47C 7/54  
See application file for complete search history.

(56) **References Cited**

**U.S. PATENT DOCUMENTS**

D121,266 S \* 7/1940 Archer ..... 297/250.1  
D252,658 S \* 8/1979 Kressin ..... D6/368  
D267,057 S \* 11/1982 Koehm ..... D6/368  
4,775,182 A \* 10/1988 von Hoffman ..... A47C 4/42  
297/350  
D468,548 S \* 1/2003 Head, Jr. .... D6/368  
D495,511 S \* 9/2004 Dingess ..... D6/368  
D600,463 S \* 9/2009 Ruiz Rubio ..... D6/368  
7,631,934 B2 \* 12/2009 MacIsaac ..... A47C 4/283  
297/217.7

D710,121 S \* 8/2014 Citterio ..... D6/368  
9,247,817 B2 \* 2/2016 Grace ..... A47C 1/16  
D773,841 S \* 12/2016 Lyles ..... D6/362  
D802,317 S \* 11/2017 Head, Jr. .... D6/368

\* cited by examiner

*Primary Examiner* — Mimoso De

(74) *Attorney, Agent, or Firm* — QuickPatents, LLC;  
Kevin Prince

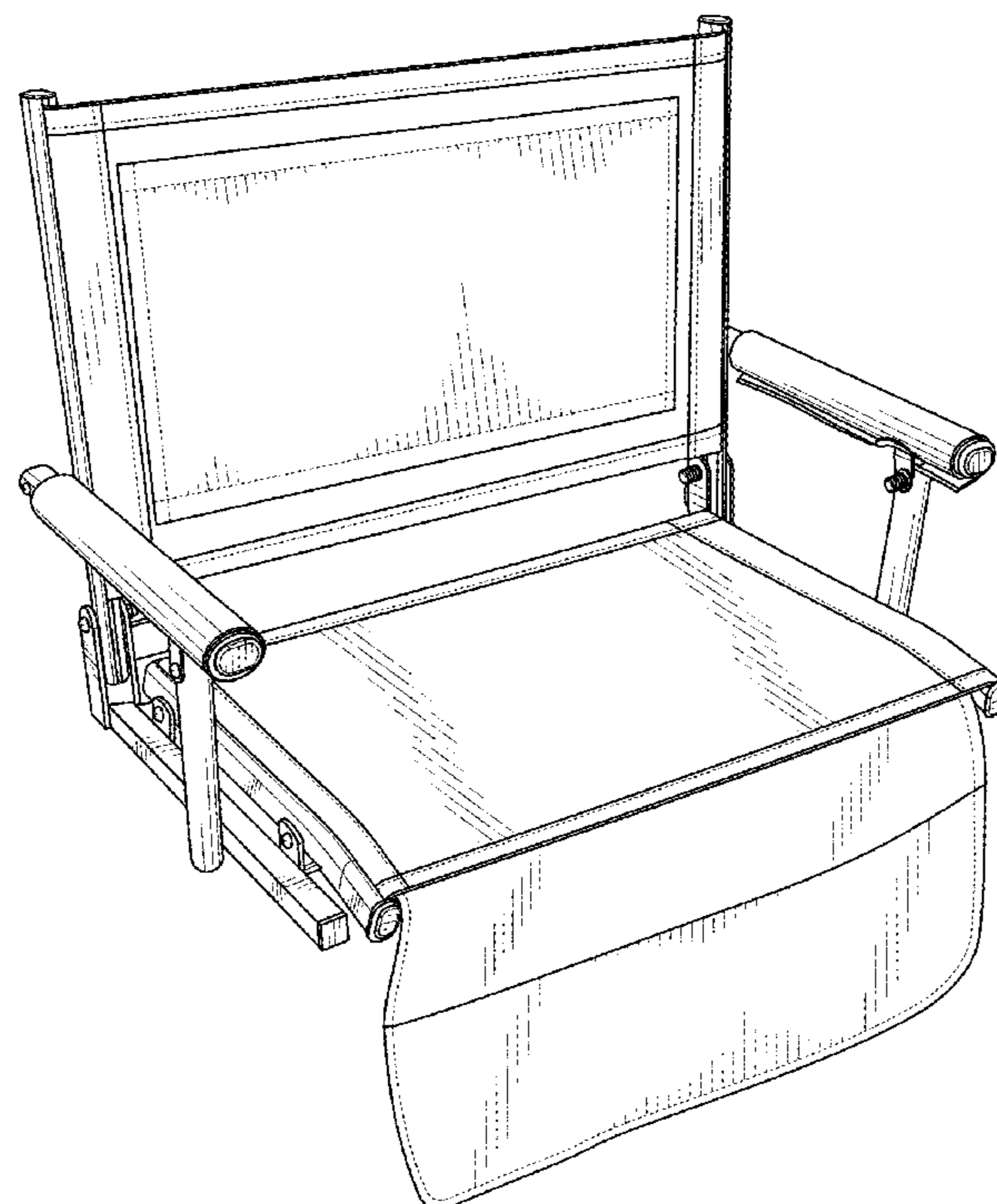
(57) **CLAIM**

I claim the ornamental design for a stadium folding chair, as shown and described.

**DESCRIPTION**

FIG. 1 is a perspective view of a stadium folding chair, showing my new design in an expanded configuration; FIG. 2 is a front elevational view of FIG. 1; FIG. 3 is a rear elevational view of FIG. 1; FIG. 4 is a left-side elevational view of FIG. 1; FIG. 5 is a right-side elevational view of FIG. 1; FIG. 6 is a top plan view of FIG. 1; FIG. 7 is a bottom plan view of FIG. 1; FIG. 8 is a perspective view thereof, illustrated in a collapsed configuration; FIG. 9 is a front elevational view of FIG. 8; FIG. 10 is a rear elevational view of FIG. 8; FIG. 11 is a left-side elevational view of FIG. 8; FIG. 12 is a right-side elevational view of FIG. 8; and FIG. 13 is a top plan view of FIG. 8; and, FIG. 14 is a bottom plan view of FIG. 8. The broken lines in the figures represent stitching, and are part of the claimed design.

**1 Claim, 7 Drawing Sheets**



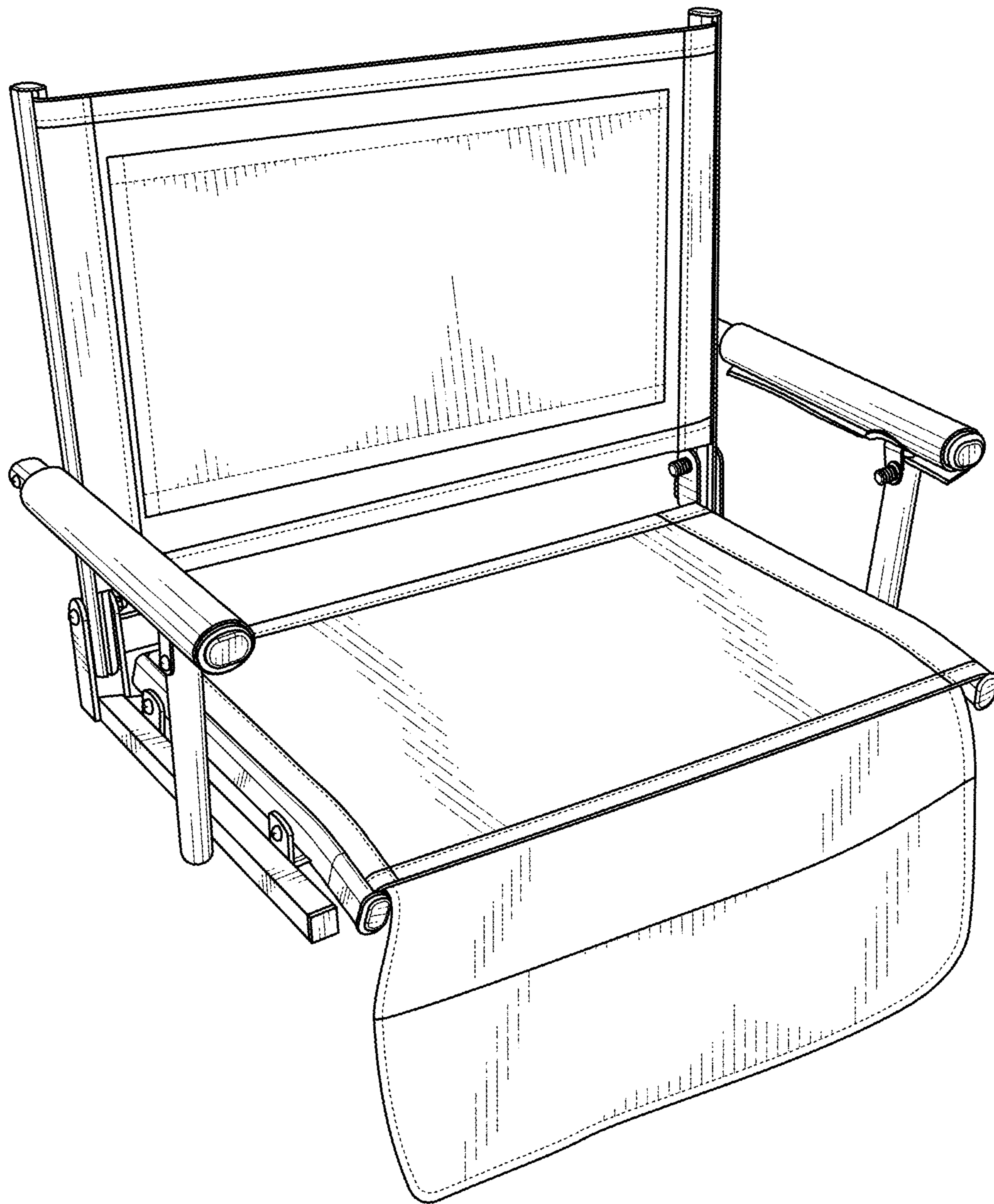


FIG. 1

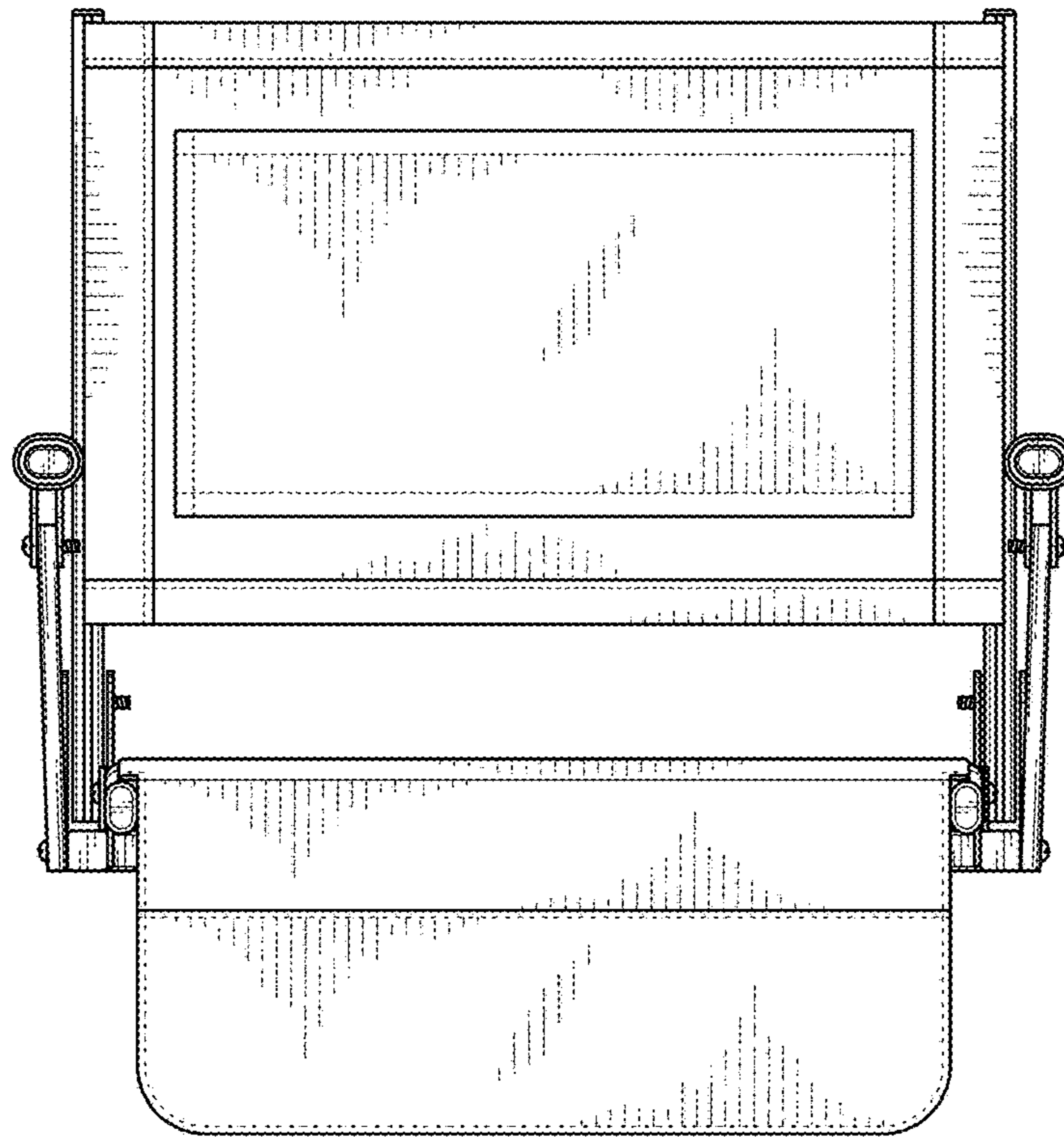


FIG. 2

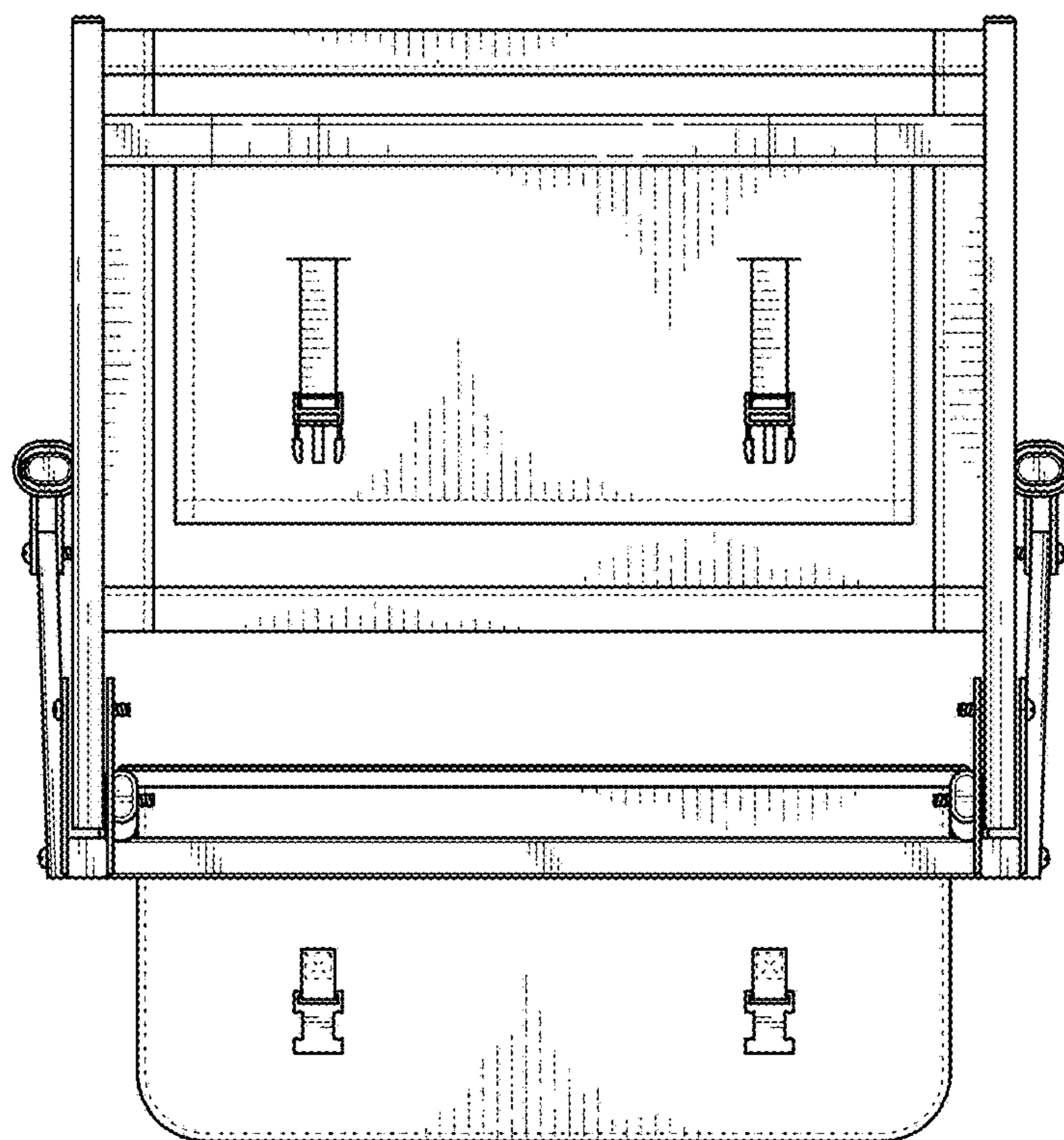


FIG. 3

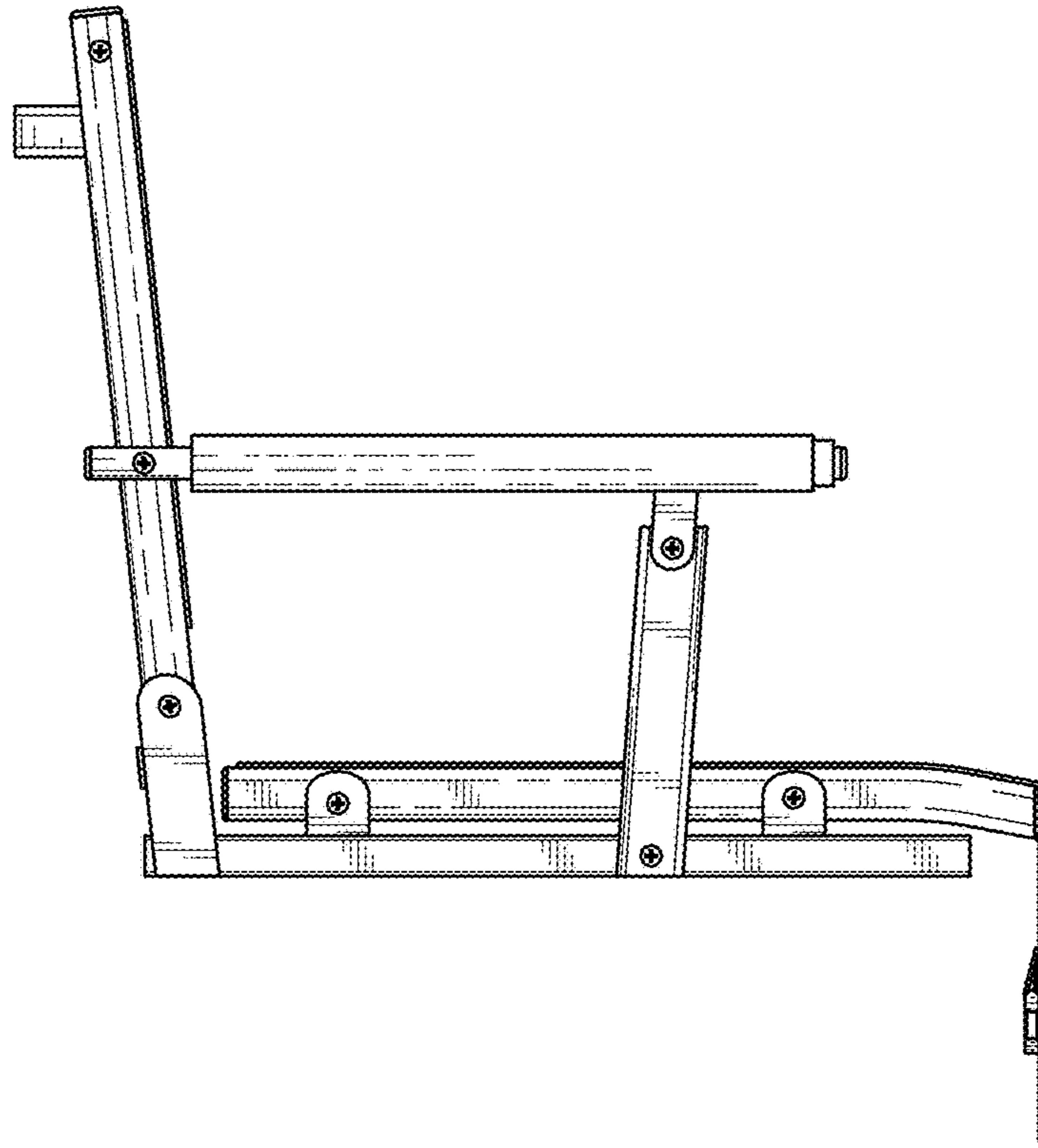


FIG. 4

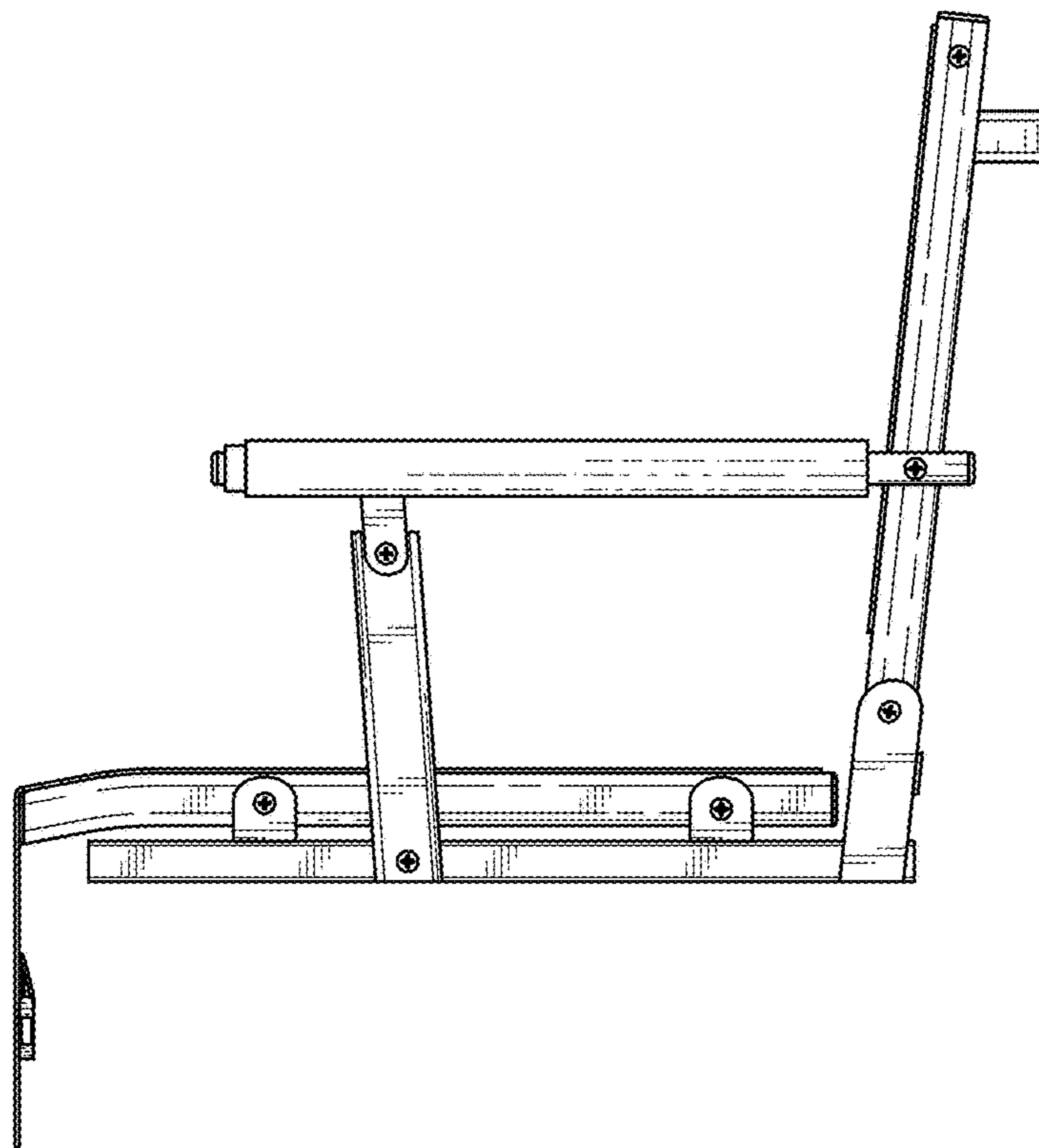


FIG. 5

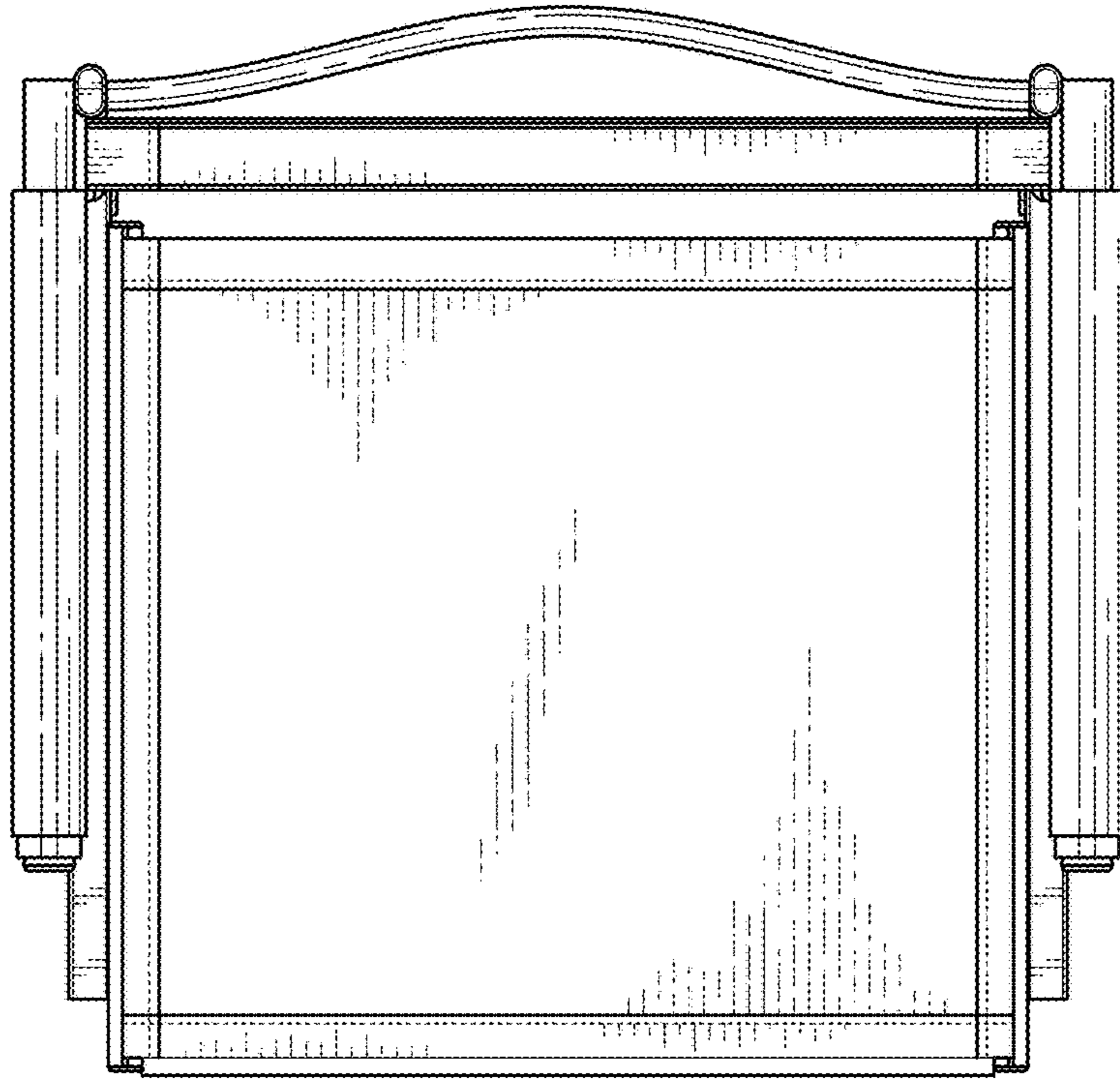


FIG. 6

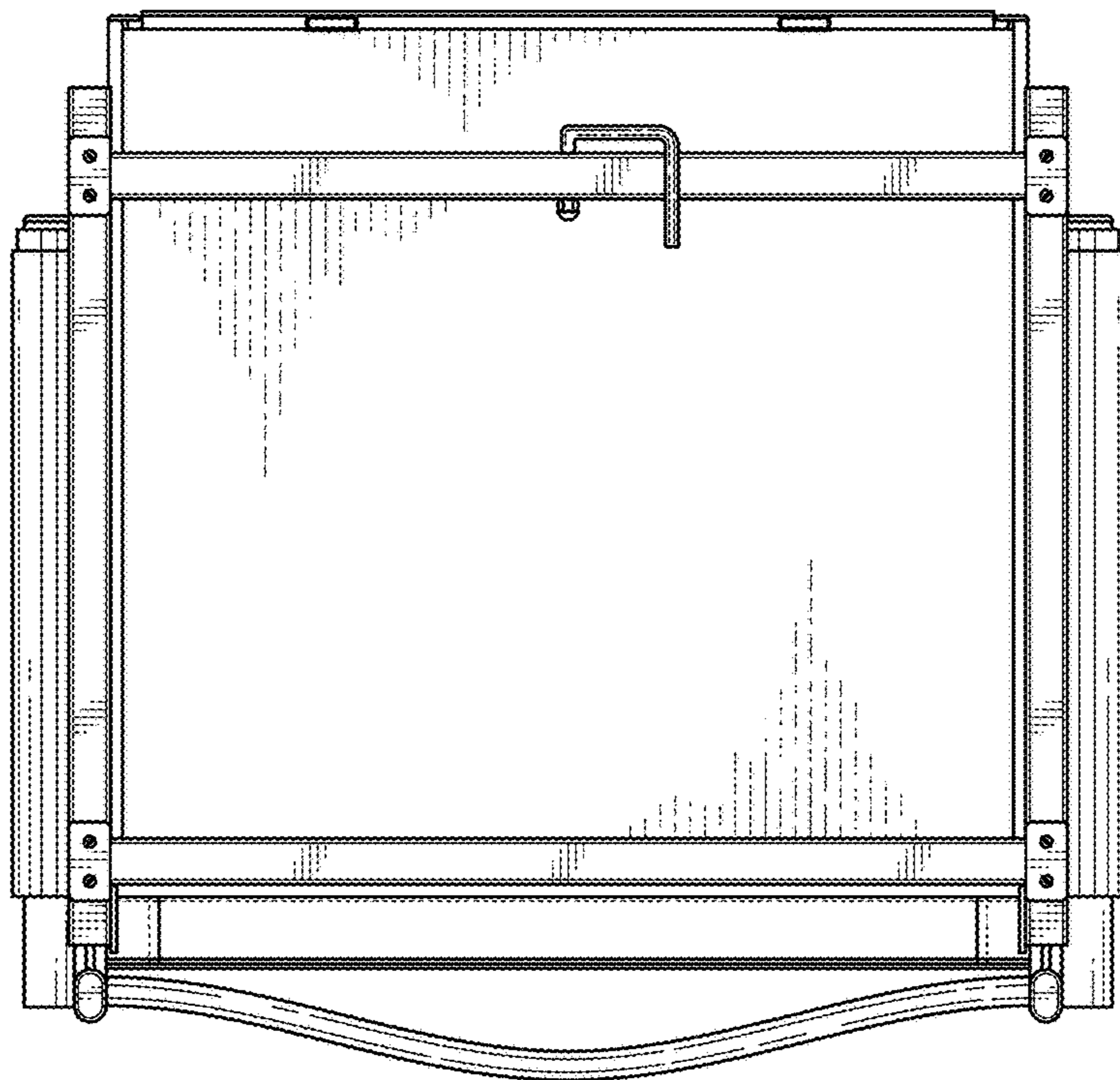


FIG. 7

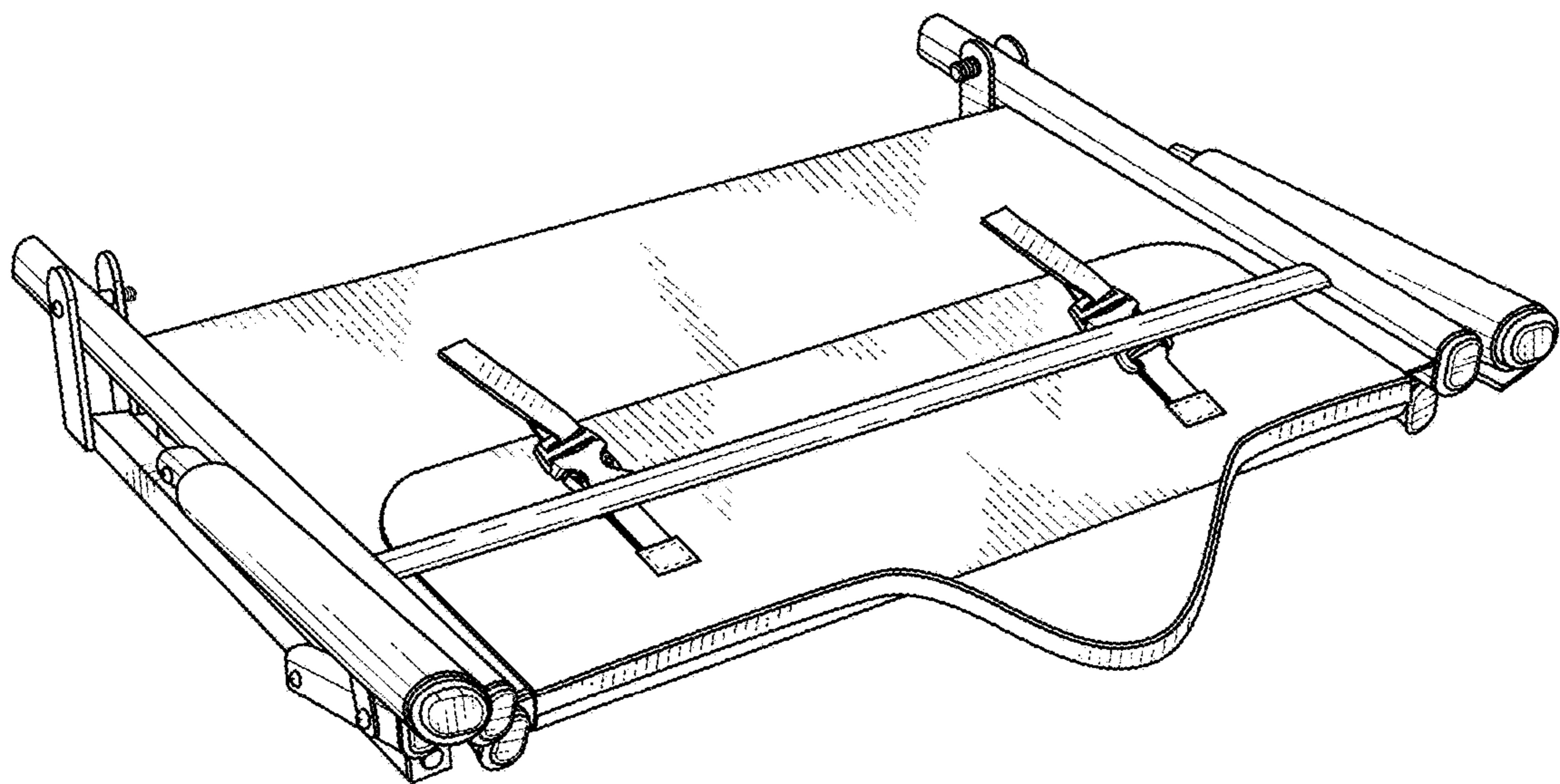


FIG. 8

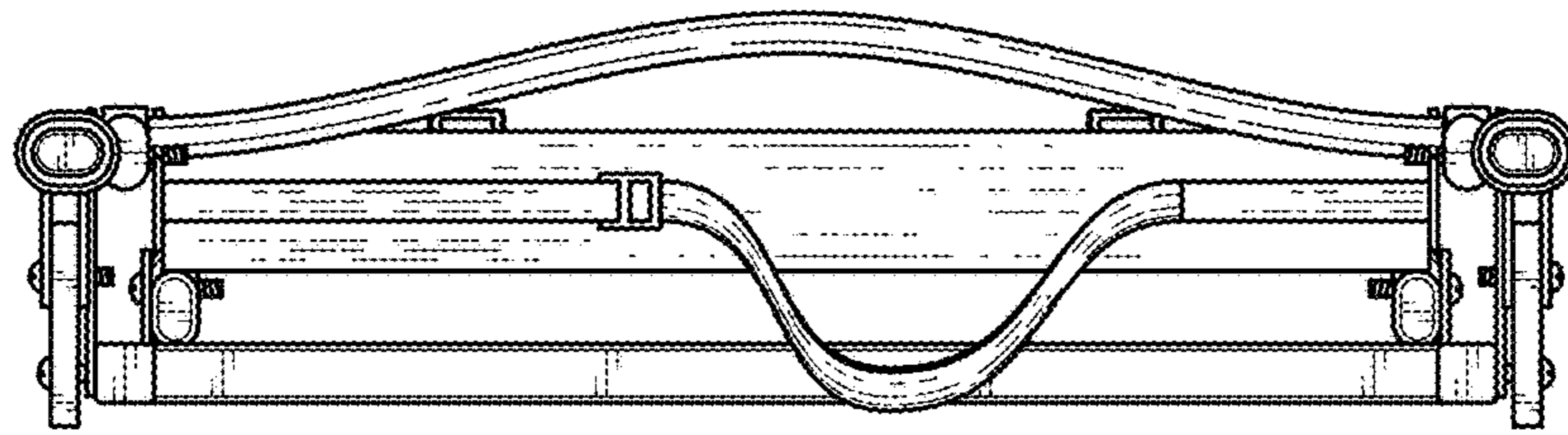


FIG. 9

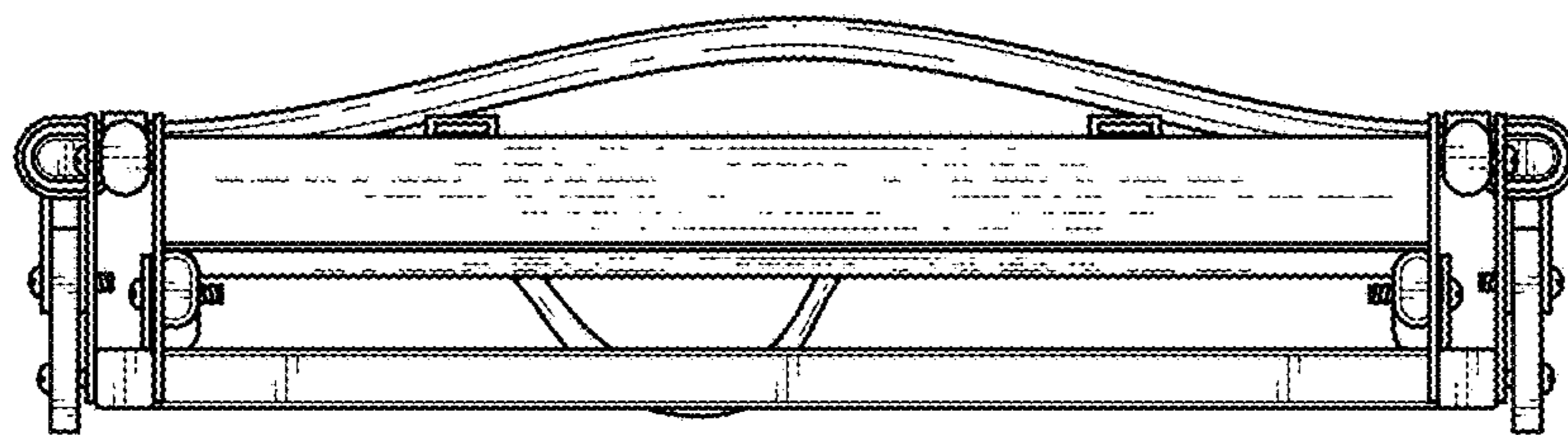


FIG. 10

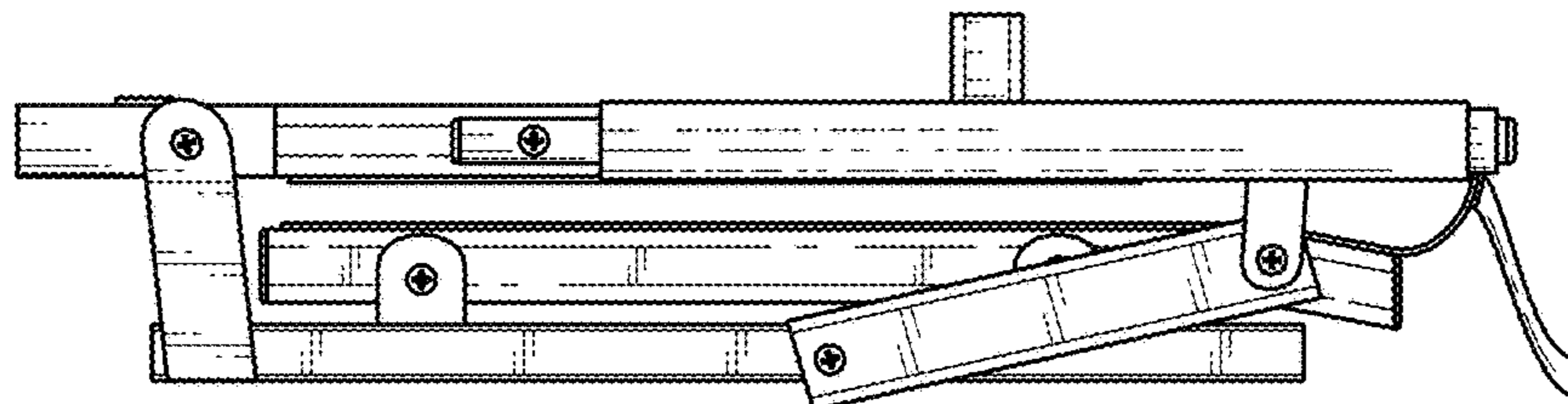


FIG. 11

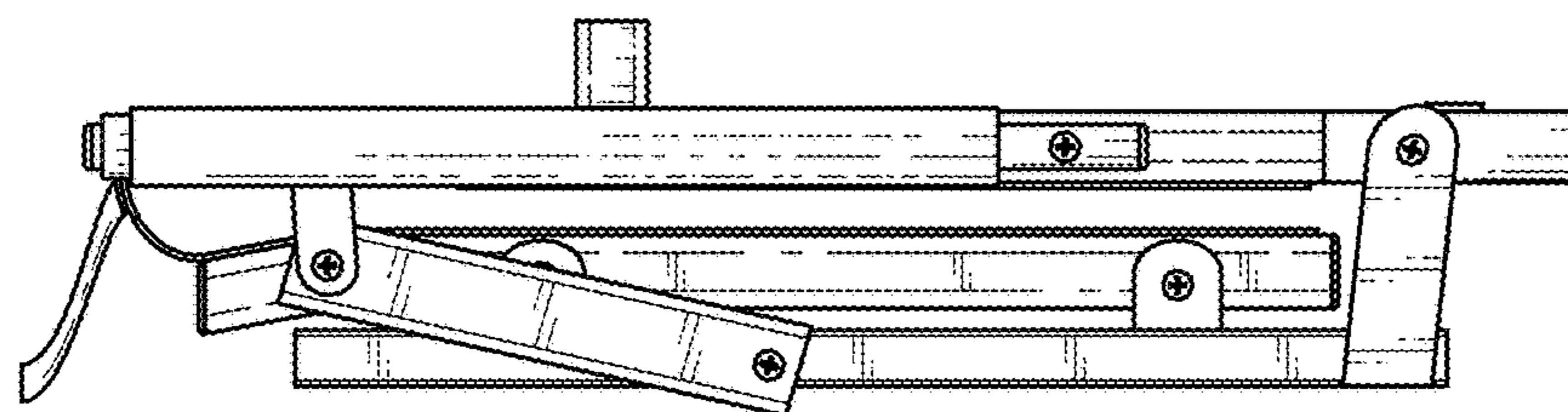


FIG. 12

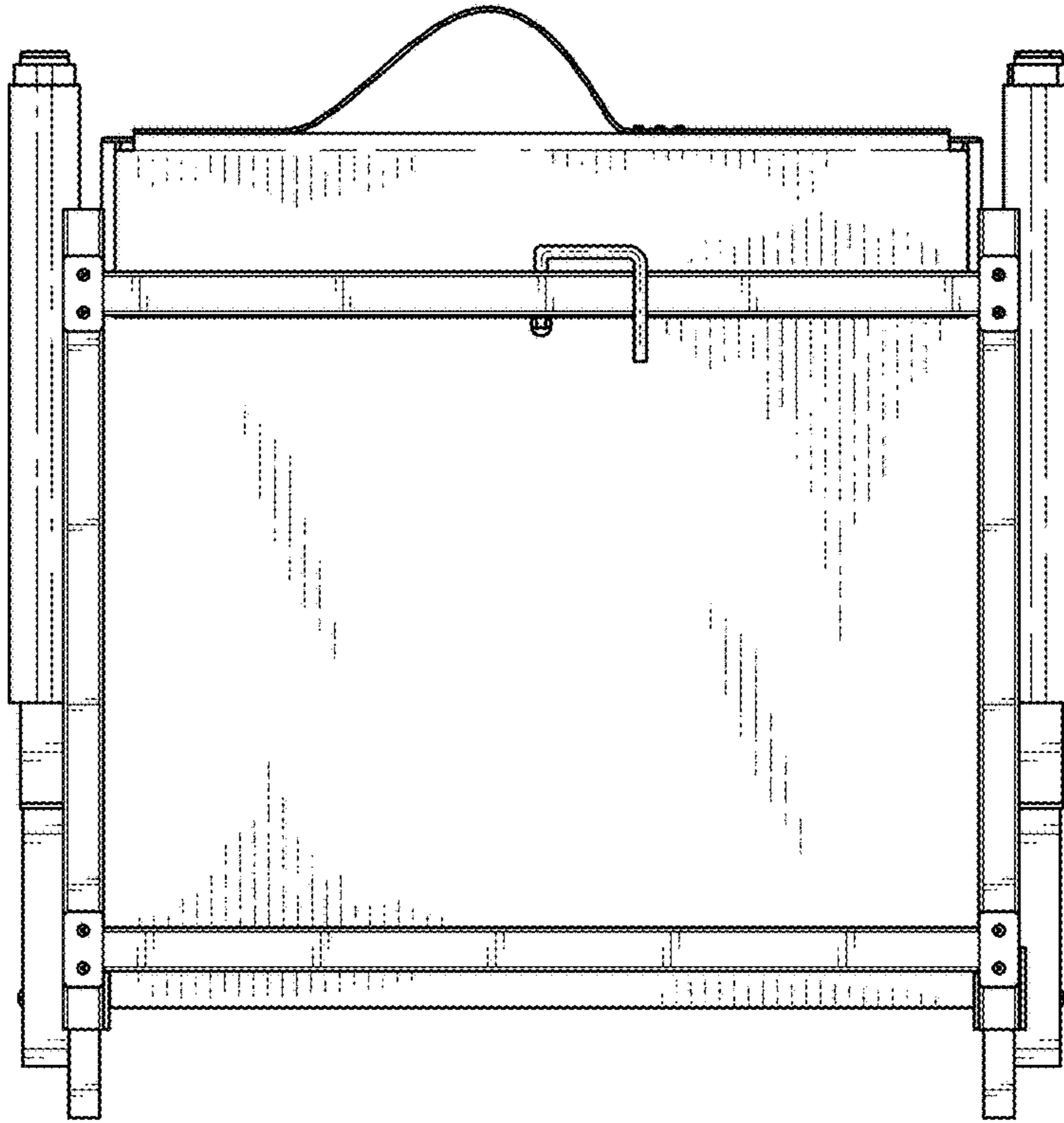


FIG. 13

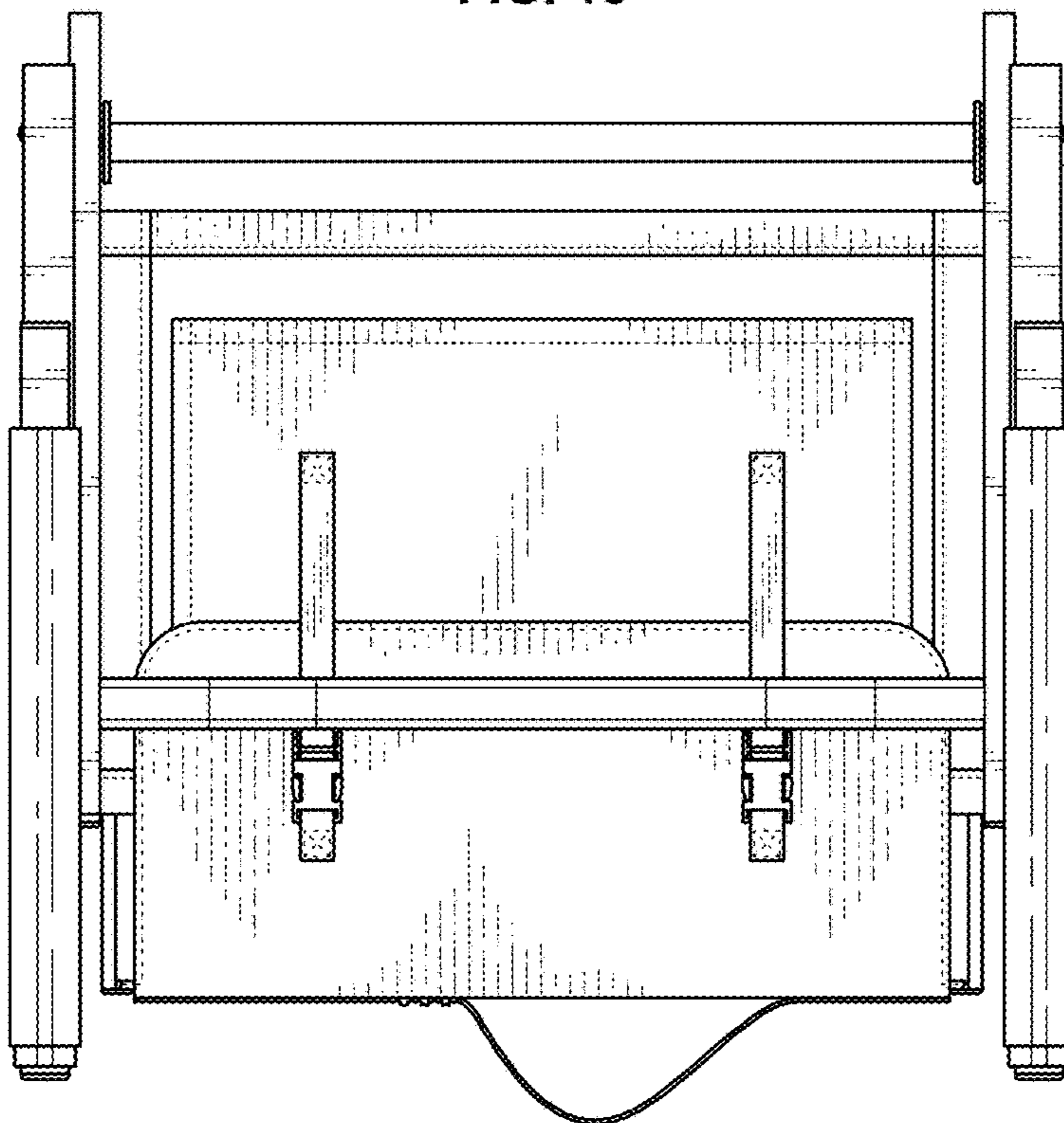


FIG. 14