



US00D814818S

(12) **United States Design Patent** (10) **Patent No.:** **US D814,818 S**
Longo (45) **Date of Patent:** **** Apr. 10, 2018**

- (54) **PROFILE SEAT**
- (71) Applicant: **Seachrome Corporation**, Long Beach, CA (US)
- (72) Inventor: **Samuel Colavin Longo**, La Canada, CA (US)
- (73) Assignee: **Seachrome Corporation**, Long Beach, CA (US)
- (**) Term: **15 Years**
- (21) Appl. No.: **29/595,076**
- (22) Filed: **Feb. 24, 2017**

D714,562 S 10/2014 Chlapaty
 D784,035 S * 4/2017 Longo D6/362
 2008/0100114 A1 5/2008 Vestweber

FOREIGN PATENT DOCUMENTS

EP 0951849 A2 10/1999

OTHER PUBLICATIONS

“Bagnosicuro—Turbocolor Removable shower seat”, Archiproducts, <http://www.archiproducts.com/en/products/143793/bagnosicuro-tubocolor-removable-hpl-shower-seat-bagnosicuro-tubocolor-removable-shower-seat-ponte-giulio.html>, screen capture Nov. 11, 2014.
 “HEWI Nylon Removable Hanging Shower Seat”, HarborCitySupply.com, <http://www.harborcitysupply.net/HEWINylonRemovableHangingShowerSeat988.76.499.aspx>, screen capture No. 11, 2014.
 “Marion Hanging Shower Seat—Off-White”, Amazon.com, <http://www.amazon.com/Marion-Hanging-Shower-Seat-Off-white/dp/B008C6C06G>, screen capture Nov. 11, 2014.

(Continued)

Related U.S. Application Data

- (63) Continuation-in-part of application No. 29/518,248, filed on Feb. 20, 2015, now Pat. No. Des. 784,035.
- (51) **LOC (11) Cl.** **06-01**
- (52) **U.S. Cl.**
USPC **D6/362**
- (58) **Field of Classification Search**
USPC D6/334–336, 355, 362, 368, 370, 716, D6/716.1, 716.4; D23/304
CPC .. A47C 4/28; A47C 5/004; A47C 9/06; A47K 3/12; A47K 3/122; A47K 3/282; E04H 4/14
See application file for complete search history.

Primary Examiner — Mimosa De

(74) *Attorney, Agent, or Firm* — Fish IP Law, LLP

(57) **CLAIM**

The ornamental design of a profile seat, as shown and described.

DESCRIPTION

FIG. 1 is a top, front, left side perspective view of a profile seat of the new design, the broken lines forming no part of the claimed design.

FIG. 2 is a front elevation view thereof.

FIG. 3 is left side elevation view thereof, the right side elevation view being a mirror image.

FIG. 4 is a rear elevation view thereof.

FIG. 5 is a top plan view thereof; and,

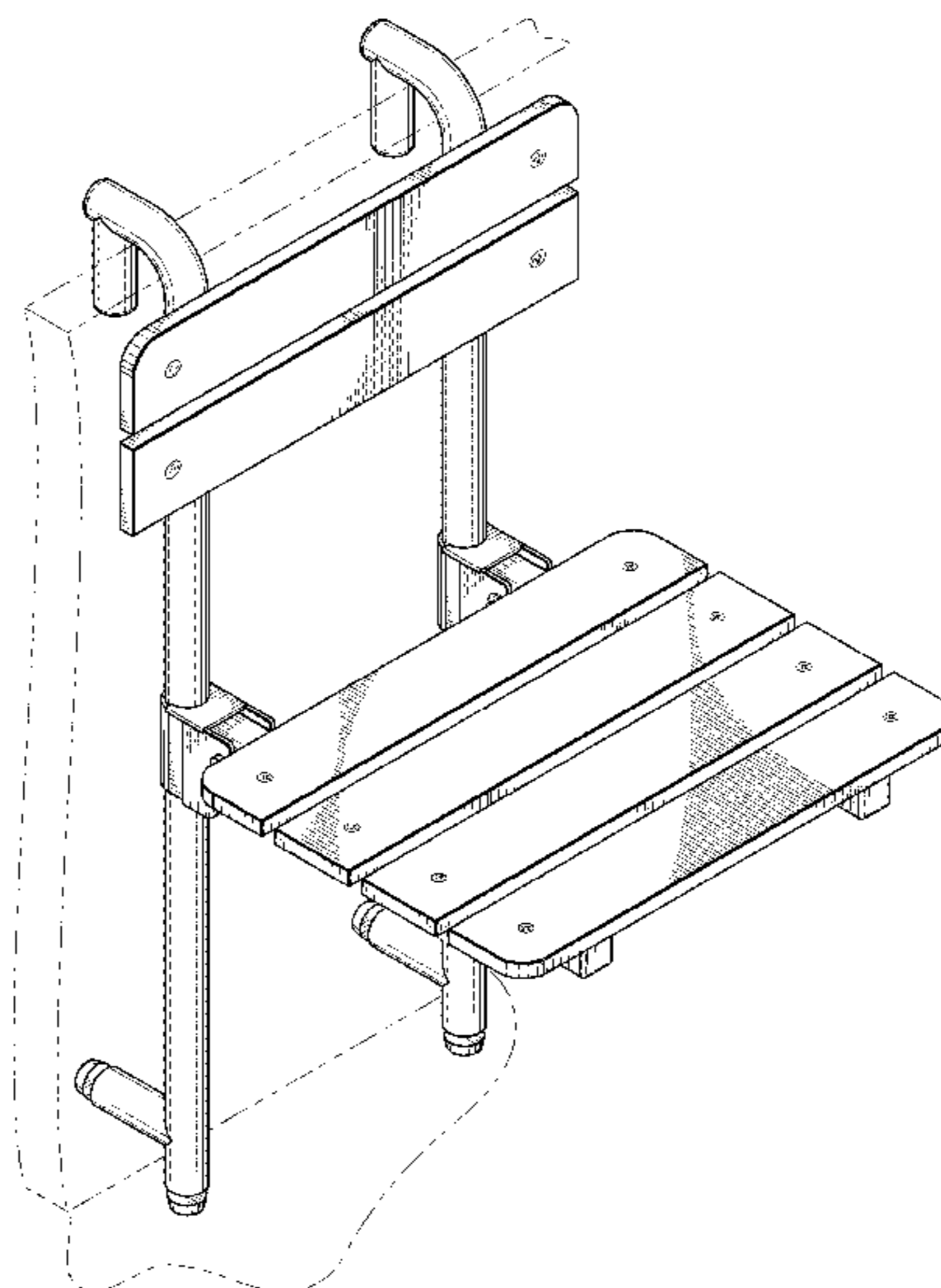
FIG. 6 is a bottom plan view thereof.

1 Claim, 6 Drawing Sheets

(56) **References Cited**

U.S. PATENT DOCUMENTS

- D203,109 S * 12/1965 Barecki et al. D6/368
- D358,263 S * 5/1995 Yoder, Jr. D6/370
- D360,023 S 7/1995 Hunger et al.
- 5,467,486 A 11/1995 Guenther
- D373,685 S * 9/1996 Yoder, Jr. D6/370
- D495,506 S * 9/2004 Self D6/362
- 7,080,417 B2 7/2006 Jiang
- D571,112 S * 6/2008 Henderson D6/362



(56)

References Cited

OTHER PUBLICATIONS

“Removable shower seat 200 series bathroom mobility aids”, Shower-trays & Bathroom, <http://www.shower-trays-and-bathroom.com/shower-trays-and-bathroom/produit/27/205/5902/Removable-shower-seat-2000-series-Bathroom-Mobility-Aids>, screen capture Nov. 11, 2014.

“Hanging Installed Shower Bench”, Sage in Home, http://sageinhome.com/sage_tips_installed_shower_benches/, screen capture Nov. 11, 2014.

“Shower Chair”, Sage Traveling, <http://www.sagetraveling.com/Wheelchair-Accessible-Hotel-Rooms-in-Istanbul>, screen captures Oct. 14, 2014.

“Shower Seat BS-888”, China-Direct-Buy.com, http://bathroom.china-direct-buy.com/v/4/product_detail/5131132/Shower_Seat_BS-888.html, screen capture Nov. 11, 2014.

“Wall Mounted Adjustable Height Shower Bench”, Alibaba.com, http://www.alibaba.com/product-detail/WALL-MOUNTED-ADJUSTABLE-HEIGHT-SHOWER-BENCH_228091221.html, screen capture Oct. 14, 2014.

* cited by examiner

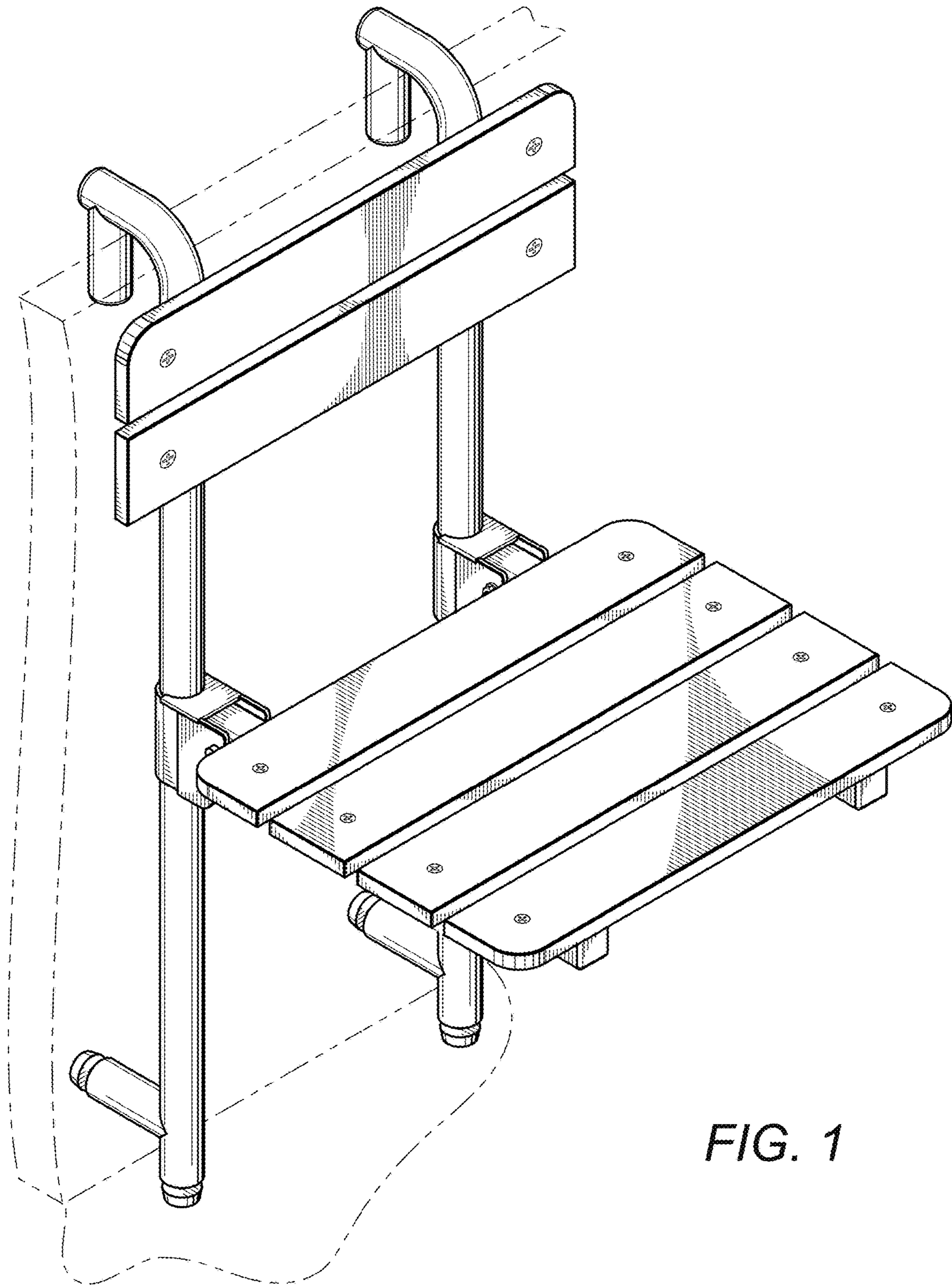


FIG. 1

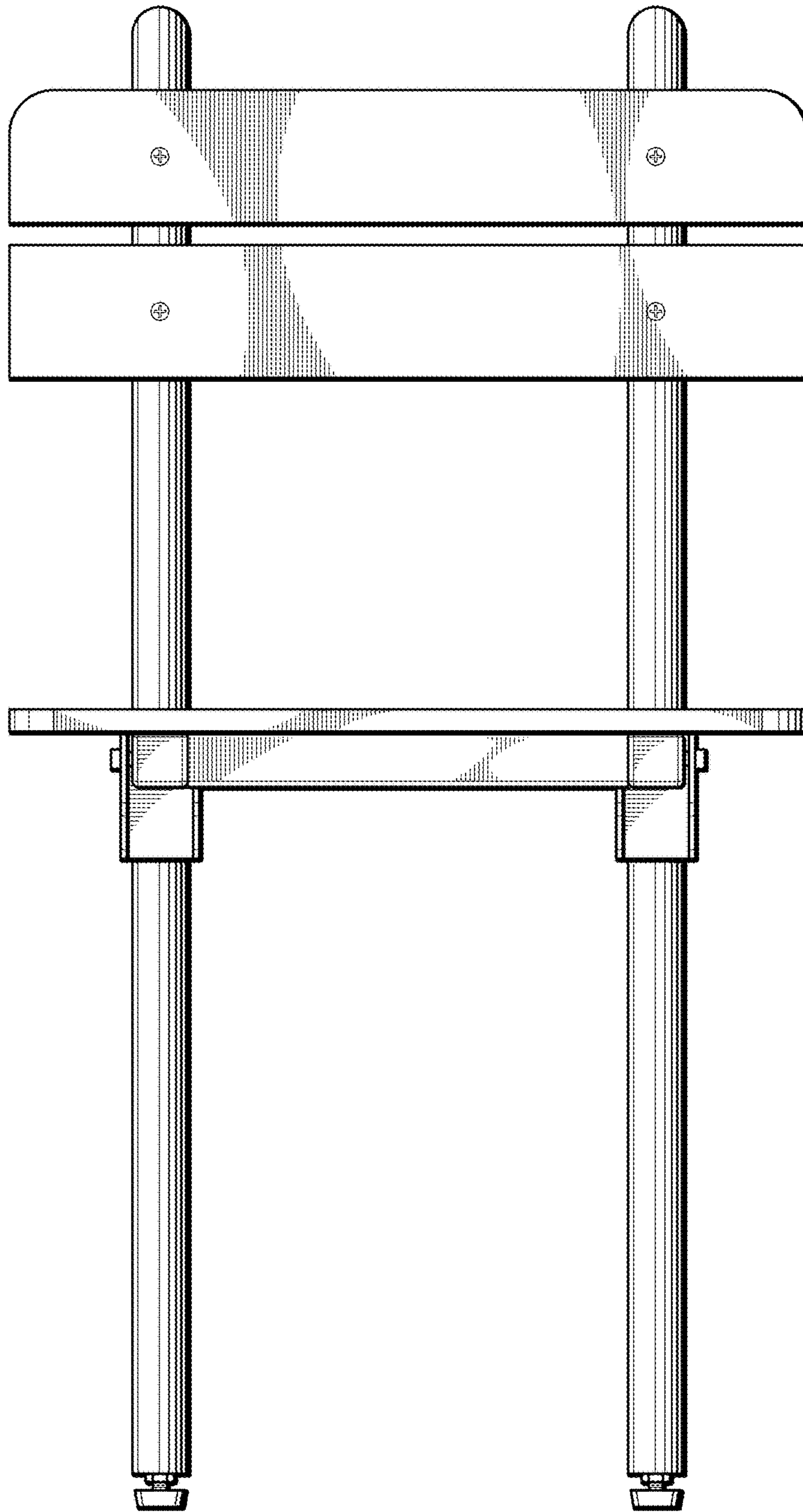


FIG. 2

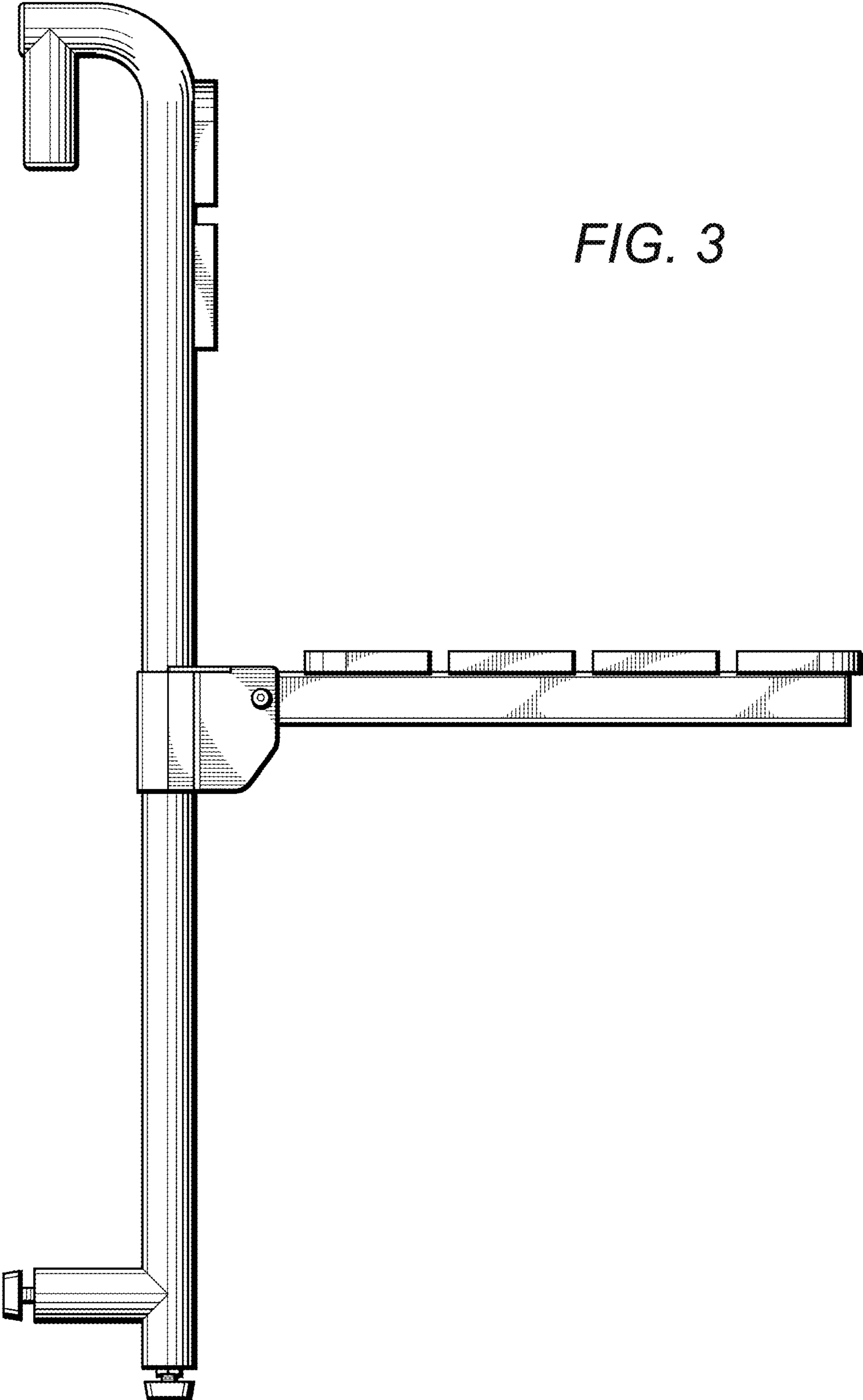


FIG. 3

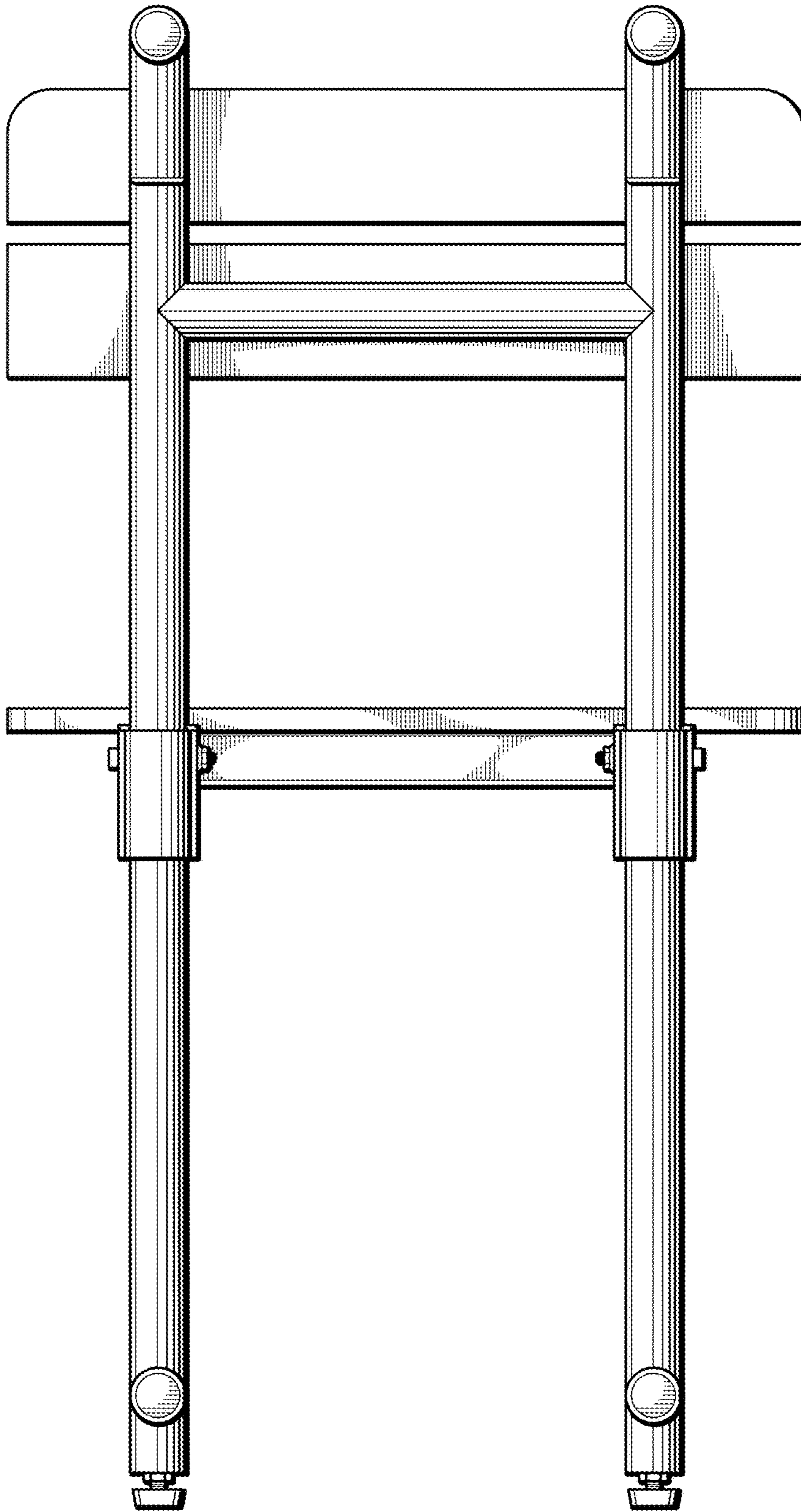


FIG. 4

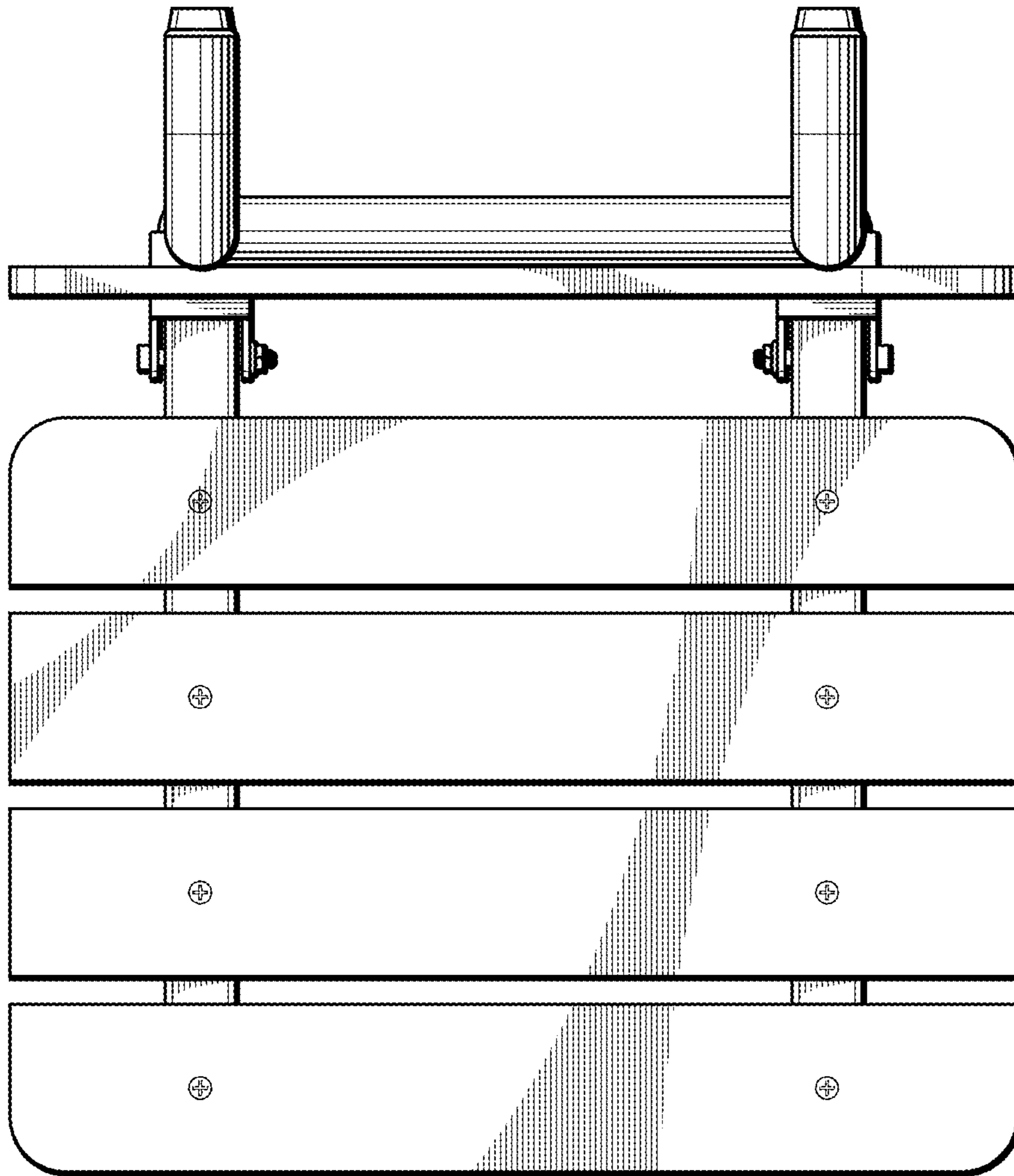


FIG. 5

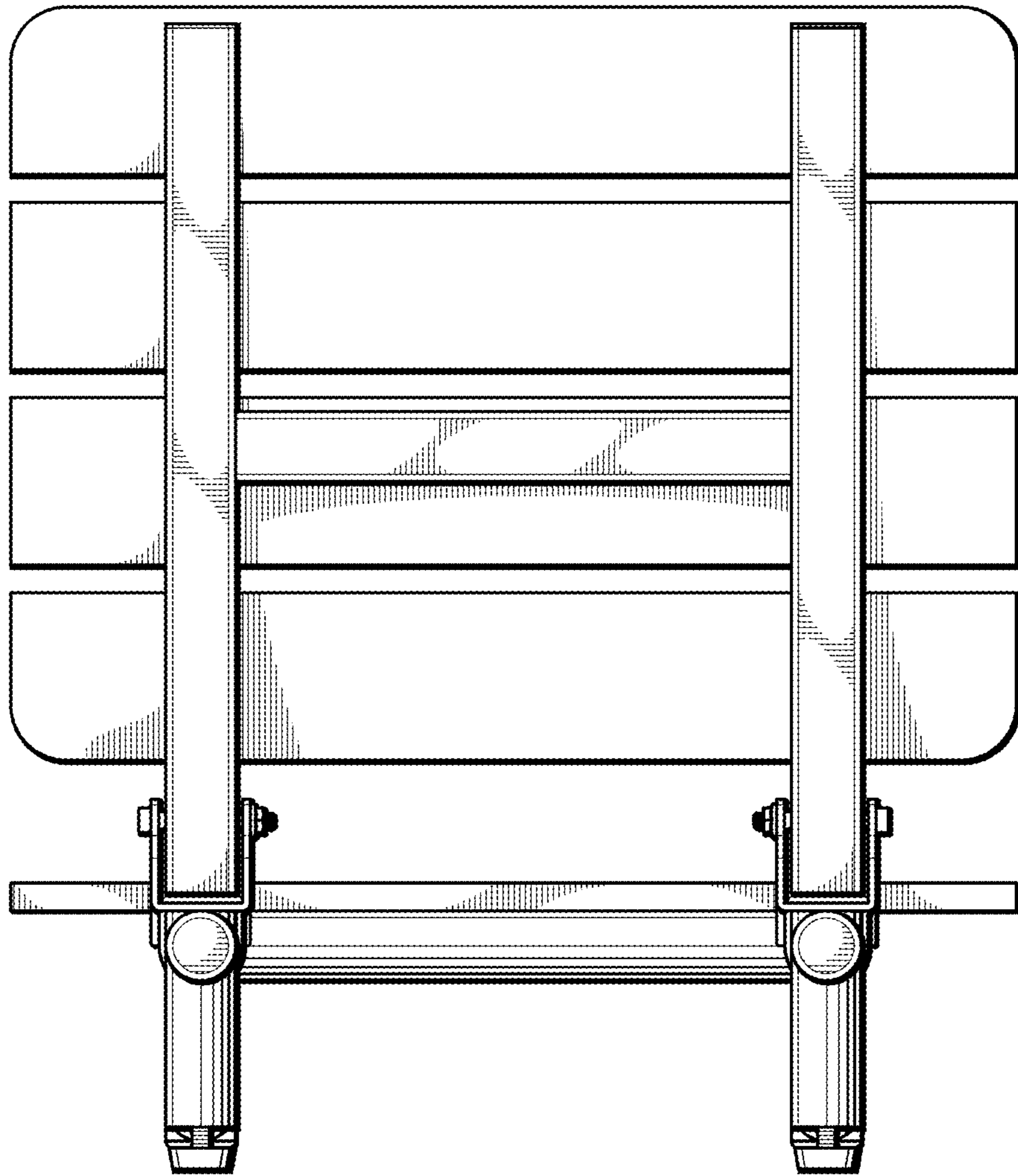


FIG. 6