



US00D814816S

(12) **United States Design Patent**  
**Lin**

(10) **Patent No.:** **US D814,816 S**  
(45) **Date of Patent:** **\*\* Apr. 10, 2018**

- (54) **CHAIR COUPLING ASSEMBLY**
- (71) Applicant: **Zhuhai Shichang Metals Ltd., Zhuhai (CN)**
- (72) Inventor: **Wen-Sheng Lin, Kaohsiung (TW)**
- (73) Assignee: **Zhuhai Shichang Metals Ltd., Zhuhai (CN)**
- (\*\*) Term: **15 Years**
- (21) Appl. No.: **29/543,772**
- (22) Filed: **Oct. 28, 2015**
- (51) **LOC (11) Cl.** ..... **06-01**
- (52) **U.S. Cl.**  
USPC ..... **D6/362**
- (58) **Field of Classification Search**  
USPC ..... D3/216, 274, 276; D6/334-336, D6/360-381, 716, 716.1-716.4; D8/382  
CPC ..... A45C 9/00; A45F 3/04; A45F 4/02; A47C 1/16; A47C 1/124; A47C 1/146; A47C 3/04; A47C 4/00; A47C 4/28; A47C 4/30; A47C 4/38; A47C 4/42; A47C 4/48; A47C 4/52; A47C 4/283; A47C 4/286; A47C 5/005; A47C 7/16; A47C 7/282; A47C 9/10; A47C 31/00; A47B 87/007; F16M 11/38  
See application file for complete search history.

- 4,400,031 A \* 8/1983 DeDecker ..... A47C 3/04 108/91
  - 4,978,168 A 12/1990 Piretti
  - D363,658 S \* 10/1995 Barile ..... D8/382
  - 5,957,530 A \* 9/1999 Gutgsell ..... A47C 1/124 297/232
  - 6,749,259 B2 \* 6/2004 Ware ..... A47C 1/124 297/232
  - 7,111,902 B1 \* 9/2006 Conner ..... A47C 1/124 297/248
  - 9,226,592 B2 \* 1/2016 Lin ..... A47C 31/00
  - 9,826,832 B2 \* 11/2017 Lin ..... A47B 87/007
- (Continued)

*Primary Examiner* — Ricky Pham  
(74) *Attorney, Agent, or Firm* — Luedeka Neely Group PC

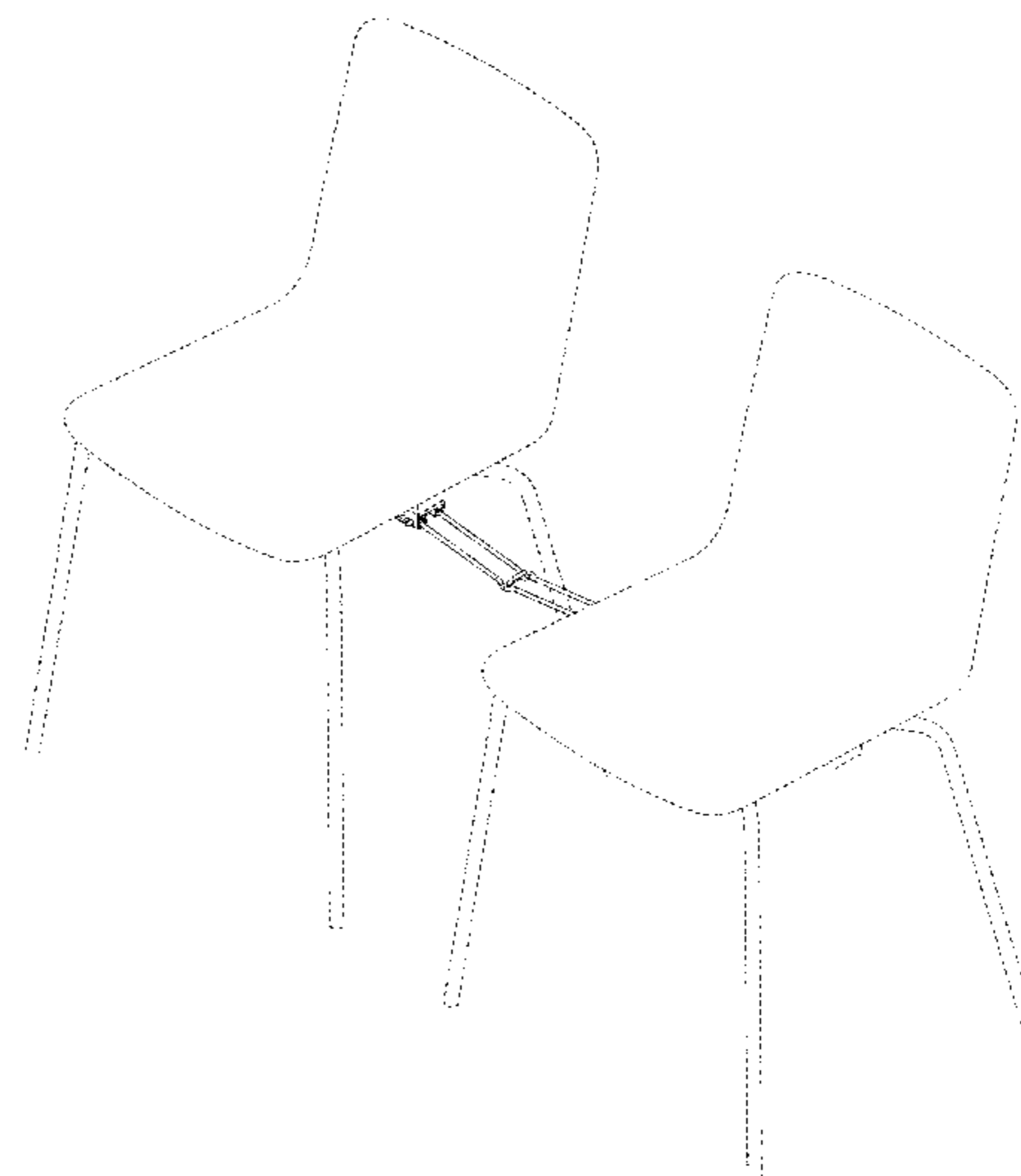
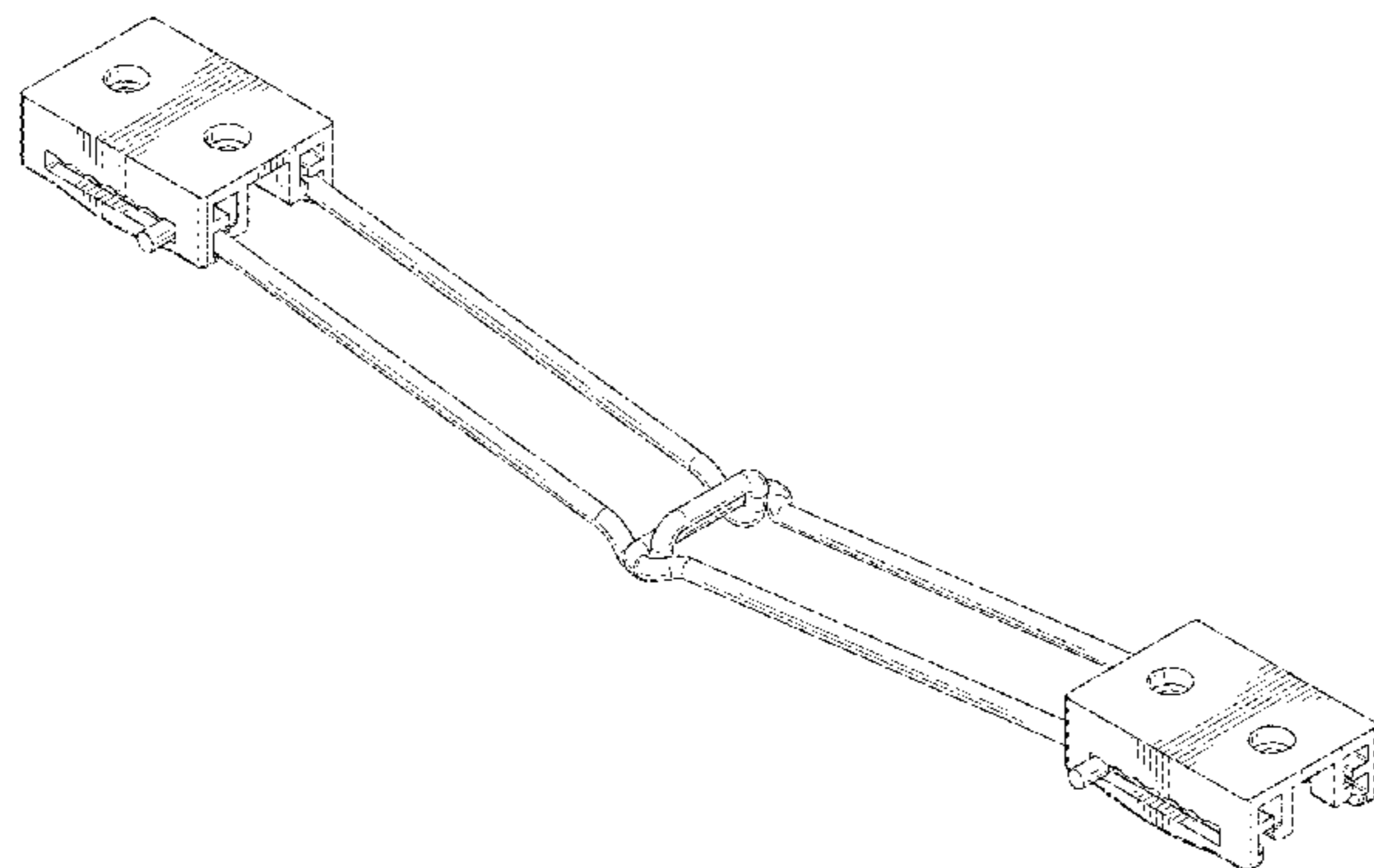
(57) **CLAIM**

The ornamental design for a chair coupling assembly, as shown and described.

**DESCRIPTION**

FIG. 1 is a top perspective view of the chair coupling assembly;  
FIG. 2 is a top plan view of the chair coupling assembly;  
FIG. 3 is a bottom plan view of the chair coupling assembly;  
FIG. 4 is a front elevation view of the chair coupling assembly;  
FIG. 5 is a rear elevation view of the chair coupling assembly;  
FIG. 6 is a left side elevation view of the chair coupling assembly;  
FIG. 7 is a right side elevation view of the chair coupling assembly; and,  
FIG. 8 is a top perspective view of two chairs joined by the chair coupling assembly.  
The broken lines shown in the figures are included for the purpose of illustrating environment and form no part of the claimed design.

**1 Claim, 5 Drawing Sheets**



(56)

**References Cited**

U.S. PATENT DOCUMENTS

2005/0012371 A1\* 1/2005 Mendenhall ..... A47C 1/124  
297/248  
2012/0013156 A1\* 1/2012 Tsai ..... A47C 1/124  
297/248  
2014/0152059 A1 6/2014 Swy  
2014/0361588 A1 12/2014 Romero

\* cited by examiner

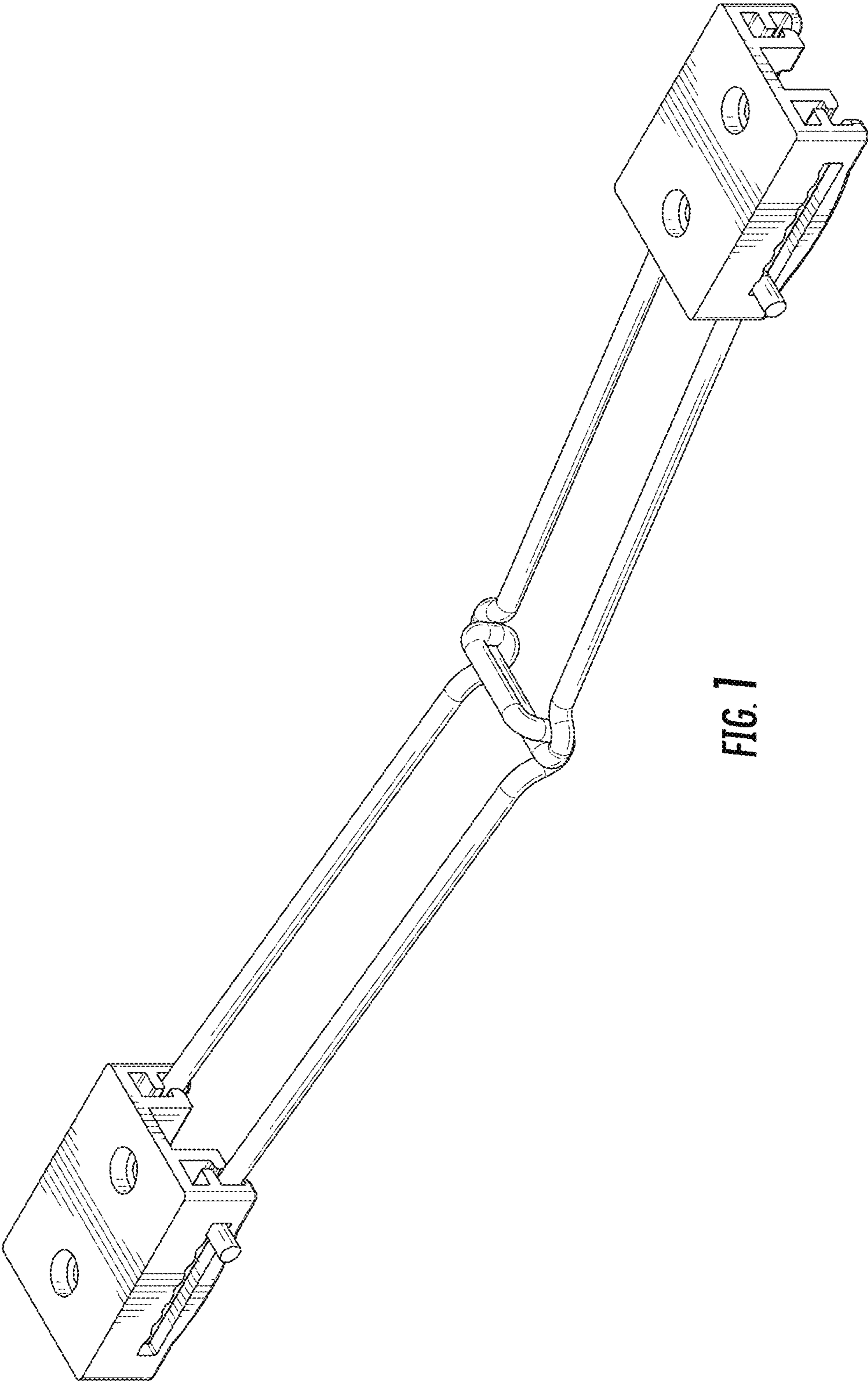


FIG. 1

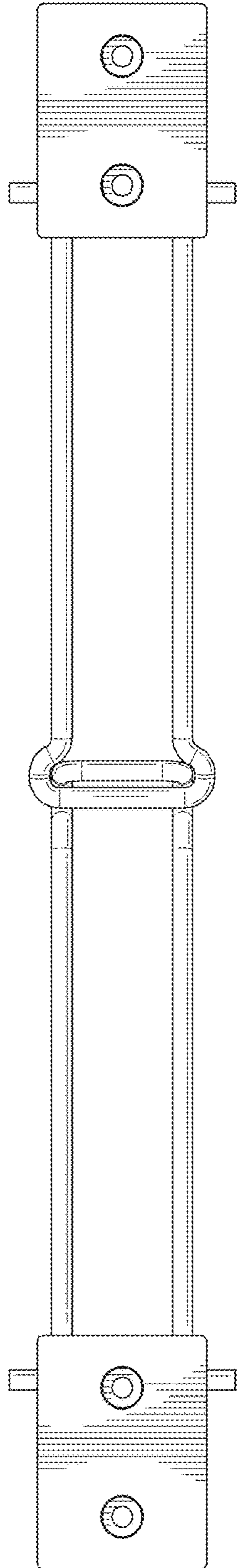


FIG. 2

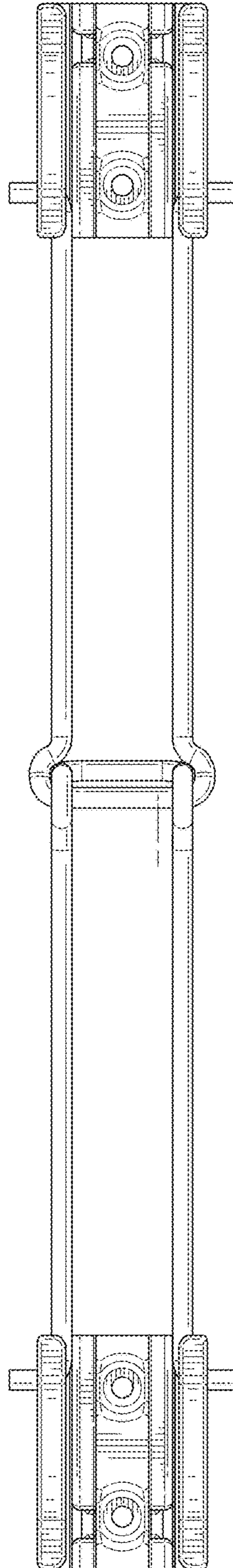


FIG. 3

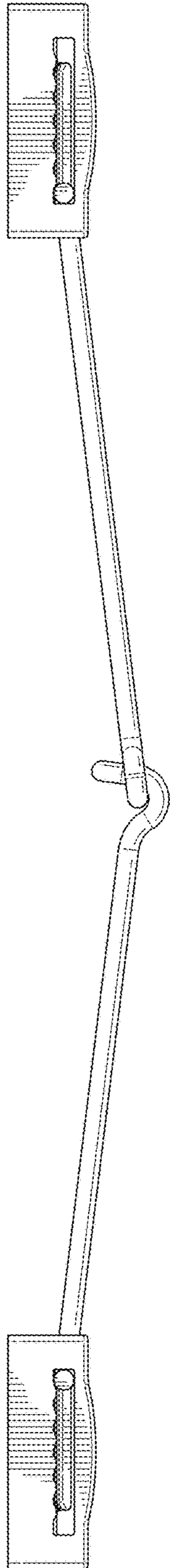


FIG. 4

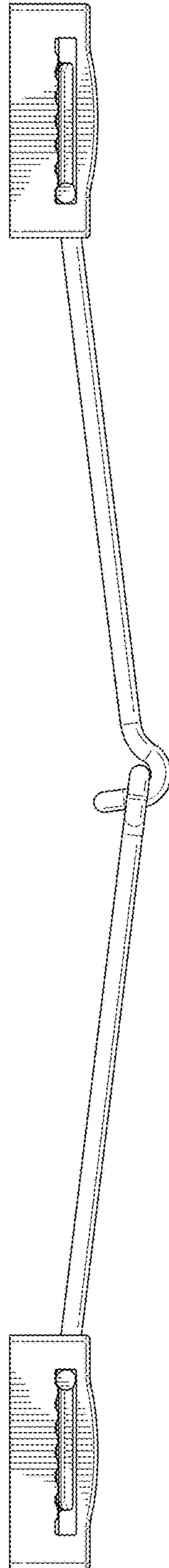
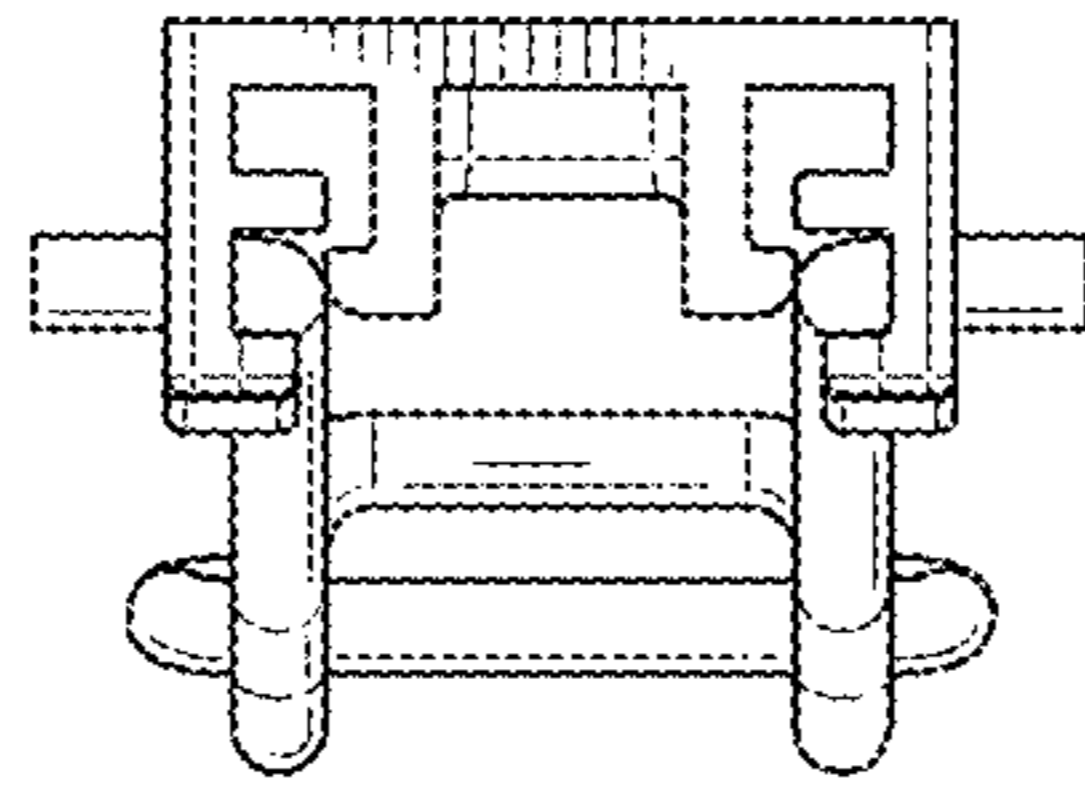
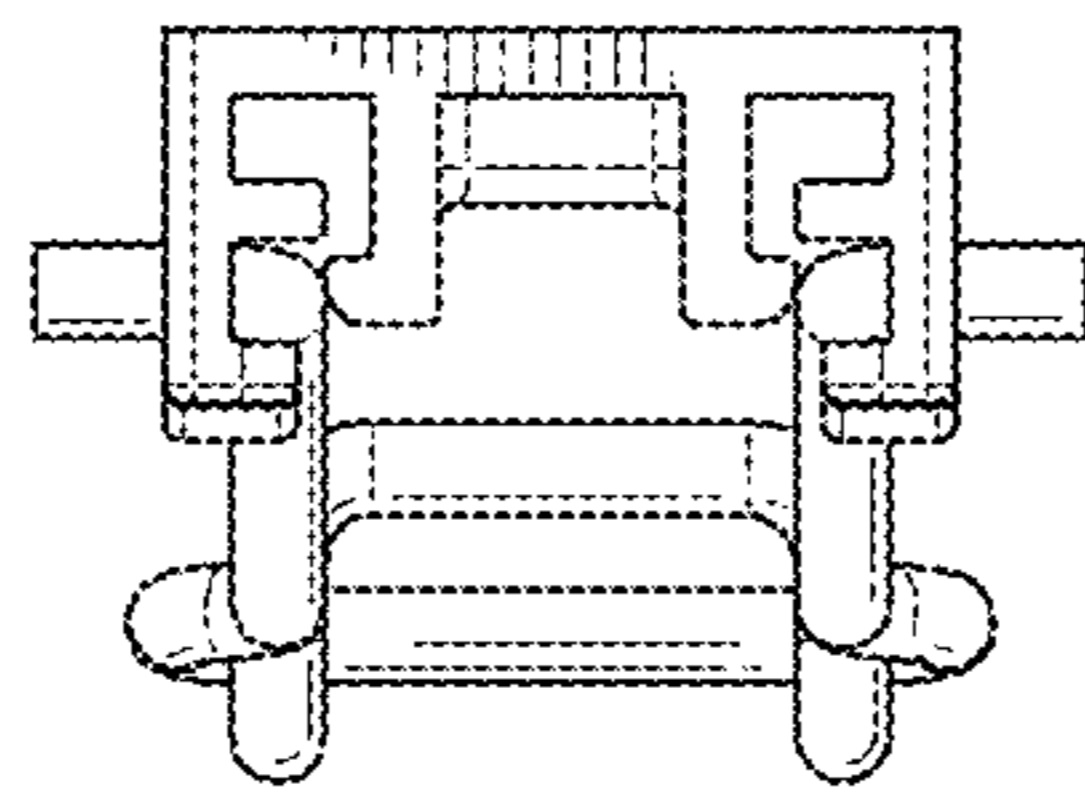


FIG. 5



**FIG. 6**



**FIG. 7**

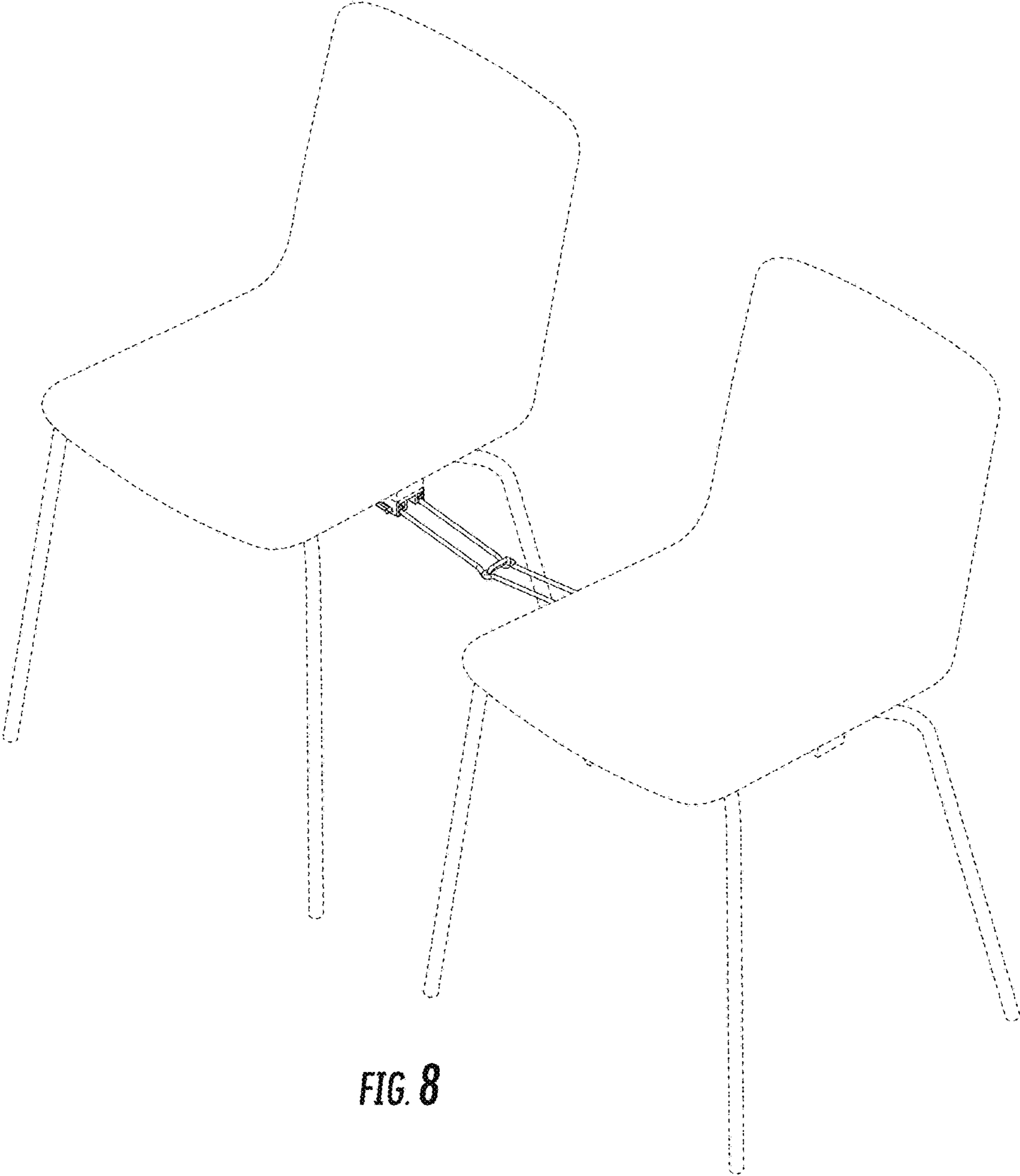


FIG. 8