



US00D814815S

(12) **United States Design Patent**
Velez

(10) **Patent No.:** **US D814,815 S**
(45) **Date of Patent:** **** Apr. 10, 2018**

(54) **CHAIR**

(71) Applicant: **Holly Hunt Enterprises, Inc.**, Chicago, IL (US)

(72) Inventor: **Alberto Velez**, Chicago, IL (US)

(73) Assignee: **Holly Hunt Enterprises, Inc.**, Chicago, IL (US)

(**) Term: **15 Years**

(21) Appl. No.: **29/574,018**

(22) Filed: **Aug. 11, 2016**

(51) **LOC (11) Cl.** **06-01**

(52) **U.S. Cl.**
USPC **D6/361**

(58) **Field of Classification Search**
USPC D6/380, 381, 334, 333, 344, 348, D6/360-366, 374, 377, 369-371, 708, D6/716, 369-371; D12/52; D21/521, D21/534-539, 674, 676, 687, 688, 690, D21/828; D11/184; D23/292
CPC A47C 1/14; A47C 1/16; A47C 1/02; A47C 1/146; A47C 1/143; A47C 1/0342; A47C 3/00; A47C 3/04; A47C 3/16; A47C 3/18; A47C 3/14; A47C 4/04; A47C 4/24; A47C 4/50; A47C 4/54; A47C 4/00; A47C 5/04; A47C 5/12; A47C 7/70; A47C 7/744; A47C 7/18; A47C 7/62; A47C 7/54; A47C 7/506; A47C 15/008; A47C 27/086; A47C 31/11; A47D 1/10; B65B 31/04

See application file for complete search history.

(56) **References Cited**

U.S. PATENT DOCUMENTS

2,728,376 A * 12/1955 Halde A47C 1/143
297/22
2,834,400 A * 5/1958 Hebert A47C 4/50
297/29

D267,601 S * 1/1983 Hickey D6/361
D280,276 S * 8/1985 McKay D6/361
D287,552 S * 1/1987 Vanderminden D6/361
D291,507 S * 8/1987 Colby D6/361
D306,804 S * 3/1990 Frinier D6/361
5,297,850 A * 3/1994 Guleserian A47C 1/143
297/377
6,082,820 A * 7/2000 Jeng A47C 1/143
297/326
D509,967 S * 9/2005 Nardi D6/361
D518,655 S * 4/2006 Grosfillex D6/361
7,192,091 B1 * 3/2007 Ping Sheng A47C 1/143
297/378.1

(Continued)

Primary Examiner — Kevin K Rudzinski

Assistant Examiner — Paul D Bohannon

(74) *Attorney, Agent, or Firm* — Blank Rome LLP

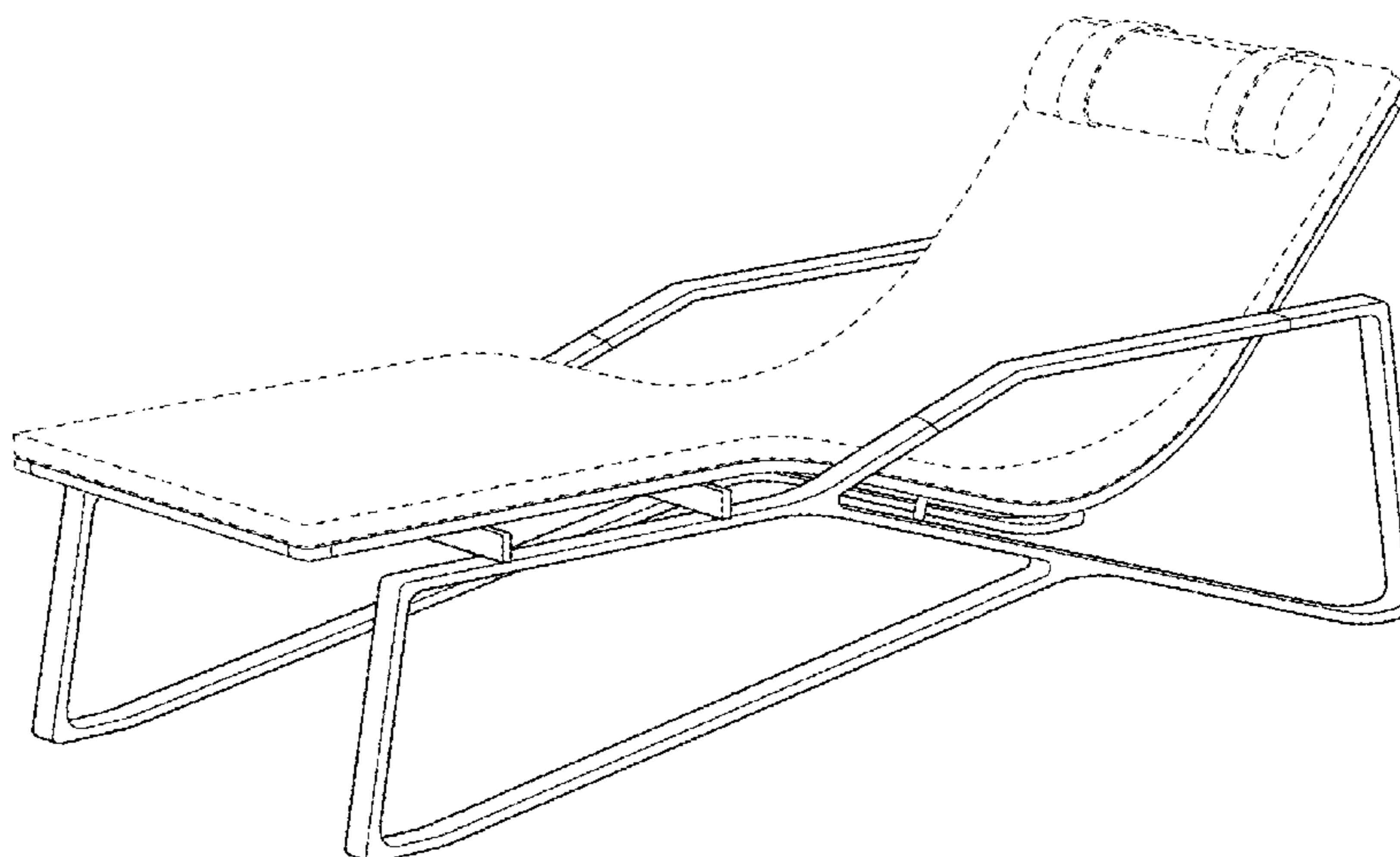
(57) **CLAIM**

The ornamental design for a chair, as shown and described.

DESCRIPTION

FIG. 1 is a front perspective view of a chair in accordance with the present design;
FIG. 2 is a rear perspective view of the chair illustrated in FIG. 1;
FIG. 3 is an exploded view of the chair illustrated in FIG. 1;
FIG. 4 is a left side view of the chair illustrated in FIG. 1;
FIG. 5 is a front view of the chair illustrated in FIG. 1;
FIG. 6 is a rear view of the chair illustrated in FIG. 1;
FIG. 7 is a top plan view of the chair illustrated in FIG. 1; and,
FIG. 8 is a bottom plan view of the chair illustrated in FIG. 1.
The broken lines in the figures illustrate environmental structure and form no part of the claimed design.

1 Claim, 6 Drawing Sheets



(56)

References Cited

U.S. PATENT DOCUMENTS

D594,240	S *	6/2009	Udoff	D6/361
D667,648	S *	9/2012	Le Gal	D6/361
D707,049	S *	6/2014	Asner	D6/361
D720,938	S *	1/2015	Gerspach	D6/348
D733,443	S *	7/2015	Griffin	D6/361
D783,299	S *	4/2017	Cochran	D6/361
2006/0202523	A1 *	9/2006	Wells	A47C 7/70 297/148
2009/0127909	A1 *	5/2009	Caldwell	A47C 1/143 297/354.12
2009/0146468	A1 *	6/2009	Schneider	A47C 1/0342 297/75
2012/0223549	A1 *	9/2012	Broyles	A47C 7/744 297/180.15

* cited by examiner

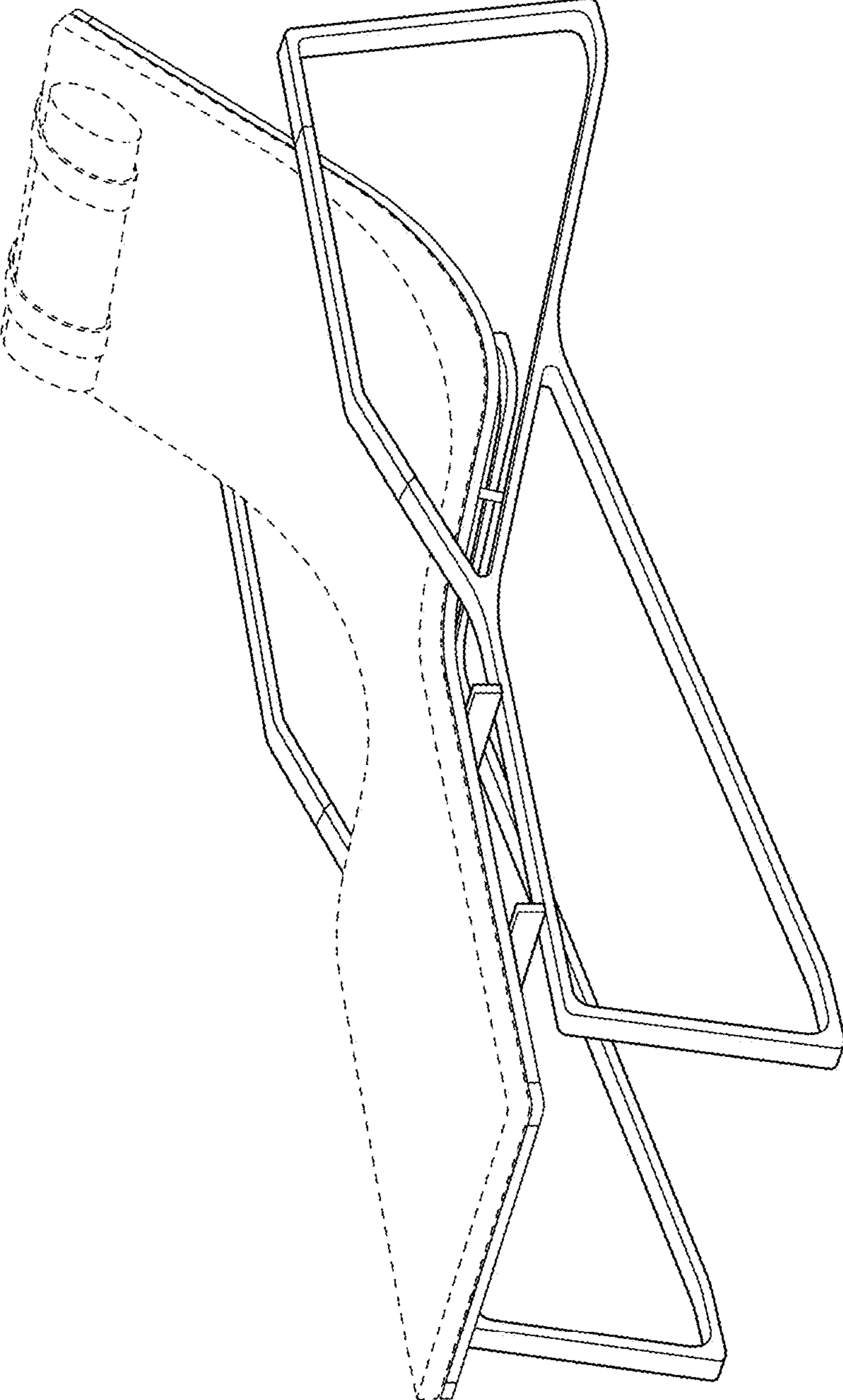


FIG. 1

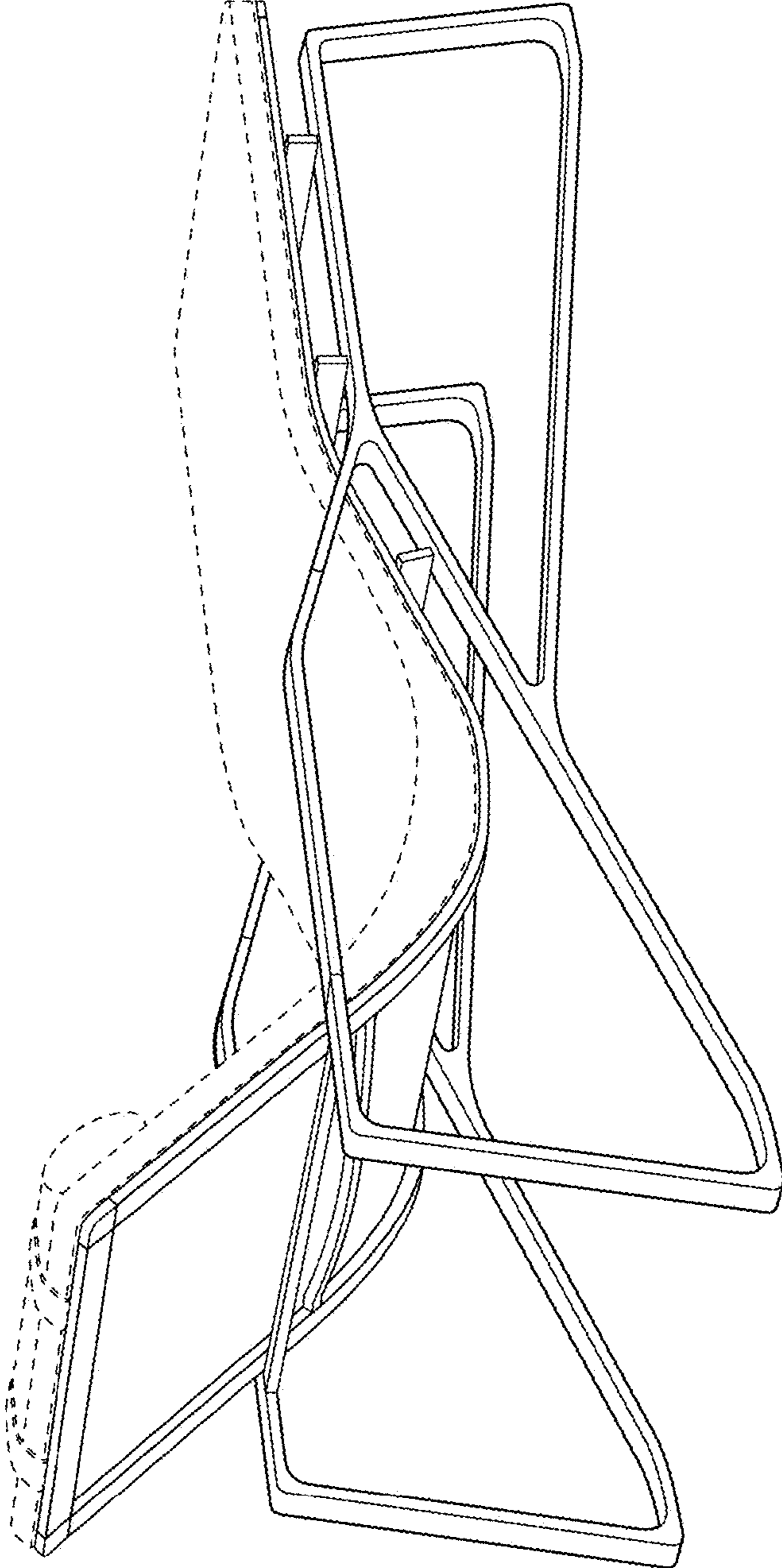


FIG. 2

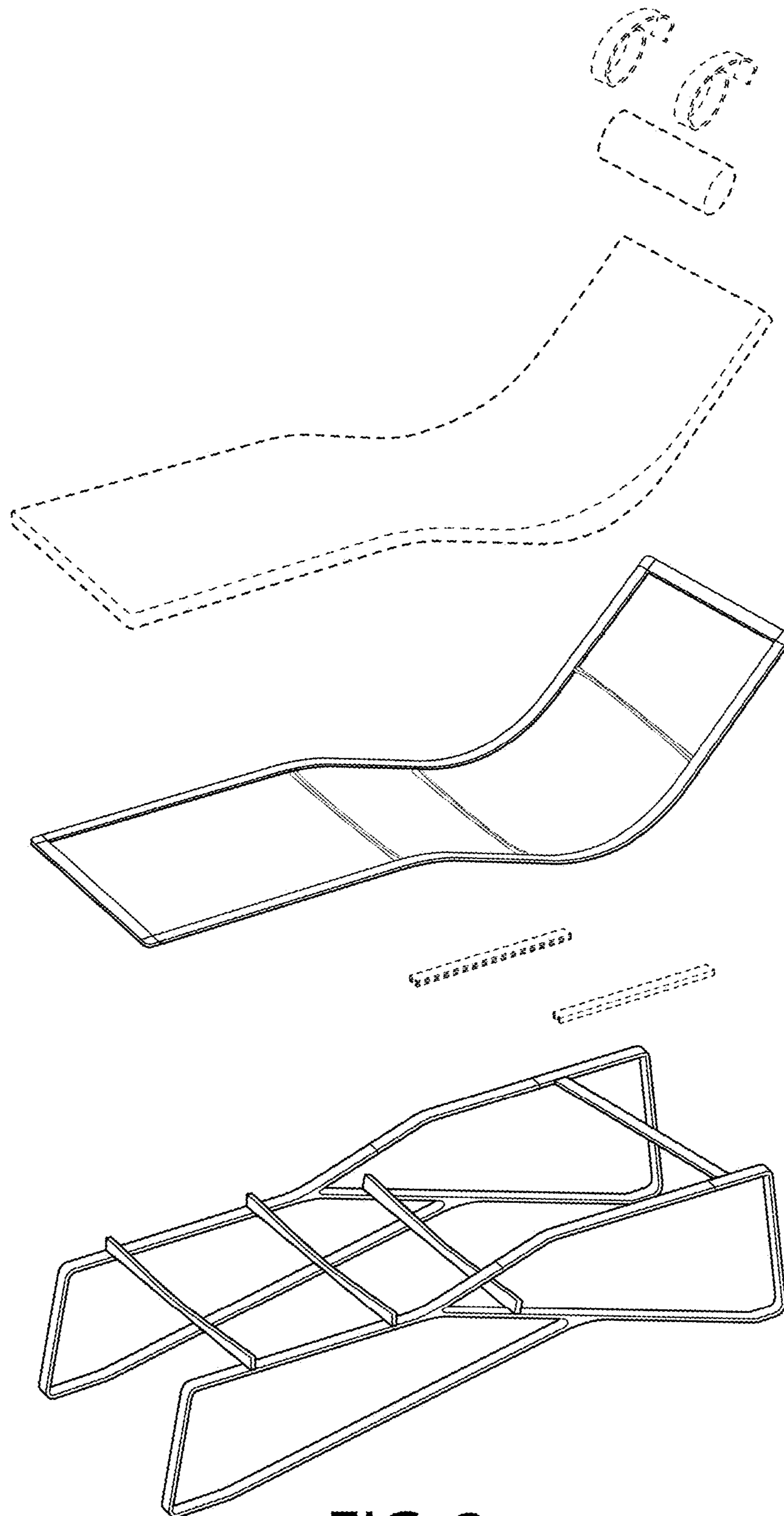


FIG. 3

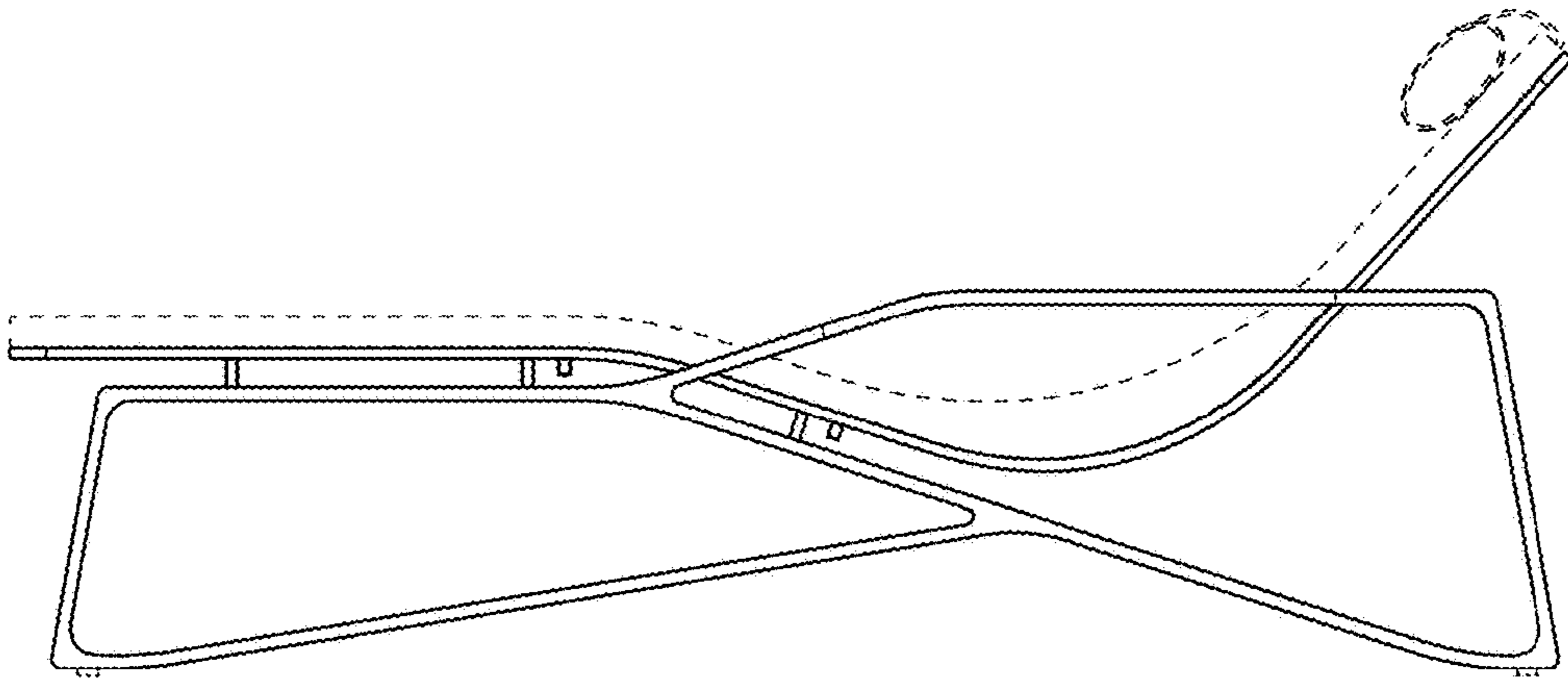


FIG. 4

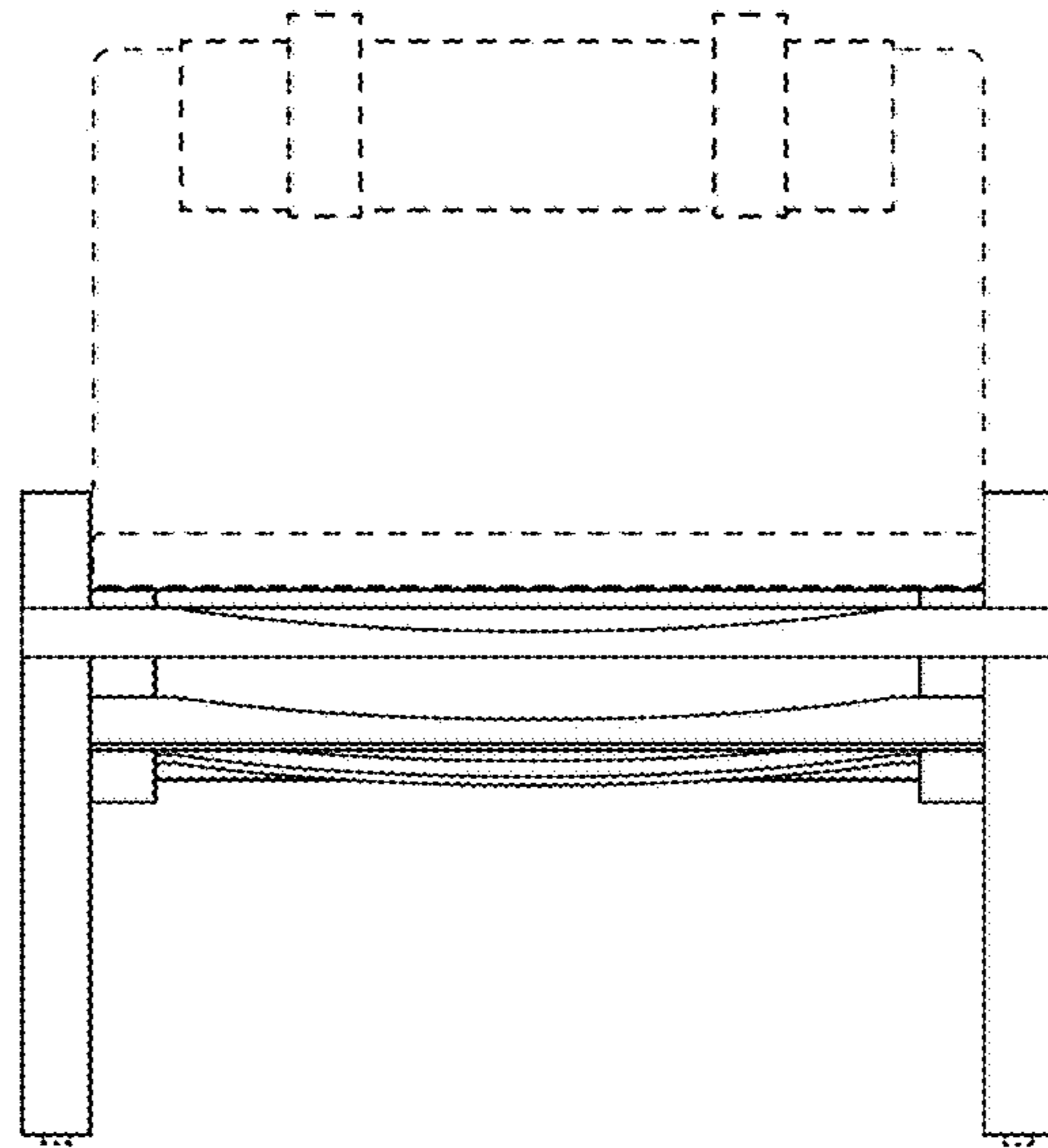


FIG. 5

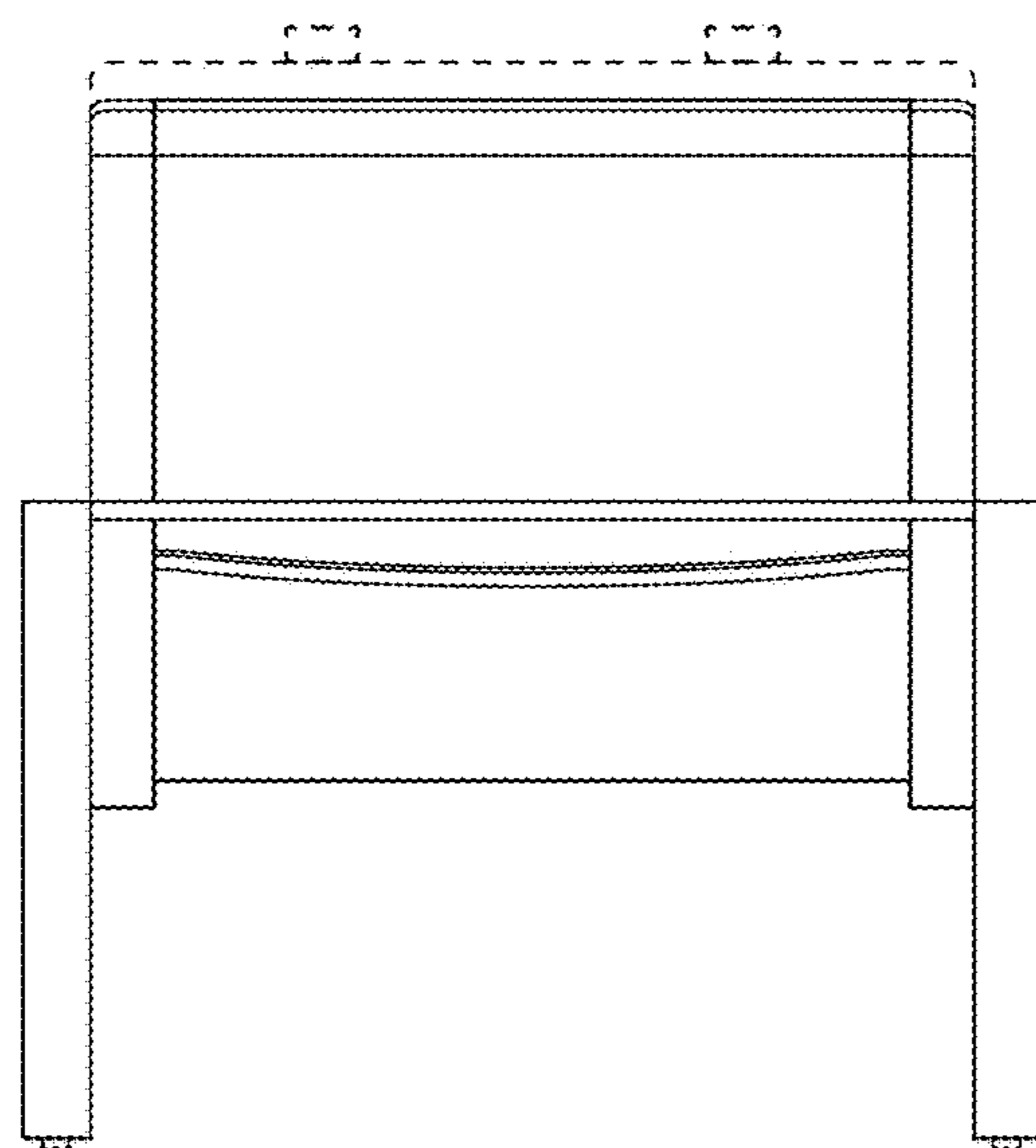


FIG. 6

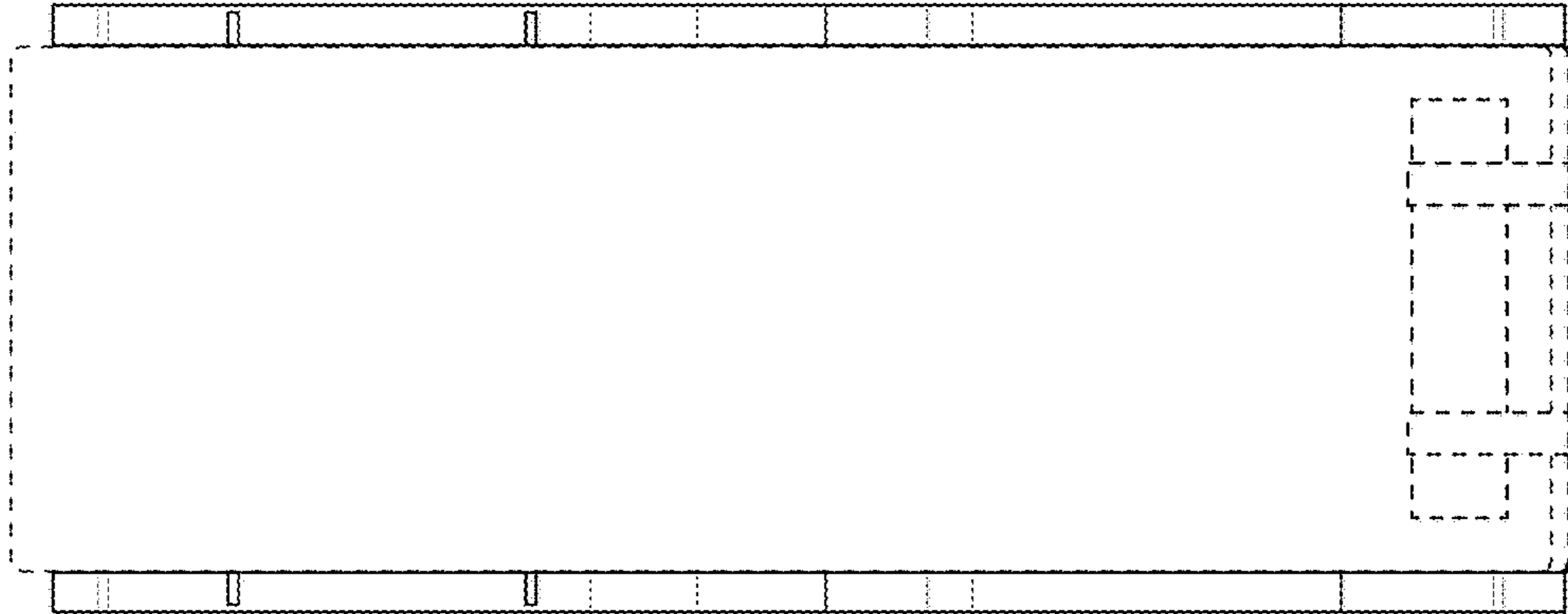


FIG. 7

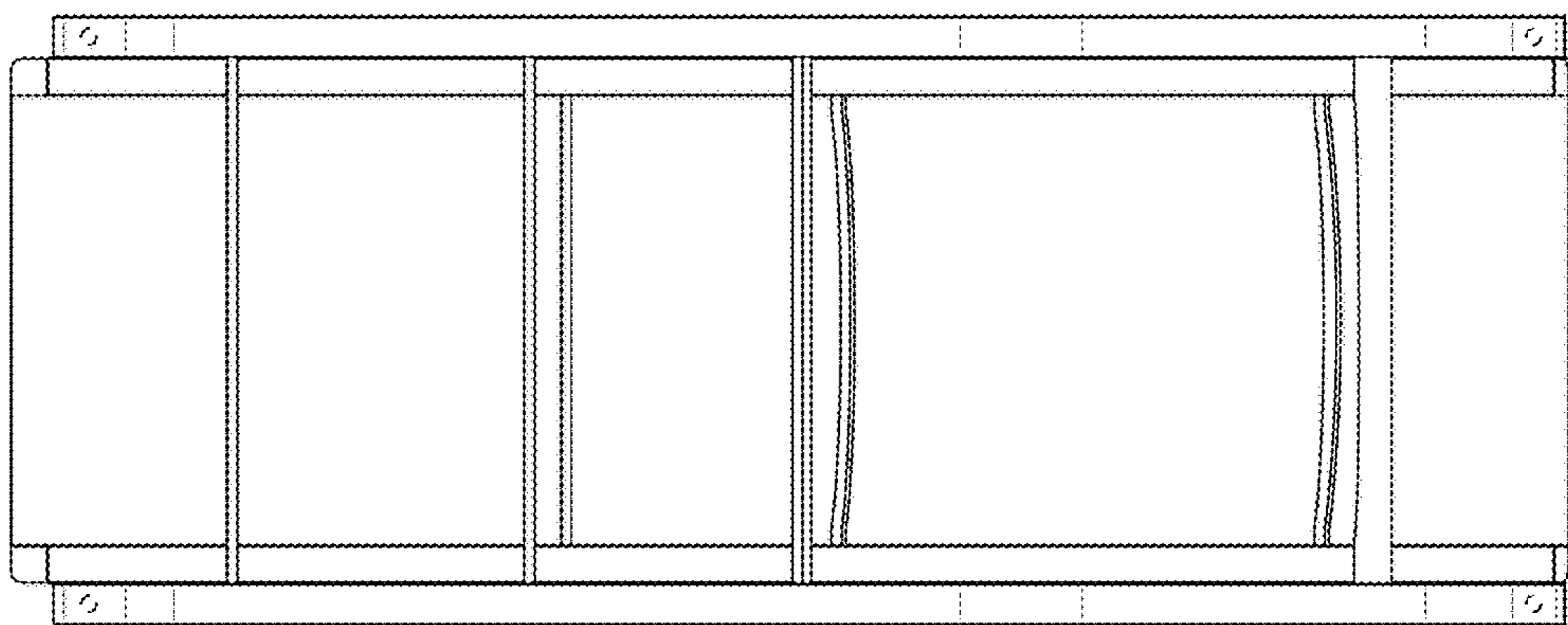


FIG. 8