



US00D814814S

(12) **United States Design Patent**
Spoelhof et al.

(10) **Patent No.:** **US D814,814 S**
(45) **Date of Patent:** **** Apr. 10, 2018**

(54) **STOOL**
(71) Applicant: **Steelcase Inc.**, Grand Rapids, MI (US)
(72) Inventors: **Mark Spoelhof**, Grand Rapids, MI (US); **Bruce Smith**, East Grand Rapids, MI (US); **Patricia Sheung Ying Wong**, Grand Rapids, MI (US); **Amanda Hargraves**, Grand Rapids, MI (US)

3,847,433 A * 11/1974 Acton A47C 1/124
297/239
D246,813 S 1/1978 Tolleson
D273,351 S * 4/1984 Crockett D6/349
D341,259 S 11/1993 Mele
D346,073 S * 4/1994 Hamelink D6/373
(Continued)

(73) Assignee: **Steelcase Inc.**, Grand Rapids, MI (US)
(**) Term: **15 Years**

FOREIGN PATENT DOCUMENTS
CN 2016303393004.0 2/2017
EM 001071658-0006 2/2009
(Continued)

(21) Appl. No.: **29/589,903**
(22) Filed: **Jan. 5, 2017**
(51) **LOC (11) Cl.** **06-01**
(52) **U.S. Cl.**
USPC **D6/349; D6/360**
(58) **Field of Classification Search**
USPC D6/274, 334, 349-353, 360, 364-367,
D6/371-374, 403-405, 596, 691-291.9,
D6/692-692.6, 708.21, 716; D25/62-65,
D25/69
CPC A47B 7/00; A47B 7/02; A47B 9/00; A47B
13/02; A47B 23/00; A47B 39/00; A47C
7/002; A47C 7/18; A47C 3/18; A47C
3/20; A47C 9/002; A47C 9/007; A47C
9/02; A47C 11/00
See application file for complete search history.

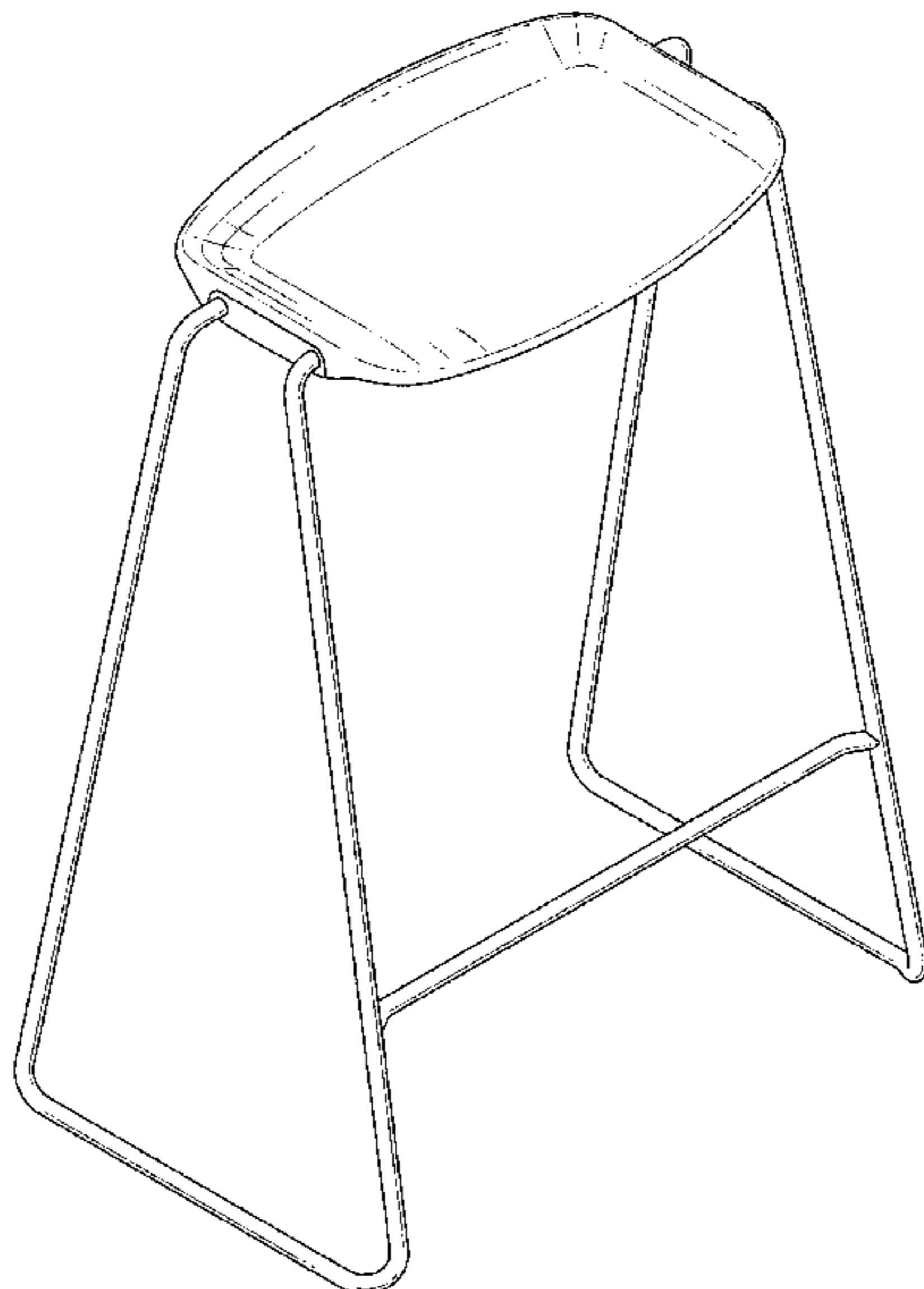
OTHER PUBLICATIONS
Roberts Barstool by Tronk Design. Downloaded on Jul. 6, 2017 at
<https://www.212concept.com/collections/wire-stools-c/products/roberts-barstool> (2 pages).
(Continued)

(56) **References Cited**
U.S. PATENT DOCUMENTS
736,032 A 8/1903 Silver
799,371 A 9/1905 Eustis
2,502,857 A * 4/1950 Kipp A47C 4/02
297/446.2
D201,434 S * 6/1965 Melchior 297/56
D230,668 S * 3/1974 Johnson D6/360

Primary Examiner — Vy N Koenig
(57) **CLAIM**
The ornamental design for a stool, as shown and described.

DESCRIPTION
FIG. 1 is a front perspective view of stool showing our new design;
FIG. 2 is a bottom right perspective view of the stool of FIG. 1;
FIG. 3 is a rear perspective view of the stool of FIG. 1;
FIG. 4 is a top right perspective view of the stool of FIG. 1;
FIG. 5 is a front view of the stool of FIG. 1;
FIG. 6 is a rear view of the stool of FIG. 1;
FIG. 7 is a right side view of the stool of FIG. 1, the left side view is a mirror image of the right side view of FIG. 7;
FIG. 8 is a top view of the stool of FIG. 1; and,
FIG. 9 is a bottom view of the stool of FIG. 1.

1 Claim, 8 Drawing Sheets



(56)

References Cited

U.S. PATENT DOCUMENTS

D368,594 S * 4/1996 Settambino D6/349
 5,613,448 A * 3/1997 Petty A47B 7/02
 108/91
 D423,805 S * 5/2000 Olson D6/373
 D473,389 S 4/2003 Ryan
 D533,728 S 12/2006 Martin et al.
 D553,872 S 10/2007 Martin et al.
 D565,318 S 4/2008 Lievore et al.
 D571,117 S 6/2008 Molina et al.
 D592,873 S 5/2009 Olano Jauregui
 D669,699 S * 10/2012 Stierli D6/373
 D670,926 S 11/2012 Ukmar
 D711,675 S 8/2014 Sato
 D720,161 S 12/2014 Udagawa et al.
 D728,253 S * 5/2015 Lievore D6/373
 D728,953 S 5/2015 Lievore et al.
 D729,532 S 5/2015 Lievore et al.
 D778,631 S * 2/2017 Tanaka D6/373
 D792,141 S * 7/2017 Su D6/373
 D799,227 S * 10/2017 Martinez D6/360
 D802,321 S * 11/2017 Martinez D6/373
 2017/0164744 A1 6/2017 Ballendat

FOREIGN PATENT DOCUMENTS

EM 001261283-0001 2/2011
 EM 001796756-0002 2/2011
 EM 001796657-0009 3/2011
 EM 001862855-0022 6/2011
 EM 002085357-0001 8/2012
 EM 002125468-0040 12/2012
 EM 002147827-0009 12/2012
 EM 002216572-0007 4/2013
 EM 002921825-0004 12/2015

EM 002840223-0004 4/2016
 WO 2000021416 A1 4/2000
 WO 2012061867 A1 5/2012
 WO D090045-0007 4/2016

OTHER PUBLICATIONS

Scoop product brochure. Downloaded from https://store.steelcase.com/media/wysiwyg/Scoop_Brochure.pdf on Mar. 3, 2017 (2 pages).
 Last Minute Stool product brochure. Downloaded from https://store.steelcase.com/media/wysiwyg/PDFs/Last_Minute_Stool_Brochure.pdf on Mar. 3, 2017 (4 pages).
 Montara650 Collection product brochure. Downloaded from http://www.coalesse.com/files/documents/resources/Montara650_Collection_Overview.pdf on Mar. 3, 2017 (7 pages).
 Enea Lottus Sled Stool product brochure. Downloaded from http://www.coalesse.com/files/documents/resources/Enea_Lottus_cutsheet.pdf on Mar. 3, 2017 (4 pages).
 Tao product brochure. Downloaded from http://www.inclass.es/wp-content/files_mf/1484313515FT_TAO_ENG.pdf on Mar. 3, 2017 (4 pages).
 Ready Stacking Counterstool by Blu Dot. Downloaded from <http://www.bludot.com/ready-stacking-counter-stool.html#exp61-dimensions-heading> on Mar. 3, 2017 (3 pages).
 CPH Bar Stools by Hay. Downloaded from <http://hay.dk/en-us/hay/furniture/cph-bar-stool-h75-oak-matt-lacquer> on Mar. 3, 2017 (3 pages).
 Polo by Hermes/Jessen Industrial Design. Downloaded from <http://www.hermesjessen.de/> on Mar. 3, 2017 (1 page).
 Morrison Stool by Jasper Morrison. Downloaded from <http://www.cappellini.it/en/products/chairs-and-armchairs/morrison-stool#product-gallery> on Mar. 8, 2017 (5 pages).

* cited by examiner

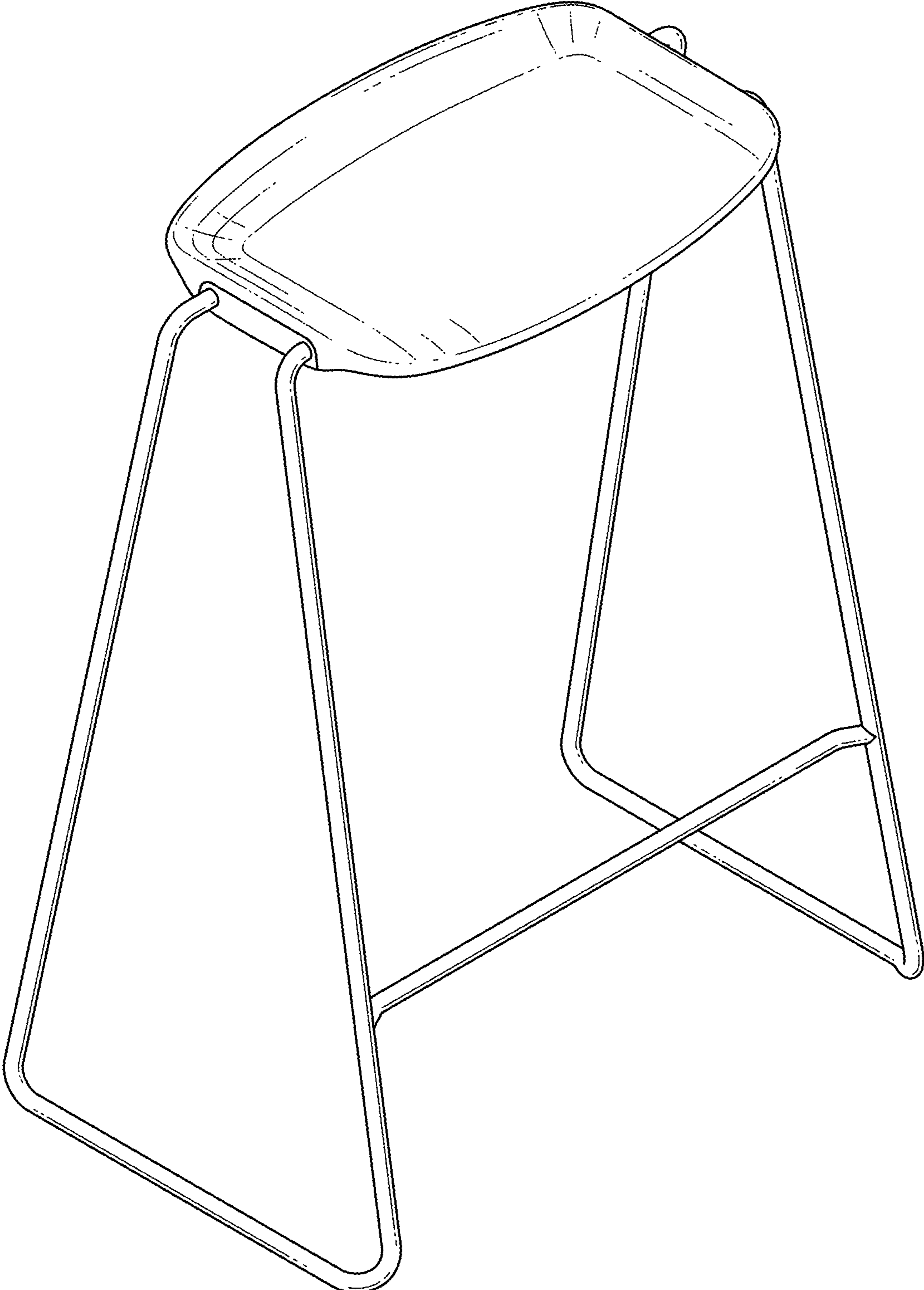


FIG. 1

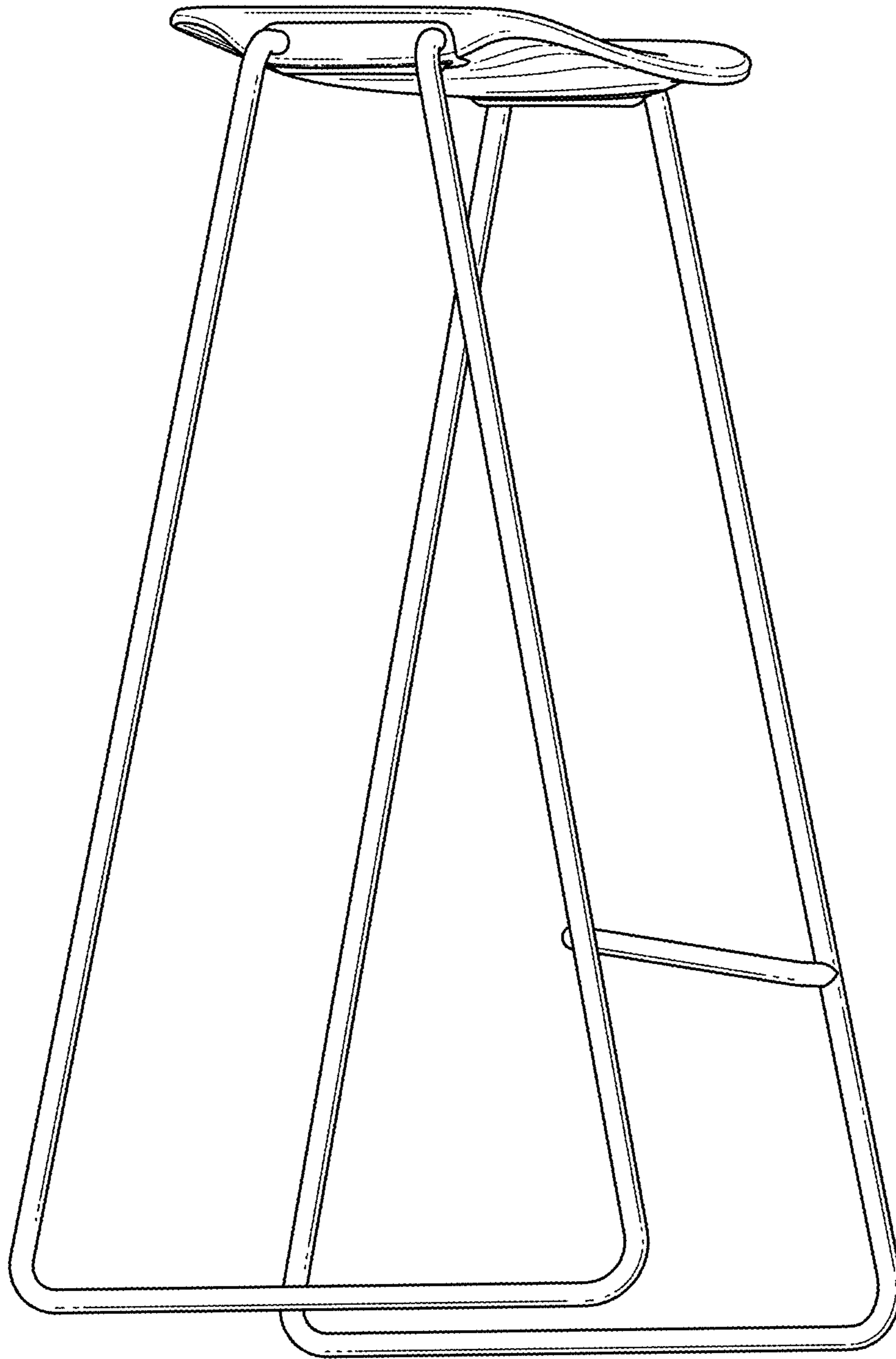


FIG. 2

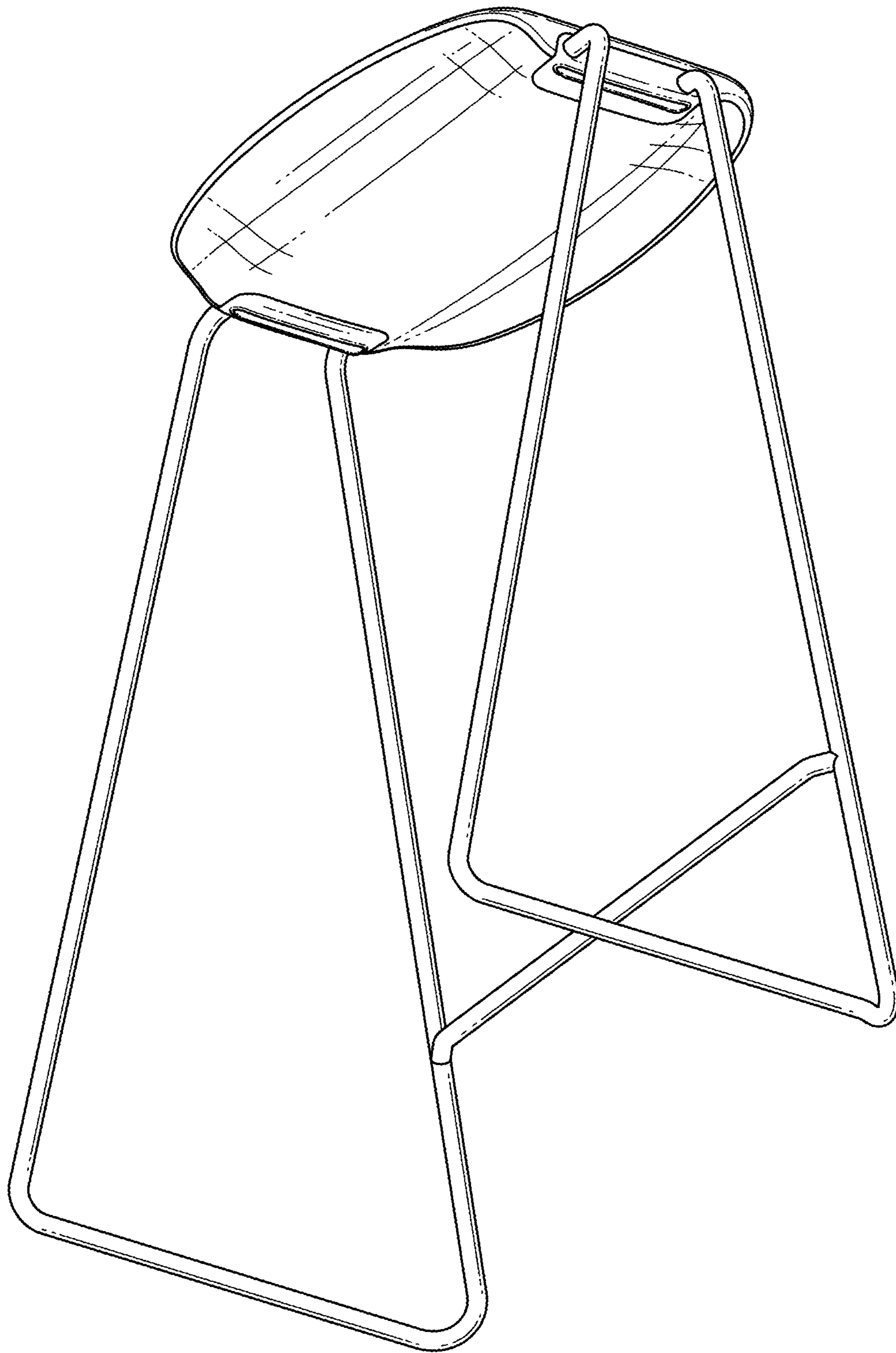


FIG. 3

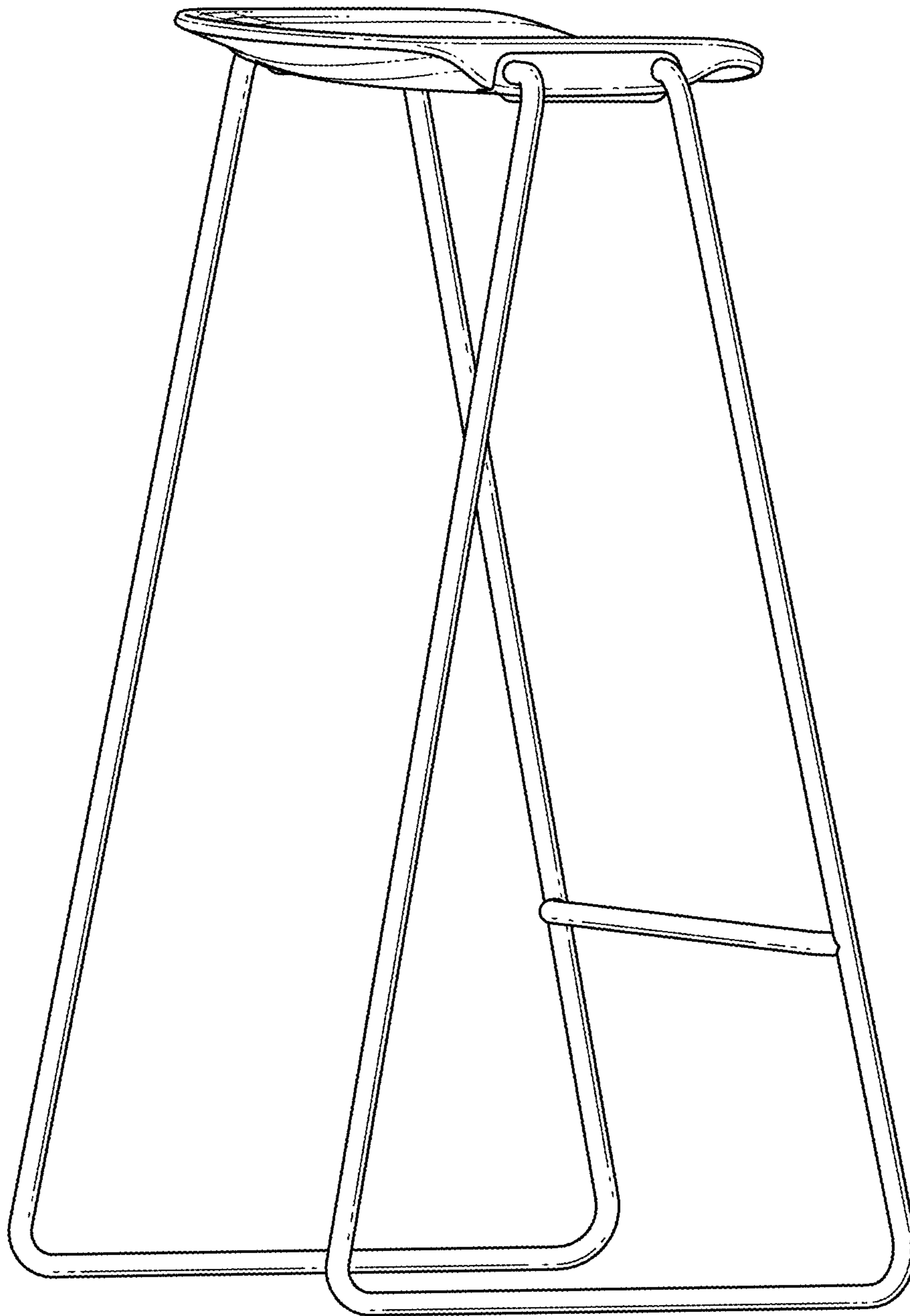


FIG. 4

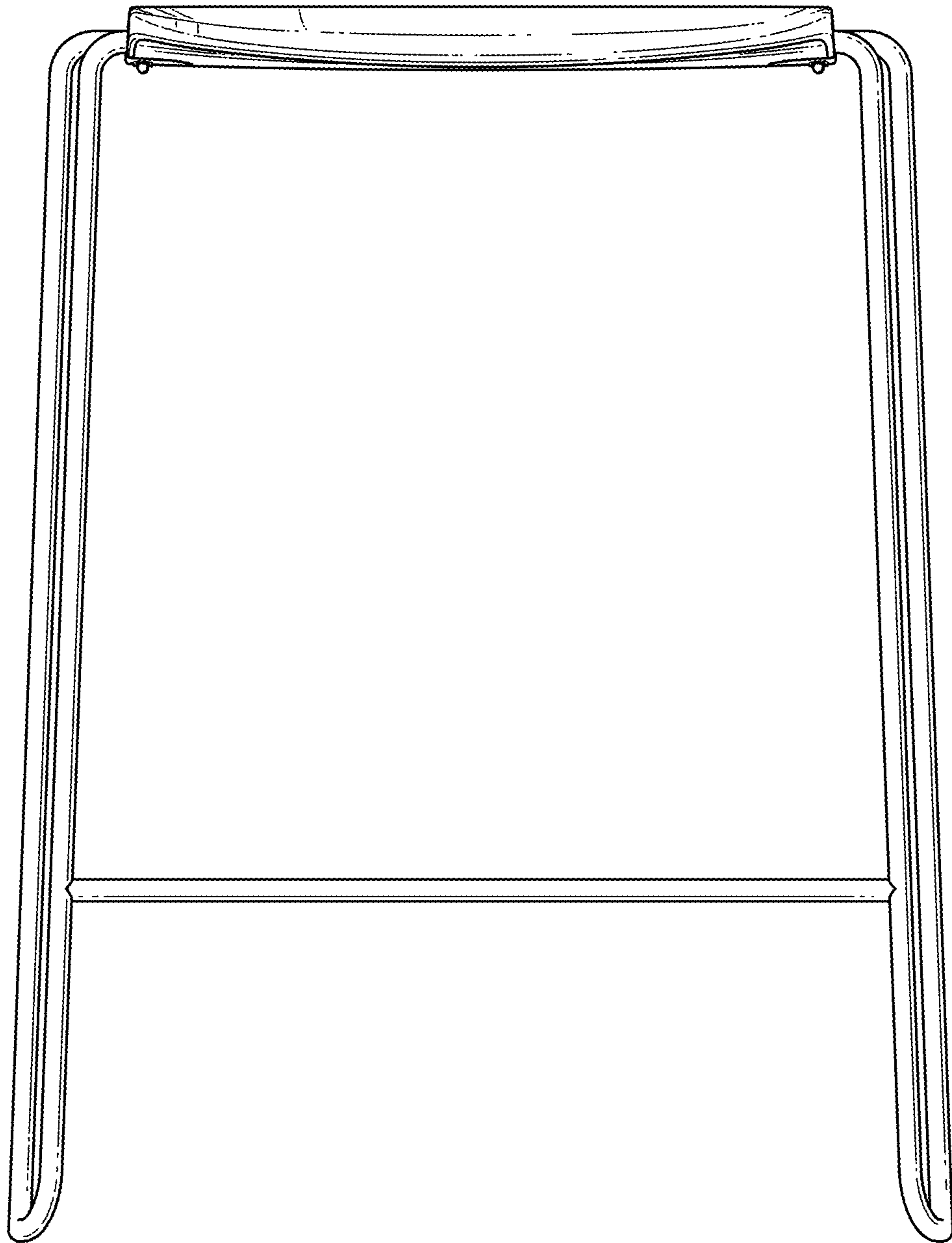


FIG. 5

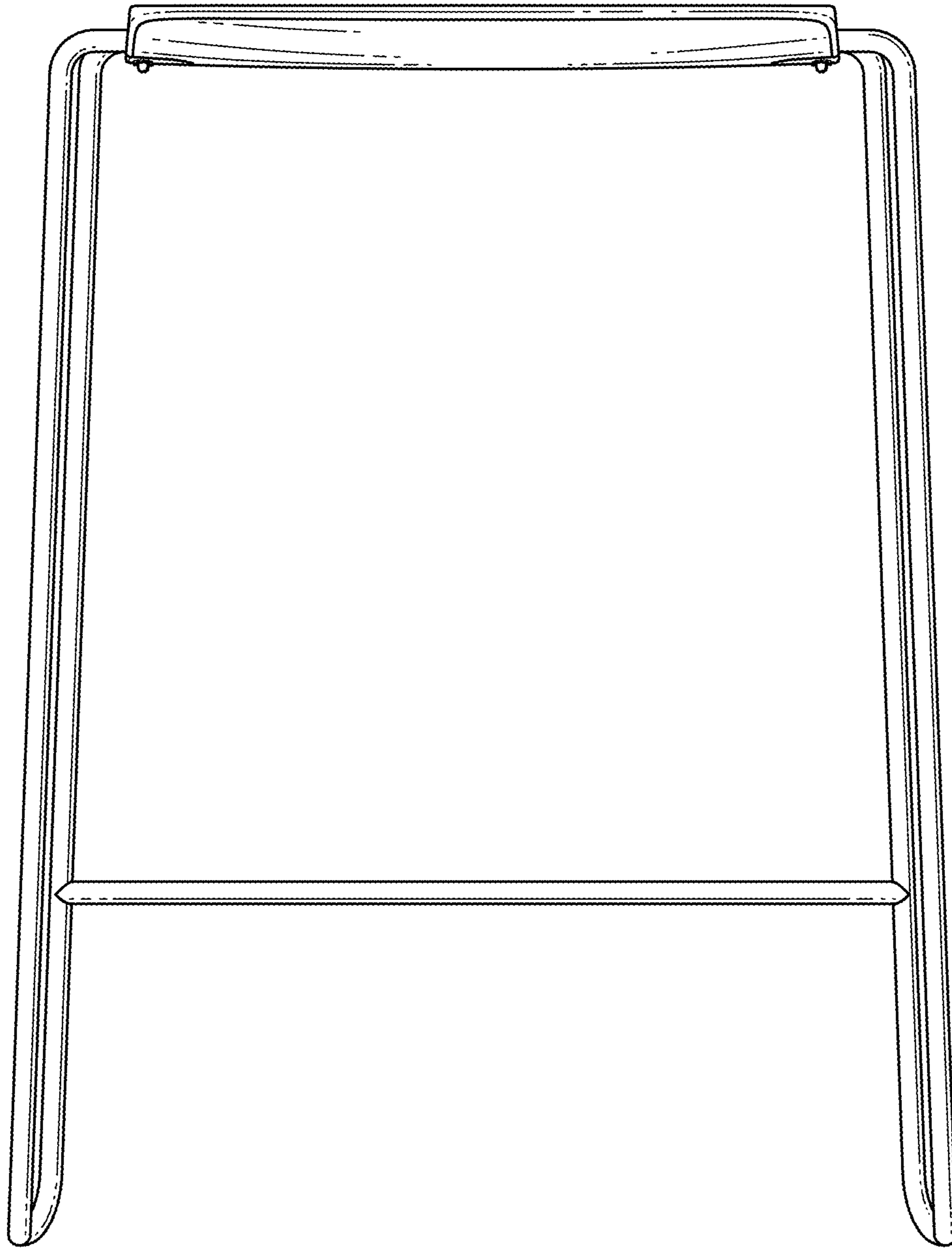


FIG. 6

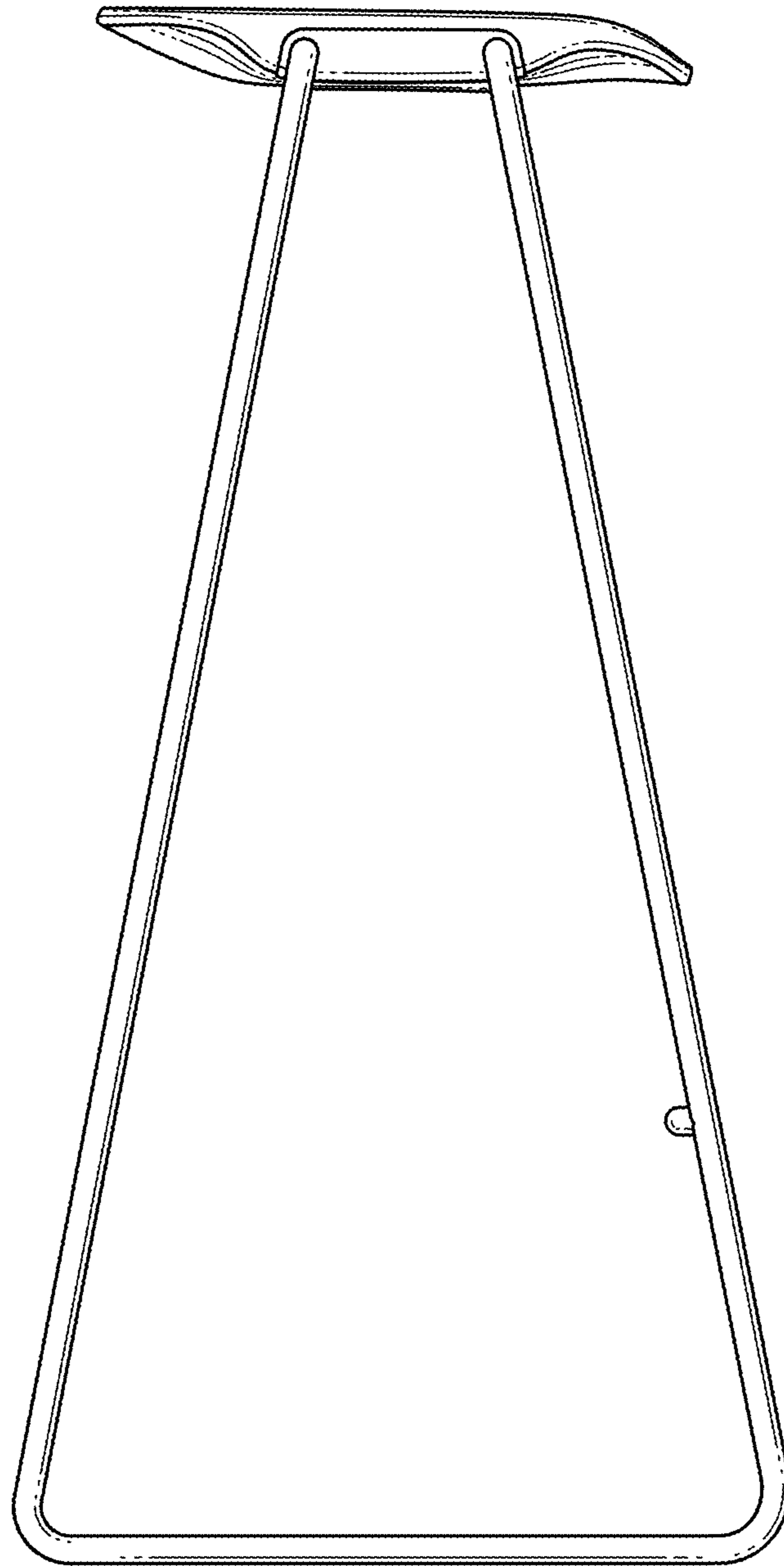


FIG. 7

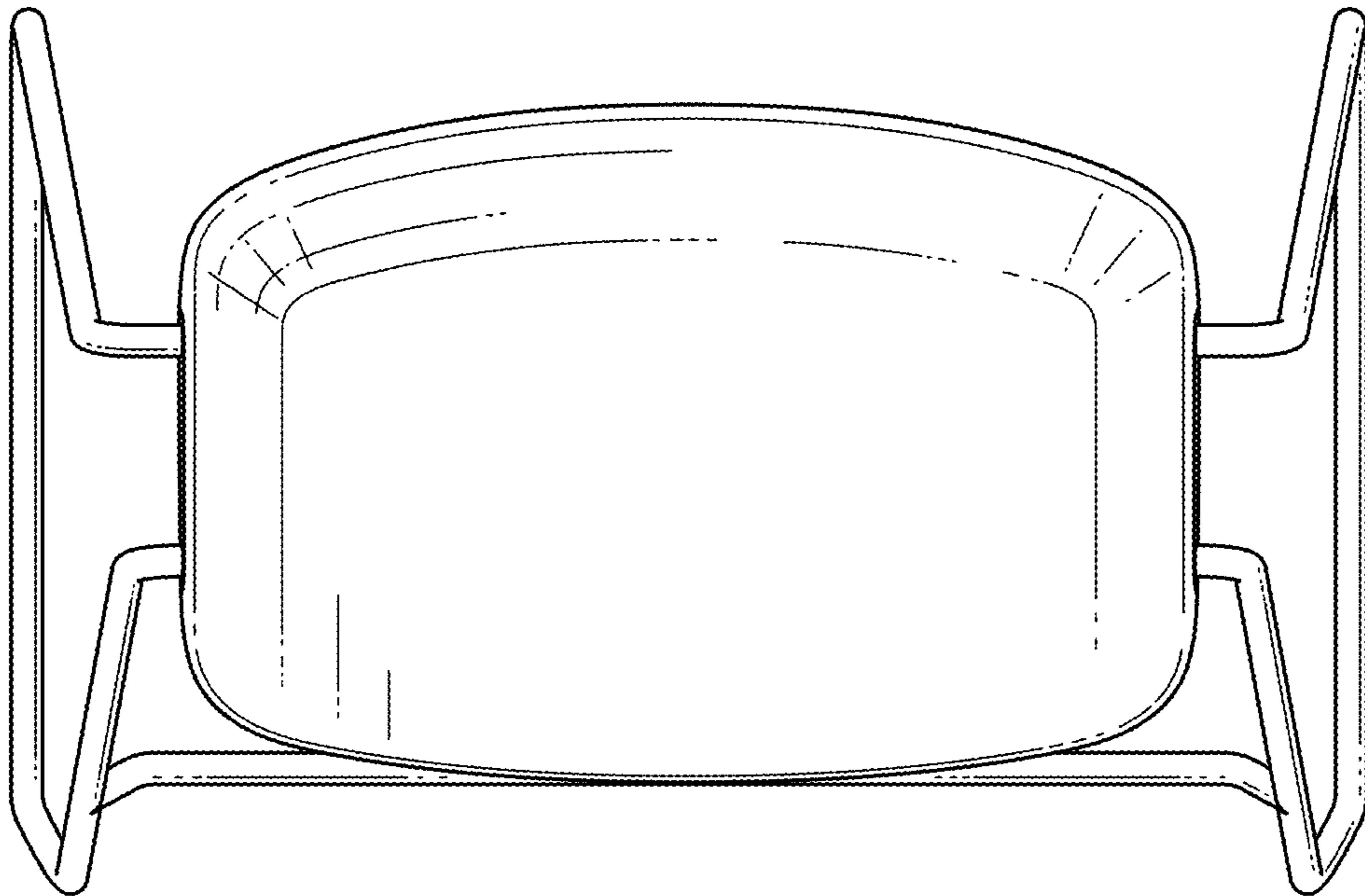


FIG. 8

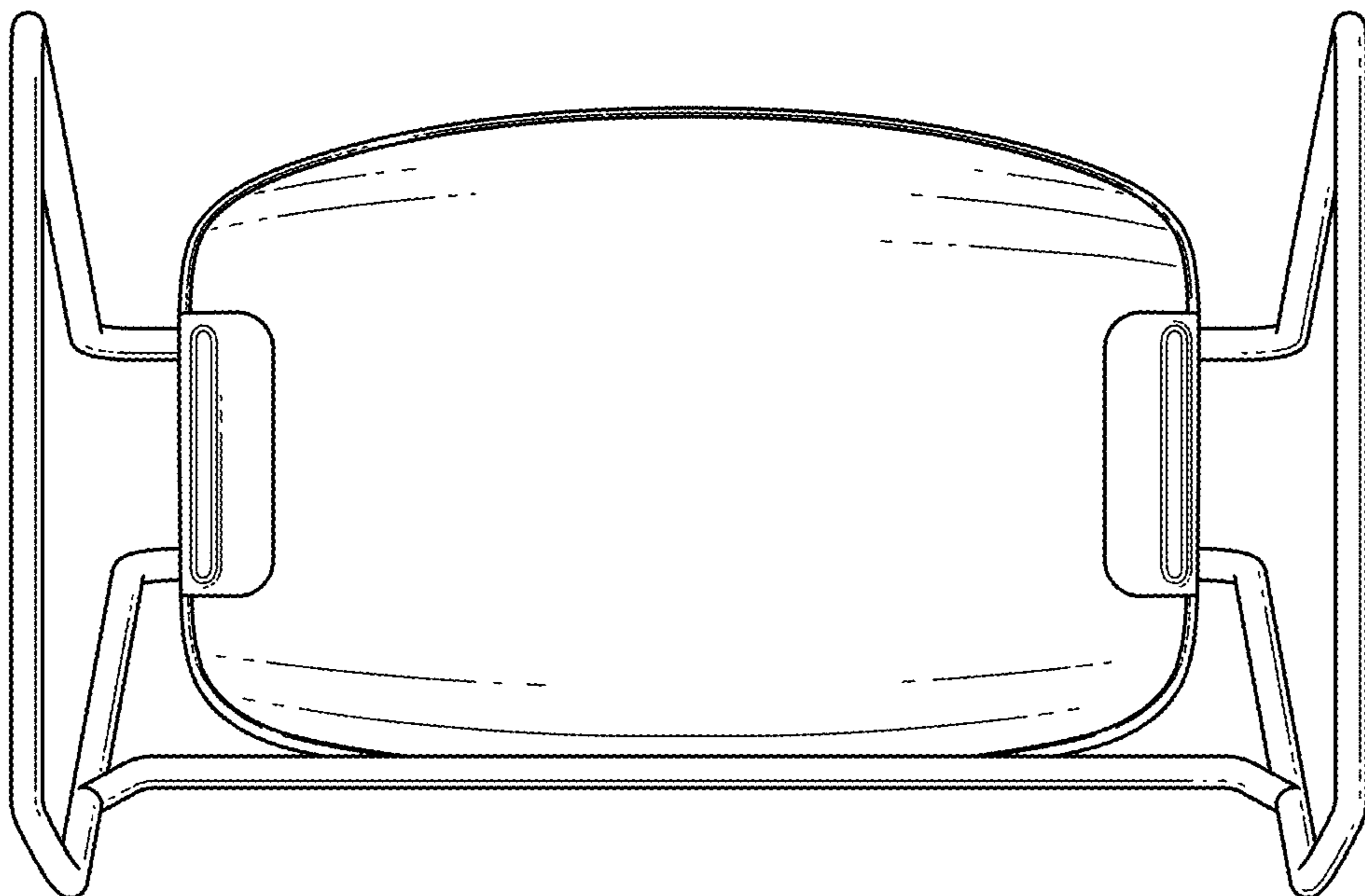


FIG. 9