



US00D814812S

(12) **United States Design Patent** (10) **Patent No.:** **US D814,812 S**
Hassman (45) **Date of Patent:** **** Apr. 10, 2018**

(54) **HANGING BEER BOTTLE CHAIR**

(71) Applicant: **Ellen Hassman**, Hollywood, FL (US)

(72) Inventor: **Ellen Hassman**, Hollywood, FL (US)

(**) Term: **15 Years**

(21) Appl. No.: **29/606,758**

(22) Filed: **Jun. 7, 2017**

(51) **LOC (11) Cl.** **06-01**

(52) **U.S. Cl.**
USPC **D6/345**; D6/347

(58) **Field of Classification Search**
USPC D6/345, 347, 344, 351, 358, 388, 404,
D6/658, 665, 674, 688, 703.6, 707.1,
D6/708.1, 709.1, 717.1, 718.15, 718.27,
D6/539, 597, 303, 316; D10/6;
D21/315, 318, 319, 708, 709, 712, 713,
D21/780, 816, 825, 831, 836; D11/48,
D11/81, 99, 133, 157; D20/29; D9/516,
D9/549, 550, 563
CPC A47D 13/105; A47D 13/107; A47C 1/00;
A47C 3/00; A47C 3/02; A47C 3/025;
A47C 3/0255
See application file for complete search history.

(56) **References Cited**

U.S. PATENT DOCUMENTS

D16,082 S *	5/1885	Jerome	D10/6
D259,684 S *	6/1981	Davis	D6/674
D349,243 S *	8/1994	Hersch	D10/33
D355,793 S *	2/1995	Flum	D6/658
D373,690 S *	9/1996	Hartmann	D21/370
D393,398 S *	4/1998	Trevino, Sr.	D7/594
D400,546 S *	11/1998	Trulaske, Sr.	D15/81
D421,350 S *	3/2000	Bidwell	D6/674

D438,117 S *	2/2001	Shefler	D9/500
D449,785 S *	10/2001	Guthrie	D9/516
D455,278 S *	4/2002	Clements	D6/358
D475,926 S *	6/2003	Rusnock	D9/502
D498,228 S *	11/2004	Kasden	D14/207
D500,810 S *	1/2005	Osigwe	D20/37
D523,095 S *	6/2006	Beckerman	D11/157
D555,495 S *	11/2007	Dunman, Jr.	D9/549
D646,166 S *	10/2011	Chupak	D9/500
D704,557 S *	5/2014	Hamill	D9/500
D706,634 S *	6/2014	Herman	D9/500
D722,508 S *	2/2015	Hirsberg	D9/503
D730,237 S *	5/2015	Kopenec	D11/157
D802,161 S *	11/2017	Brown	D25/16
D806,549 S *	1/2018	Laib	D9/500
D807,178 S *	1/2018	Laib	D9/500
2012/0167867 A1 *	7/2012	Fisher	A47J 37/0713 126/25 R

* cited by examiner

Primary Examiner — Deanna L Pratt
(74) *Attorney, Agent, or Firm* — Robert M. Downey, P.A.

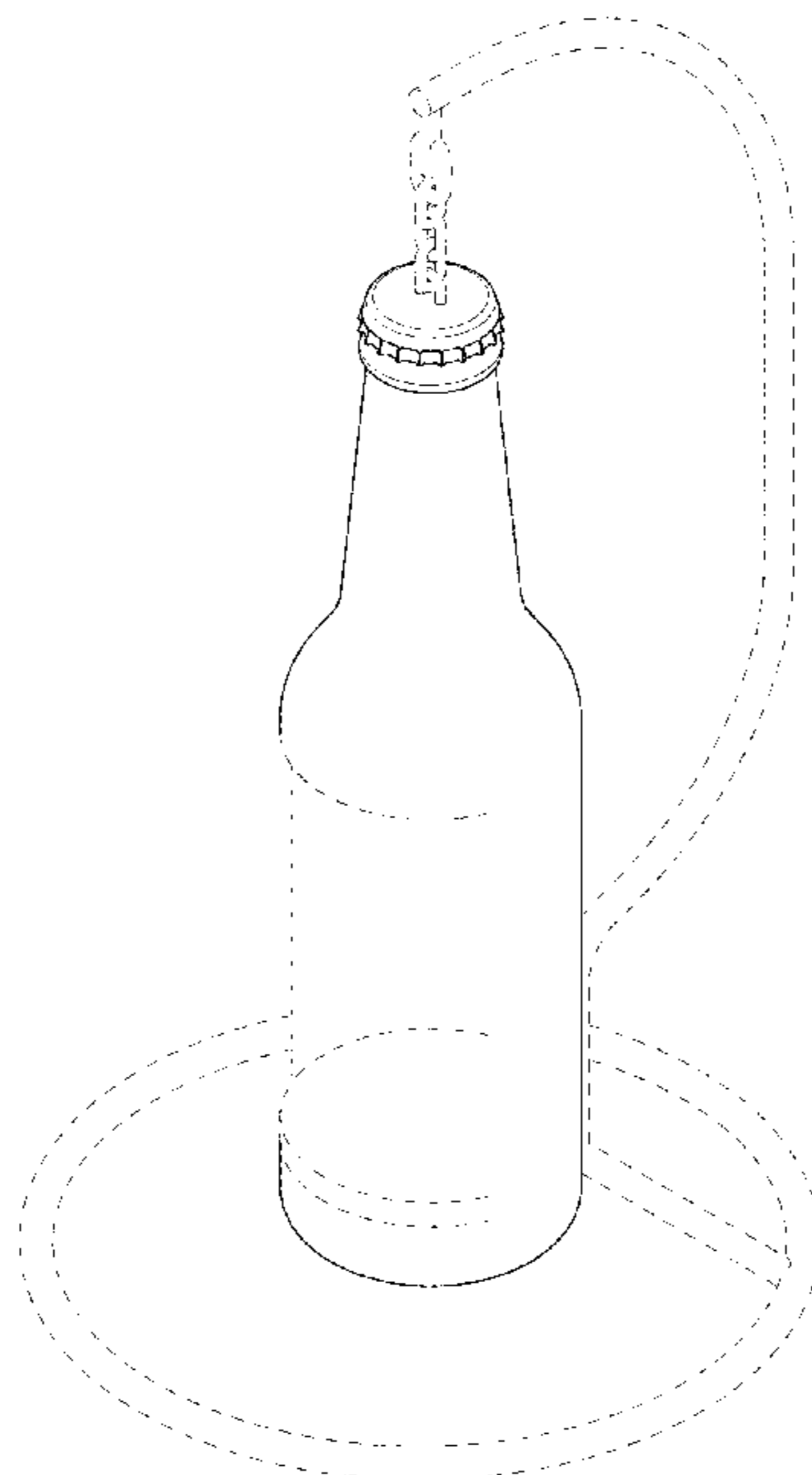
(57) **CLAIM**

The ornamental design for a hanging beer bottle chair, as shown and described.

DESCRIPTION

FIG. 1 is a front, top perspective view of a hanging beer bottle chair showing my new design; FIG. 2 is a front elevational view thereof; FIG. 3 is a rear elevational view thereof; FIG. 4 is a left side elevational view thereof; FIG. 5 is a right side elevational view thereof; FIG. 6 is a top plan view thereof; and, FIG. 7 is a bottom plan view thereof. The broken lines illustrate portions of the hanging beer bottle chair that form no part of the claimed design.

1 Claim, 7 Drawing Sheets



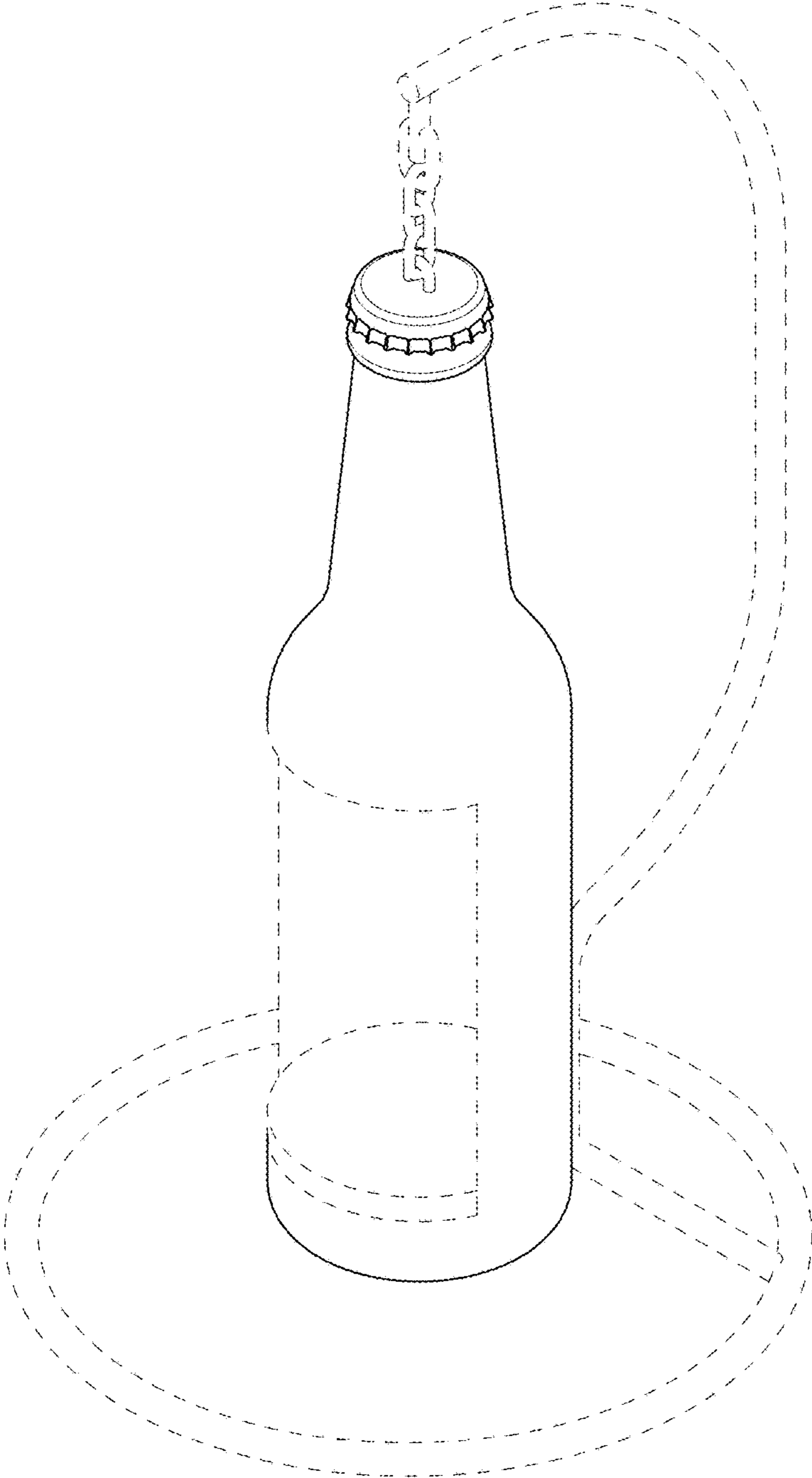


FIG. 1

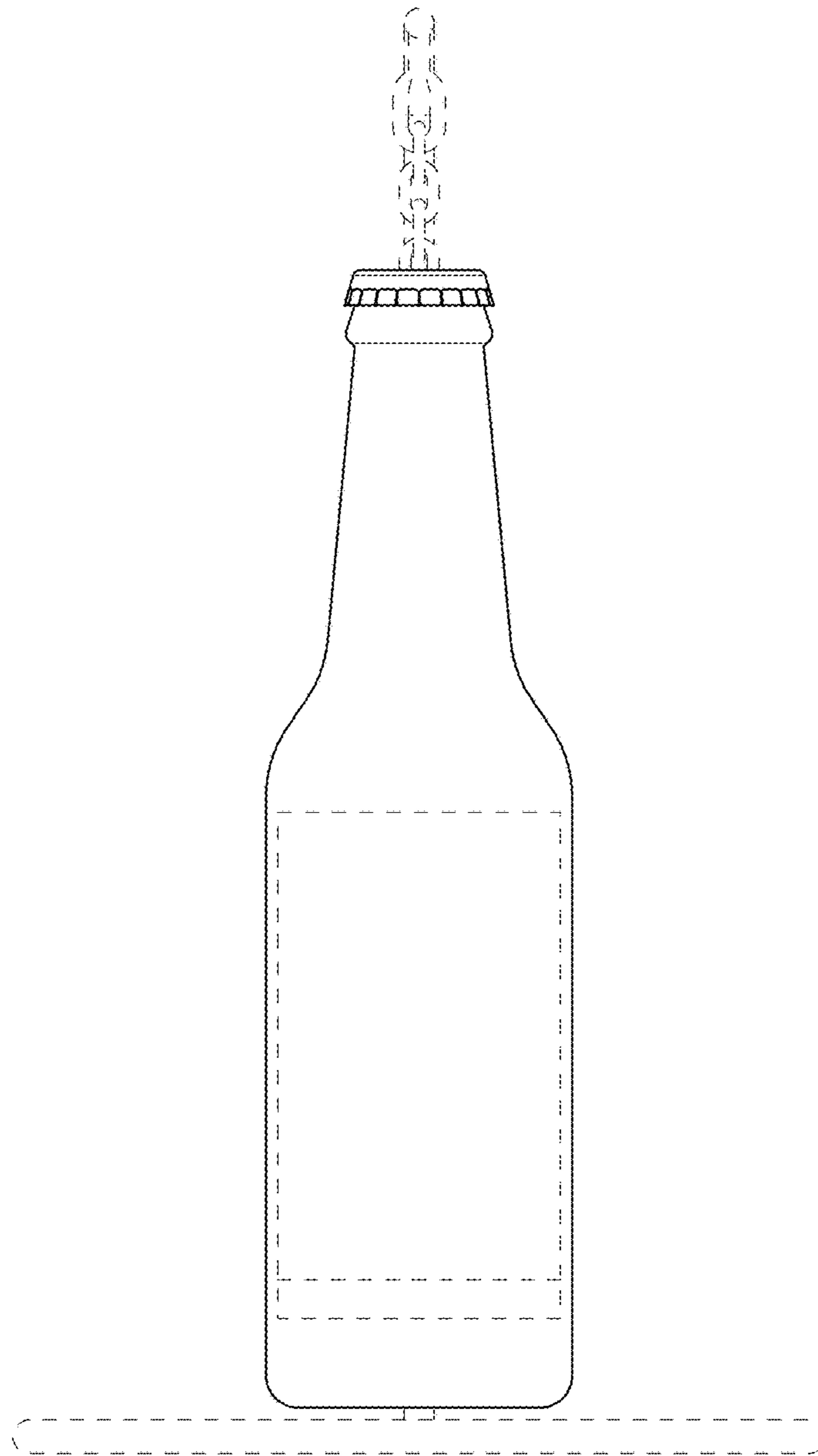


FIG. 2

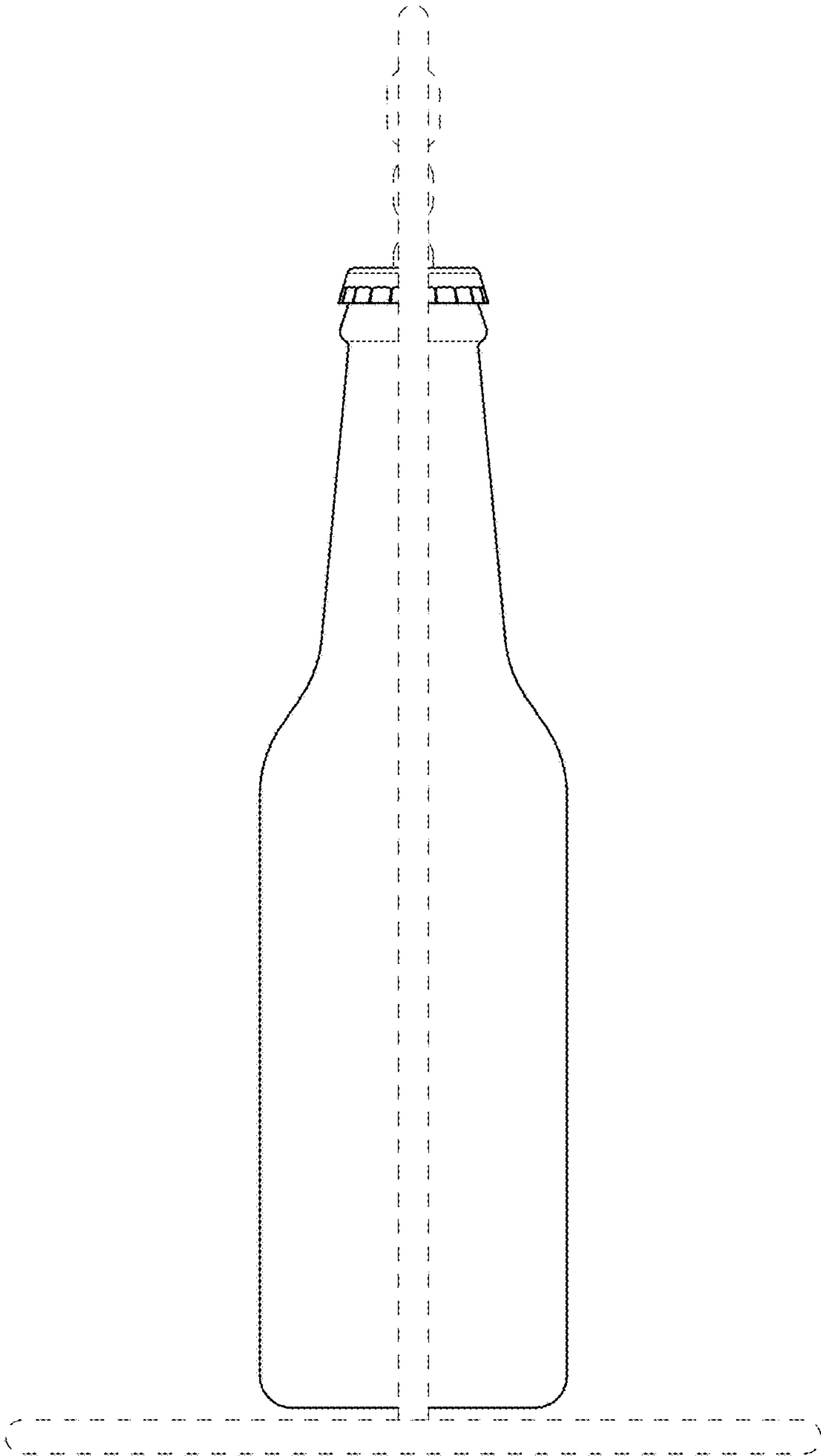


FIG. 3

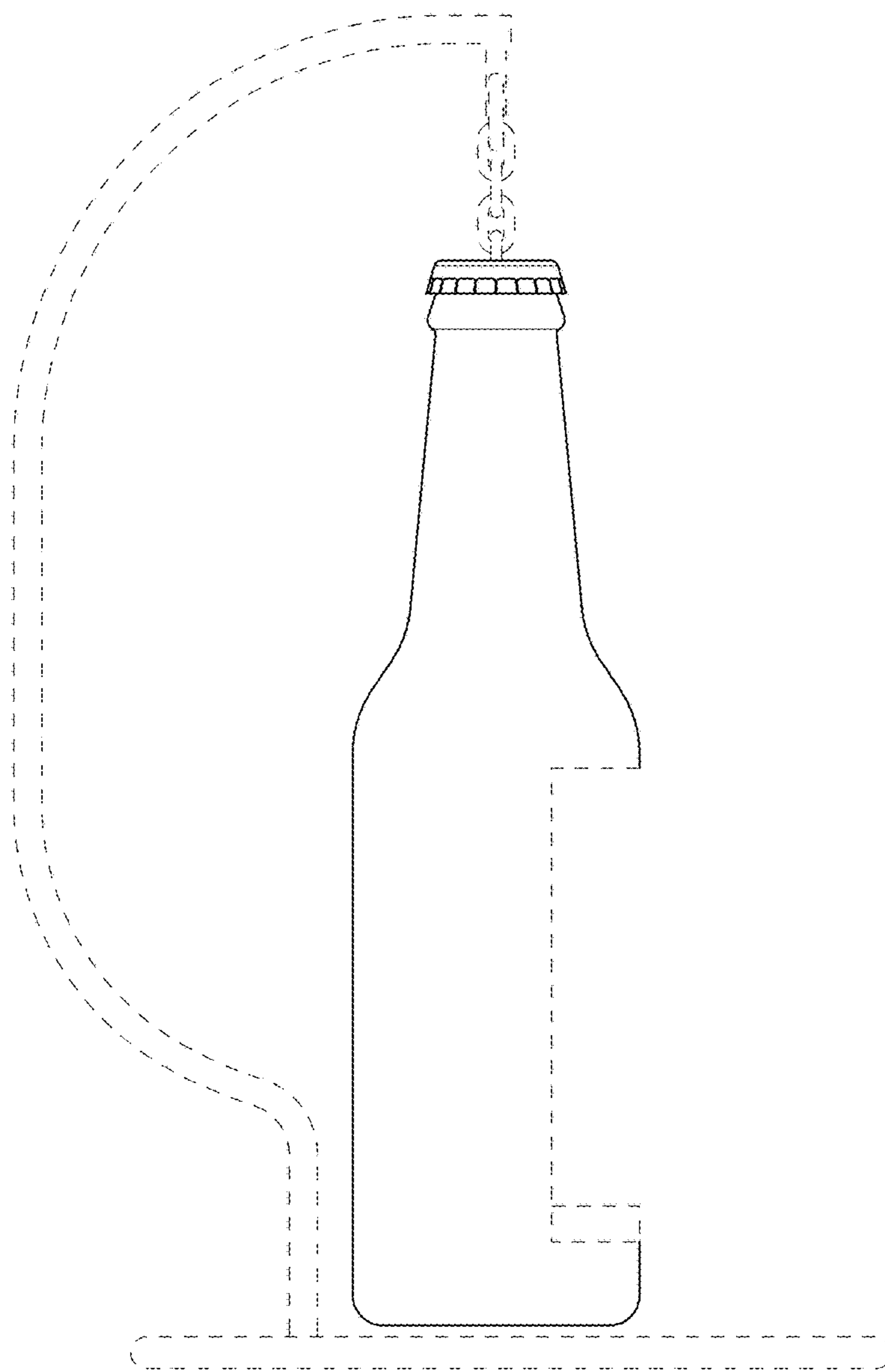


FIG. 4

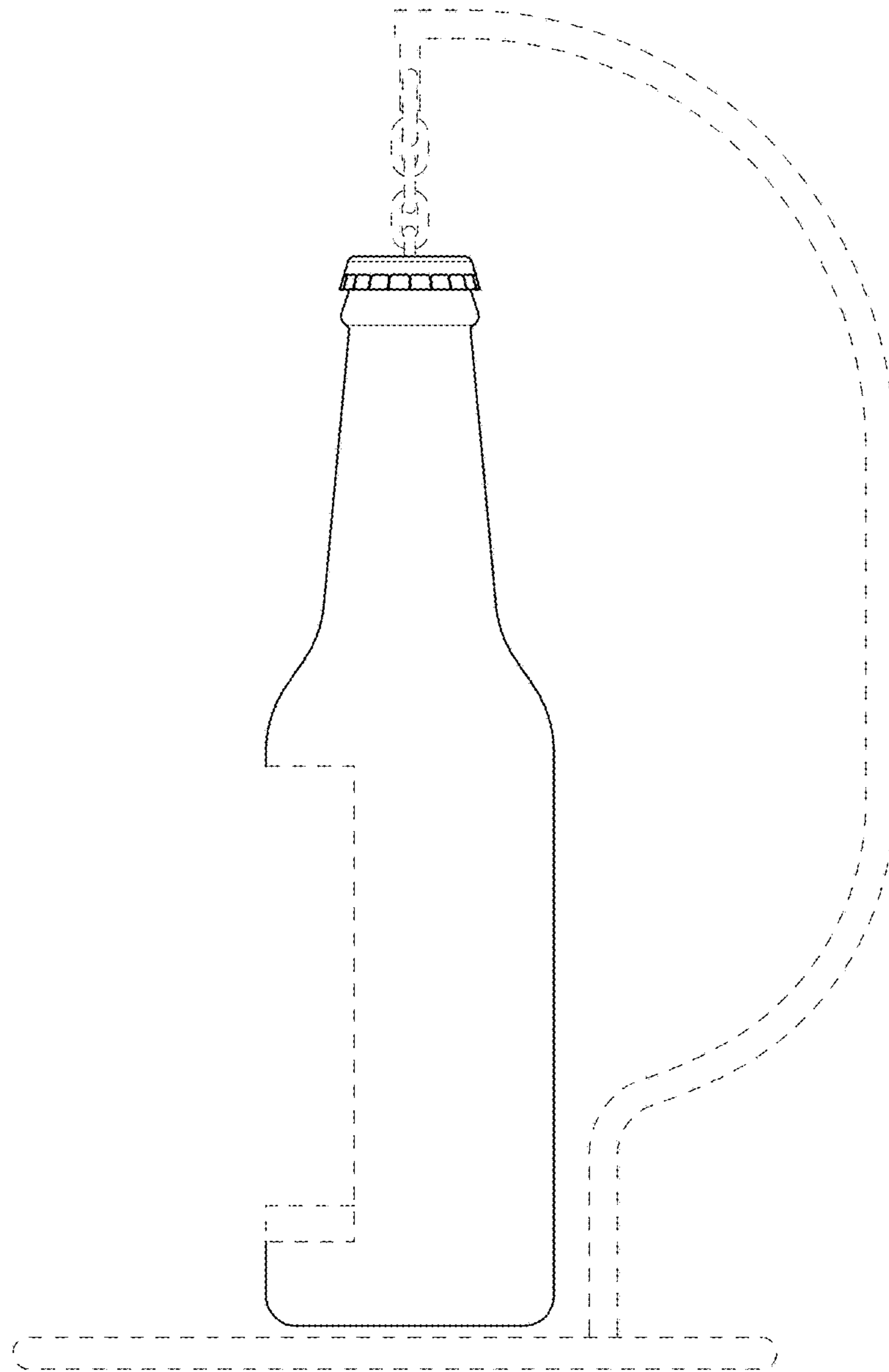


FIG. 5

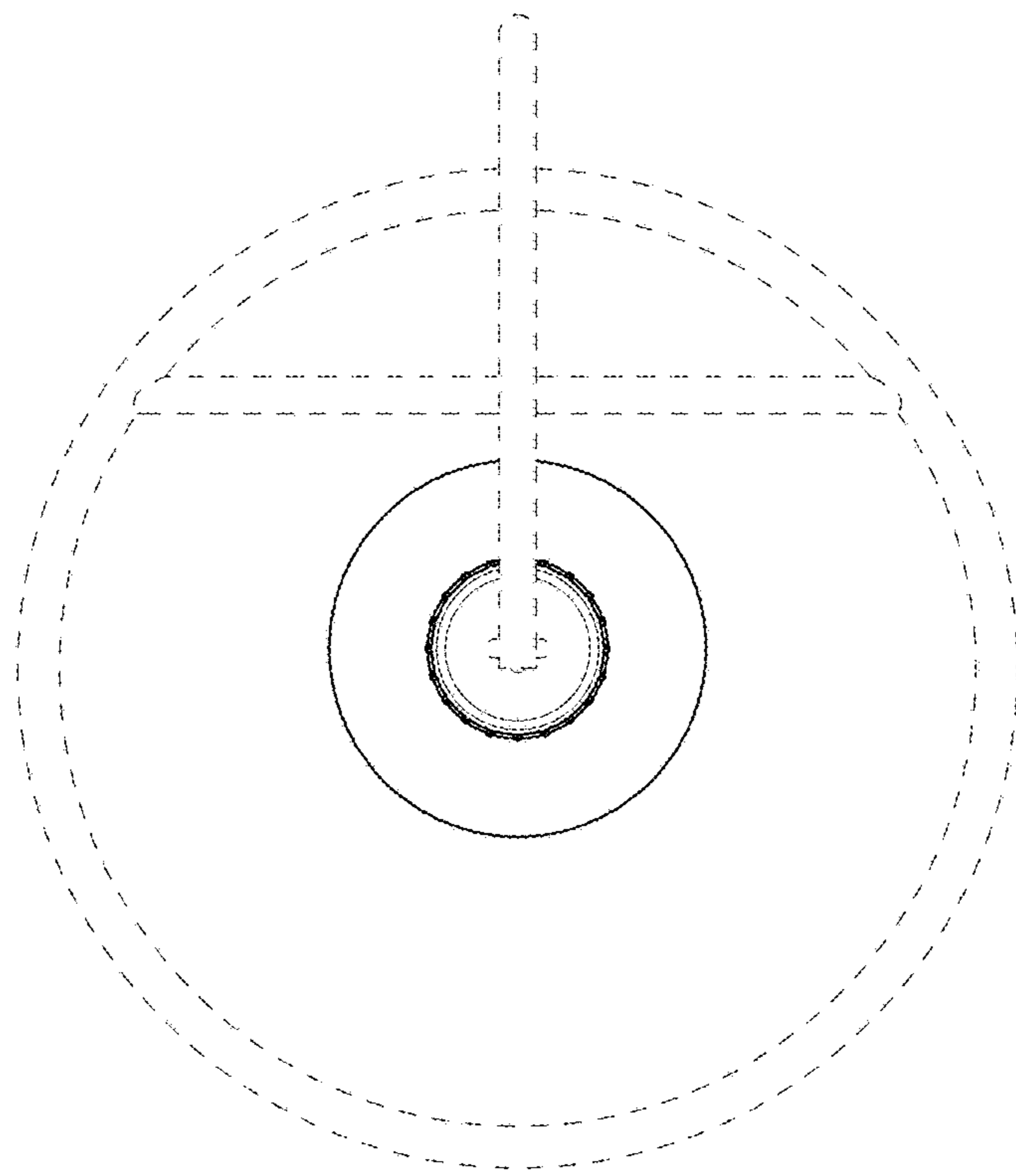


FIG. 6

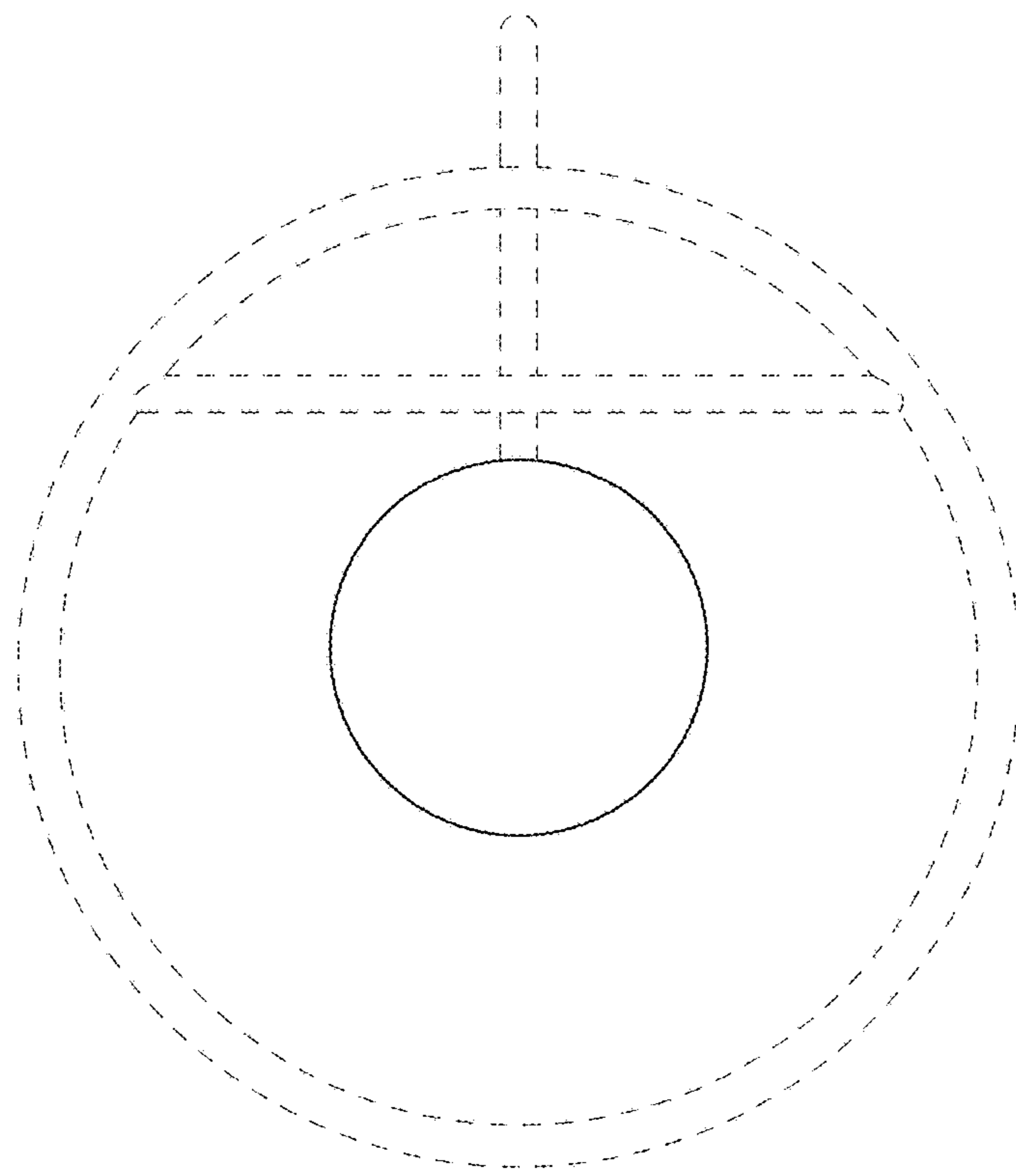


FIG. 7