



US00D814811S

(12) **United States Design Patent**
Soto-Camacho et al.

(10) **Patent No.:** **US D814,811 S**
(45) **Date of Patent:** **** Apr. 10, 2018**

(54) **STORAGE BEAN BAG CHAIR**
(71) Applicants: **Andrea Soto-Camacho**, Brooklyn, NY (US); **Karen G. Stash**, Los Angeles, CA (US)

(72) Inventors: **Andrea Soto-Camacho**, Brooklyn, NY (US); **Karen G. Stash**, Los Angeles, CA (US)

(73) Assignee: **mimish, LLC**, Brooklyn, NY (US)

(**) Term: **15 Years**

(21) Appl. No.: **29/540,257**

(22) Filed: **Sep. 22, 2015**

(51) **LOC (11) Cl.** **06-01**

(52) **U.S. Cl.**
USPC **D6/335**

(58) **Field of Classification Search**
USPC D6/334-338, 349, 355, 361, 368-370, D6/376, 379-381, 716, 716.1, 716.2, 340, D6/354, 377; 297/16.1, 42, 94, 135, 175, 297/232, 233, 350, 351, 445.1, 448.1, 297/448.2, 451.9; 5/12.1, 12.2
CPC .. A47C 1/02; A47C 1/024; A47C 7/18; A47C 7/24; A47C 17/00; A47C 17/02; A47C 17/175

See application file for complete search history.

(56) **References Cited**

U.S. PATENT DOCUMENTS

D170,790 S *	11/1953	Bertoia	297/452.1
D240,479 S *	7/1976	Halme	D6/334
D245,888 S *	9/1977	Bellini	D6/334
D257,087 S *	9/1980	Roset	D6/334
D276,959 S *	1/1985	Roset	D6/334
D279,338 S *	6/1985	Offredi	D6/370
D395,557 S *	6/1998	Smith	D6/334
D399,660 S *	10/1998	Smith	D6/334

D405,274 S * 2/1999 Smith D6/334
6,209,962 B1 * 4/2001 Sobel A47C 3/16
297/452.17
D539,045 S * 3/2007 Mourgue D30/118
(Continued)

Primary Examiner — Sandra Snapp
(74) *Attorney, Agent, or Firm* — Sheppard, Mullin, Richter & Hampton LLP

(57) **CLAIM**

We claim the ornamental design for a storage bean bag chair, as shown and described.

DESCRIPTION

FIG. 1 is a front, right perspective view of a storage bean bag chair embodying our new design, shown in its closed position, with its hidden interior storage compartment fully expanded, and with a portion of a flap folded upward to reveal an underlying zipper half;

FIG. 2 is a front elevational view of the storage bean bag chair of FIG. 1;

FIG. 3 is a rear elevational view of the storage bean bag chair of FIG. 1;

FIG. 4 is a right side elevational view of the storage bean bag chair of FIG. 1, which is a mirror image of the left side elevational view;

FIG. 5 is a top plan view of the storage bean bag chair of FIG. 1;

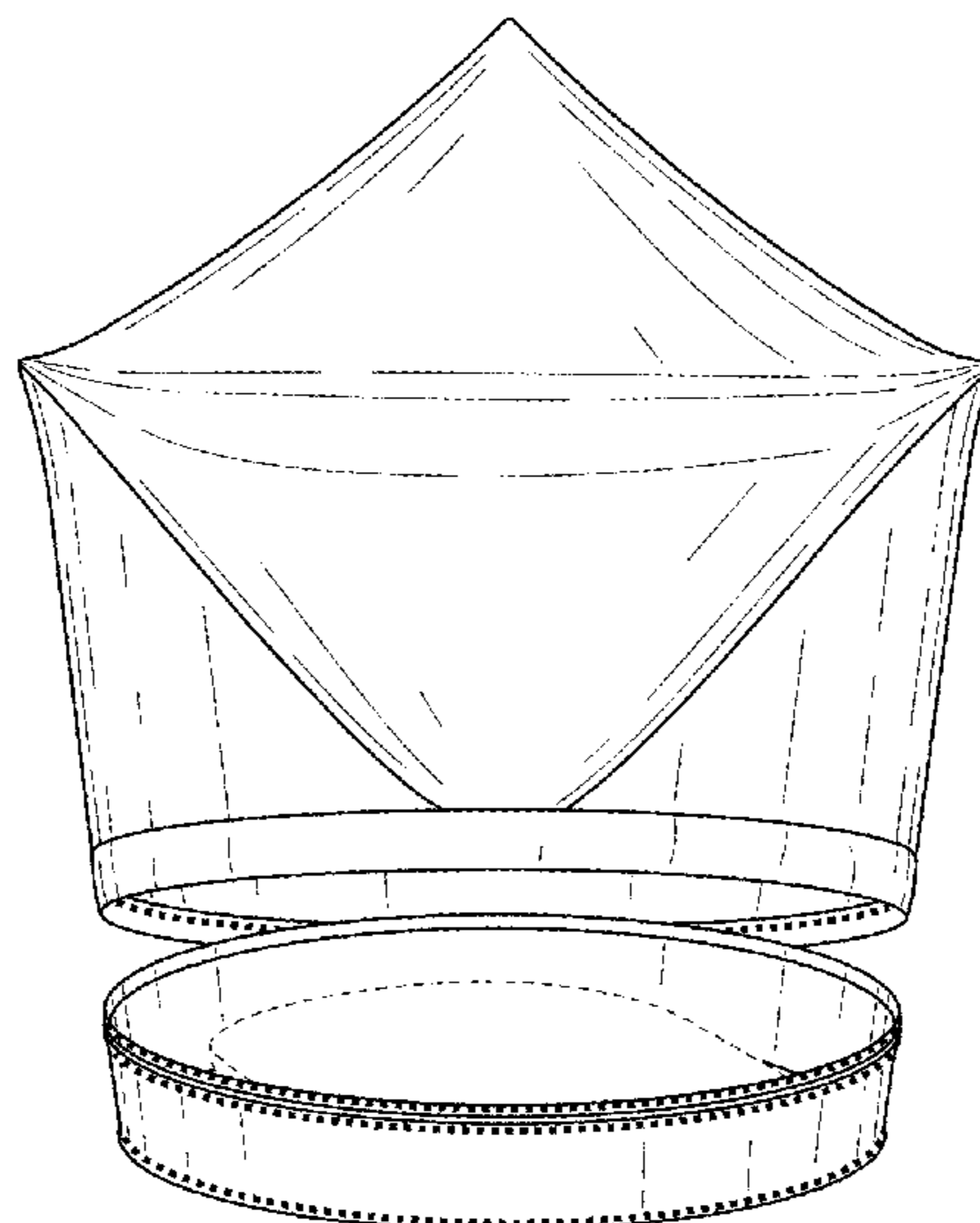
FIG. 6 is a bottom plan view of the storage bean bag chair of FIG. 1; and,

FIG. 7 is a top, front perspective view of the storage bean bag chair of FIG. 1, shown in its open position to reveal its interior storage compartment.

The darker, square shaped broken lines depicting zippers, in FIGS. 1-4, 6 and 7, are for illustrative purposes only and form no part of the claimed design.

The lighter, long narrow shaped broken lines depicting an item within the interior storage compartment, in FIG. 7, are for illustrative purposes only and form no part of the claimed design.

1 Claim, 4 Drawing Sheets



(56)

References Cited

U.S. PATENT DOCUMENTS

D539,046	S	*	3/2007	Bouroullec	D6/334
D551,872	S	*	10/2007	Bouroullec	D6/381
D560,376	S	*	1/2008	Sempe	D6/334
D581,690	S	*	12/2008	Sempe	D6/381
D585,653	S	*	2/2009	Sempe	D6/334
D612,161	S	*	3/2010	Paulin	D6/334
D612,622	S	*	3/2010	Paulin	D6/334
8,585,151	B2	*	11/2013	Goldman	A47C 27/086 297/188.08
D699,450	S	*	2/2014	Fuller	D6/334
D712,171	S	*	9/2014	Alessandri	D6/349
D716,064	S	*	10/2014	George, II	D6/334

* cited by examiner

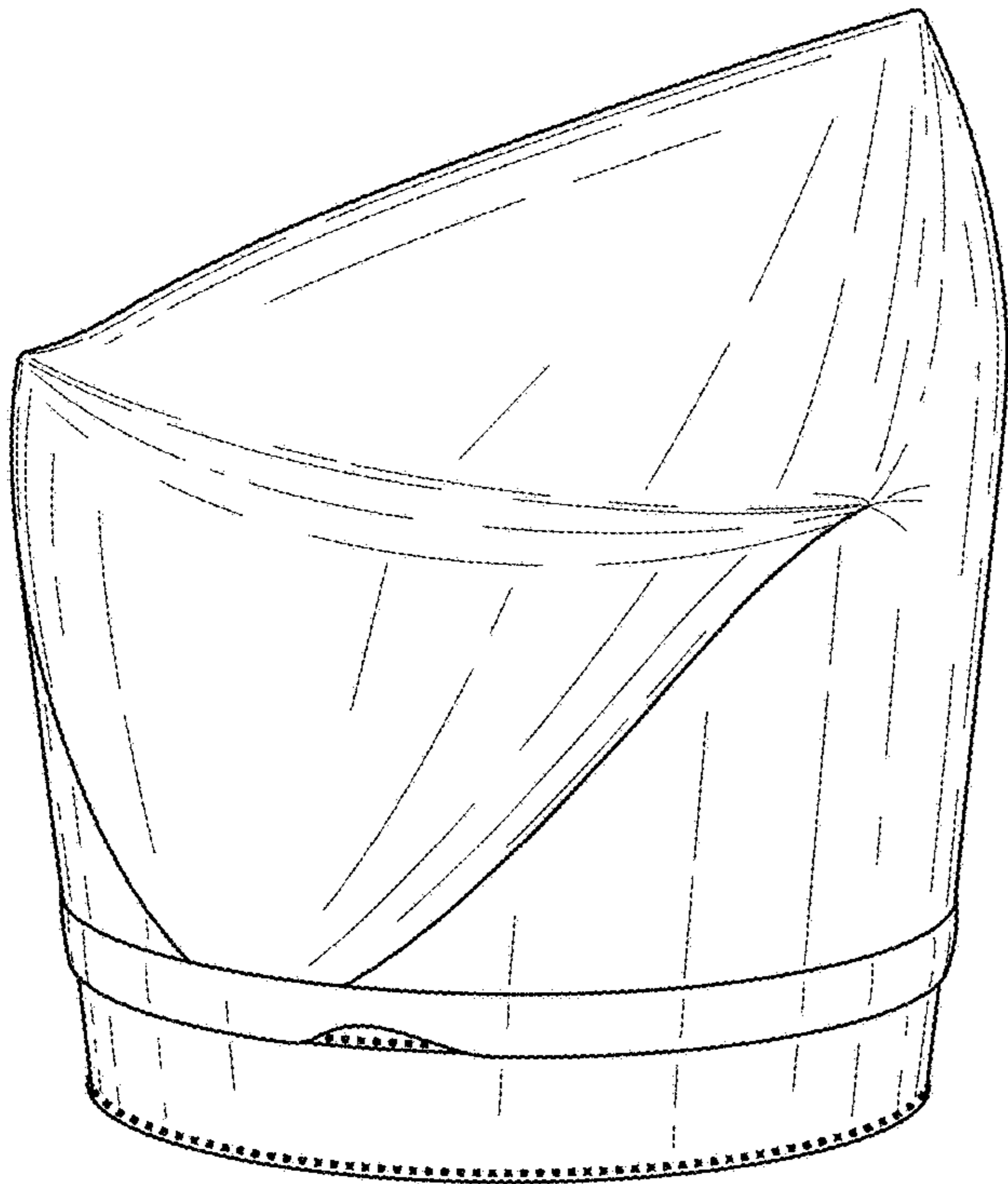


FIG. 1

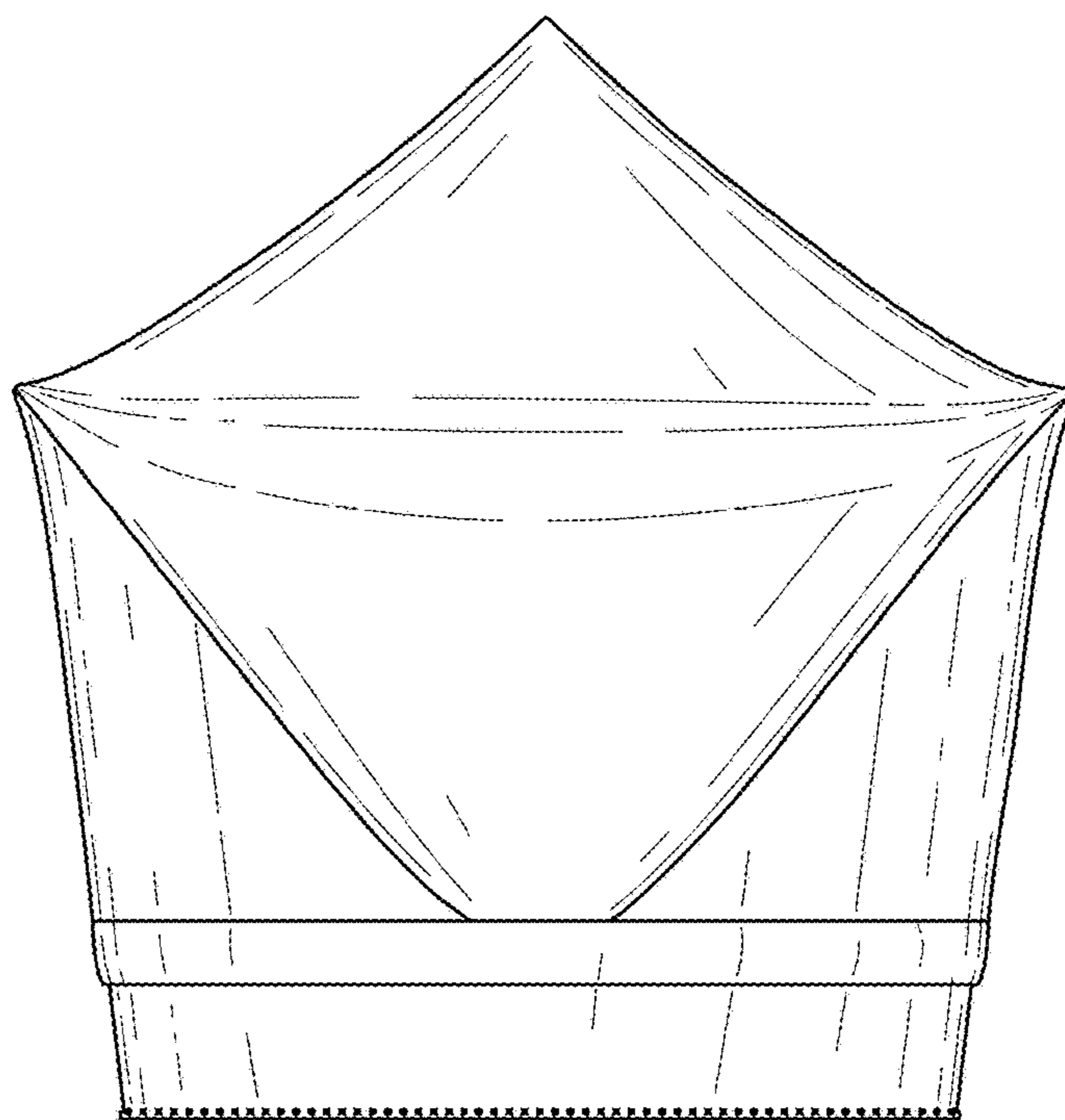


FIG. 2

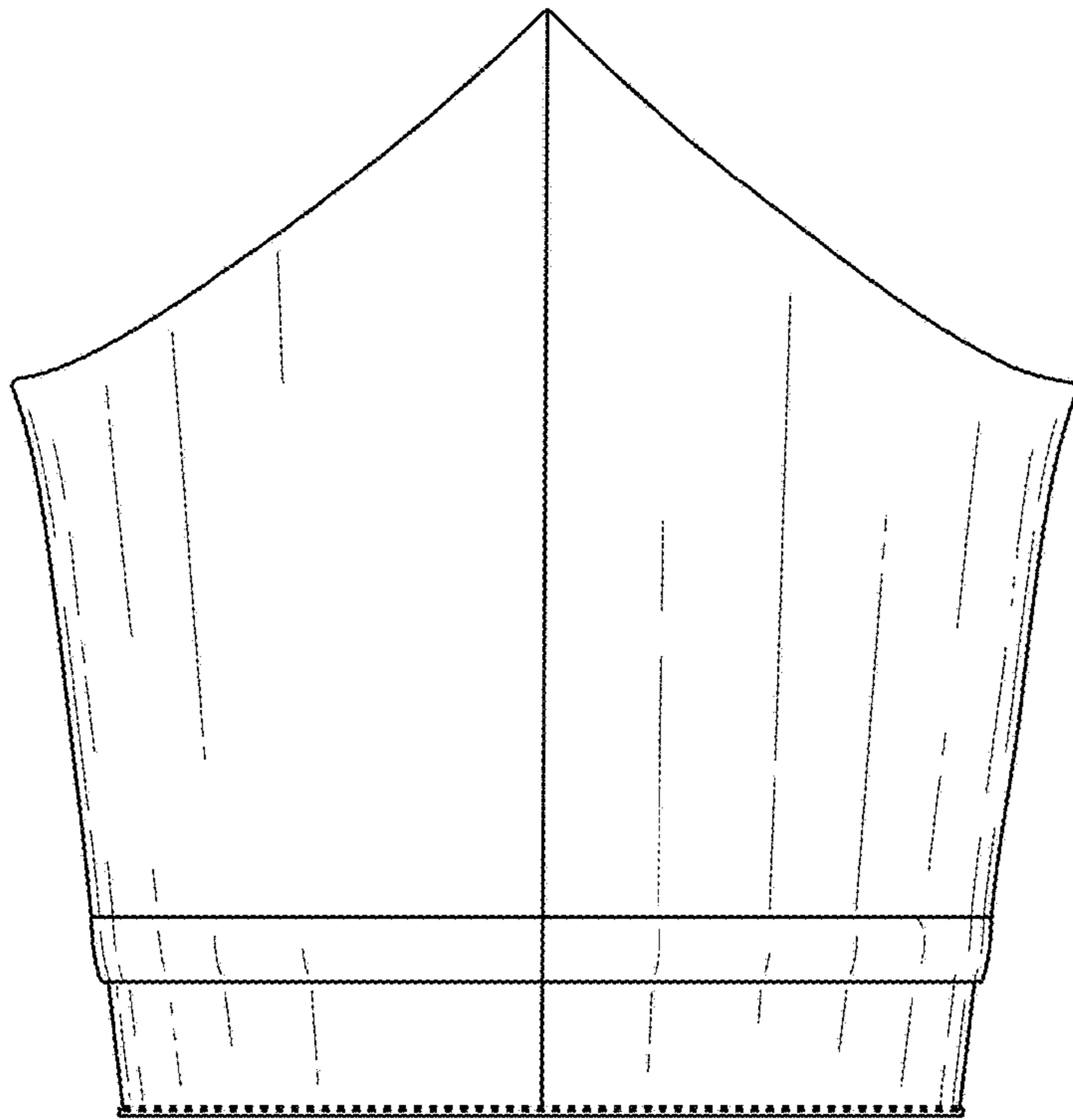


FIG. 3

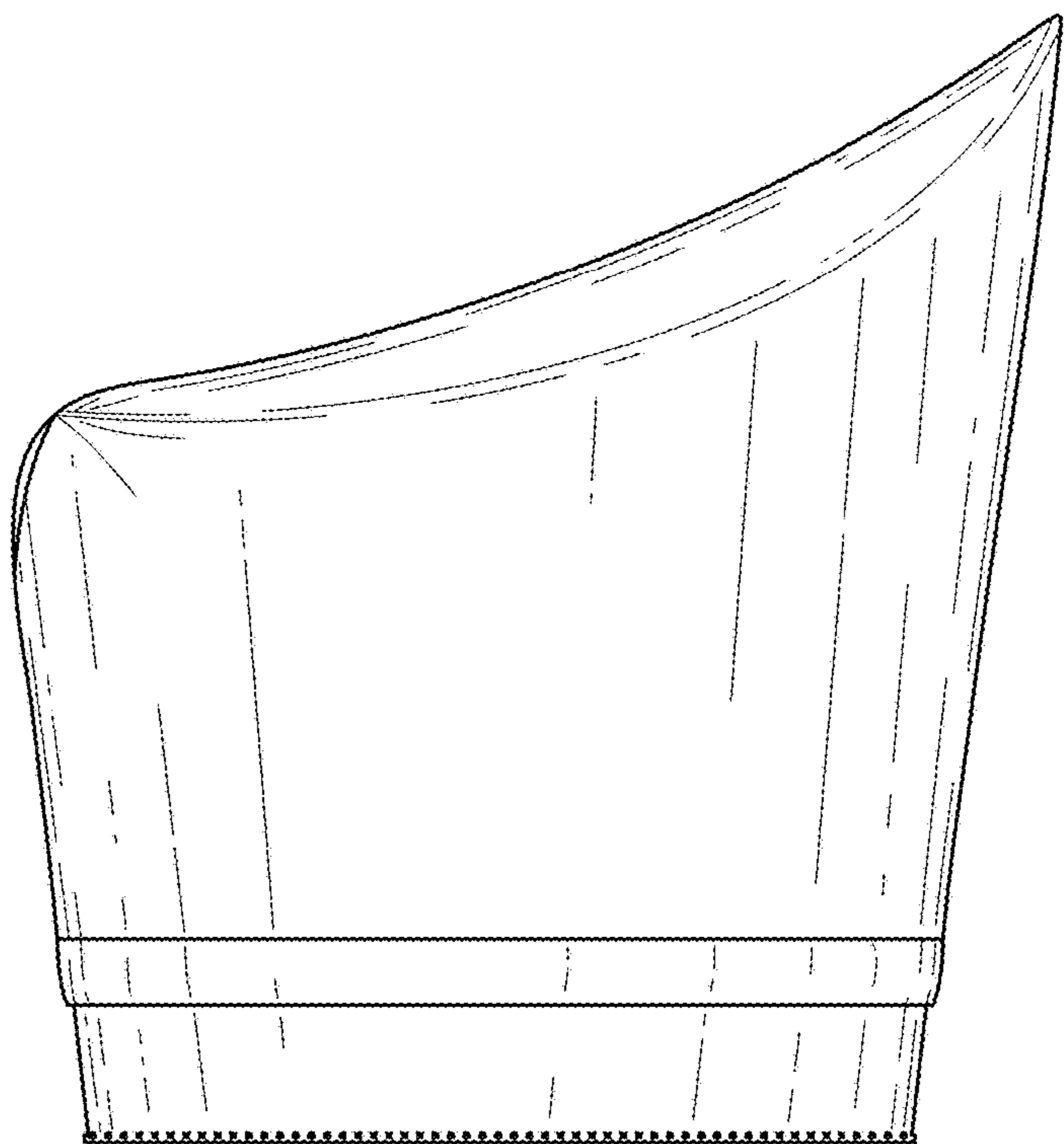


FIG. 4

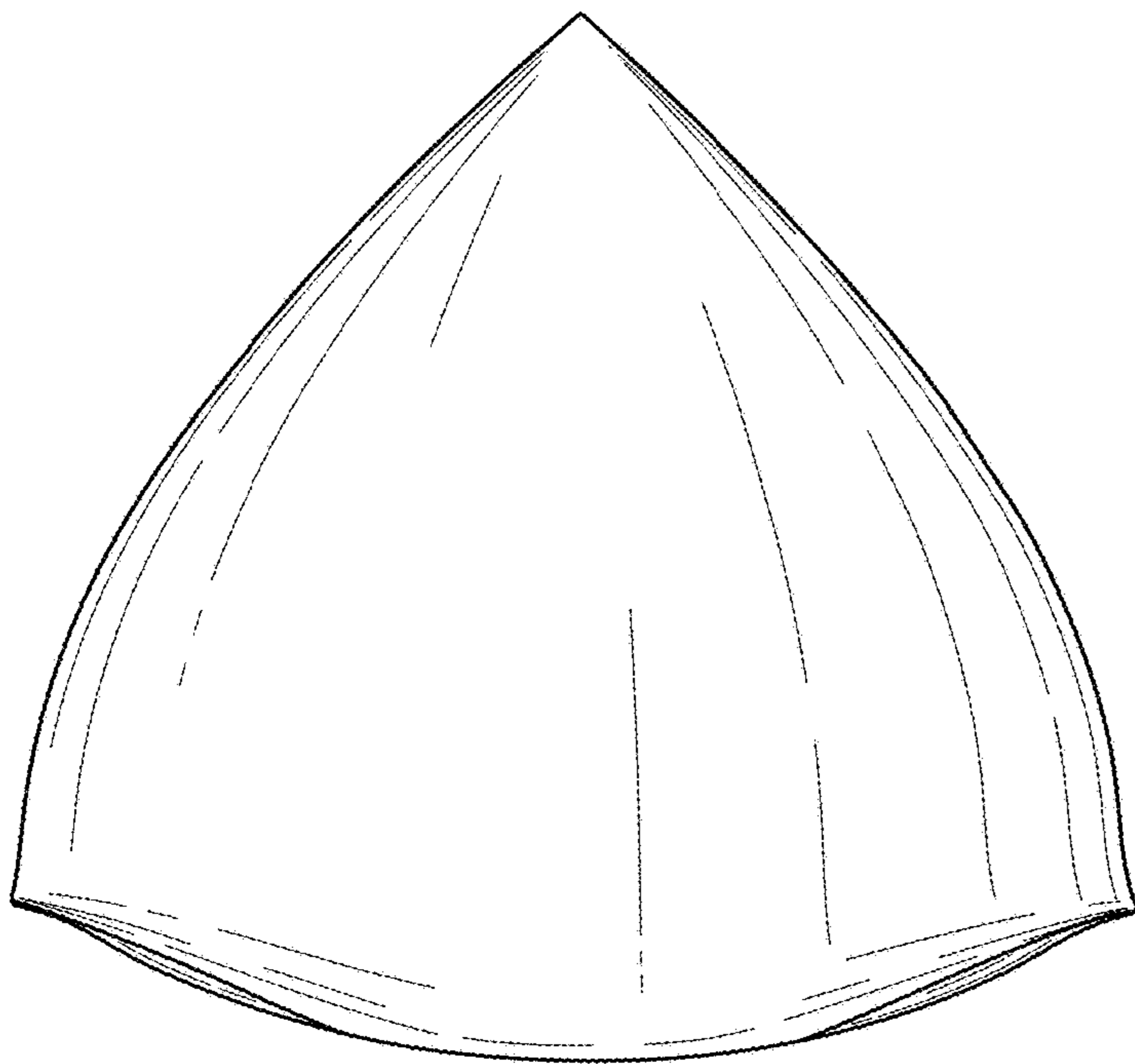


FIG. 5

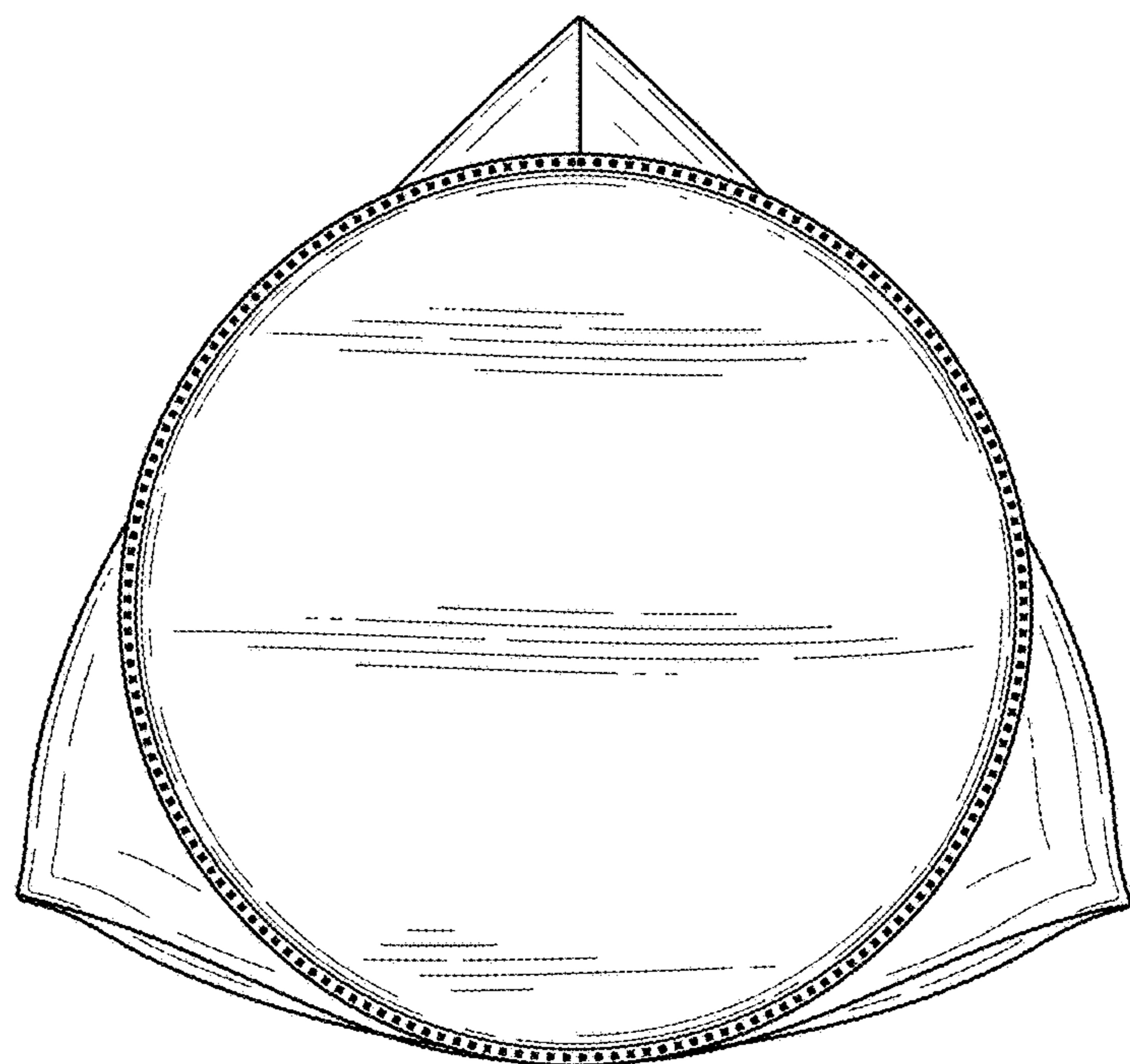


FIG. 6

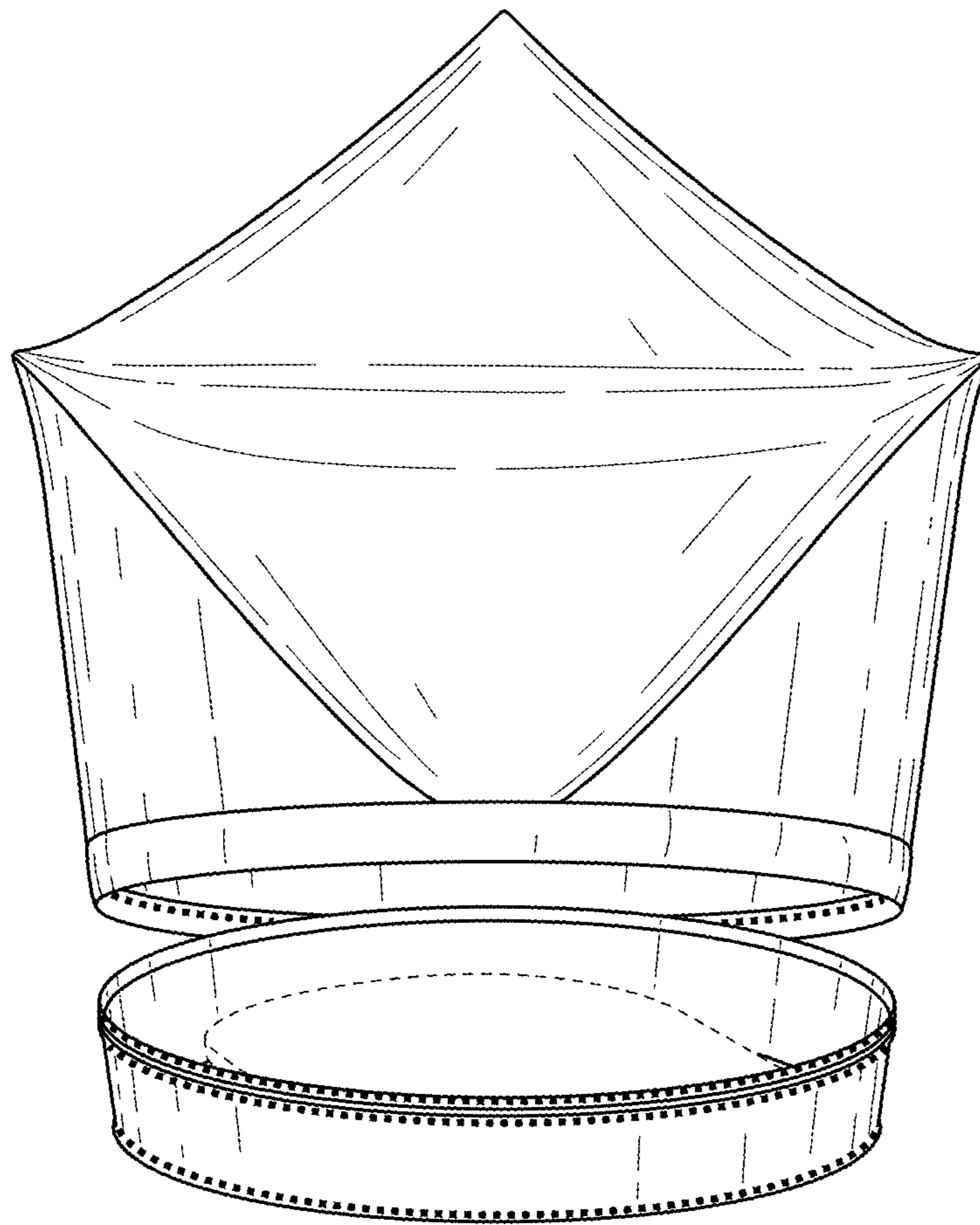


FIG. 7