



US00D814810S

(12) **United States Design Patent**  
**Vance**

(10) **Patent No.:** **US D814,810 S**

(45) **Date of Patent:** **\*\* Apr. 10, 2018**

(54) **CHAIR**

(71) Applicant: **RH US, LLC**, Corte Madera, CA (US)

(72) Inventor: **Michael Vance**, San Anselmo, CA (US)

(73) Assignee: **RH US, LLC**, Corte Madera, CA (US)

(\*\*) Term: **15 Years**

(21) Appl. No.: **29/579,661**

(22) Filed: **Sep. 30, 2016**

(51) **LOC (11) Cl.** ..... **06-01**

(52) **U.S. Cl.**  
USPC ..... **D6/334**

(58) **Field of Classification Search**  
USPC ..... D6/334, 370, 373, 374, 375; 297/411.1,  
297/411.44, 445.1, 446.1; D30/118  
CPC .... A47C 3/03; A47C 4/02; A47C 4/03; A47C  
5/06; A47C 5/12; A47C 7/22  
See application file for complete search history.

(56) **References Cited**

**U.S. PATENT DOCUMENTS**

D234,988 S \* 4/1975 Lopez-Benitez ..... D6/334  
D266,716 S \* 11/1982 Caldwell ..... D6/373

D288,748 S \* 3/1987 Klein ..... D6/334  
D378,028 S \* 2/1997 Schefcik ..... D30/118  
D438,398 S \* 3/2001 Frinier ..... D6/375  
D538,054 S \* 3/2007 Lissoni ..... D6/334  
D584,900 S \* 1/2009 Hackethal ..... D6/334  
D661,118 S \* 6/2012 Massaud ..... D6/374  
D677,475 S \* 3/2013 Bellini ..... D6/334  
D715,568 S \* 10/2014 Davis ..... D6/370  
D798,625 S \* 10/2017 Baylar ..... D6/373  
D799,231 S \* 10/2017 Baylar ..... D6/373

\* cited by examiner

*Primary Examiner* — Ian Simmons

*Assistant Examiner* — Keith J Wilson

(74) *Attorney, Agent, or Firm* — Lewis Roca Rothgerber  
Christie LLP

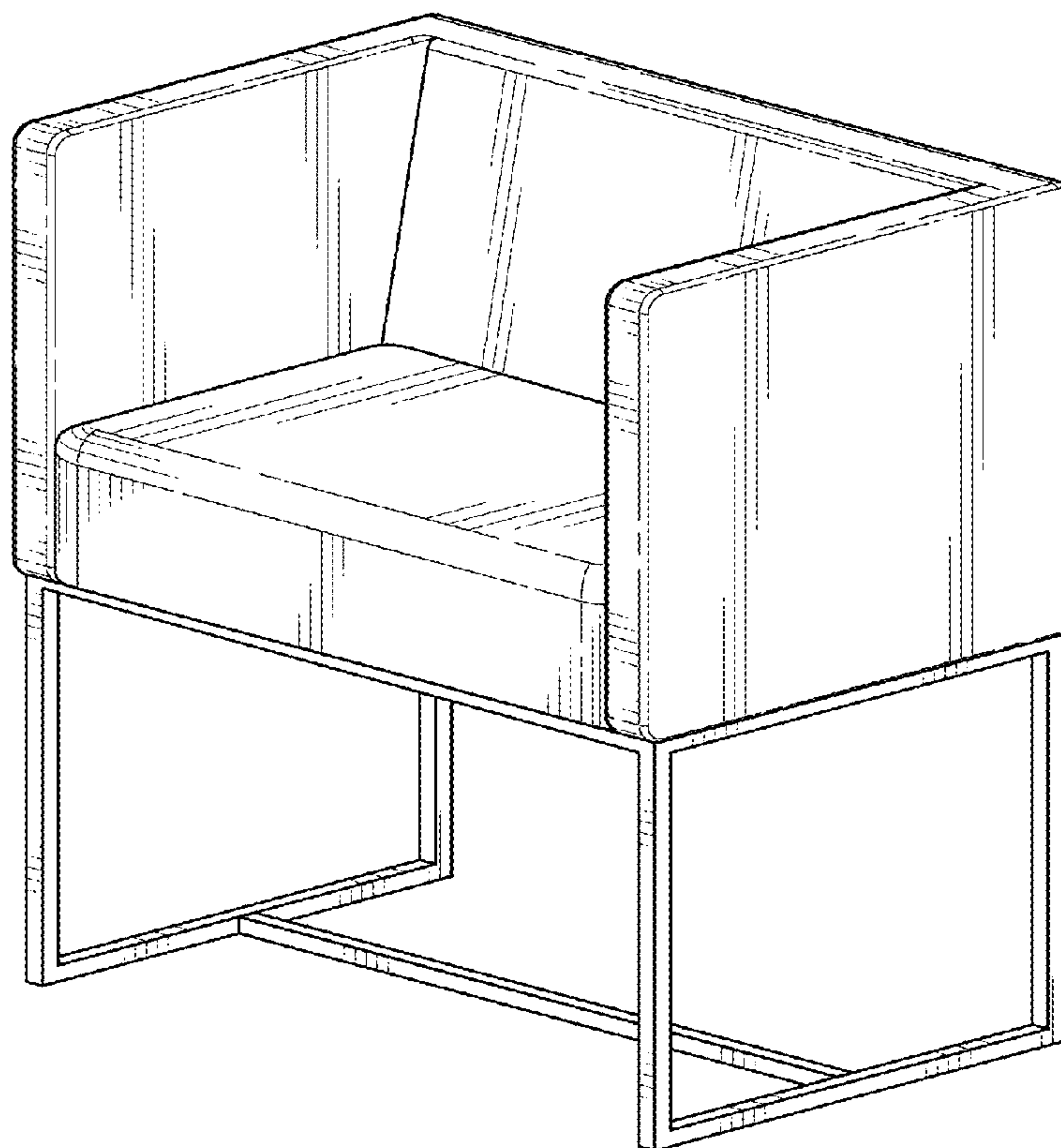
(57) **CLAIM**

The ornamental design for a chair, as shown and described.

**DESCRIPTION**

FIG. 1 is a front and right side perspective view of an exemplary chair showing my new design;  
FIG. 2 is a front elevation view thereof;  
FIG. 3 is a rear elevation view thereof;  
FIG. 4 is a left side elevation view thereof, the right side being a mirror image; and,  
FIG. 5 is a top plan view thereof.

**1 Claim, 4 Drawing Sheets**



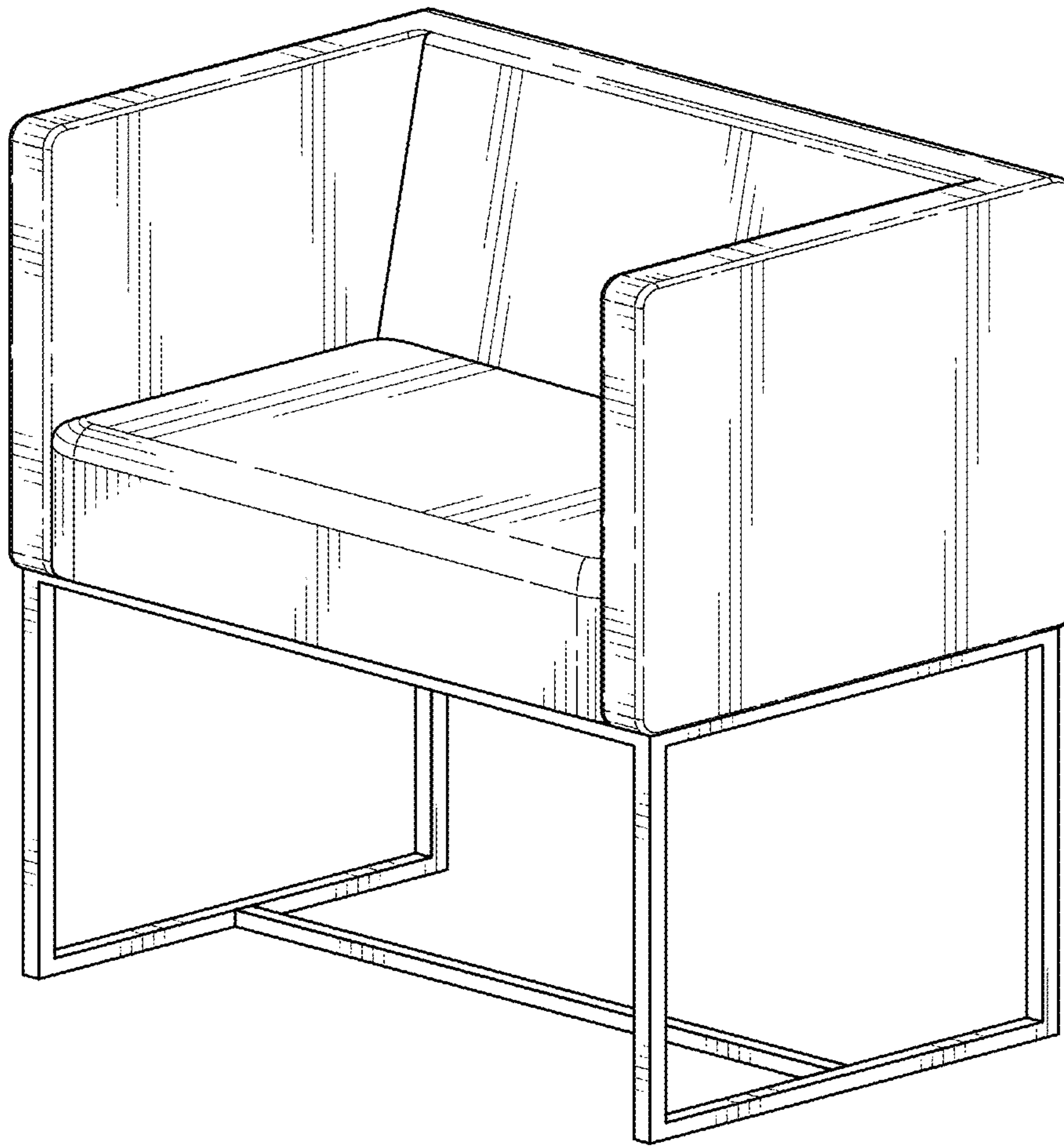


FIG. 1

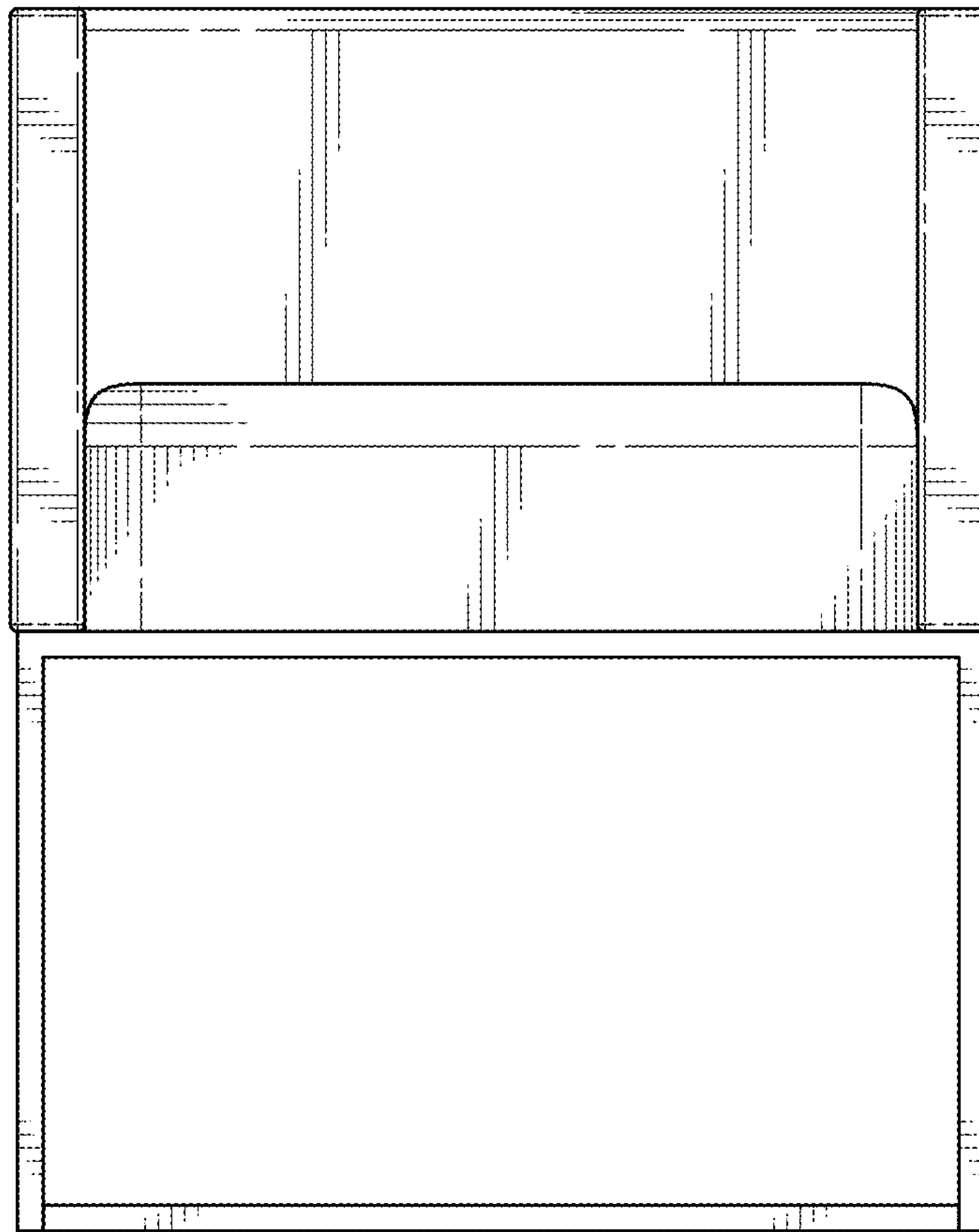


FIG. 2

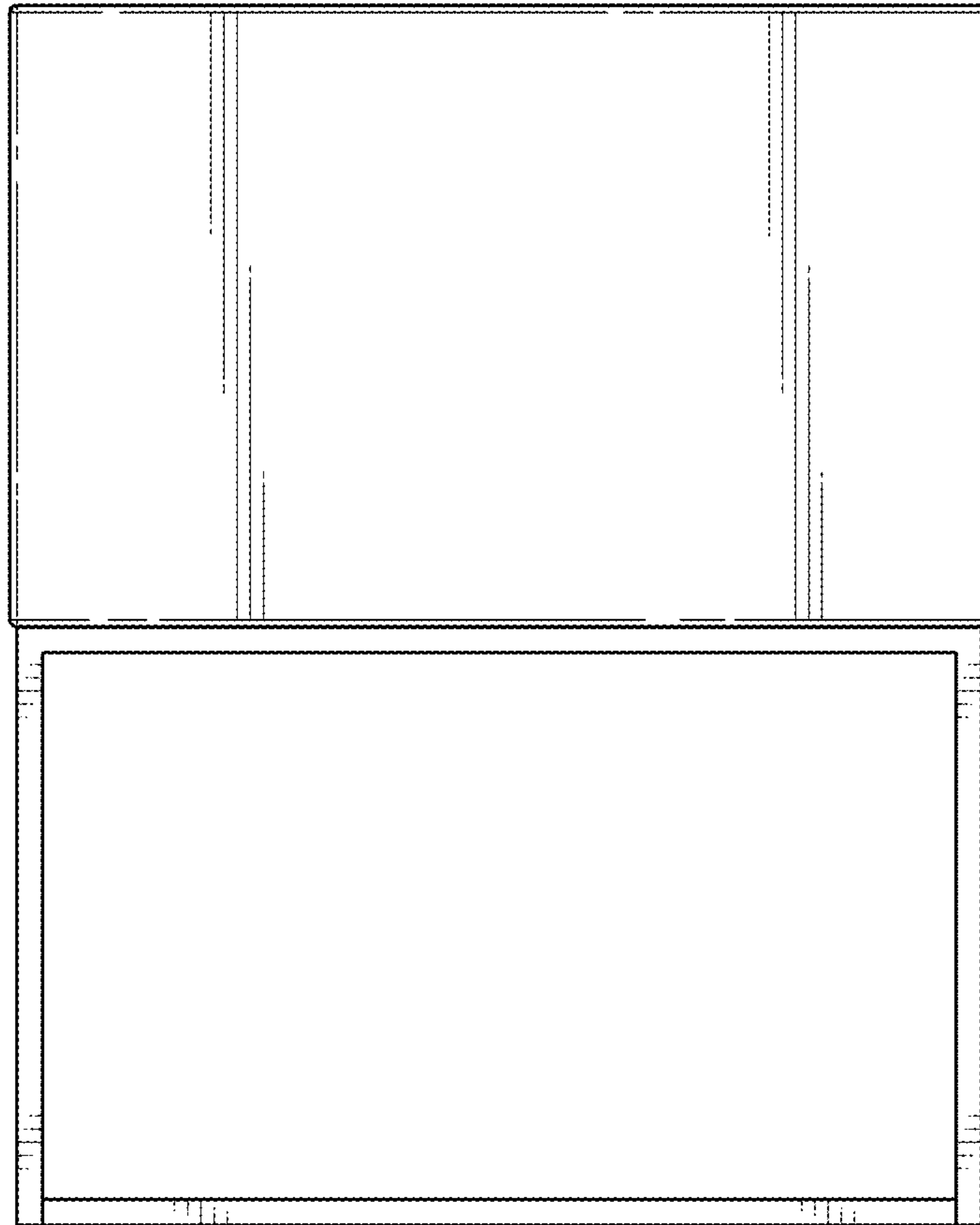


FIG. 3

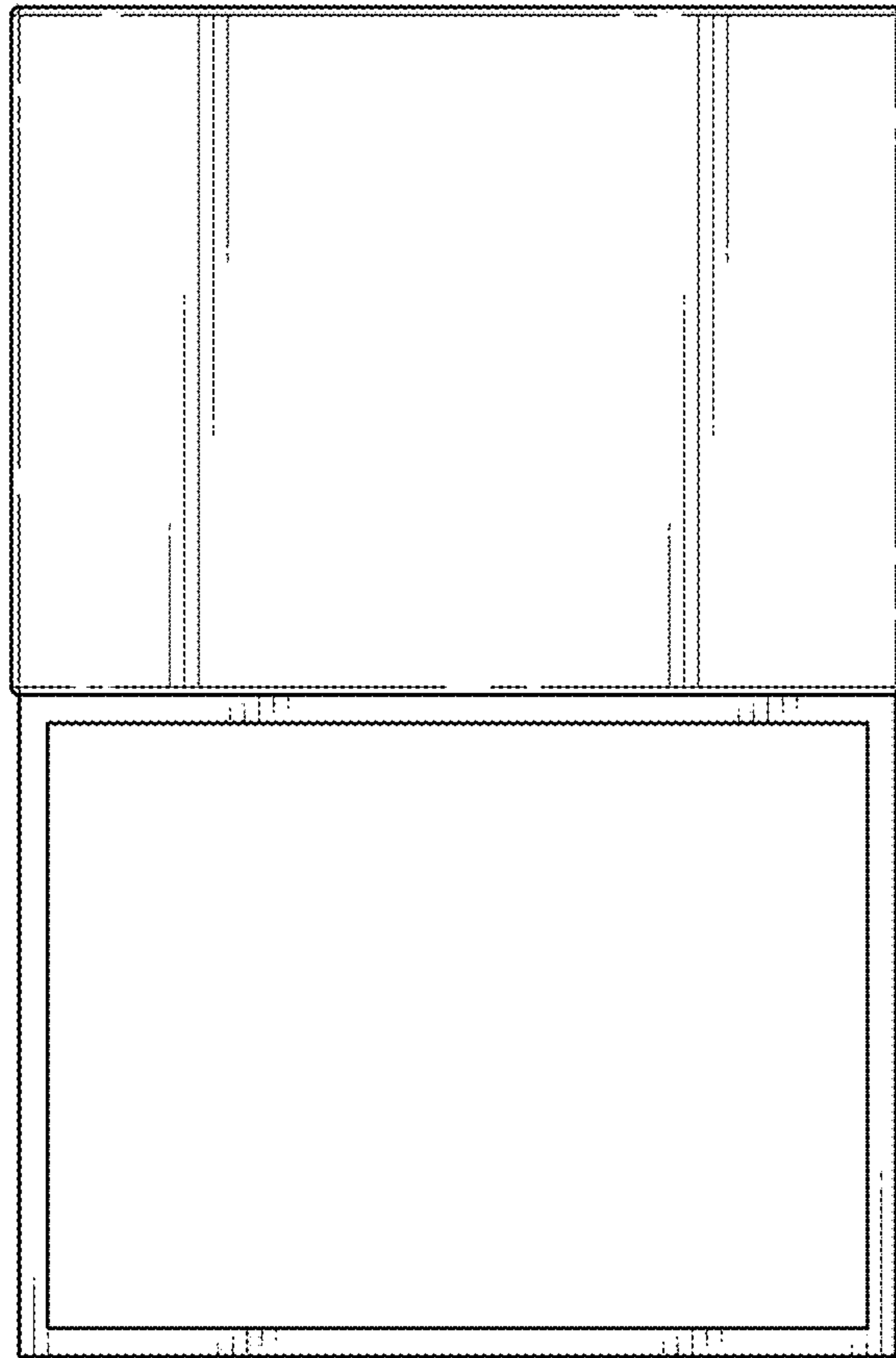


FIG. 4

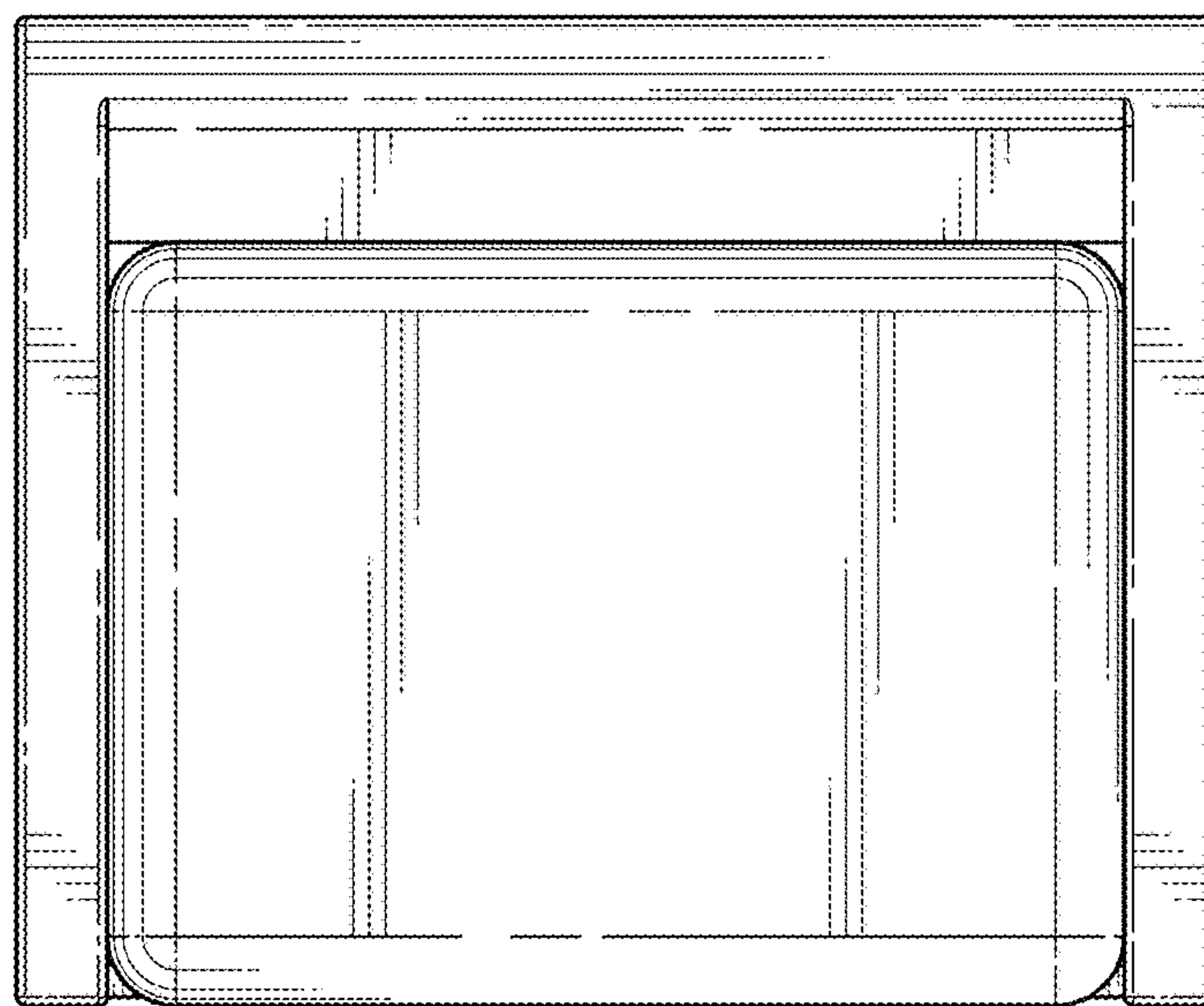


FIG. 5