



US00D814805S

(12) **United States Design Patent** (10) **Patent No.:** **US D814,805 S**  
**Hwang** (45) **Date of Patent:** **\*\* Apr. 10, 2018**

- (54) **BRUSH CLEANING MAT**
- (71) Applicant: **BAOSHENG CORPORATION**,  
Gyeonggi-do (KR)
- (72) Inventor: **Sae Hee Hwang**, Gyeonggi-do (KR)
- (73) Assignee: **BAOSHENG CORPORATION**,  
Gyeonggi-do (KR)
- (\*\*) Term: **15 Years**
- (21) Appl. No.: **29/589,749**
- (22) Filed: **Jan. 4, 2017**
- (51) **LOC (11) Cl.** ..... **04-99**
- (52) **U.S. Cl.**  
USPC ..... **D4/199**
- (58) **Field of Classification Search**  
USPC ..... D3/228, 269, 300; D4/199; D9/702,  
D9/711, 712; 15/246, 247; 150/161;  
206/15.3, 284, 361, 362.2, 362.3, 362.4;  
428/34.3  
CPC .. A46B 17/04; A46B 2200/202; B65D 25/105  
See application file for complete search history.

- D679,909 S \* 4/2013 Wales ..... D4/124
- D684,375 S \* 6/2013 Bona-Kustra ..... D4/138
- D727,035 S \* 4/2015 Herrmann ..... D4/199
- D766,590 S \* 9/2016 Lee ..... D28/10
- D785,951 S \* 5/2017 Rosenzweig ..... D4/199
- D792,034 S \* 7/2017 Dornbierer ..... D30/158
- 2004/0254587 A1 \* 12/2004 Park ..... A61B 17/54  
606/131

\* cited by examiner

*Primary Examiner* — Austin Murphy

(74) *Attorney, Agent, or Firm* — Baker Hostetler LLP

(57) **CLAIM**

The ornamental design for a brush cleaning mat, as shown and described.

**DESCRIPTION**

FIG. 1 is a front perspective view of a brush cleaning mat showing my new design;  
 FIG. 2 is a front elevation view thereof;  
 FIG. 3 is a rear elevation view thereof;  
 FIG. 4 is a left side elevation view thereof;  
 FIG. 5 is a right side elevation view thereof;  
 FIG. 6 is a top plan view thereof;  
 FIG. 7 is a bottom plan view thereof;  
 FIG. 8 is a bottom perspective view thereof; and,  
 FIG. 9 is a rear perspective view thereof.

The dashed broken lines in the drawings represent portions of the brush cleaning mat that form no part of the claimed design.

**1 Claim, 9 Drawing Sheets**

(56) **References Cited**

**U.S. PATENT DOCUMENTS**

- D595,510 S \* 7/2009 Choi ..... D4/199
- D601,351 S \* 10/2009 Wales ..... D4/130
- D610,753 S \* 2/2010 Moskowitz ..... D30/158
- D661,907 S \* 6/2012 Birkland ..... D4/199

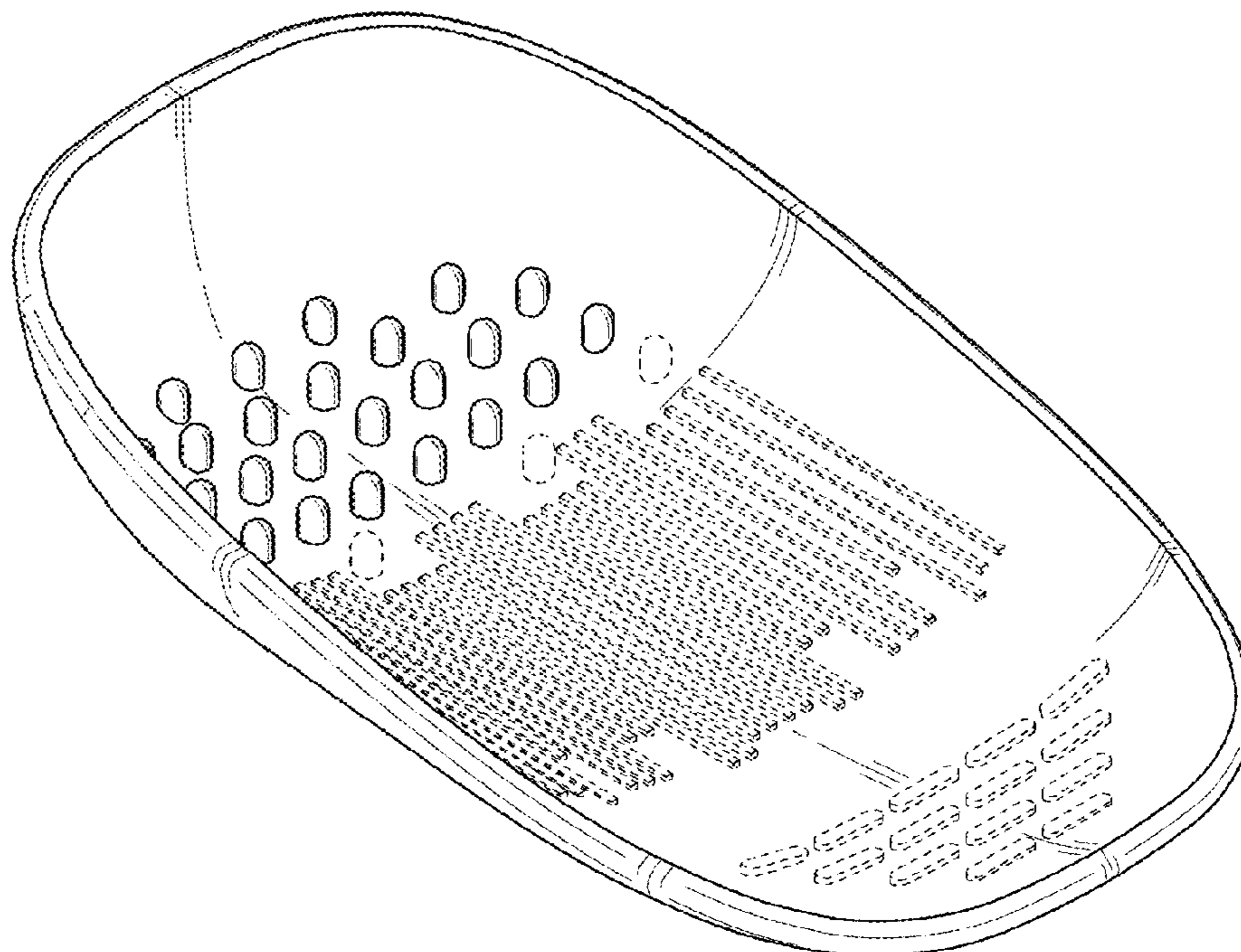


FIG. 1

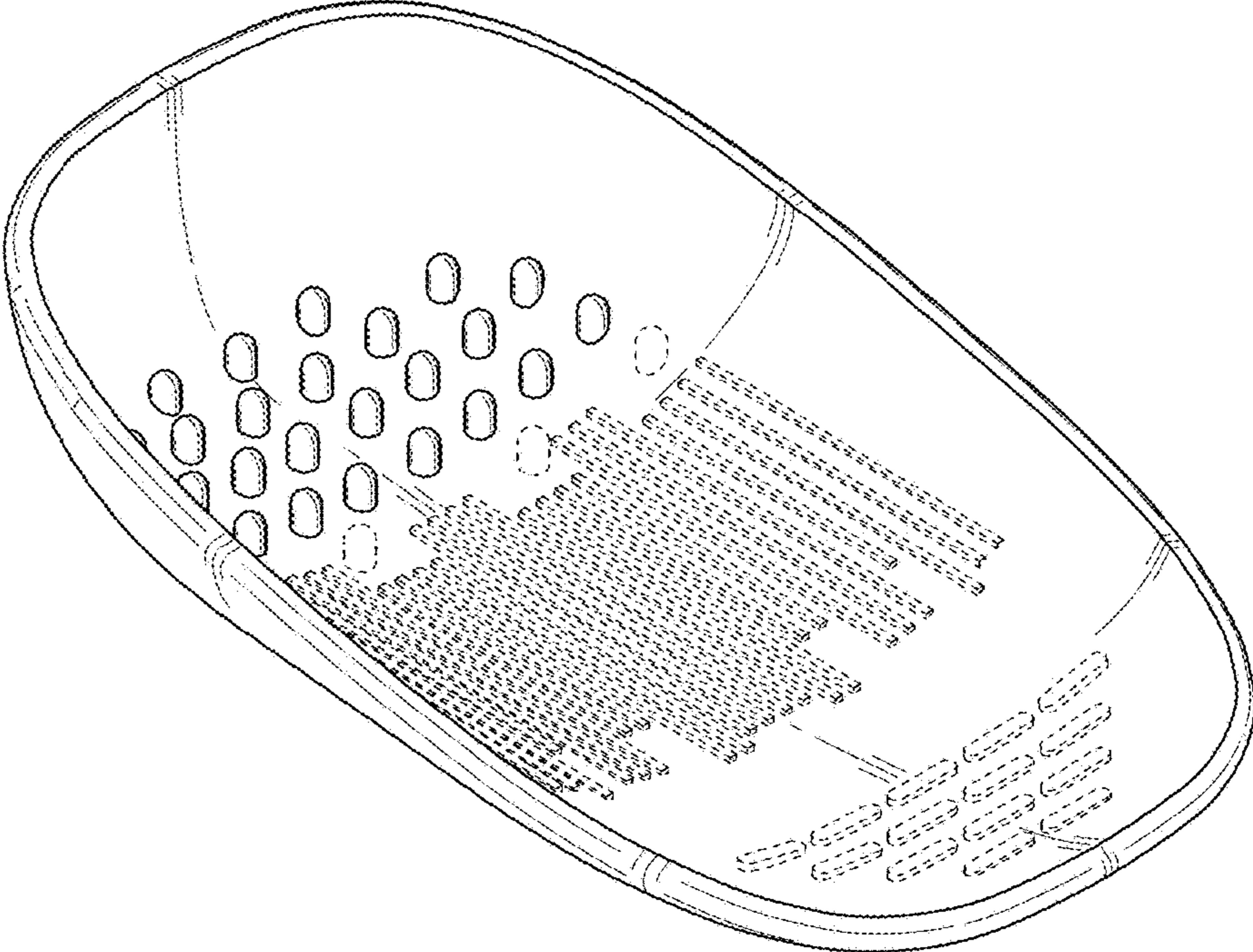


FIG. 2

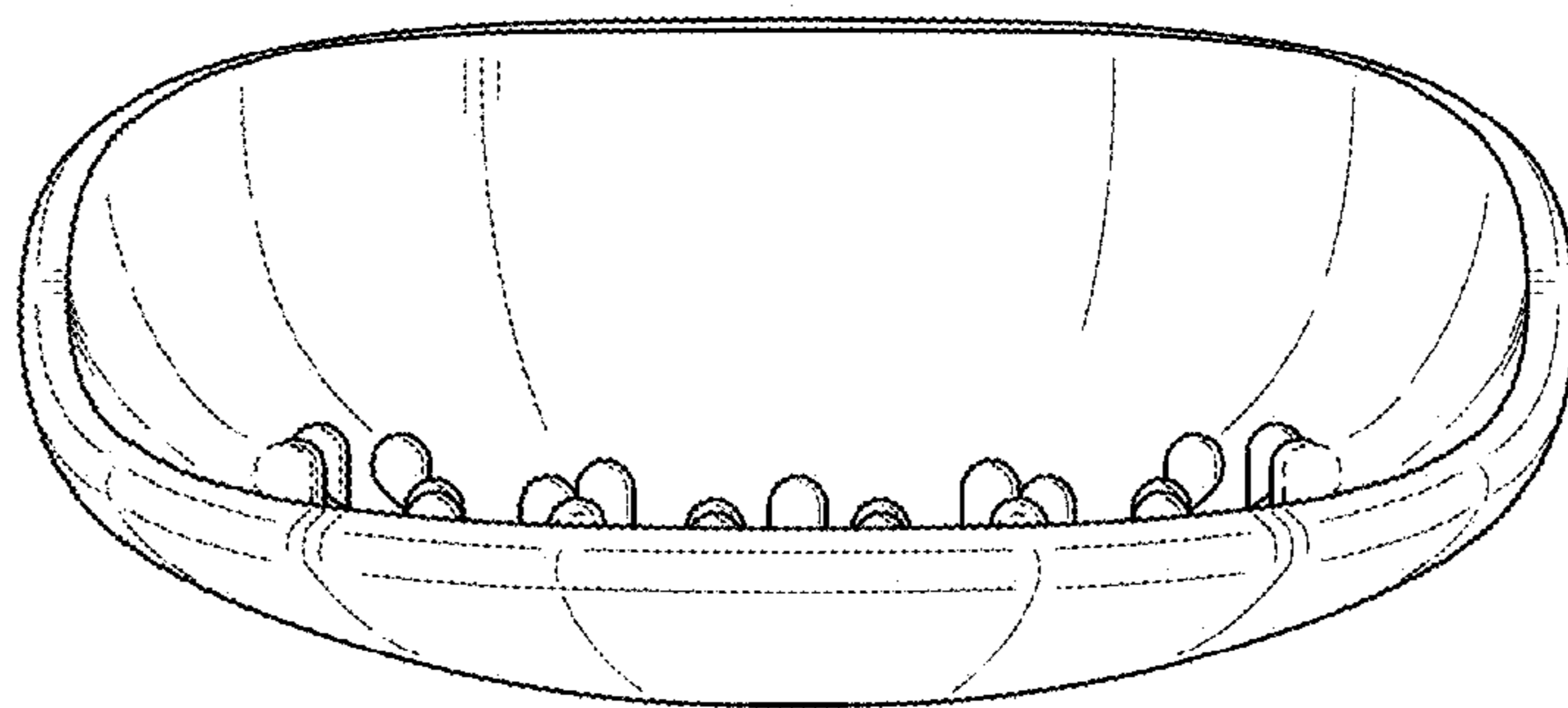


FIG. 3

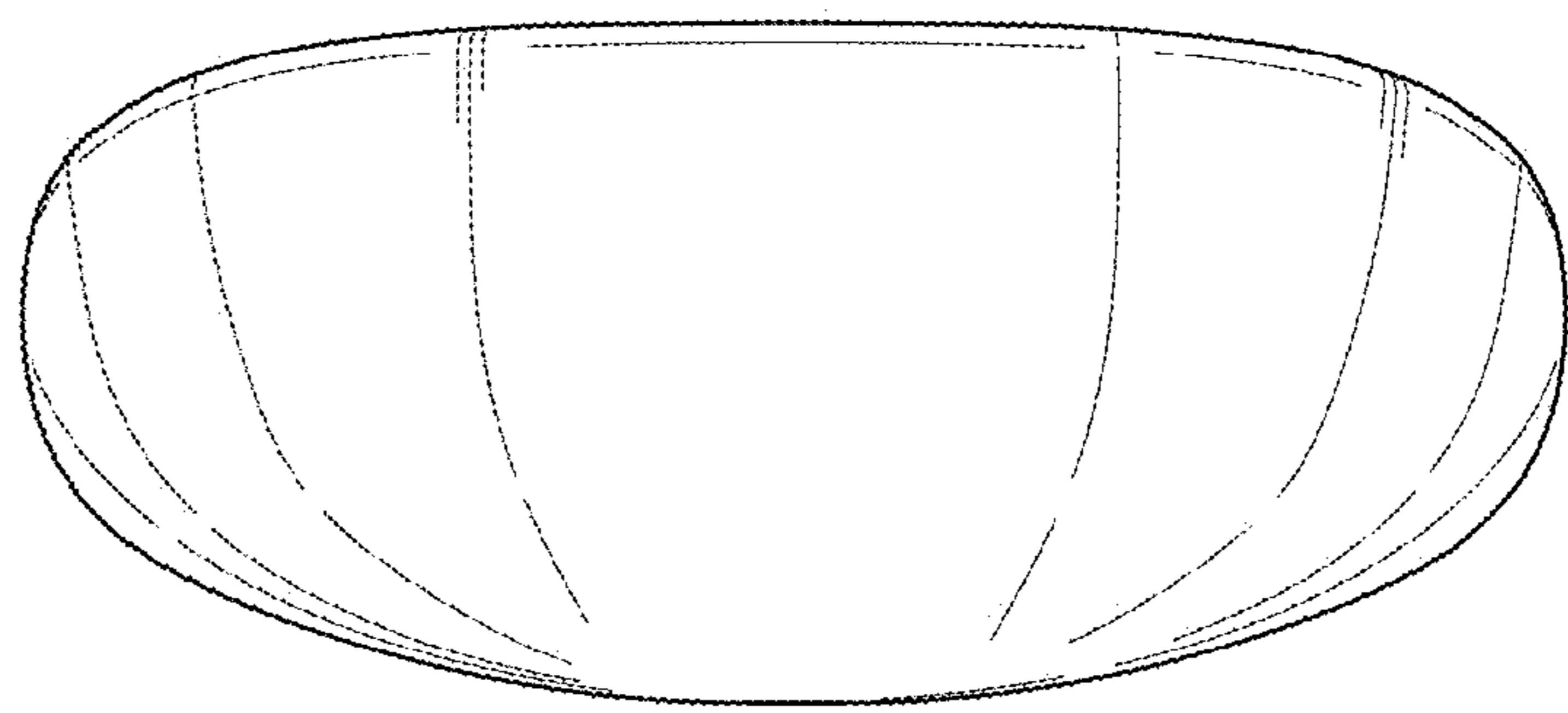


FIG. 4

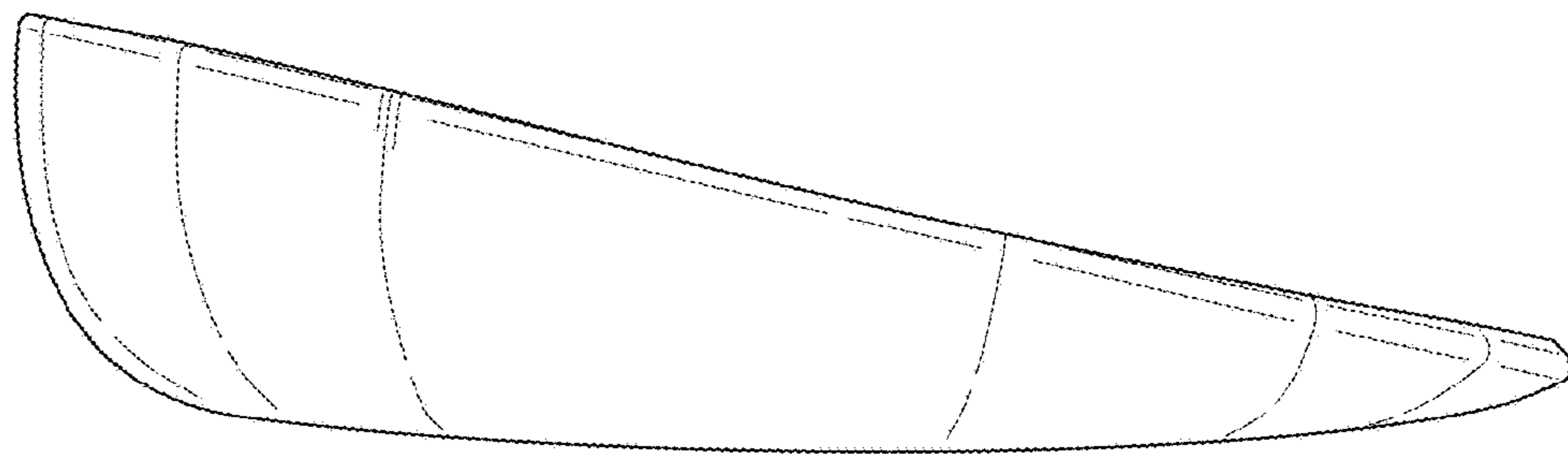


FIG. 5

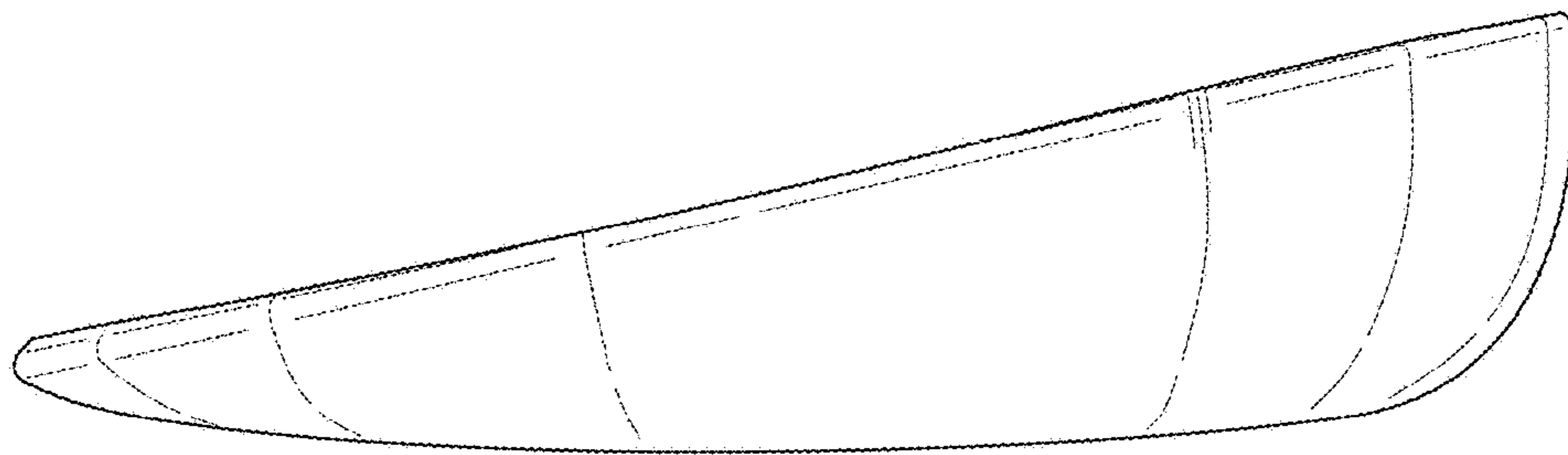


FIG. 6

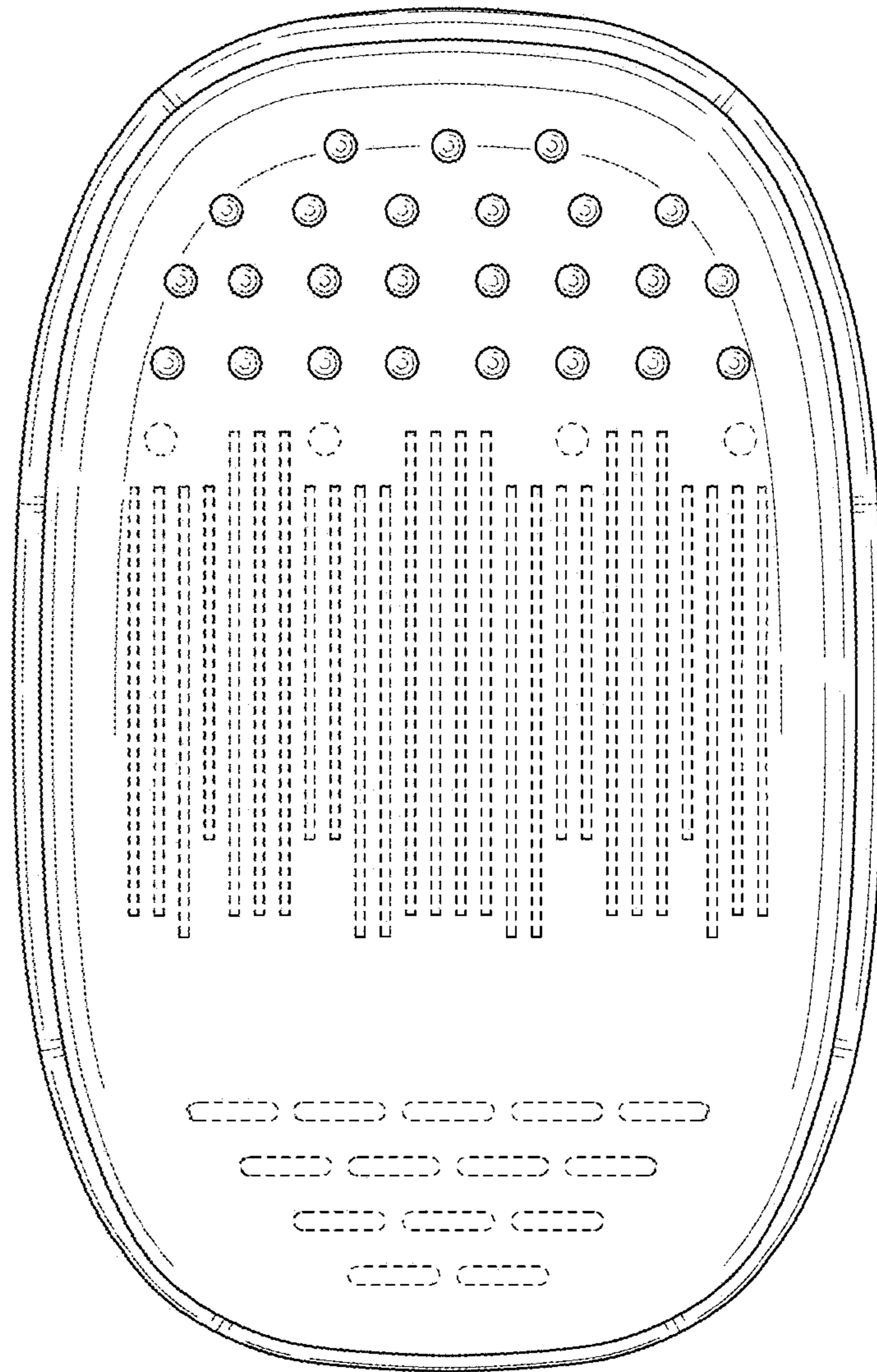


FIG. 7

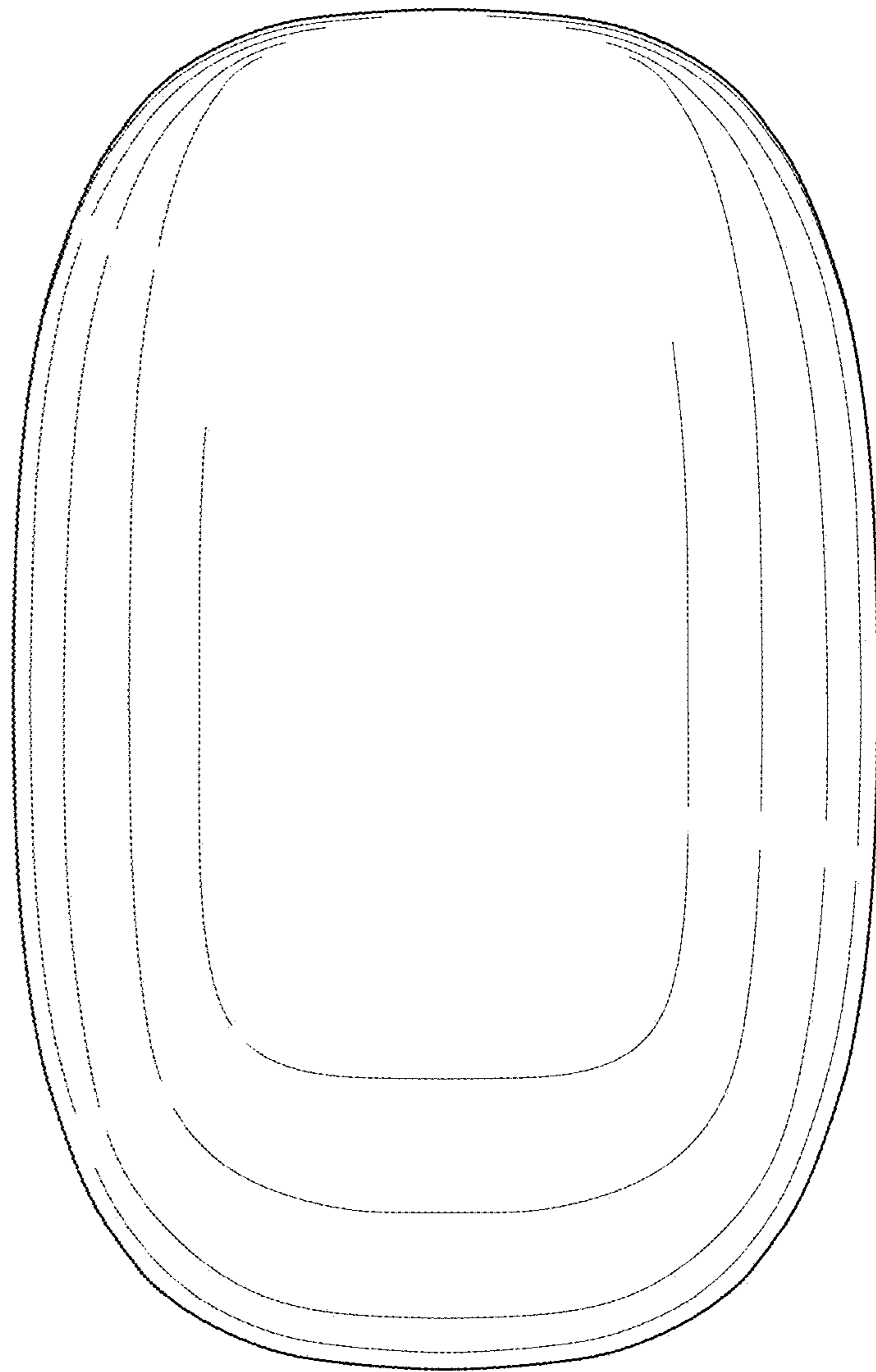




FIG. 8

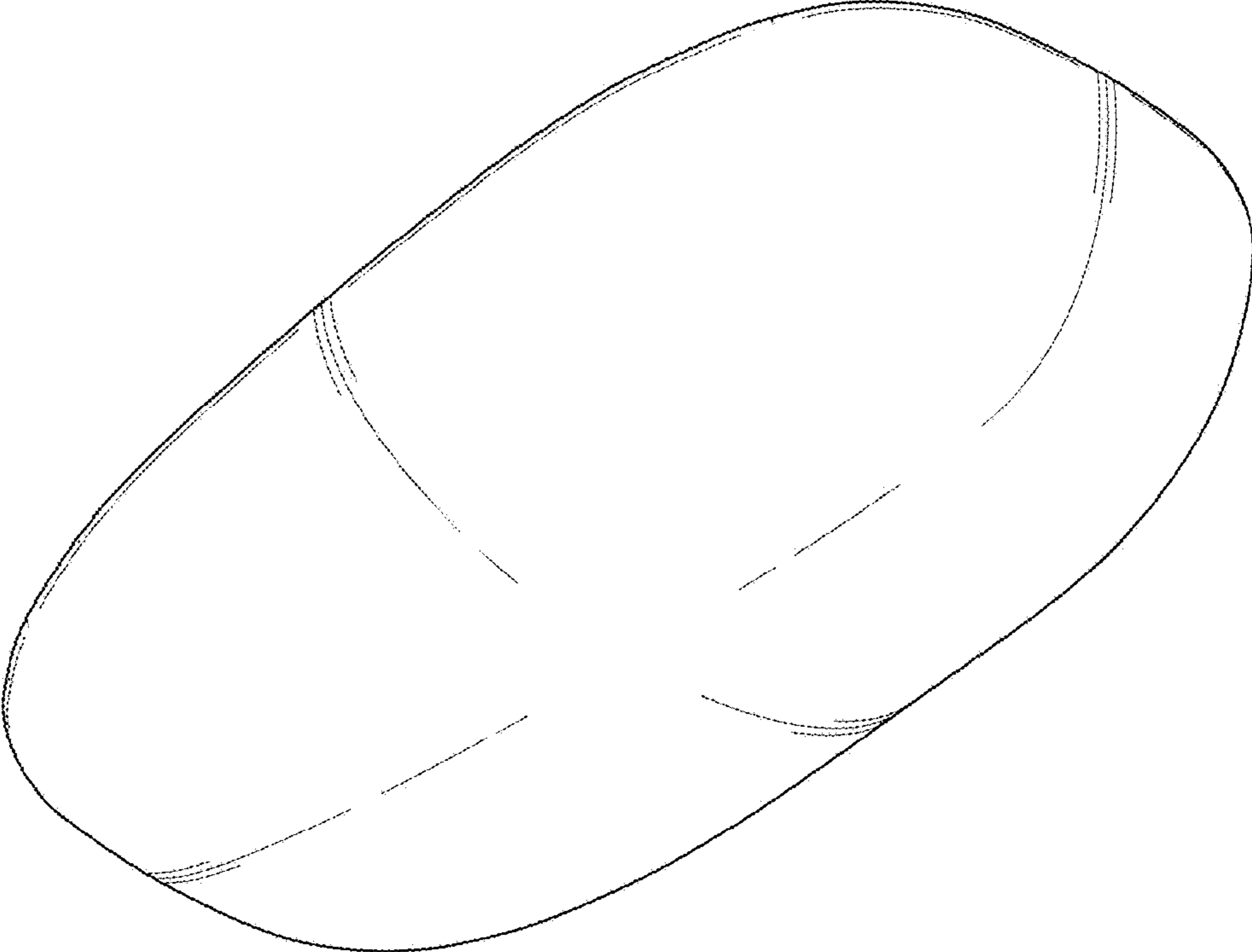


FIG. 9

