



US00D814801S

(12) **United States Design Patent** (10) **Patent No.:** **US D814,801 S**
Arvinte et al. (45) **Date of Patent:** **** Apr. 10, 2018**

- (54) **ADJUSTABLE ROLLER FRAME**
- (71) Applicant: **A. RICHARD TOOLS CO.,**
Berthierville (CA)
- (72) Inventors: **Roméo Arvinte**, Laval-des-Rapides
(CA); **François Panfili**, Berthierville
(CA)
- (73) Assignee: **A. RICHARD TOOLS CO.,**
Berthierville, Quebec (CA)
- (**) Term: **15 Years**
- (21) Appl. No.: **29/601,434**
- (22) Filed: **Apr. 21, 2017**
- (51) **LOC (11) Cl.** **04-01**
- (52) **U.S. Cl.**
USPC **D4/122**
- (58) **Field of Classification Search**
USPC D4/122, 138; 15/27, 104.001, 104.002,
15/230.11; 492/13, 16-19
CPC B05C 1/00; B05C 1/02; B05C 17/0205;
B44D 2/00
See application file for complete search history.

- (56) **References Cited**
- U.S. PATENT DOCUMENTS
- 4,077,082 A * 3/1978 Roe B05C 17/02
15/230.11
- D258,043 S 1/1981 Gregoire
- D263,277 S 3/1982 Gregoire
- D320,888 S * 10/1991 Parizek D4/122
- D414,395 S 9/1999 Panfili
- D431,993 S 10/2000 Panfili et al.
- 6,141,821 A * 11/2000 Chin B05C 17/023
15/230
- D435,408 S 12/2000 Panfili et al.
- D459,587 S * 7/2002 Newman D4/122
- D463,639 S 9/2002 Panfili et al.

- D474,389 S 5/2003 Panfili et al.
- 6,629,331 B2 10/2003 Panfili et al.
- 6,719,620 B1 4/2004 Panfili et al.
- 6,726,868 B1 4/2004 Panfili et al.
- 6,742,215 B2 6/2004 Panfili et al.
- 6,775,912 B2 8/2004 Panfili et al.
- D511,045 S * 11/2005 Donoghue D4/122
- D541,998 S 5/2007 Panfili et al.
- D555,361 S 11/2007 Arvinte
- D555,362 S 11/2007 Arvinte
- D555,363 S 11/2007 Arvinte
- (Continued)

Primary Examiner — Austin Murphy
 (74) *Attorney, Agent, or Firm* — Merchant & Gould P.C.

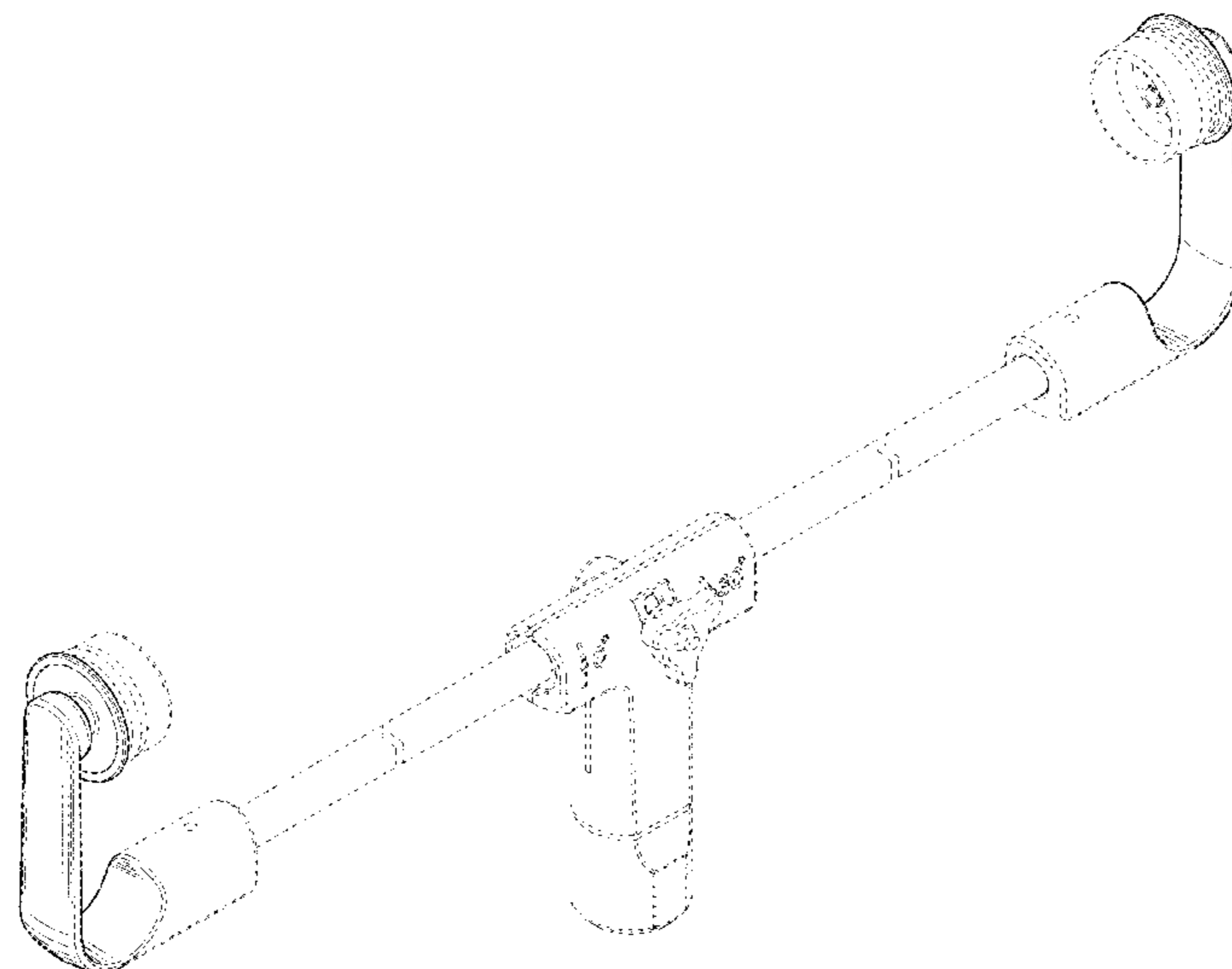
(57) **CLAIM**

The ornamental design for an adjustable roller frame, as shown and described.

DESCRIPTION

FIG. 1 is a front perspective view of an adjustable roller frame shown in a straightened operating configuration; FIG. 2 is a rear perspective view thereof; FIG. 3 is a front elevational view thereof; FIG. 4 is a rear elevational view thereof; FIG. 5 is a left side view thereof; FIG. 6 is a right side view thereof; FIG. 7 is a top view thereof; FIG. 8 is a bottom view thereof; FIG. 9 is a front perspective thereof, with the adjustable roller frame shown in an angled operating configuration; FIGS. 10-12 are side views thereof, with the adjustable roller frame being shown in various different intermediate angled operating configurations; and, FIG. 13 is a front perspective of the adjustable roller frame shown in FIG. 9 provided with a corresponding paint roller. The portions shown in broken lines form no part of the claimed design.

1 Claim, 9 Drawing Sheets



(56)

References Cited

U.S. PATENT DOCUMENTS

D567,053 S 4/2008 Panfili
 7,384,328 B2 6/2008 Panfili
 D573,863 S 7/2008 Arvinte et al.
 D580,731 S 11/2008 Arvinte et al.
 D583,521 S 12/2008 Arvinte et al.
 D584,059 S 1/2009 Arvinte et al.
 D584,870 S 1/2009 Arvinte et al.
 D584,871 S 1/2009 Arvinte et al.
 D586,515 S 2/2009 Arvinte et al.
 D592,822 S 5/2009 Boucher et al.
 D612,120 S 3/2010 Panfili et al.
 D616,650 S * 6/2010 Saadian D4/122
 D622,063 S * 8/2010 Isaac D4/122
 D623,918 S 9/2010 Arvinte et al.
 D630,856 S 1/2011 Arvinte et al.
 D634,549 S 3/2011 Arvinte et al.
 D637,819 S 5/2011 Arvinte et al.
 D638,223 S 5/2011 Arvinte et al.
 7,963,418 B2 6/2011 Arvinte et al.
 D644,905 S 9/2011 Arvinte et al.
 D645,627 S 9/2011 Arvinte et al.
 D649,862 S 12/2011 Arvinte et al.
 D652,283 S 1/2012 Arvinte et al.
 D656,808 S 4/2012 Arvinte et al.
 D659,503 S 5/2012 Arvinte et al.
 D665,548 S 8/2012 Arvinte et al.
 8,256,638 B2 9/2012 Arvinte et al.
 D675,391 S 1/2013 Arvinte et al.
 D681,343 S 5/2013 Arvinte et al.

D696,826 S * 12/2013 Seehoff D32/35
 D697,955 S 1/2014 Arvinte
 8,628,381 B2 1/2014 Arvinte et al.
 D700,784 S * 3/2014 Arvinte D4/122
 D710,199 S 8/2014 Arvinte et al.
 D712,156 S 9/2014 Arvinte et al.
 D712,227 S 9/2014 Arvinte et al.
 D712,610 S 9/2014 Arvinte et al.
 8,856,995 B2 10/2014 Arvinte et al.
 D720,592 S 1/2015 Arvinte
 D729,484 S 5/2015 Arvinte et al.
 D738,057 S 9/2015 Arvinte et al.
 D740,510 S 10/2015 Arvinte et al.
 D742,199 S 11/2015 Arvinte et al.
 D742,610 S 11/2015 Arvinte et al.
 D743,701 S 11/2015 Arvinte et al.
 D744,759 S 12/2015 Arvinte et al.
 D754,974 S 5/2016 Arvinte et al.
 D756,049 S 5/2016 Arvinte et al.
 D756,583 S 5/2016 Arvinte et al.
 9,358,665 B2 6/2016 Talbot et al.
 D766,199 S 9/2016 Arvinte
 D785,889 S 5/2017 Arvinte et al.
 D800,455 S * 10/2017 Ferris D4/122
 2004/0168276 A1 * 9/2004 Lye B05C 17/0217
 15/230.11
 2007/0017050 A1 * 1/2007 Lye B05C 17/0217
 15/230.11
 2008/0276400 A1 * 11/2008 Graham B05C 17/0217
 15/230.11

* cited by examiner

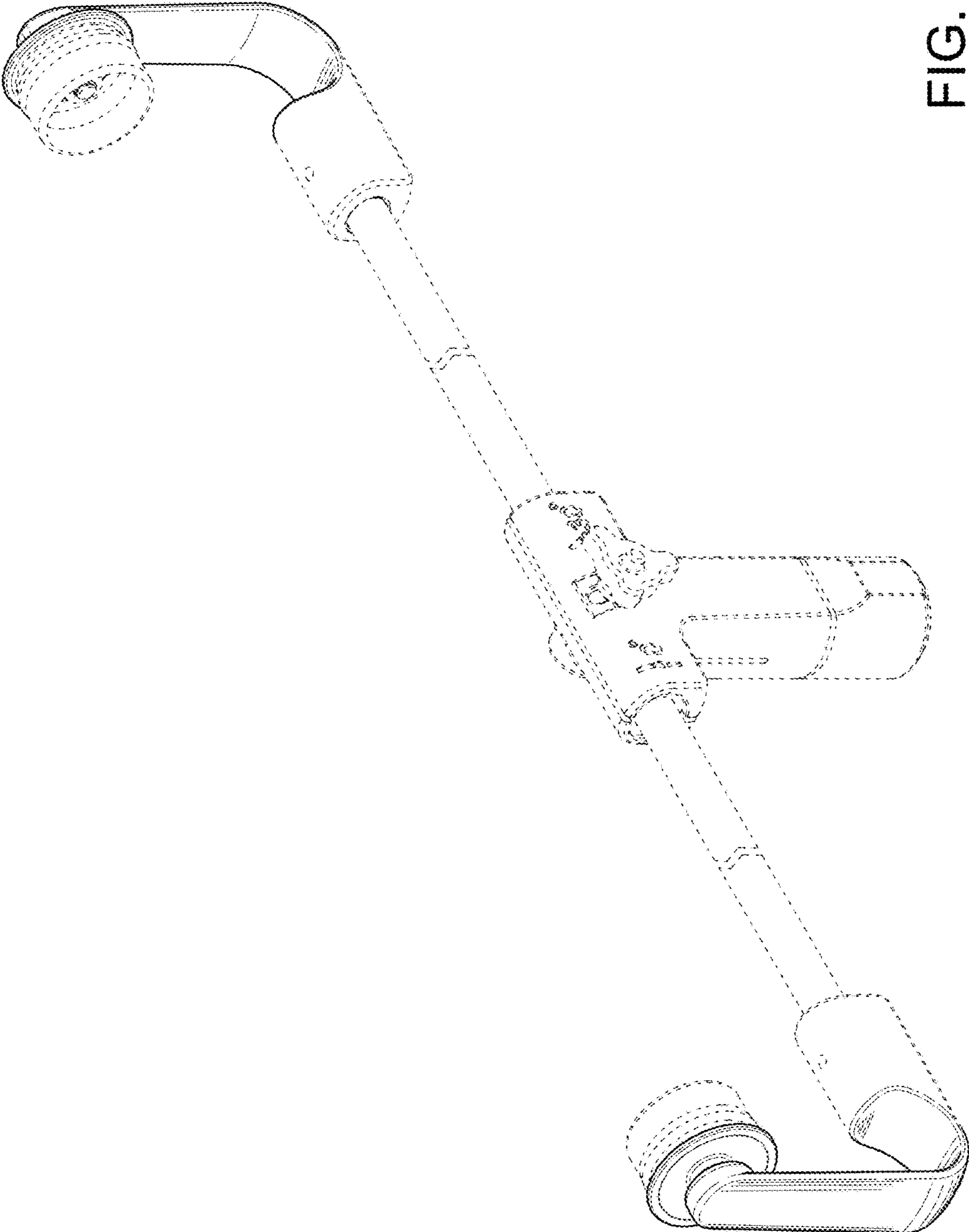


FIG. 1

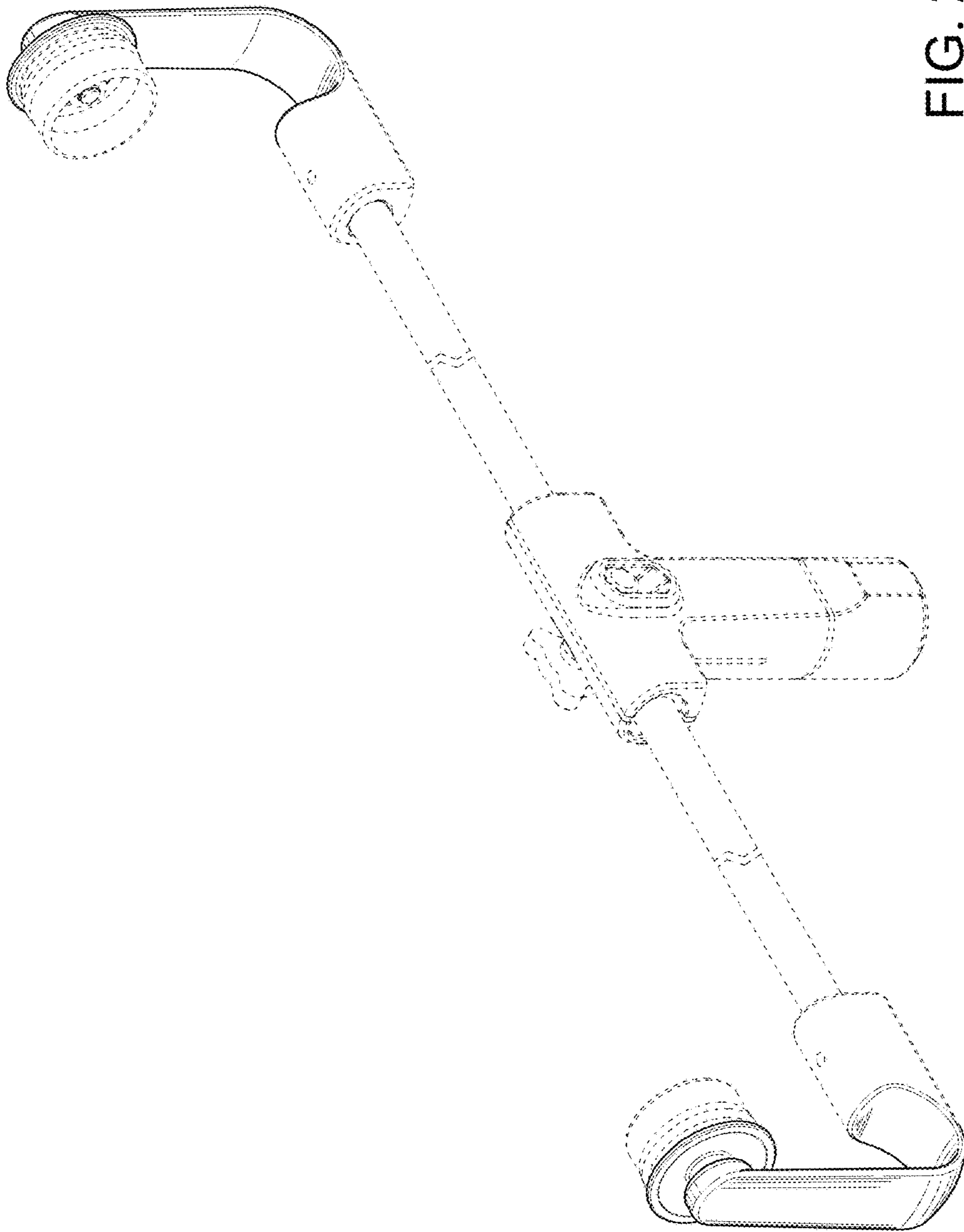


FIG. 2

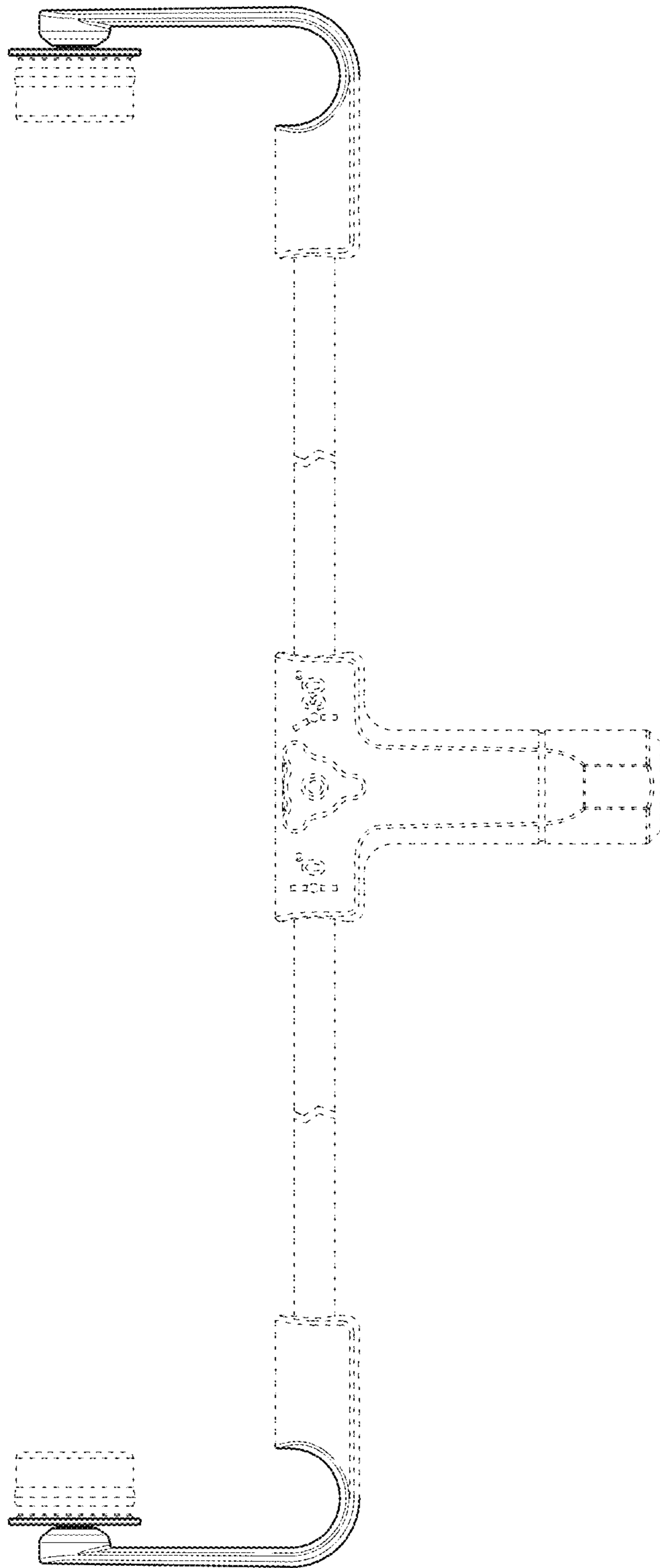


FIG. 3

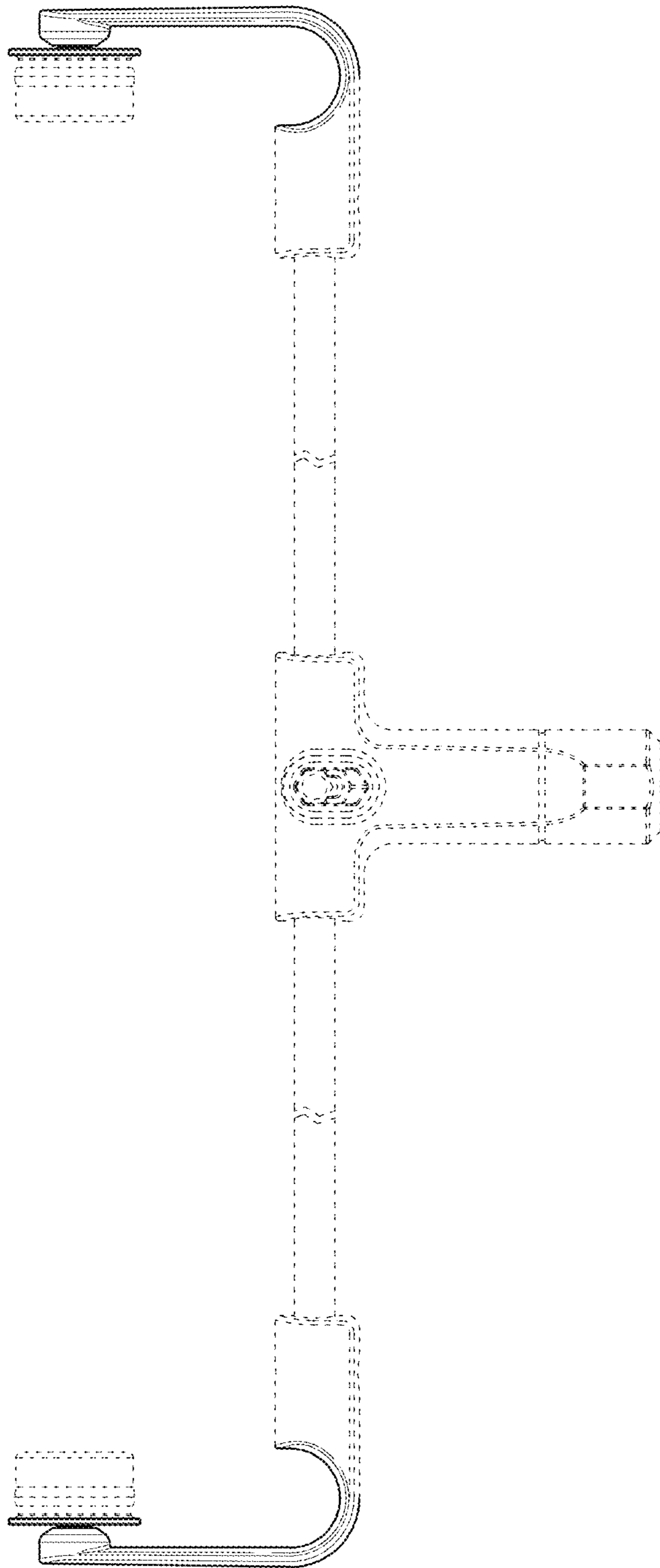


FIG. 4

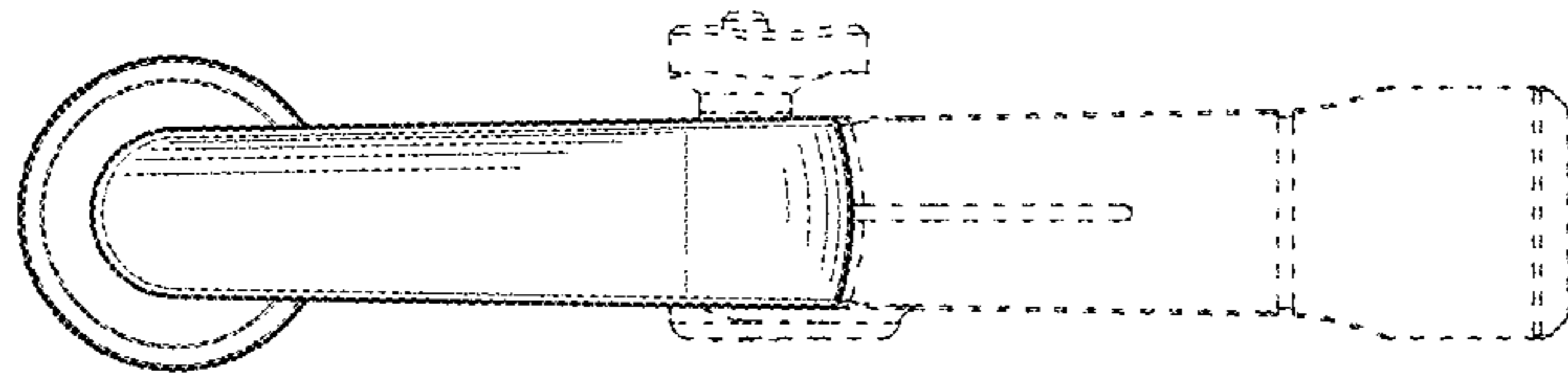


FIG. 6

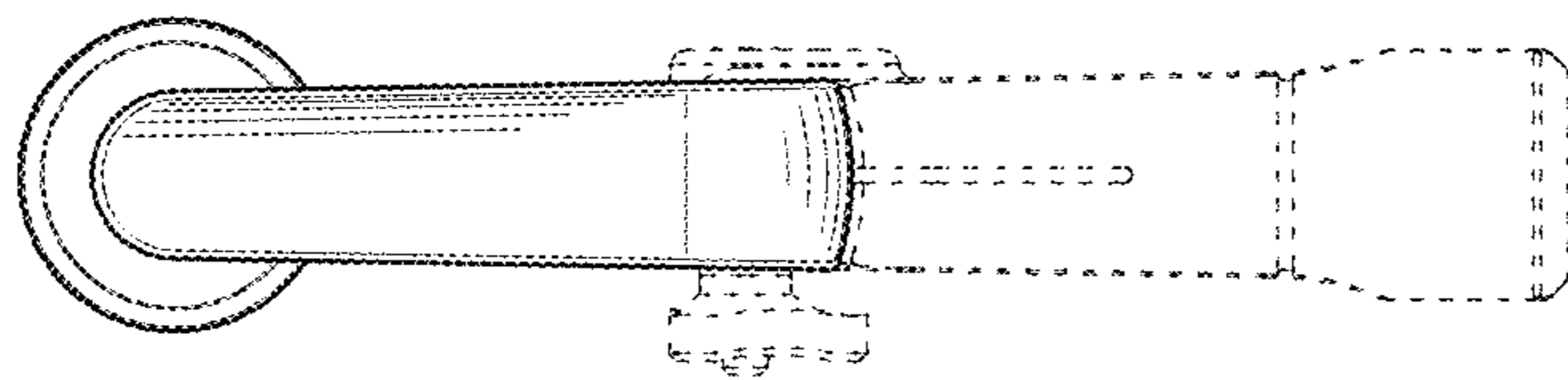


FIG. 5

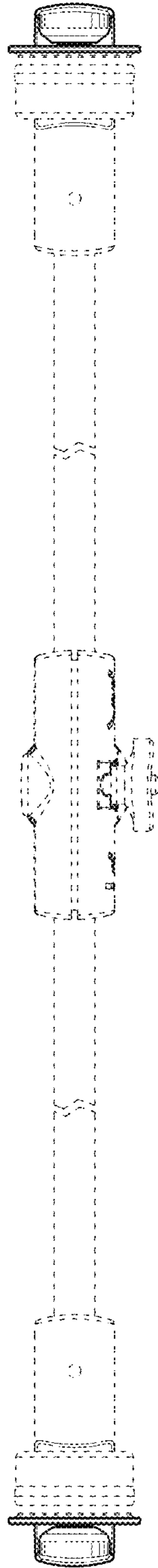


FIG. 7

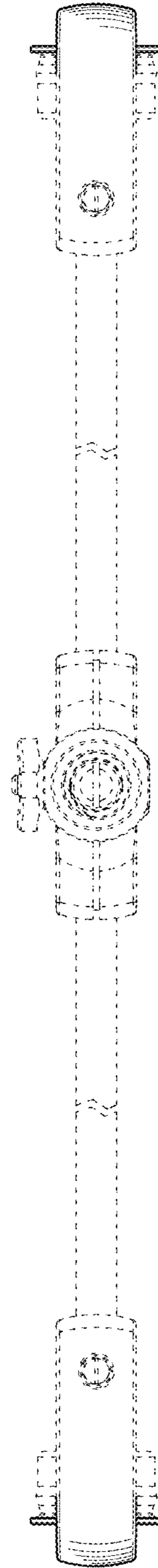


FIG. 8

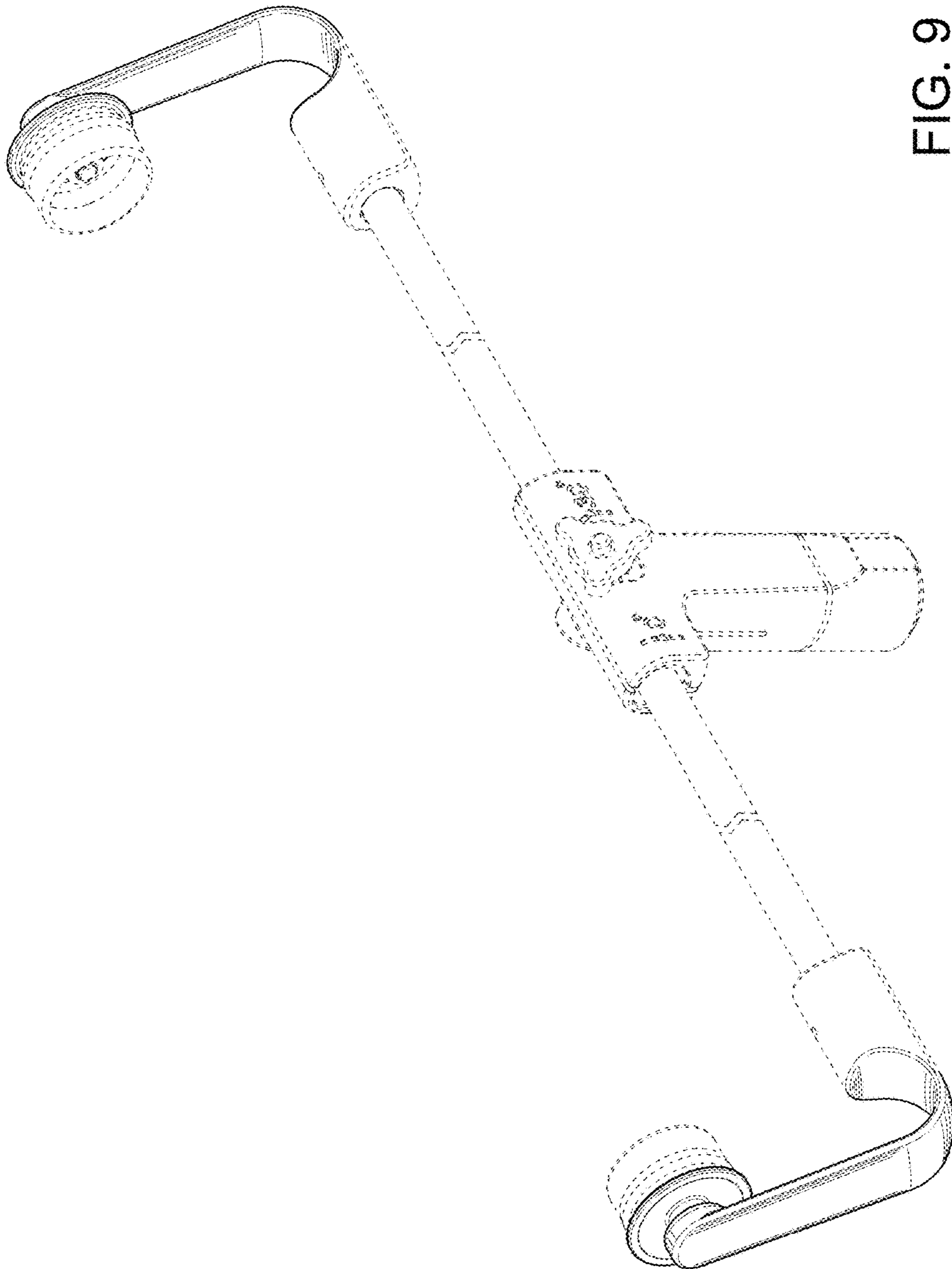


FIG. 9

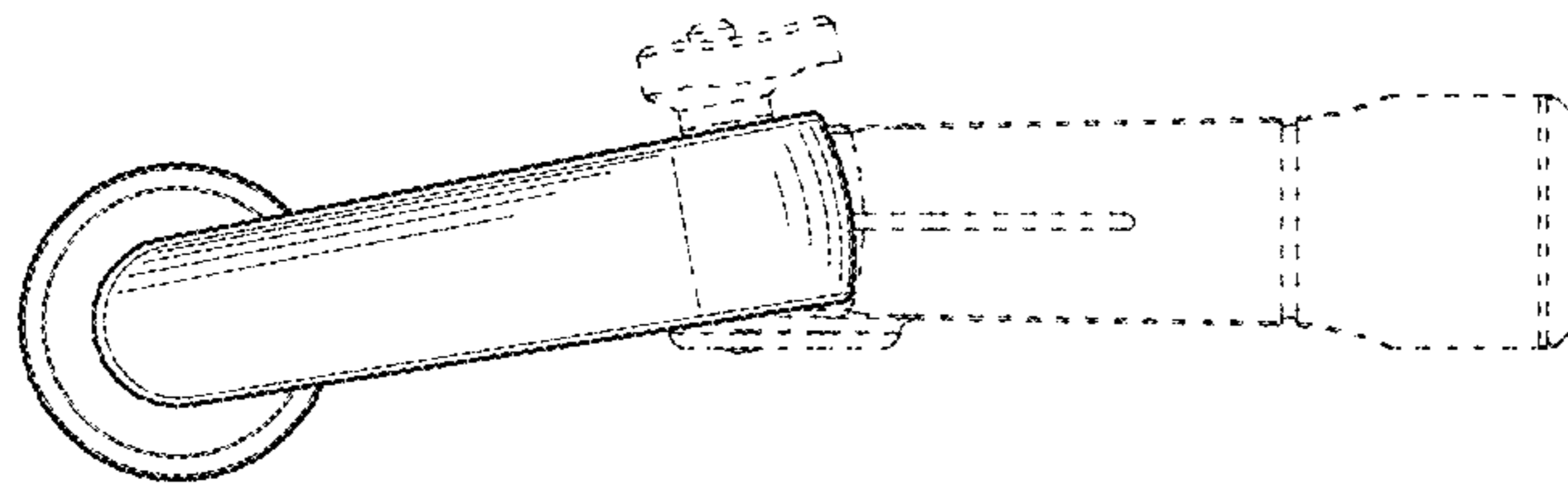


FIG. 10

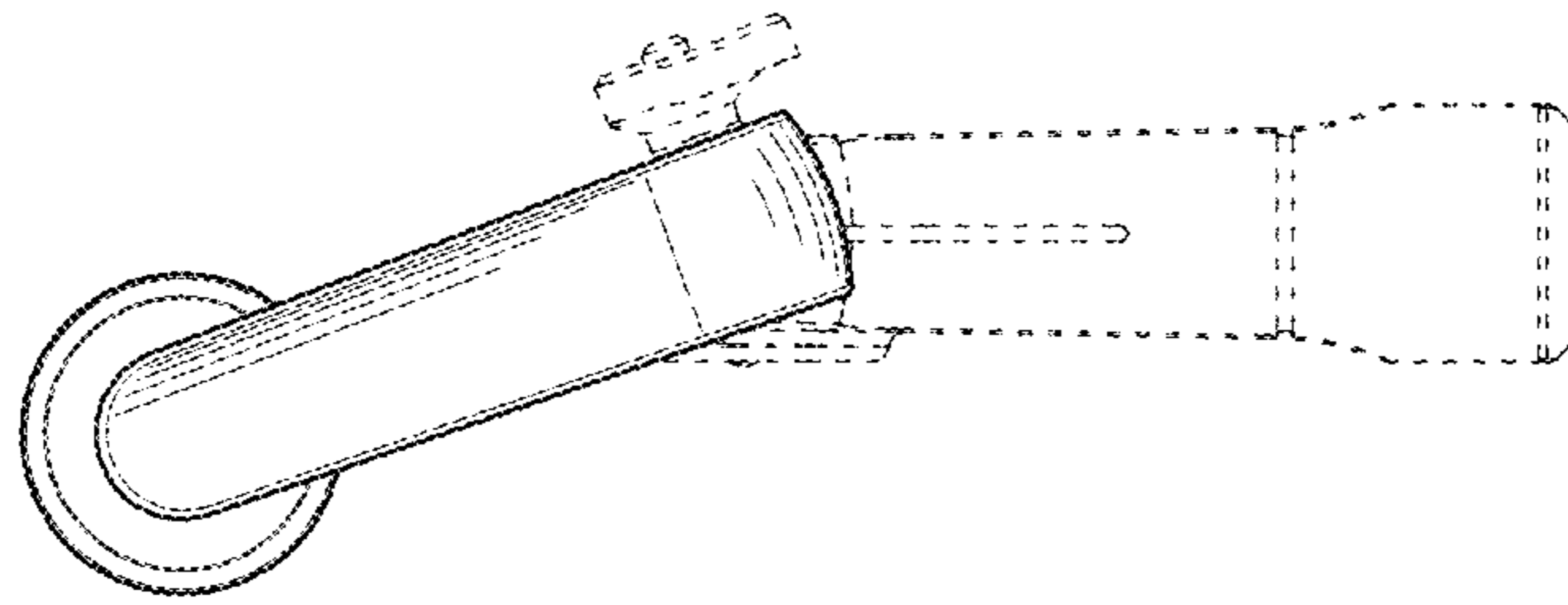


FIG. 11

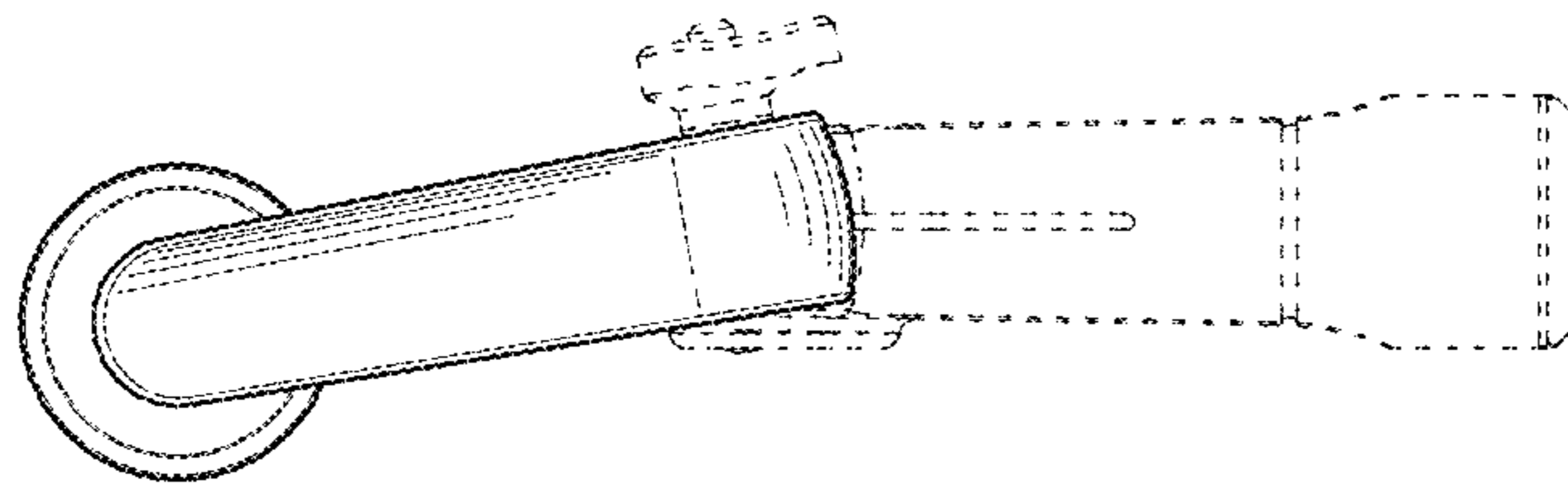


FIG. 12

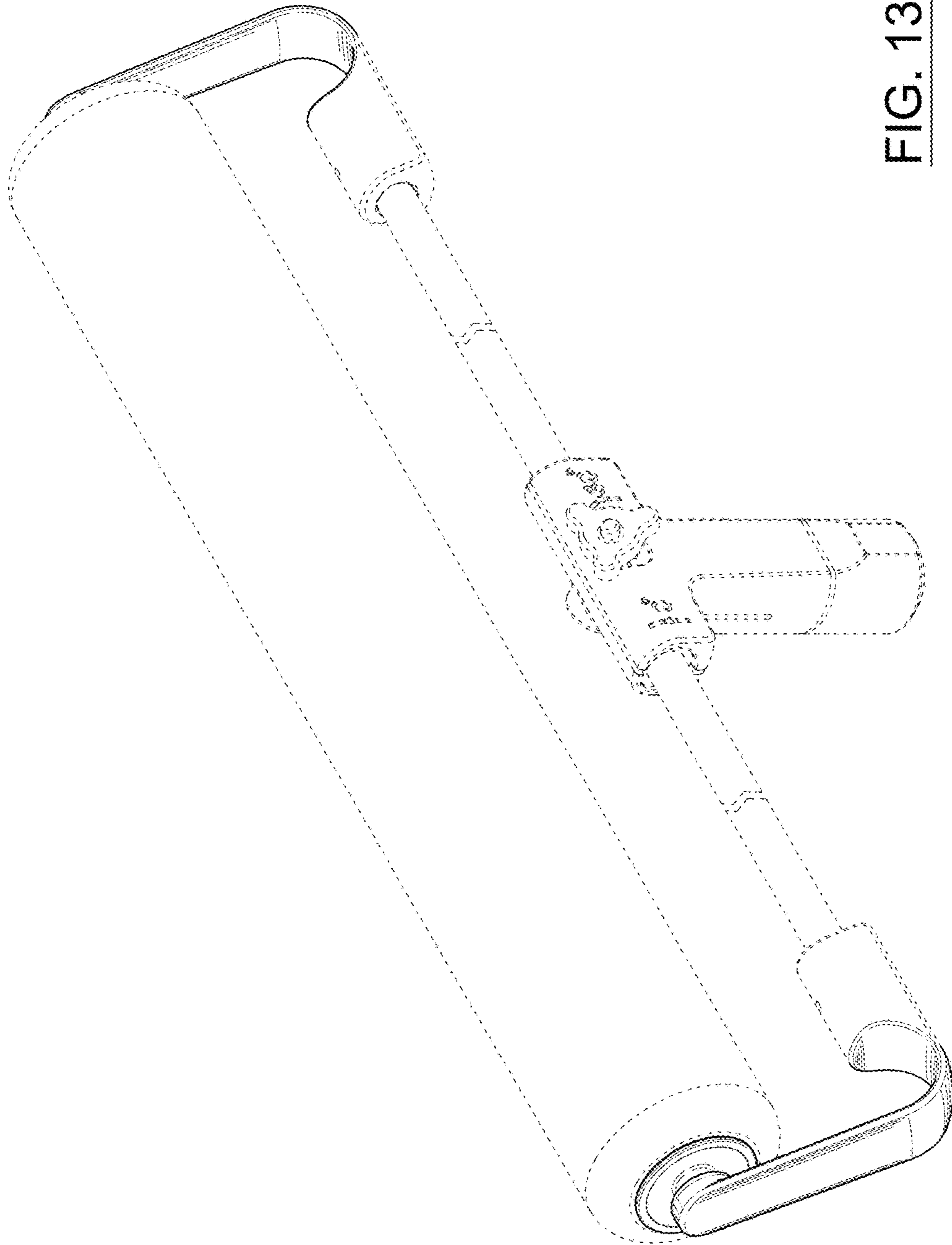


FIG. 13