



US00D814800S

(12) **United States Design Patent** (10) **Patent No.:** **US D814,800 S**
Cade, Jr. (45) **Date of Patent:** **** Apr. 10, 2018**

(54) **TOOTHBRUSH** 4,875,248 A 10/1989 Kent
4,938,539 A * 7/1990 Barman A46D 9/00
300/21

(71) Applicant: **Jimmy Edward Cade, Jr.**,
Philadelphia, PA (US) 5,150,495 A 9/1992 Discko, Jr. et al.
5,165,135 A 11/1992 Su

(72) Inventor: **Jimmy Edward Cade, Jr.**,
Philadelphia, PA (US) 5,242,301 A 9/1993 Hickey et al.
D340,808 S 11/1993 Sherman et al.
5,305,490 A 4/1994 Lundgren
5,315,730 A 5/1994 Kim

(**) Term: **15 Years** 5,351,358 A * 10/1994 Larrimore A46B 5/0012
15/143.1

(21) Appl. No.: **29/583,668** 5,383,244 A 1/1995 Ahrens et al.
D369,243 S * 4/1996 Hunt D4/104

(22) Filed: **Nov. 8, 2016** 5,517,713 A 5/1996 Hadcock
5,522,109 A 6/1996 Chan

(51) **LOC (11) Cl.** **04-02** 5,673,453 A 10/1997 Huang
(Continued)

(52) **U.S. Cl.**
USPC **D4/110**

(58) **Field of Classification Search**
USPC D4/100, 101, 104, 105, 108, 110, 138;
D24/119, 132, 176
CPC A46B 5/00; A46B 5/0016; A46B 5/021;
A46B 9/04; A46B 9/10; A46B 2200/106;
A46B 5/0012
See application file for complete search history.

FOREIGN PATENT DOCUMENTS

FR 580954 A 5/1930
FR 715589 A 12/1931
GB 2192784 A 1/1988

Primary Examiner — Karen S Acker
Assistant Examiner — Jasmine Mlinarcik
(74) *Attorney, Agent, or Firm* — Volpe and Koenig, P.C.

(56) **References Cited**

U.S. PATENT DOCUMENTS

569,870 A * 10/1896 Hamilton 15/167.1
1,111,144 A 9/1914 Epstein et al.
1,292,288 A 1/1919 Fisher
2,091,511 A 8/1937 London
2,292,707 A 8/1942 Mantell
2,411,610 A 11/1946 Aaron
2,556,500 A 6/1951 Levine
3,081,783 A 3/1963 Miller
3,193,864 A 7/1965 Makowsky
3,350,737 A 11/1967 Makowsky
D223,136 S * 3/1972 Jedora D4/110
3,691,587 A 9/1972 Makowsky
4,033,007 A 7/1977 Hadary
4,253,212 A 3/1981 Fujita
4,306,327 A 12/1981 Zeski
4,457,039 A 7/1984 Massari

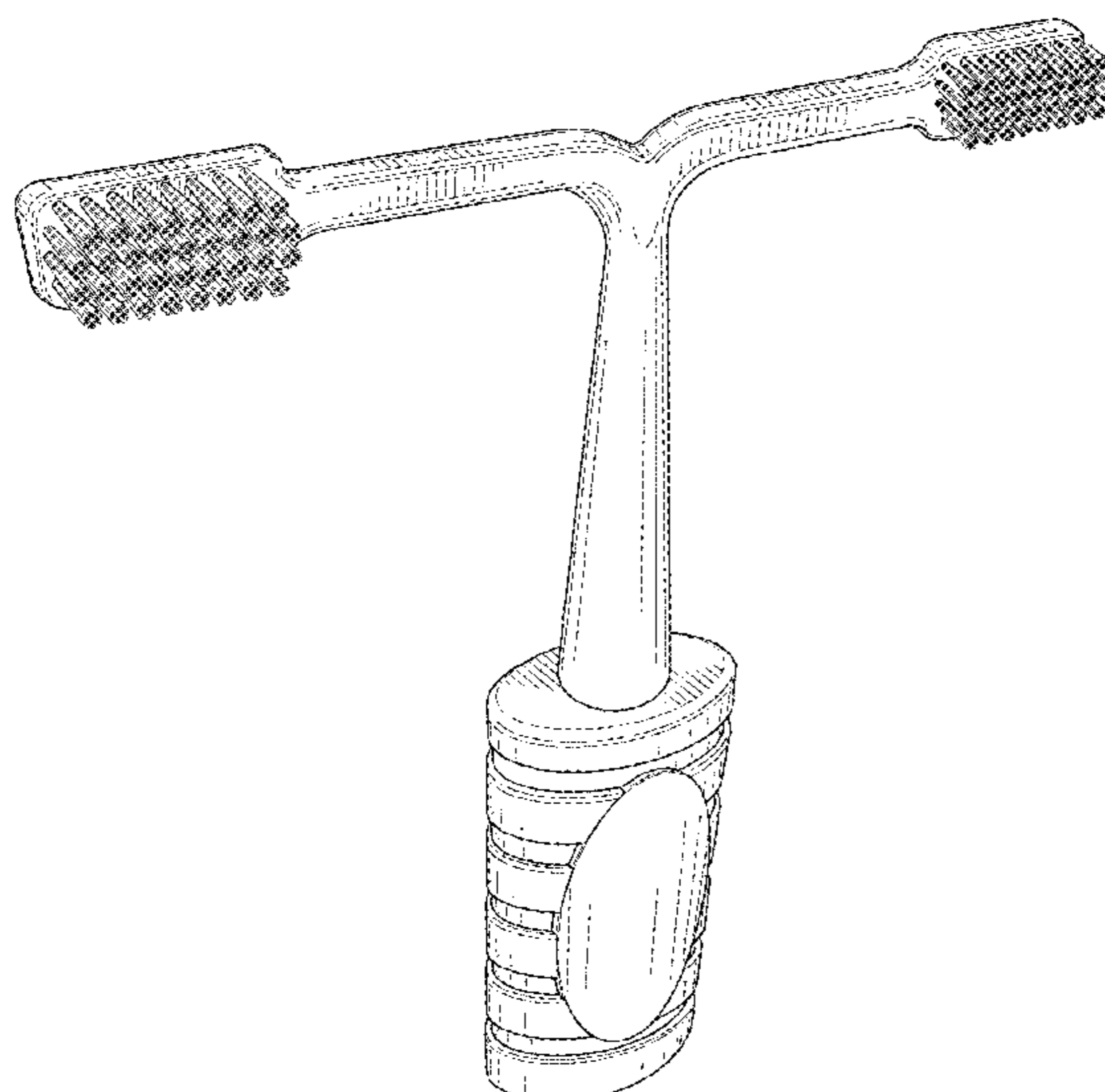
(57) **CLAIM**

The ornamental design for a toothbrush, as shown and described.

DESCRIPTION

FIG. 1 is a top perspective view of a toothbrush according to my invention;
FIG. 2 is a front view of the toothbrush of FIG. 1;
FIG. 3 is a rear view of the toothbrush of FIG. 1;
FIG. 4 is a left side view of the toothbrush of FIG. 1;
FIG. 5 is a right side view of the toothbrush of FIG. 1;
FIG. 6 is a top view of the toothbrush of FIG. 1; and,
FIG. 7 is a bottom view of the toothbrush of FIG. 1.

1 Claim, 5 Drawing Sheets



(56)

References Cited

U.S. PATENT DOCUMENTS

5,791,007	A *	8/1998	Tsai	A46B 5/0012
				15/167.1
D400,356	S	11/1998	Cade, Jr.	
6,401,288	B1 *	6/2002	Porper	A46B 5/0012
				15/167.2
D517,814	S	3/2006	Cade, Jr.	
7,757,328	B2 *	7/2010	Hegemann	A61C 1/0092
				15/22.1
D656,733	S *	4/2012	Barman	D4/101

* cited by examiner

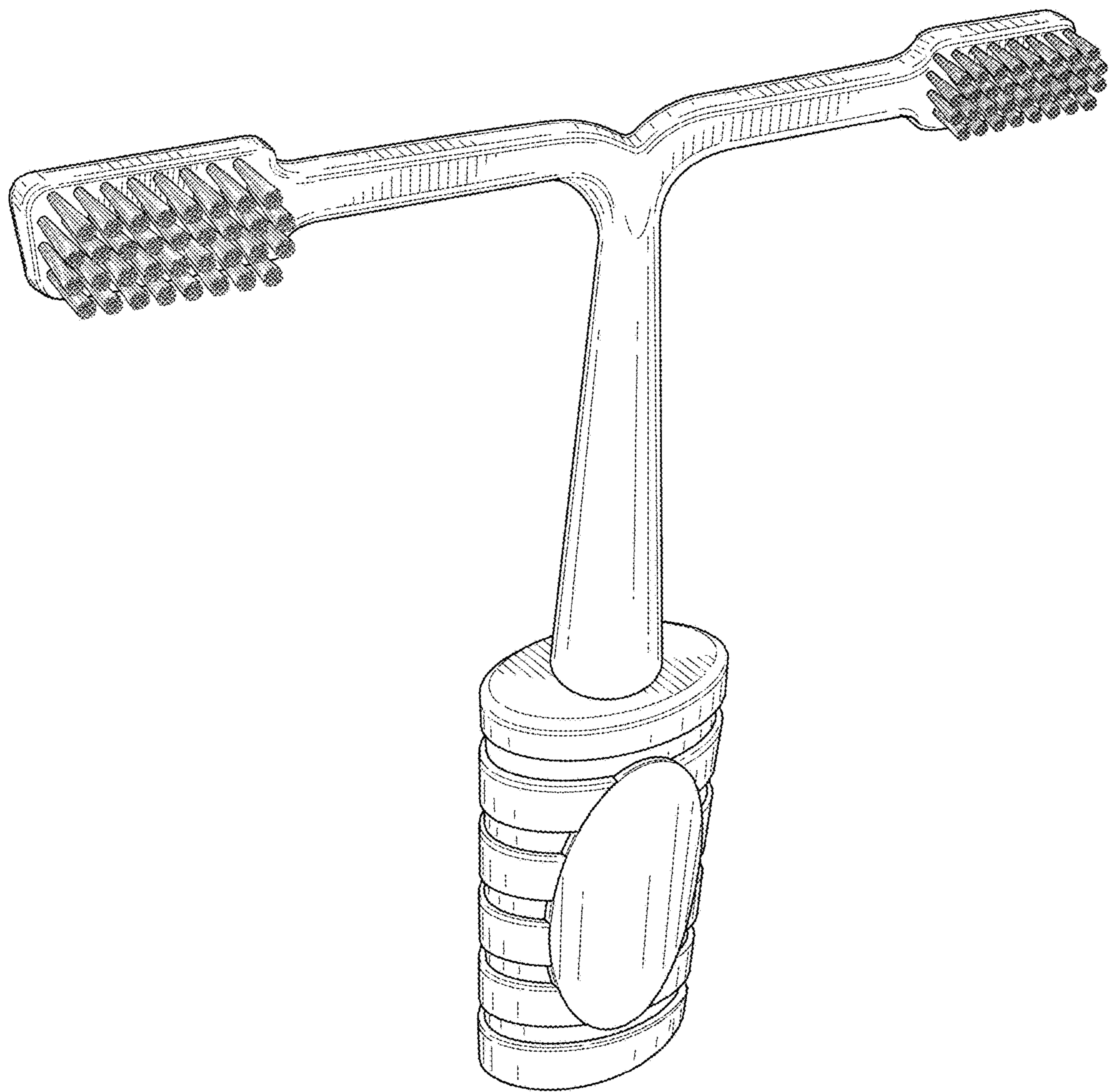


FIG. 1

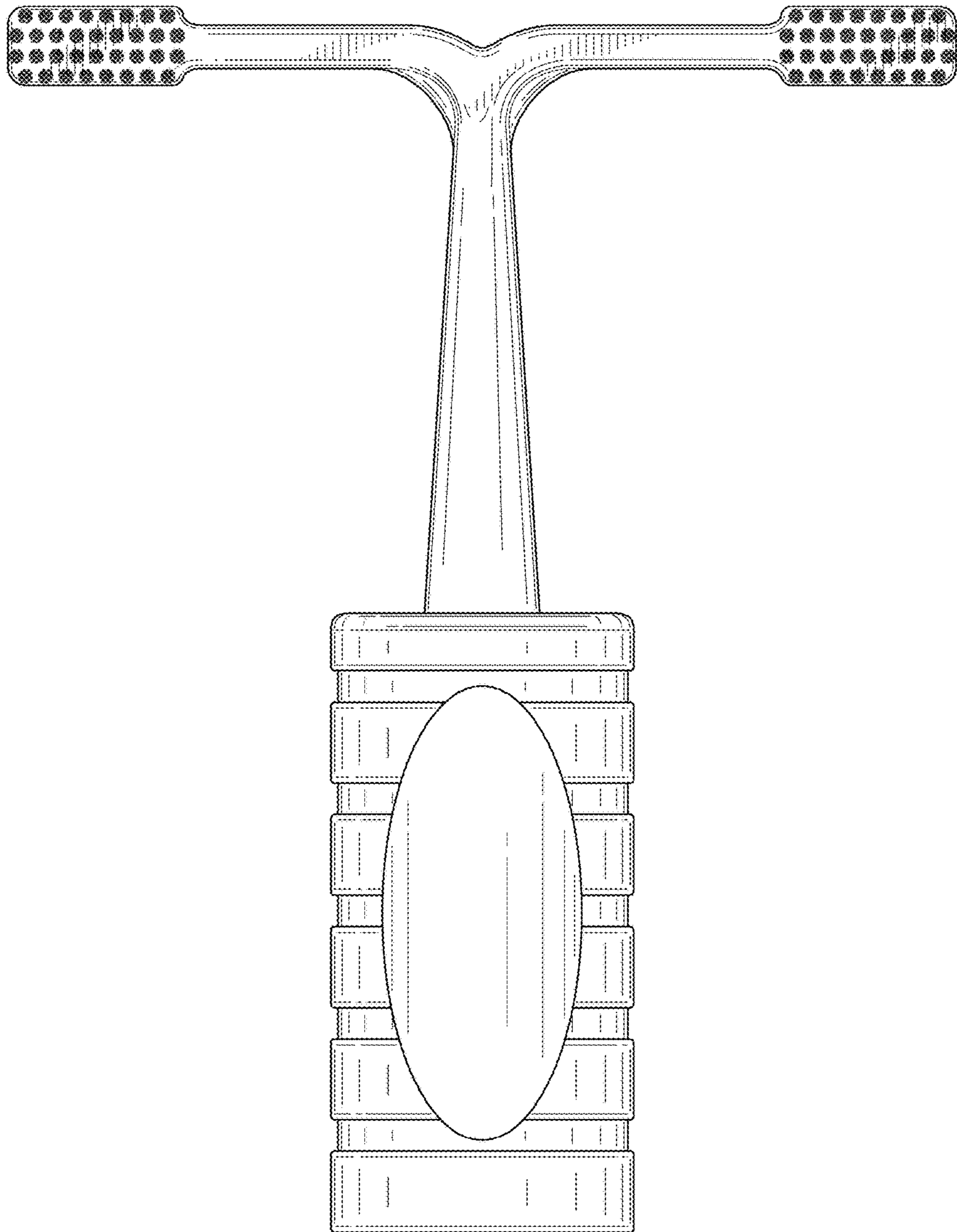


FIG. 2

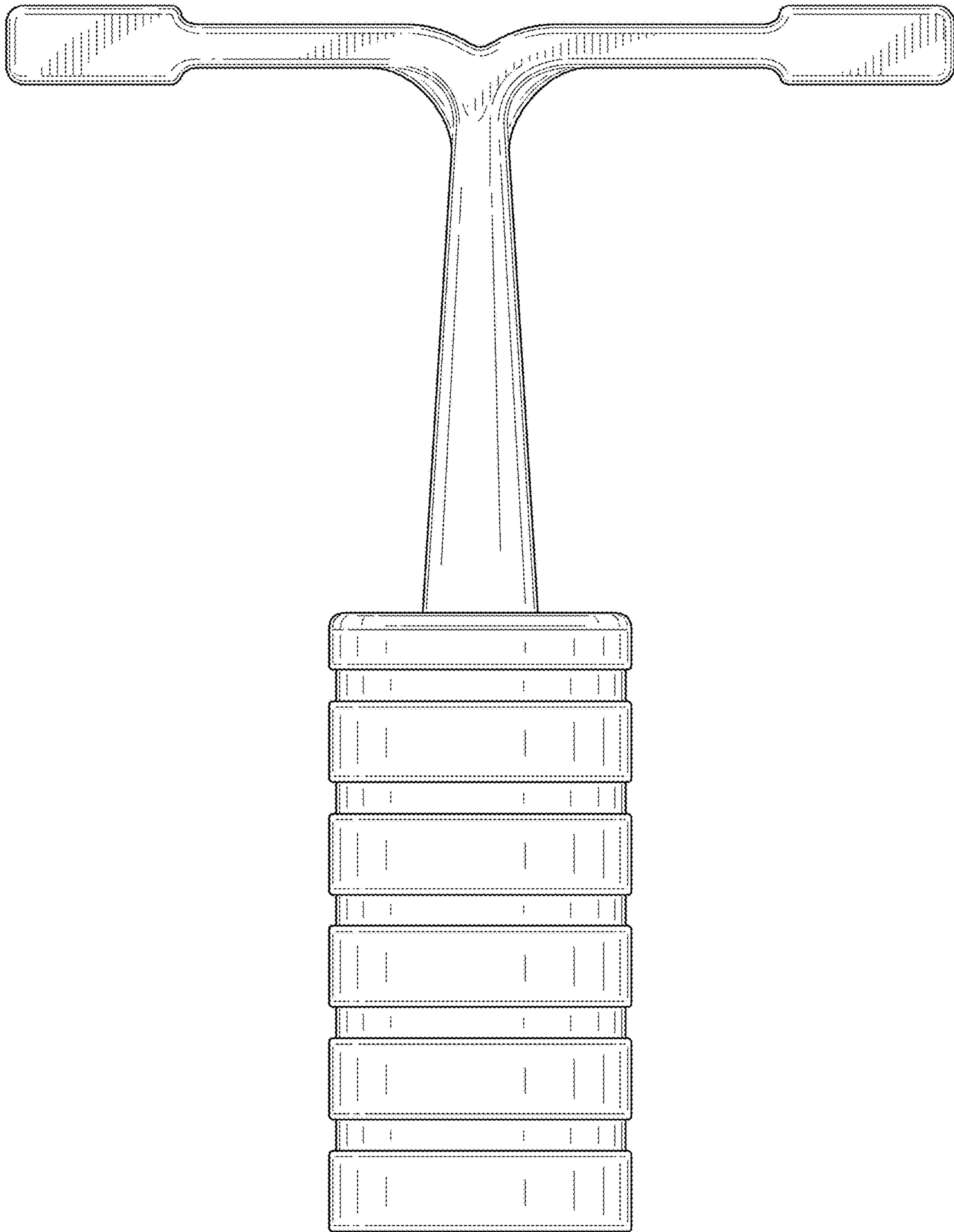


FIG. 3

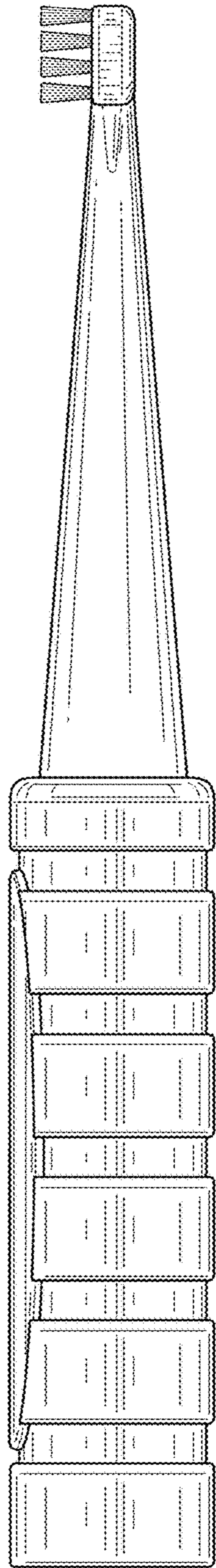


FIG. 4

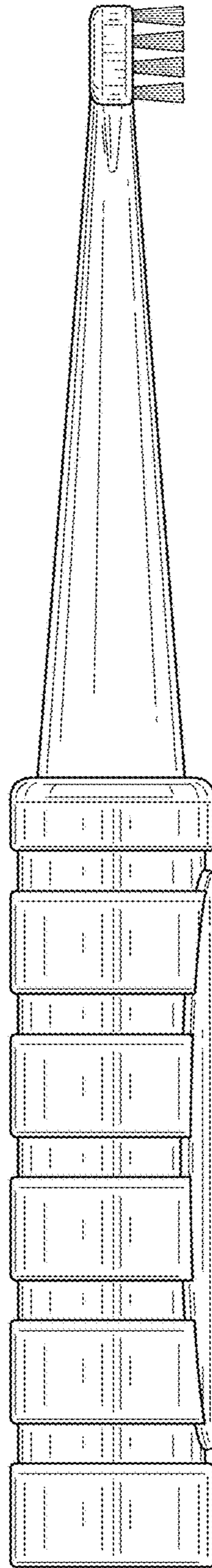


FIG. 5

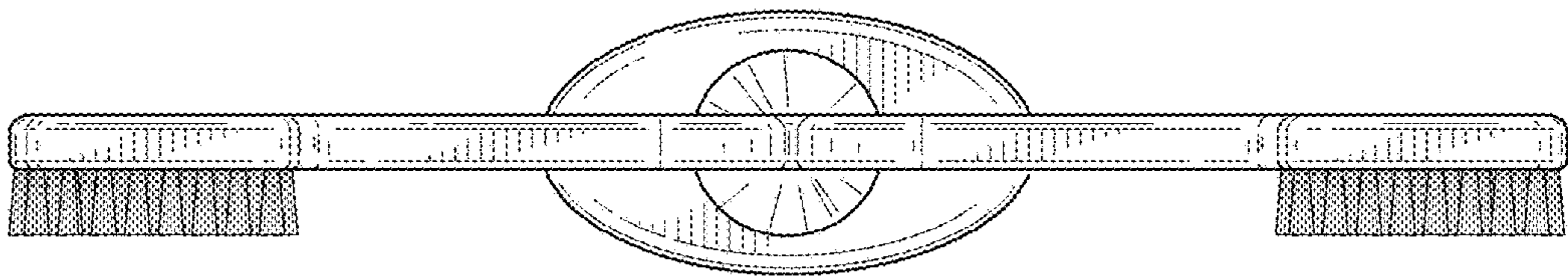


FIG. 6

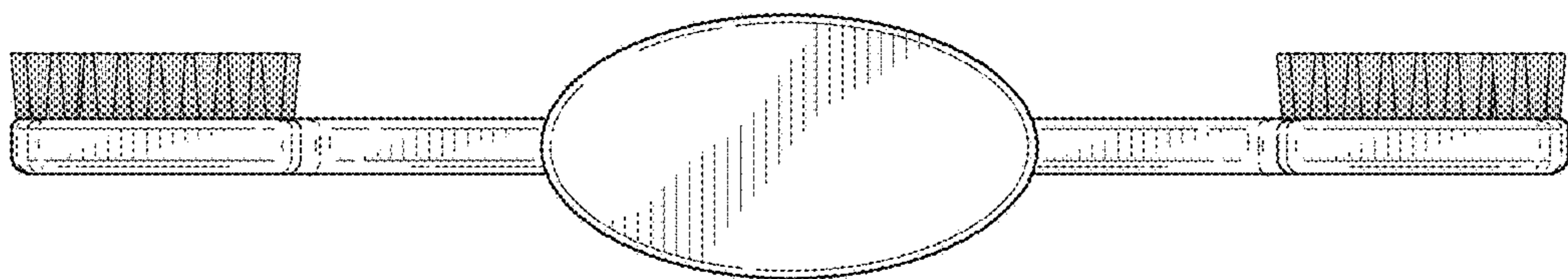


FIG. 7