



US00D814793S

(12) **United States Design Patent**
Dean

(10) **Patent No.:** **US D814,793 S**

(45) **Date of Patent:** **** Apr. 10, 2018**

(54) **HANDBAG**

D770,177 S * 11/2016 Guyon D3/245
D771,377 S * 11/2016 Gavriel D3/245

(71) Applicant: **Matthew R. Dean**, Winter Park, FL
(US)

* cited by examiner

(72) Inventor: **Matthew R. Dean**, Winter Park, FL
(US)

Primary Examiner — Holly H Baynham

(74) *Attorney, Agent, or Firm* — Welsh Flaxman & Gitler
LLC

(**) Term: **15 Years**

(57) **CLAIM**

The ornamental design for a handbag, as shown and described.

(21) Appl. No.: **29/591,972**

DESCRIPTION

(22) Filed: **Jan. 25, 2017**

(51) **LOC (11) Cl.** **03-01**

(52) **U.S. Cl.**
USPC **D3/318**

(58) **Field of Classification Search**
USPC D3/232, 240–233, 245–245, 318
CPC A45C 1/024; A45C 3/08
See application file for complete search history.

FIG. 1 is a perspective view a handbag;
FIG. 2 is a rear elevation view of the handbag shown in FIG. 1;
FIG. 3 is a front elevation view of the handbag shown in FIG. 1;
FIG. 4 is a top plan view of the handbag shown in FIG. 1;
FIG. 5 is a bottom view of the handbag shown in FIG. 1;
FIG. 6 is a right side elevation view of the handbag shown in FIG. 1; and,
FIG. 7 is a left side elevation view of the handbag shown in FIG. 1.

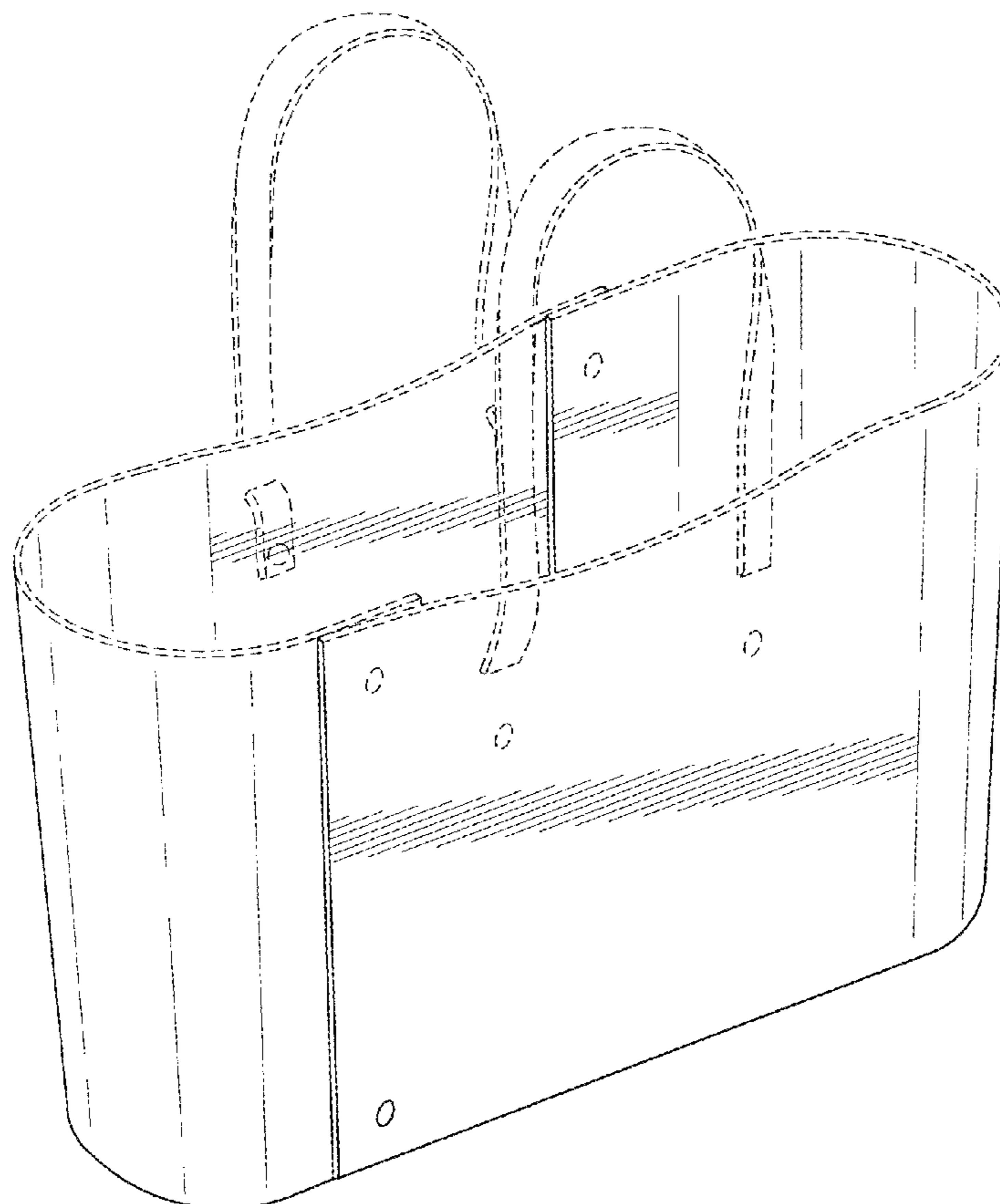
The broken lines of the handbag are for the purpose of illustrating portions of the article and form no part of the claimed design.

(56) **References Cited**

U.S. PATENT DOCUMENTS

D403,159 S * 12/1998 Bellechili D3/232
D404,203 S * 1/1999 Maier-Aichen D3/245

1 Claim, 3 Drawing Sheets



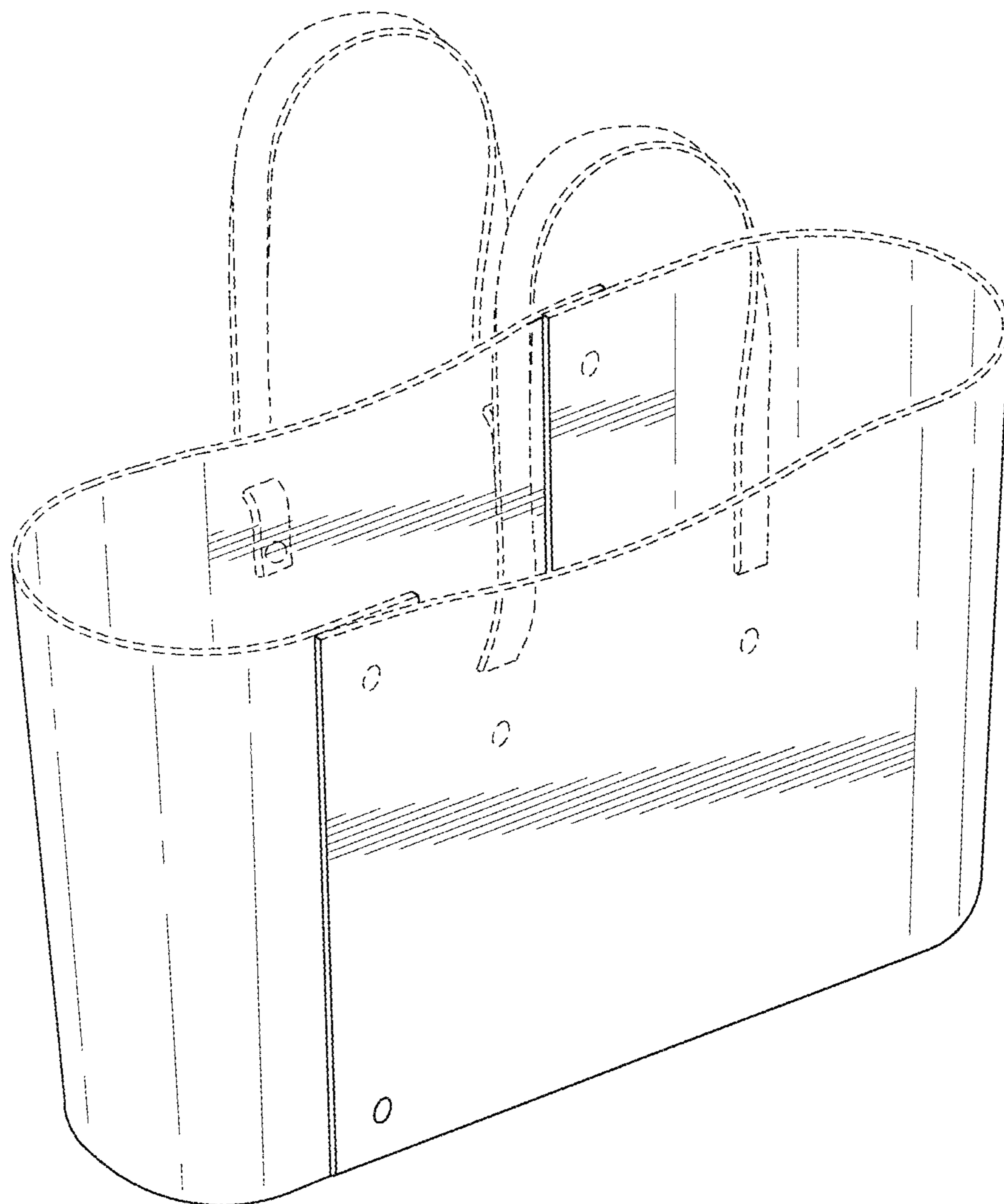


FIG. 1

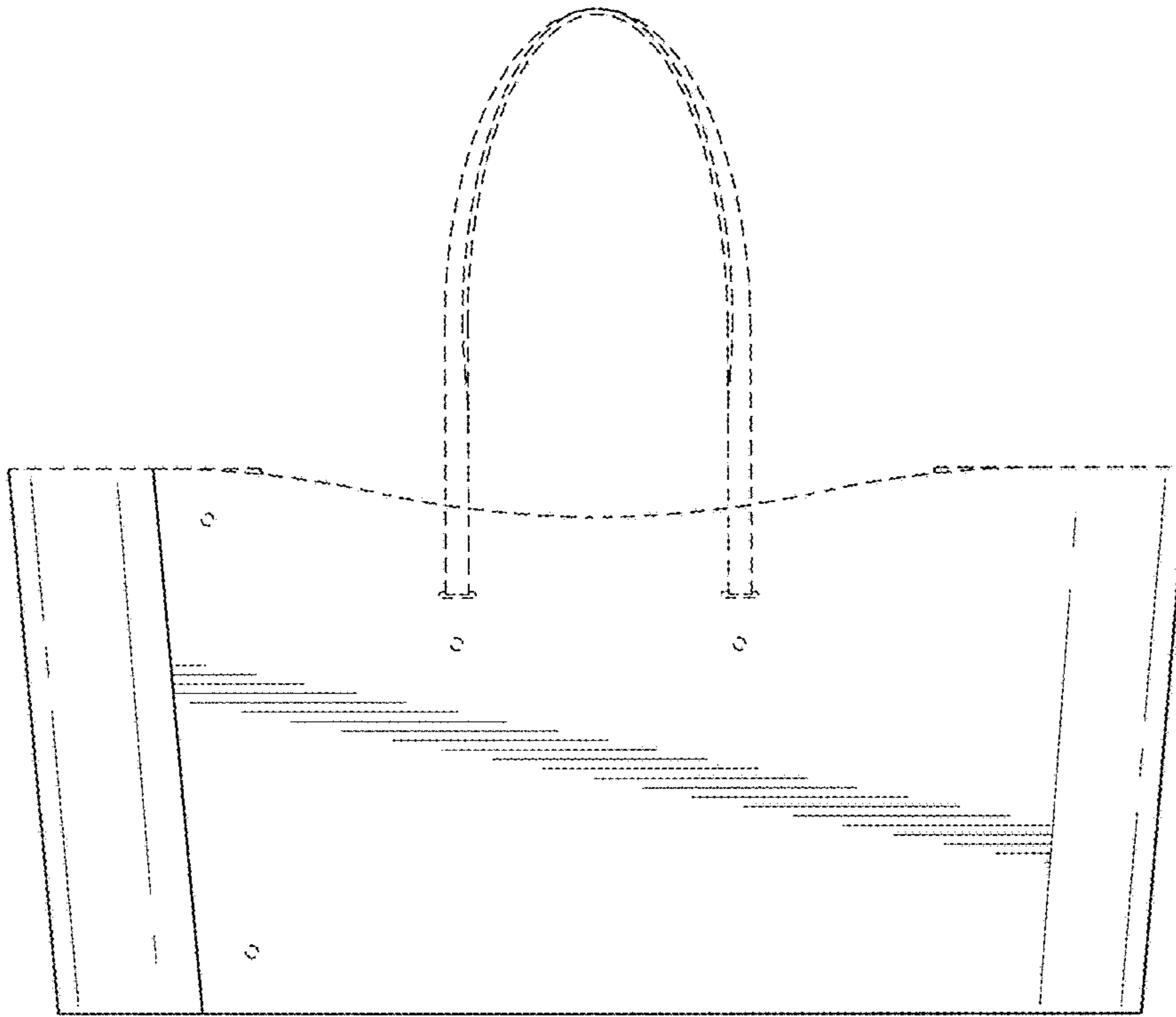


FIG. 2

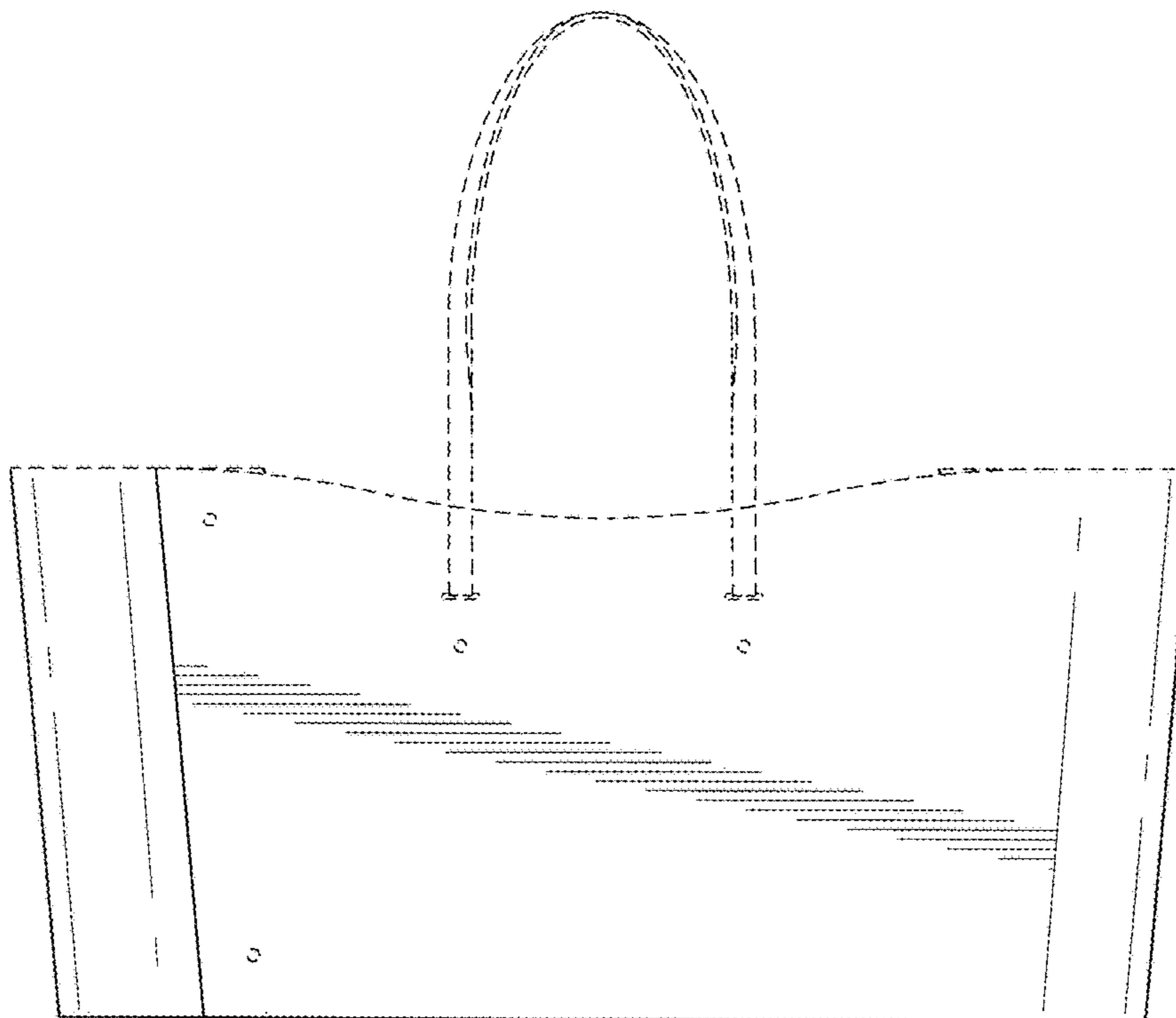


FIG. 3

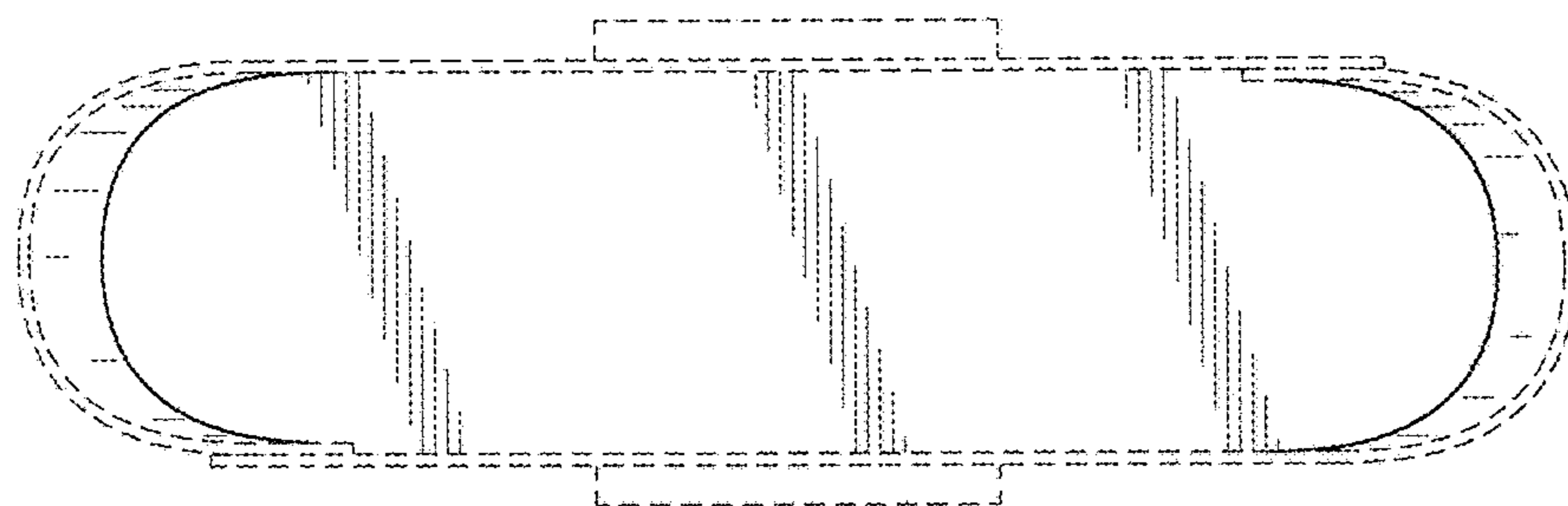


FIG. 4

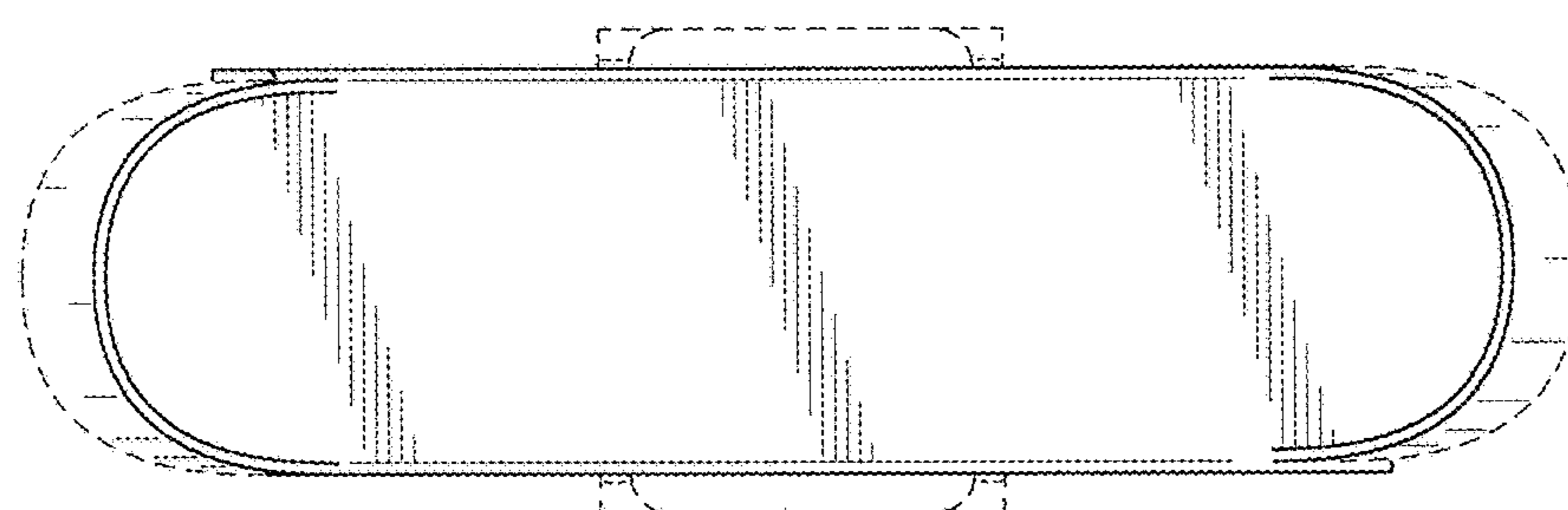


FIG. 5

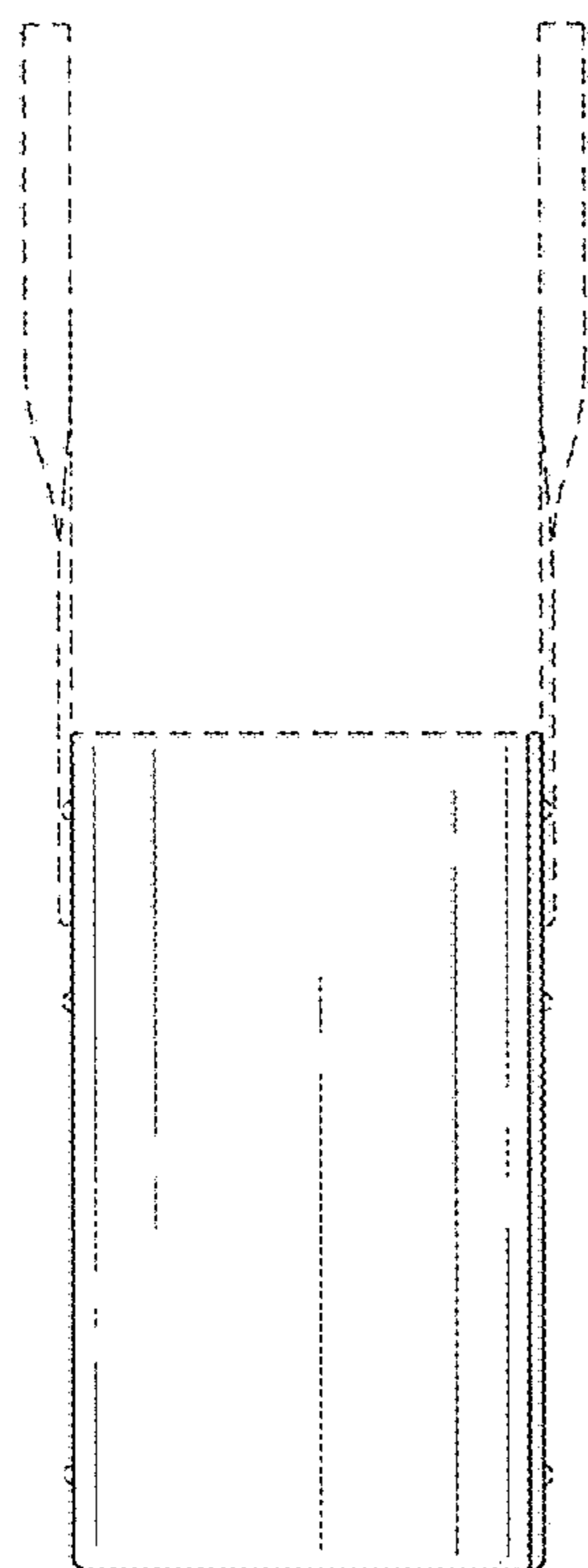


FIG. 6

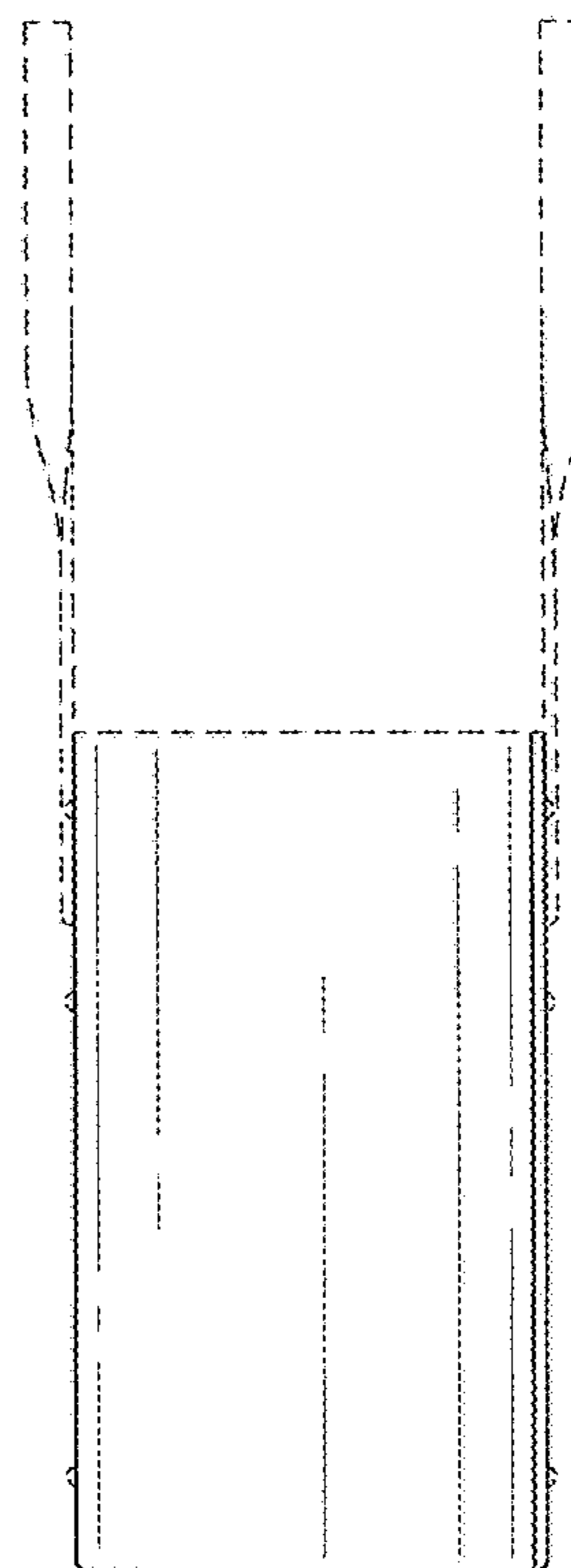


FIG. 7