



US00D814784S

(12) **United States Design Patent**  
**Barlier**

(10) **Patent No.:** **US D814,784 S**

(45) **Date of Patent:** **\*\* Apr. 10, 2018**

(54) **BAG**

(71) Applicant: **KeepCool USA LLC**, Lafayette, CA (US)

(72) Inventor: **Pierre Barlier**, Lafayette, CA (US)

(73) Assignee: **KEEPCOOL USA LLC**, Lafayette, CA (US)

(\*\*) Term: **15 Years**

(21) Appl. No.: **29/573,080**

(22) Filed: **Aug. 2, 2016**

(51) **LOC (11) Cl.** ..... **03-01**

(52) **U.S. Cl.**  
USPC ..... **D3/201**

(58) **Field of Classification Search**  
USPC ..... D3/201, 205, 242, 273, 274, 275, 276,  
D3/279, 281, 282, 283, 284, 289, 292,  
D3/294, 295, 296, 297, 299, 301, 302,  
D3/901, 903, 905; D9/414  
CPC ..... A45C 5/04; A45C 11/00; A45C 11/16  
See application file for complete search history.

(56) **References Cited**

U.S. PATENT DOCUMENTS

D300,986 S *	5/1989	Peregrine	.....	D3/289
D328,522 S *	8/1992	Buck	.....	D3/303
D472,388 S *	4/2003	Vazquez	.....	D3/303
D472,709 S *	4/2003	Vazquez	.....	D3/303
D489,178 S *	5/2004	McMahan	.....	D3/235
D572,472 S *	7/2008	Saconay-Duhart	.....	D3/246
D583,554 S *	12/2008	Stulman	.....	D3/232
D588,357 S *	3/2009	Fabricius	.....	D3/232

D596,396 S *	7/2009	McCoy	.....	D3/232
D620,249 S *	7/2010	Yu	.....	D3/232
D630,013 S *	1/2011	Yu	.....	D3/232
D637,809 S *	5/2011	Meldeau	.....	D3/232
D641,157 S *	7/2011	Steele	.....	D3/232
D641,549 S *	7/2011	Caldwell	.....	D3/232
D648,935 S *	11/2011	Wickrama	.....	D3/233
D711,096 S *	8/2014	Hanna	.....	D3/232
D712,653 S *	9/2014	Van Migem	.....	D3/232
D717,040 S *	11/2014	Swartzel	.....	D3/232
D780,523 S *	3/2017	Jacobsen	.....	D7/607
D796,341 S *	9/2017	Barlier	.....	D9/703
2012/0128272 A1 *	5/2012	Murgia	.....	B65D 33/004 383/40

\* cited by examiner

*Primary Examiner* — Sandra S Snapp

*Assistant Examiner* — Holly E Thurman

(74) *Attorney, Agent, or Firm* — Buchalter

(57) **CLAIM**

The ornamental design for a bag, as shown and described.

**DESCRIPTION**

FIG. 1 is a Top, Left and Front perspective view with auxiliary bag in front pocket;  
 FIG. 2 is a Front elevation view;  
 FIG. 3 is a Rear elevation view;  
 FIG. 4 is a Left side elevation view;  
 FIG. 5 is a Right side elevation view;  
 FIG. 6 is a Top plan view;  
 FIG. 7 is a Bottom plan view.  
 FIG. 8 is a Top, Left and Front perspective view with the auxiliary folded bag exploded out of front pocket; and,  
 FIG. 9 is a Top, Left and Front perspective of auxiliary bag.

**1 Claim, 7 Drawing Sheets**

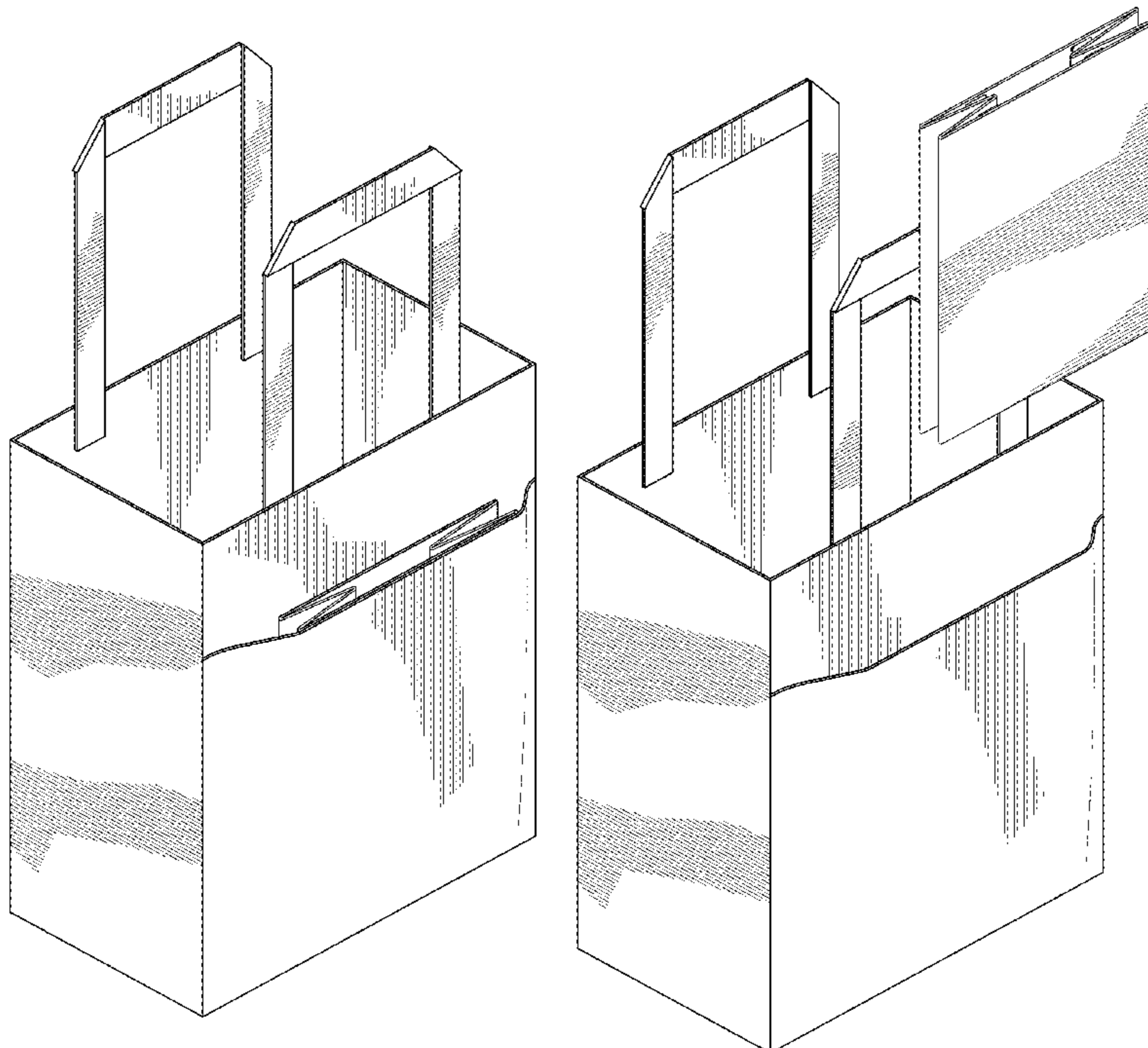
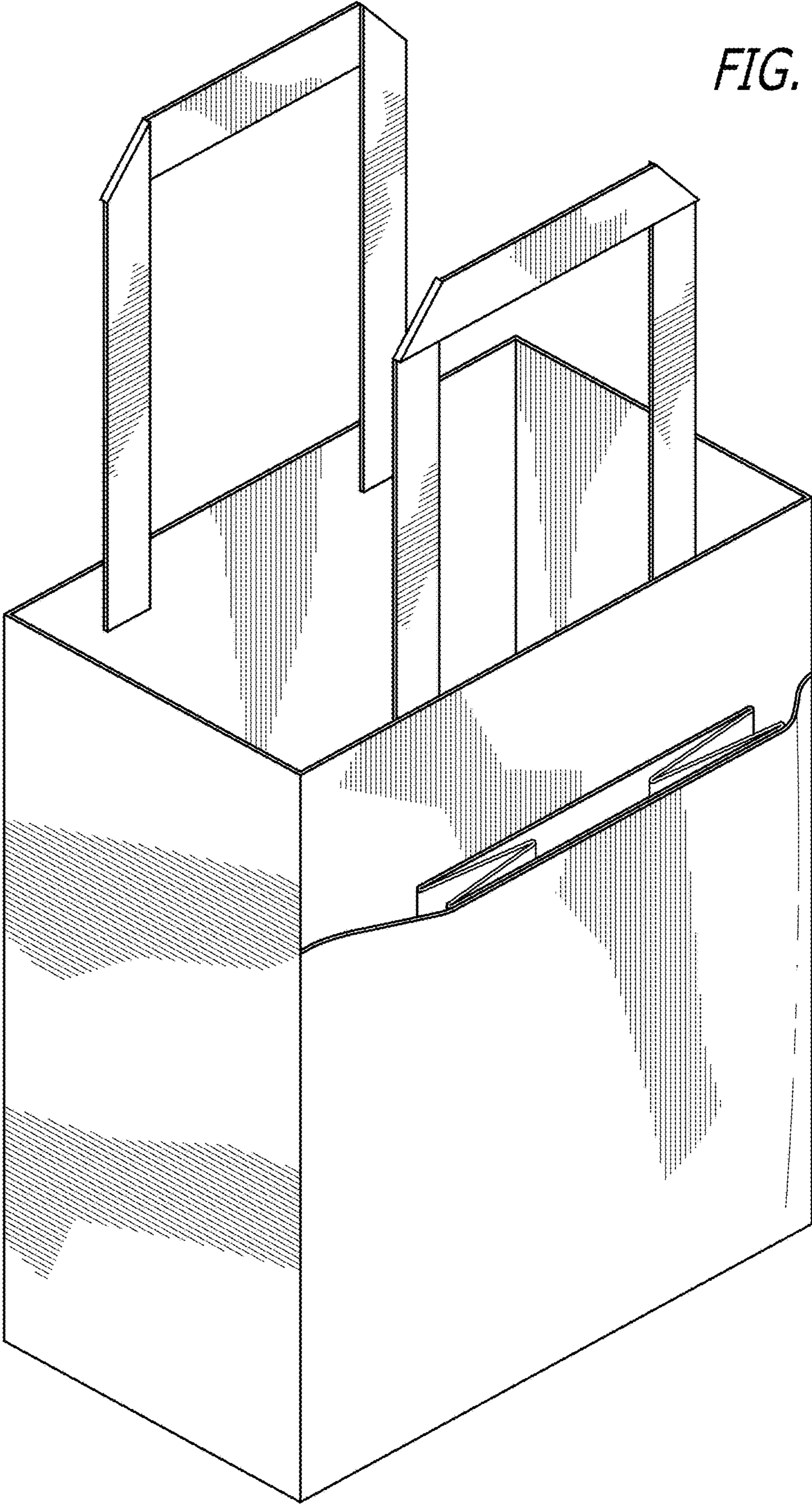
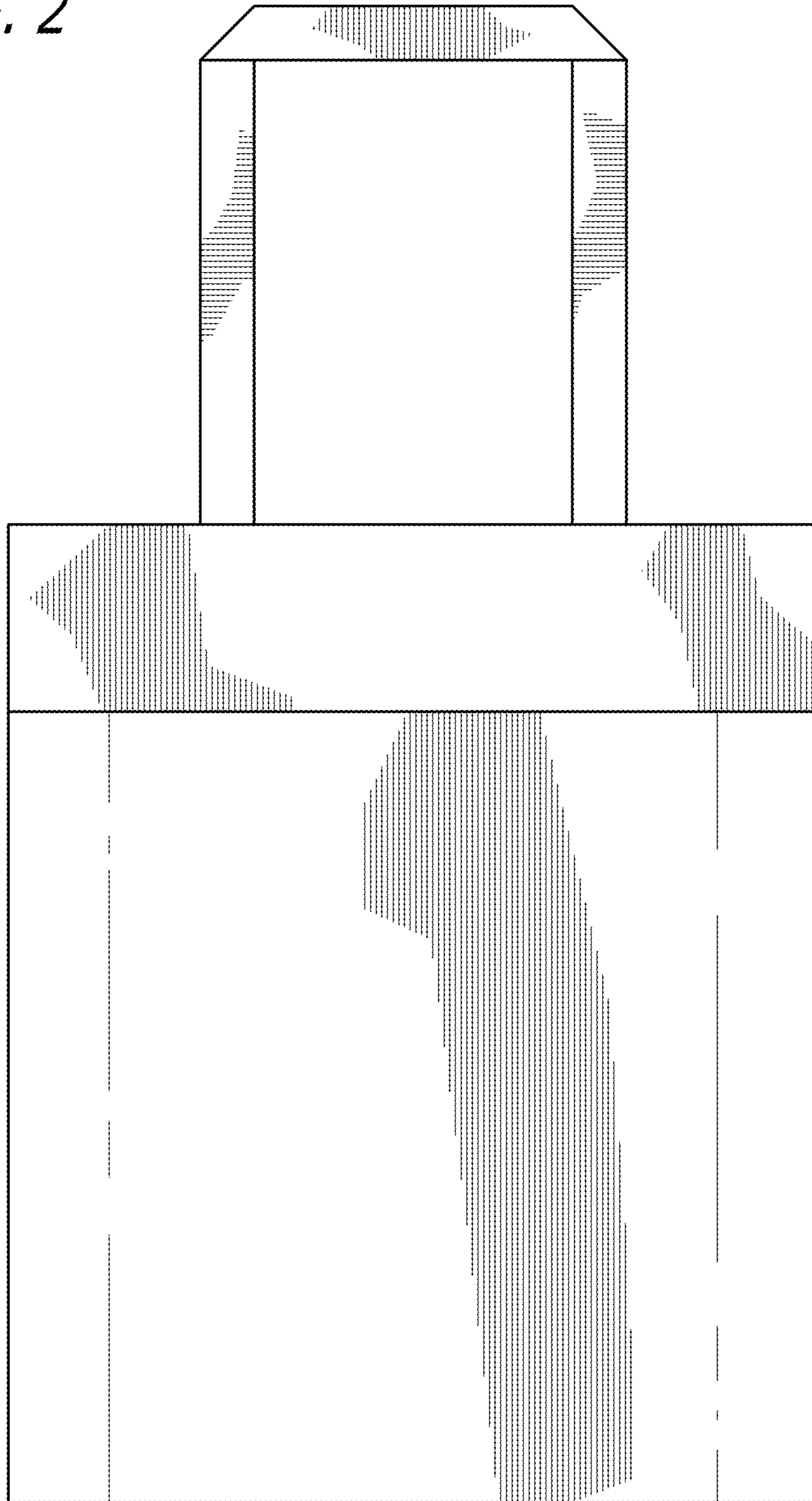


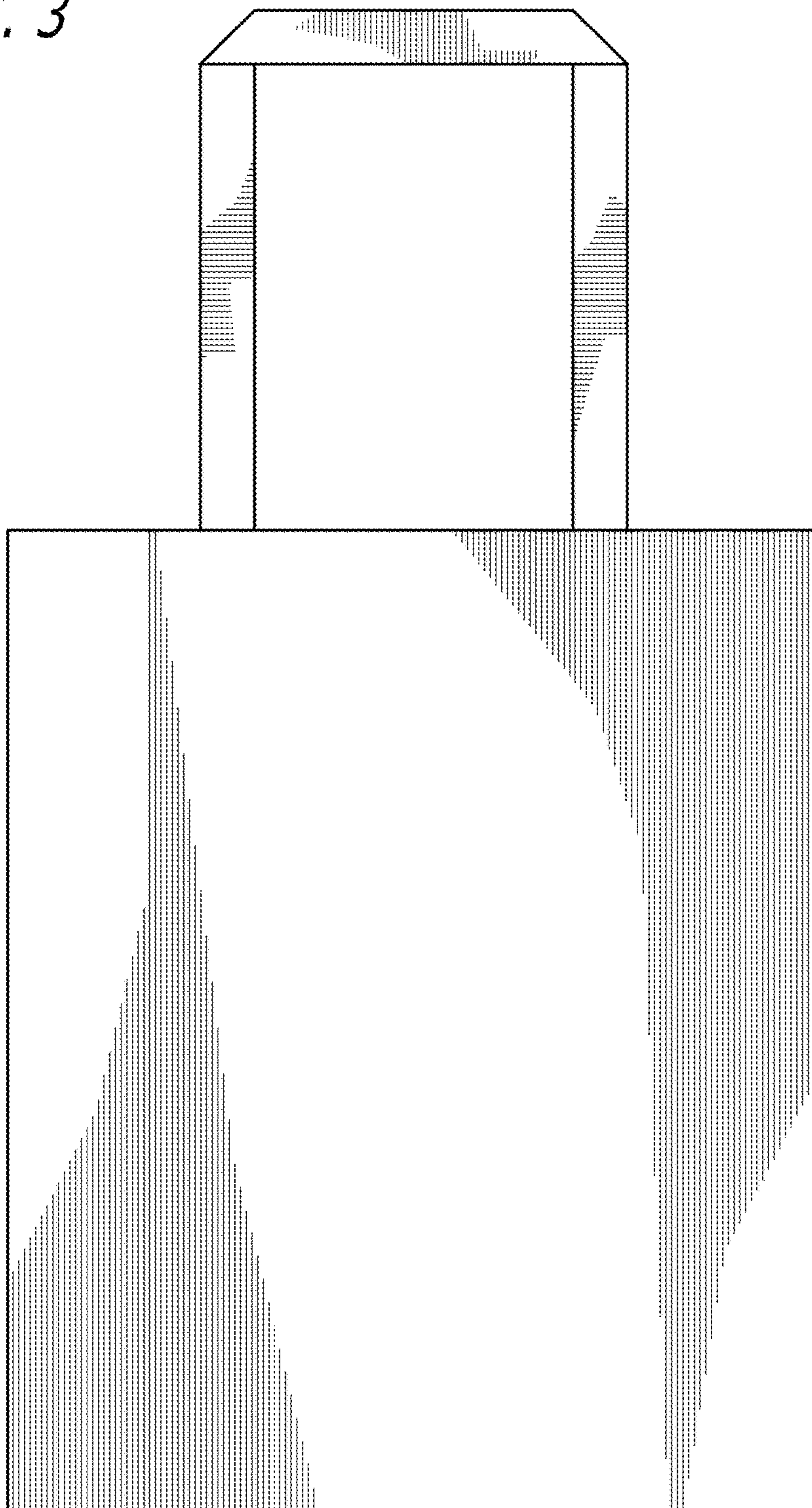
FIG. 1



*FIG. 2*



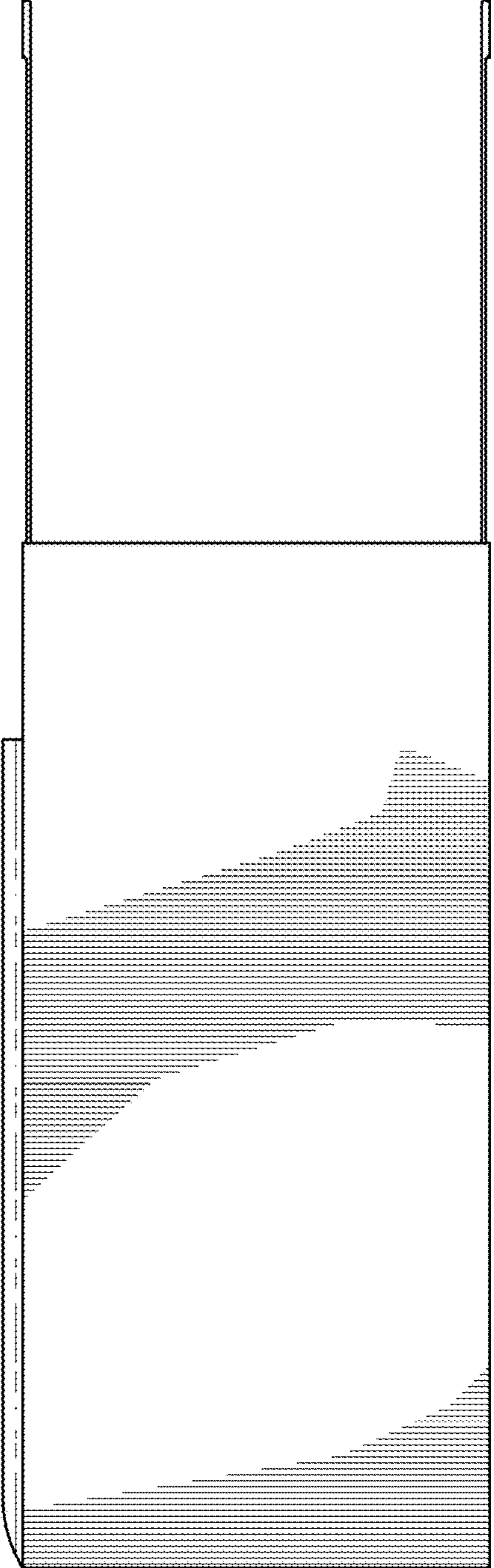
*FIG. 3*

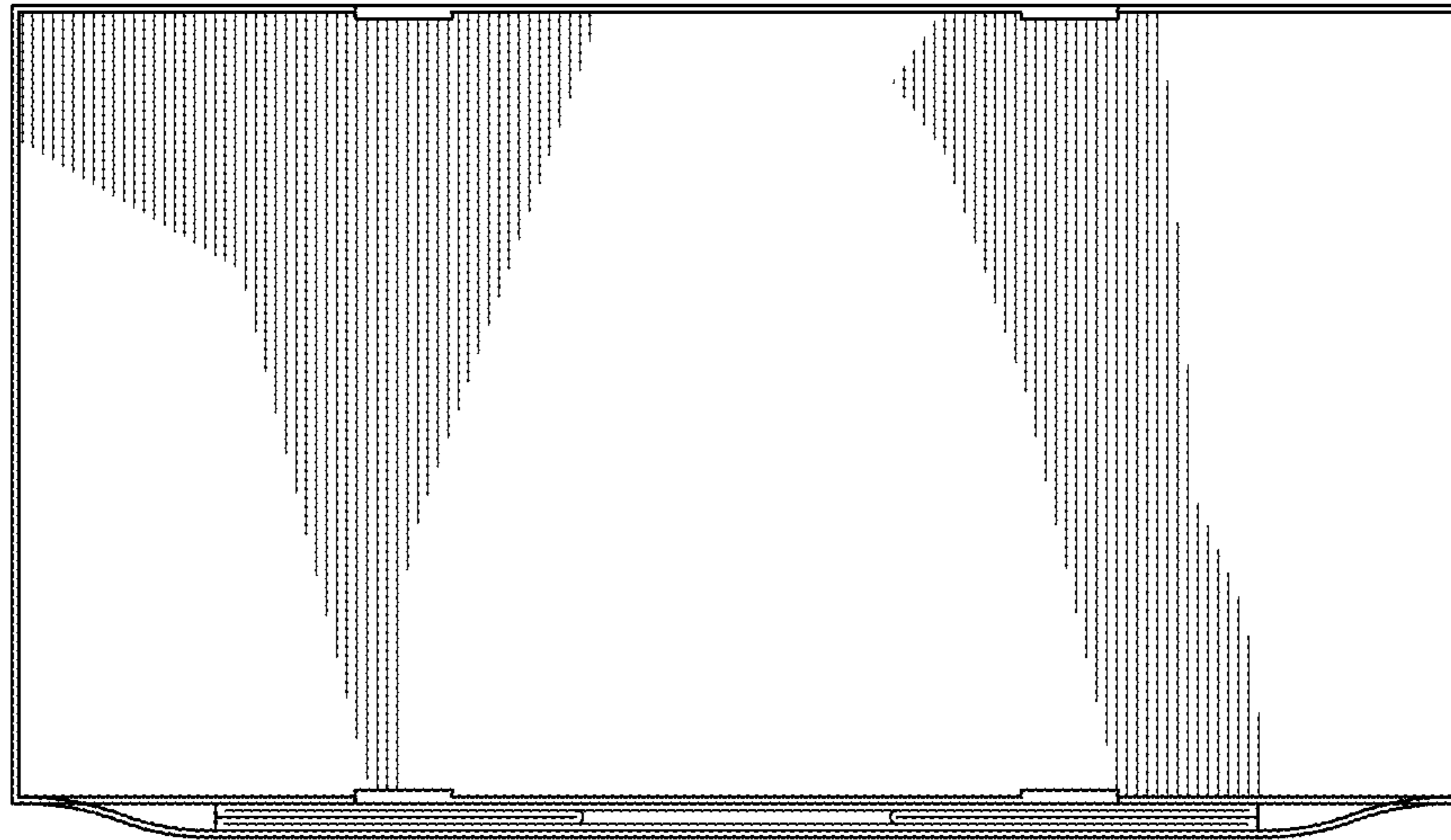


*FIG. 4*



*FIG. 5*



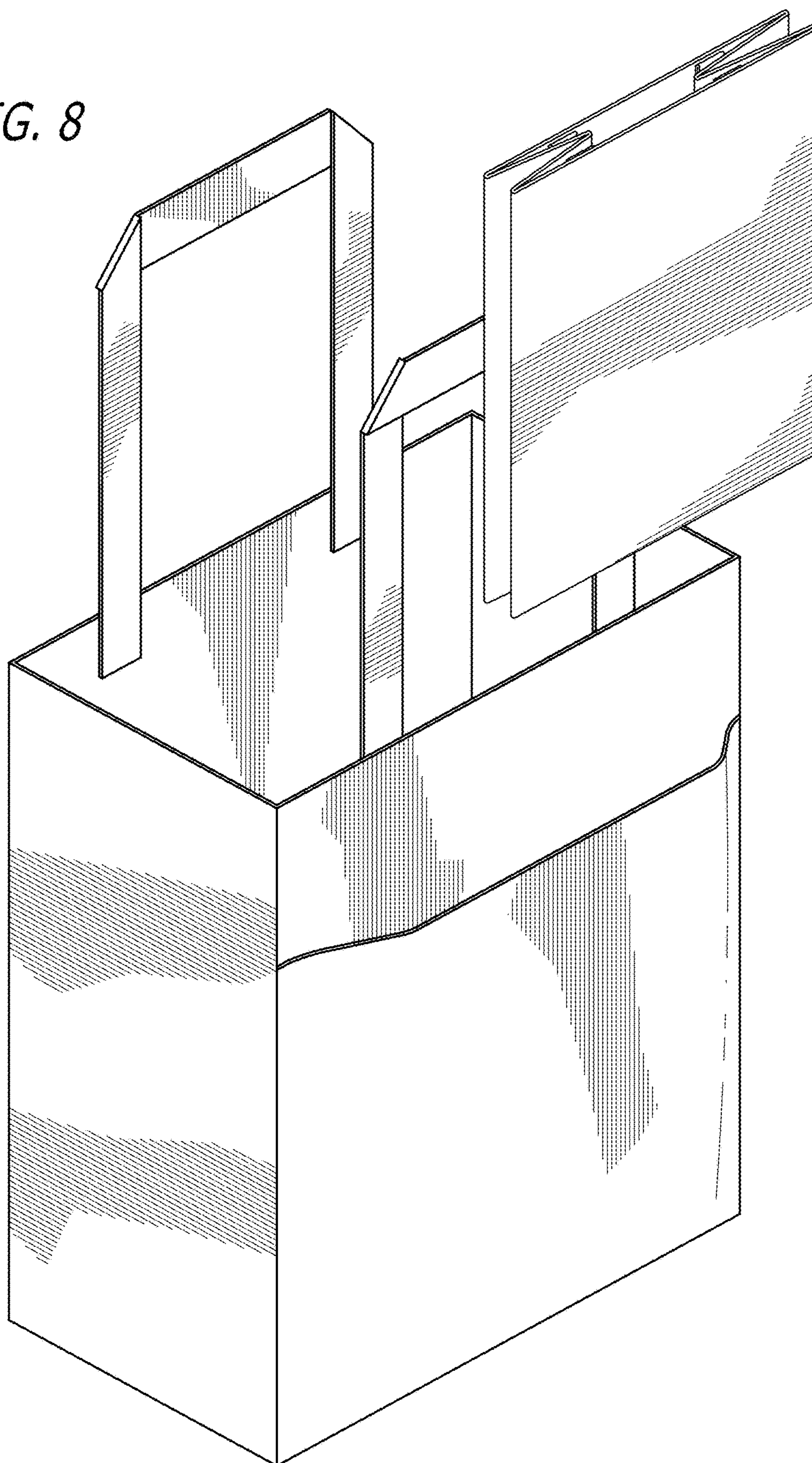


*FIG. 6*



*FIG. 7*

*FIG. 8*



*FIG. 9*

