



US00D814782S

(12) **United States Design Patent**
Ma

(10) **Patent No.:** **US D814,782 S**

(45) **Date of Patent:** **** Apr. 10, 2018**

(54) **UMBRELLA RUNNER**

(71) Applicant: **Oliver Joen-an Ma**, Arcadia, CA (US)

(72) Inventor: **Oliver Joen-an Ma**, Arcadia, CA (US)

(**) Term: **15 Years**

(21) Appl. No.: **29/539,195**

(22) Filed: **Sep. 11, 2015**

Related U.S. Application Data

(62) Division of application No. 29/467,500, filed on Sep. 19, 2013, now Pat. No. Des. 738,610.

(51) **LOC (11) Cl.** **03-03**

(52) **U.S. Cl.**
USPC **D3/10**

(58) **Field of Classification Search**
USPC D3/5, 10; D6/320, 328; D8/83, 106,
D8/311, 310, 312, 314, 354, 356, 360.1,
D8/373, 375, 378, 379, 382, 383, 397,
D8/399; 135/16, 19.5, 22, 27, 28, 39
CPC A45B 2025/003; A45B 2025/06; A45B
2025/105; A45B 25/02; A45B 25/06;
A45B 25/08

See application file for complete search history.

(56) **References Cited**

U.S. PATENT DOCUMENTS

90,883 A	6/1869	Smith	
D33,847 S	1/1901	Gaskill	
768,805 A *	8/1904	Hyde, Jr. A45B 25/06 135/28
878,270 A	2/1908	Blake et al.	
911,169 A *	2/1909	Riehl A45B 25/06 135/28
919,954 A *	4/1909	Riehl A45B 25/06 135/28

924,627 A * 6/1909 Baker A45B 25/06
135/30

941,952 A * 11/1909 Riehl A45B 25/06
135/28

950,913 A 3/1910 Hartzell
(Continued)

OTHER PUBLICATIONS

Operation Manual Easy Sun Parasol Sunshade (Issue: Jul. 2004) pp. 1-17.

(Continued)

Primary Examiner — Sheryl Lane

Assistant Examiner — Catherine Posthauer

(74) *Attorney, Agent, or Firm* — Knobbe, Martens, Olson & Bear, LLP

(57) **CLAIM**

The ornamental designs for an umbrella runner, as shown and described.

DESCRIPTION

FIG. 1 is an environmental perspective view of an umbrella runner, as illustrated in FIGS. 2-9, in an exemplary position of use;

FIG. 2 is a top perspective view of the umbrella runner, with the environment removed for clarity of details;

FIG. 3 is a bottom perspective view of the umbrella runner of FIG. 2;

FIG. 4 is a front view of the umbrella runner of FIG. 2;

FIG. 5 is a rear view of the umbrella runner of FIG. 2;

FIG. 6 is a right side view of the umbrella runner of FIG. 2;

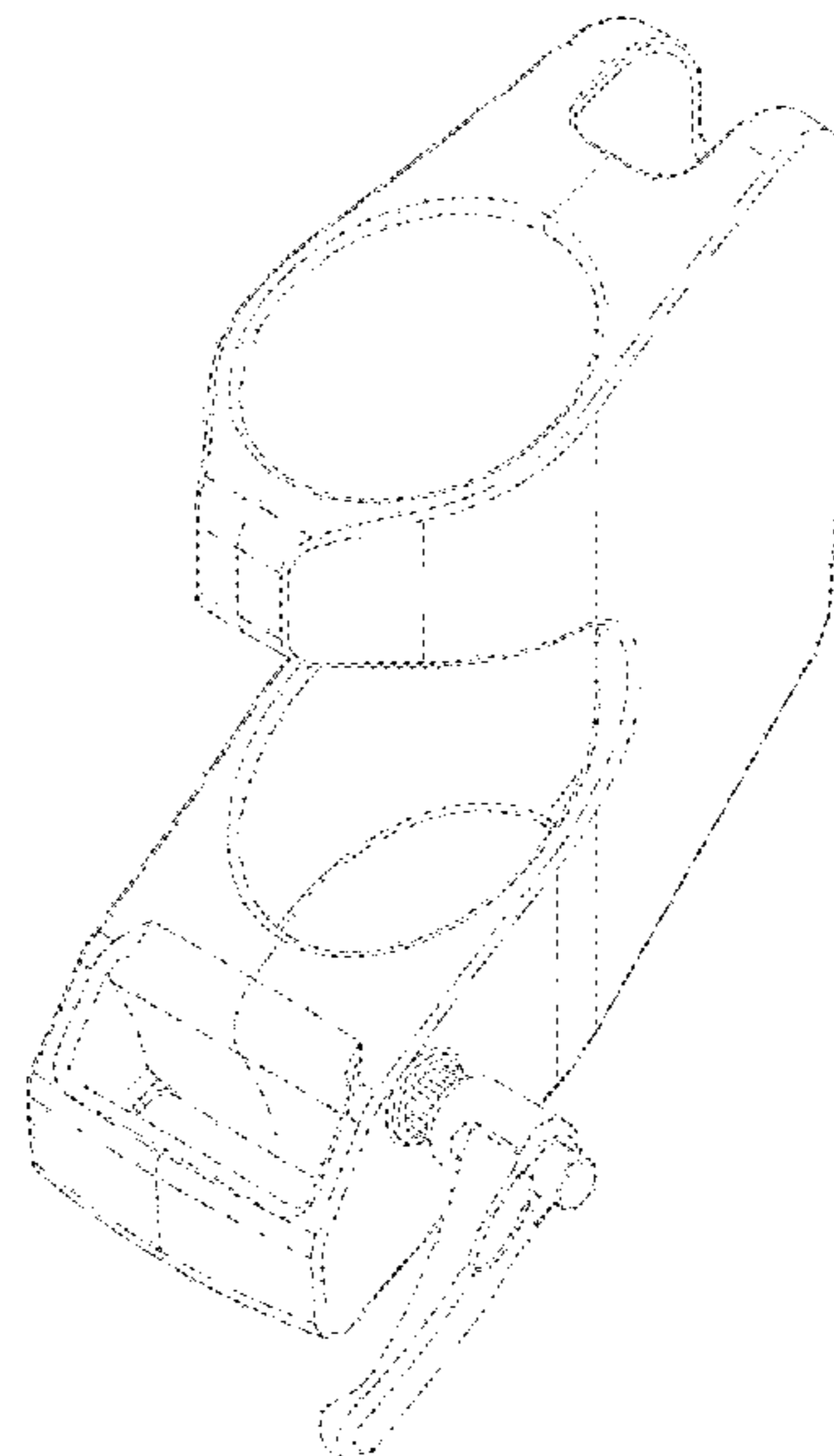
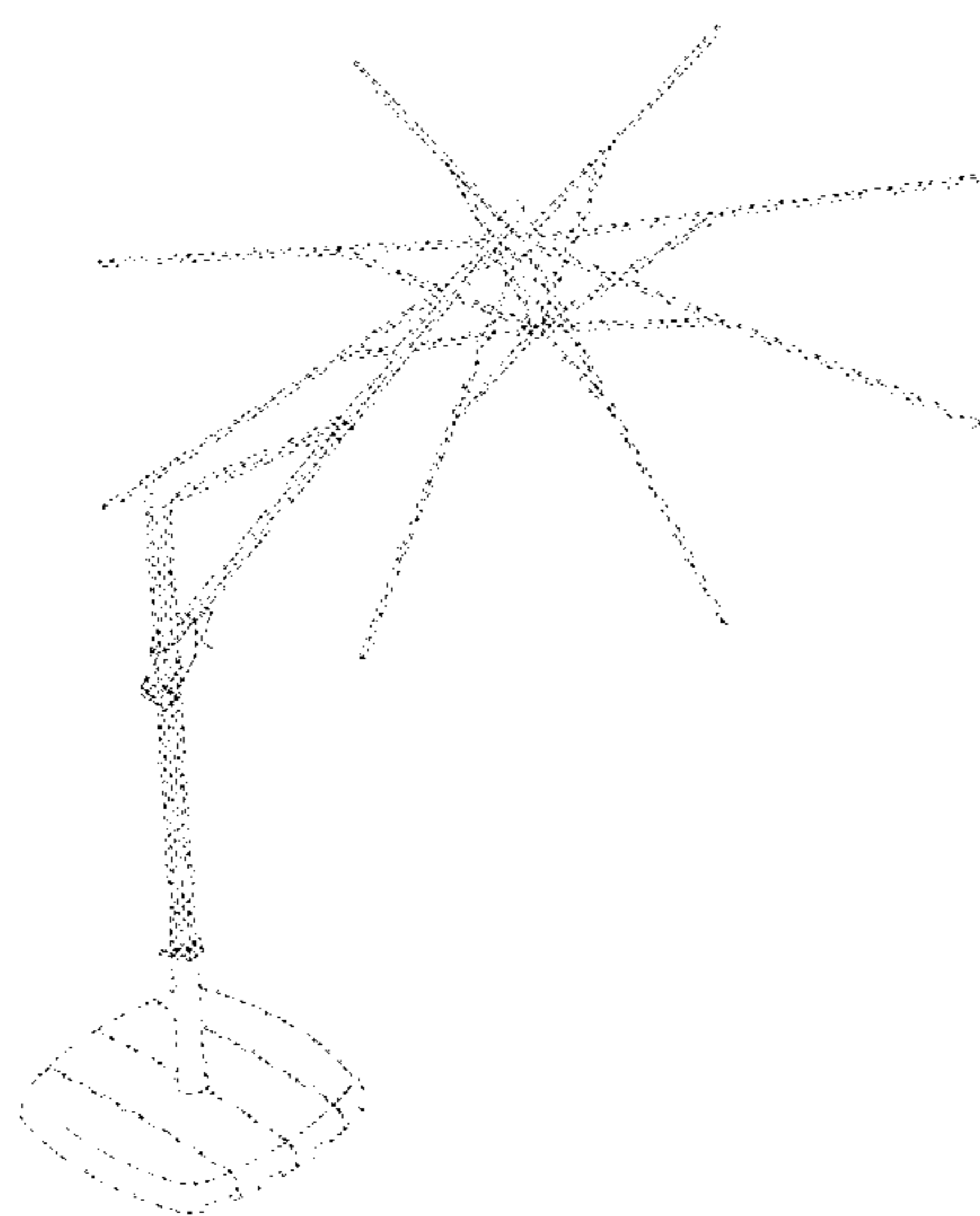
FIG. 7 is a left side view of the umbrella runner of FIG. 2;

FIG. 8 is a top view of the umbrella runner of FIG. 2; and,

FIG. 9 is a bottom view of the umbrella runner of FIG. 2.

The broken lines represent environmental structure and portions of the umbrella runner and form no part of the claimed design.

1 Claim, 8 Drawing Sheets



(56)

References Cited

U.S. PATENT DOCUMENTS

956,396 A	4/1910	Mills et al.		D397,054 S	8/1998	Brantley et al.	
956,657 A	5/1910	Wetteroth		5,794,637 A	8/1998	Figuroa	
957,528 A	5/1910	Wetteroth		D398,443 S	9/1998	Bolle	
1,078,069 A *	11/1913	Simons	A45B 25/06	5,809,734 A	9/1998	Turner	
			135/30	D400,777 S	11/1998	Carsello	
D45,227 S	2/1914	Glauber		5,884,645 A	3/1999	Chen et al.	
1,136,887 A	4/1915	Penn		D408,621 S	4/1999	Kuo	
1,235,296 A	7/1917	Dillingham		5,899,210 A	5/1999	Letherby et al.	
1,243,594 A	10/1917	Dillingham		D410,862 S	6/1999	Mihov	
1,255,627 A	2/1918	Morrow et al.		5,937,882 A	8/1999	Harbaugh	
1,264,799 A *	4/1918	Howard	A45B 25/06	5,960,806 A	10/1999	Steiner	
			135/30	6,014,980 A	1/2000	Glatz	
1,268,354 A	6/1918	Howard		6,076,540 A	6/2000	You	
1,712,430 A *	5/1929	Giszczynski	A45B 25/06	D434,215 S	11/2000	Lin	
			135/28	D434,476 S	11/2000	Meda	
1,808,610 A *	6/1931	Abraham	A45B 25/06	6,145,523 A	11/2000	Lo	
			135/28	6,152,156 A	11/2000	Tung	
1,852,513 A *	4/1932	Frey	A45B 25/06	D434,556 S	12/2000	Lin	
			135/28	6,192,907 B1	2/2001	Wu	
D90,772 S	9/1933	Kasch		D438,783 S	3/2001	Elliott	
D127,735 S	6/1941	Dreyfuss		6,220,261 B1	4/2001	Glatz	
2,447,972 A	8/1948	Weinert		6,230,728 B1	5/2001	Reese	
2,469,637 A *	5/1949	Evans	A45B 25/06	6,247,483 B1	6/2001	Tung	
			135/30	6,298,867 B1	10/2001	Chang	
2,475,406 A	7/1949	Russell		6,305,394 B1	10/2001	Reese	
D162,678 S	3/1951	Muller-Munk		6,311,705 B1	11/2001	Ma	
D167,619 S	9/1952	Coran		6,311,706 B1 *	11/2001	Sato	A45B 25/06
2,762,383 A	9/1956	Wittman					135/28
2,937,653 A *	5/1960	Danciart	A45B 25/08	6,311,707 B1	11/2001	Wu et al.	
			135/37	6,314,976 B1	11/2001	Clarke	
D190,597 S	6/1961	Nelson		6,354,042 B1 *	3/2002	Kuo	A45B 25/06
3,120,238 A	2/1964	Glatz					52/28
3,145,720 A	8/1964	Torii		6,371,141 B1	4/2002	Lin et al.	
3,424,180 A	1/1969	Giancarlo		6,371,686 B1	4/2002	Wu	
3,856,032 A	12/1974	Schafer		6,386,214 B1	5/2002	Clarke	
D265,498 S	7/1982	Paul		6,386,215 B1	5/2002	Chang	
4,368,749 A	1/1983	Lindler et al.		6,412,506 B1	7/2002	Reese	
D276,838 S	12/1984	Hill et al.		6,422,251 B1	7/2002	Tseng	
D278,029 S *	3/1985	Suponitsky	D8/397	6,435,444 B1	8/2002	Lin	
4,576,191 A *	3/1986	Schultes	A45B 25/02	D465,915 S *	11/2002	Earnshaw	D3/10
			135/30	6,478,037 B2	11/2002	Tung	
4,586,525 A	5/1986	Glatz et al.		6,571,813 B2	6/2003	Lin et al.	
4,622,987 A	11/1986	Redl et al.		6,575,182 B2	6/2003	Tung	
4,674,523 A	6/1987	Glatz		6,575,183 B2	6/2003	Tung	
4,697,606 A	10/1987	Ma		D477,458 S	7/2003	Goldwitz	
4,811,670 A	3/1989	Kolvites et al.		6,588,438 B1	7/2003	Steiner	
4,878,509 A	11/1989	Tung		D478,416 S	8/2003	Clarke	
5,002,081 A	3/1991	Stromeyer		6,619,306 B2	9/2003	Ma	
5,029,596 A	7/1991	Tung		6,662,815 B2	12/2003	Tung	
D320,111 S *	9/1991	Ma	135/28	6,732,753 B2	5/2004	Chang	
5,050,627 A	9/1991	Hengtzu		6,758,229 B2	7/2004	Wang	
D321,779 S	11/1991	Ma		D497,478 S	10/2004	Clarke	
5,144,780 A	9/1992	Gielsing et al.		D497,479 S	10/2004	Yu	
5,275,186 A *	1/1994	Liu	A45B 25/08	6,837,255 B2	1/2005	Bunch et al.	
			135/24	6,851,823 B2	2/2005	Bilotti	
D344,786 S	3/1994	Short et al.		D503,035 S	3/2005	Ko	
5,349,975 A	9/1994	Valdner		D503,272 S	3/2005	Machin et al.	
5,357,994 A	10/1994	Chung		6,889,699 B2	5/2005	Clarke	
D360,522 S	7/1995	Ko		6,923,193 B2	8/2005	Chen	
5,494,064 A *	2/1996	Chuang Lee	A45B 25/06	6,941,960 B2	9/2005	Huang	
			135/28	D513,471 S *	1/2006	Sato	D8/382
5,499,644 A	3/1996	Geniele		D515,222 S	2/2006	Kieffer	
D372,854 S	8/1996	Jimenez		7,000,624 B2	2/2006	Chang	
5,566,699 A *	10/1996	Kou	A45B 25/08	D518,629 S	4/2006	Ma	
			135/28	D525,721 S	7/2006	Landes	
D376,974 S	12/1996	Chen		7,082,953 B2	8/2006	Liu	
5,584,564 A	12/1996	Phyle		7,089,950 B2	8/2006	Lin	
5,588,455 A *	12/1996	Kuo	A45B 25/06	7,134,442 B2	11/2006	Ma	
			135/28	D539,632 S	4/2007	Ma	
5,611,364 A	3/1997	Woods et al.		D545,184 S *	6/2007	Hanamura	D8/397
5,655,557 A	8/1997	Martin		D549,285 S *	8/2007	Chen	D12/579
5,740,823 A	4/1998	Lin et al.		7,293,573 B2	11/2007	Clarke	
5,746,235 A	5/1998	Lin		D558,444 S	1/2008	Ma	
5,785,069 A	7/1998	Glatz		7,318,444 B2	1/2008	Clarke	
				7,328,715 B2	2/2008	Neubardt	
				7,341,068 B2	3/2008	Liu	
				D577,423 S	9/2008	Dole	
				7,546,845 B2	6/2009	Prusmack	
				7,556,051 B2	7/2009	Lai	

US D814,782 S

(56)

References Cited

U.S. PATENT DOCUMENTS

D597,822	S	8/2009	Olsen	
D600,326	S	9/2009	Gibb et al.	
D602,686	S	10/2009	Patzak	
7,647,936	B1 *	1/2010	Chen	A45B 25/06 135/28
7,665,477	B1	2/2010	Hathaway	
7,686,024	B1	3/2010	Lai	
7,703,464	B2	4/2010	Ma	
7,708,022	B2	5/2010	Ma	
D623,396	S *	9/2010	He	D3/10
D626,324	S	11/2010	Ma	
D631,243	S	1/2011	Forthuber et al.	
7,861,734	B2	1/2011	Ma	
7,891,367	B2	2/2011	Ma	
7,900,643	B2	3/2011	Ma	
7,913,708	B2	3/2011	Yung	
D644,832	S	9/2011	Patzak	
D649,641	S	11/2011	Guttulsrud	
8,061,375	B2	11/2011	Ma	
8,082,935	B2	12/2011	Ma	
8,096,310	B2	1/2012	Clarke	
D662,064	S	6/2012	Natoli et al.	
D668,446	S	10/2012	Patzak	
D669,555	S *	10/2012	Jaworski	D23/213
8,443,819	B2	5/2013	Beaulieu	
D687,102	S	7/2013	Chandaria	
D698,320	S	1/2014	Condo et al.	
D700,835	S	3/2014	Langlois et al.	
D711,730	S	8/2014	McKiernan	
D719,343	S *	12/2014	Ma	D3/10
8,961,340	B2	2/2015	Boatwright et al.	
D738,609	S *	9/2015	Ma	D3/10
D738,610	S	9/2015	Ma	
D741,701	S	10/2015	McNeil et al.	
D748,464	S *	2/2016	Kury	D8/397
D749,835	S	2/2016	Whitaker	
D758,177	S	6/2016	Riccione	
D760,486	S	7/2016	Patzak	
D766,711	S	9/2016	Babbage	
D770,886	S	11/2016	Whitaker	
D781,787	S	3/2017	Spiel	
9,615,637	B1 *	4/2017	Tung	A45B 17/00
2002/0083969	A1	7/2002	Tung	
2002/0129843	A1	9/2002	Wang	
2002/0139405	A1	10/2002	Lee	
2003/0015230	A1	1/2003	Glatz	
2004/0031513	A1	2/2004	Bunch et al.	
2004/0055627	A1	3/2004	Moga	
2004/0055628	A1	3/2004	Yu	
2004/0069333	A1	4/2004	Ma	
2004/0154525	A1	8/2004	Wirth et al.	
2004/0182429	A1	9/2004	Chen	
2004/0206382	A1	10/2004	Clarke	

2004/0206383	A1	10/2004	Clarke	
2005/0098200	A1	5/2005	Su	
2005/0115599	A1 *	6/2005	You	A45B 25/02 135/29
2005/0194027	A1 *	9/2005	Ko	A45B 25/08 135/39
2005/0241687	A1 *	11/2005	Ko	A45B 25/06 135/39
2006/0005867	A1	1/2006	Chang	
2006/0151019	A1	7/2006	Lo	
2007/0113878	A1 *	5/2007	Ko	A45B 25/06 135/38
2008/0066793	A1	3/2008	Ma	
2008/0087311	A1 *	4/2008	Chang	A45B 25/08 135/28
2008/0202570	A1	8/2008	Clarke	
2009/0007945	A1	1/2009	Ma	
2009/0014041	A1 *	1/2009	Li	A45B 3/00 135/16
2009/0260664	A1	10/2009	Ma	
2010/0132165	A1	6/2010	Shor et al.	
2010/0139724	A1	6/2010	Lai	
2010/0139725	A1	6/2010	Lai	
2011/0017249	A1 *	1/2011	Ma	A45B 25/08 135/39
2011/0061694	A1	3/2011	Vanderminden, Sr.	
2011/0132418	A1	6/2011	Ma	
2011/0209732	A1	9/2011	Ma	
2011/0214705	A1	9/2011	Ma	
2011/0277800	A1	11/2011	Tung	
2012/0227221	A1	9/2012	Whitaker et al.	
2013/0098411	A1 *	4/2013	Chen	A45B 25/08 135/28
2013/0152984	A1 *	6/2013	Chou	A45B 25/06 135/15.1
2013/0276843	A1	10/2013	Ma	
2013/0333734	A1 *	12/2013	Ma	A45B 17/00 135/20.1
2014/0020725	A1 *	1/2014	Ma	A45B 25/02 135/29
2014/0096803	A1 *	4/2014	Siegenthaler	A45B 25/08 135/22
2014/0109942	A1 *	4/2014	Ma	A45B 25/08 135/28
2014/0251394	A1	9/2014	Ma	
2015/0059815	A1 *	3/2015	Xiong	A45B 17/00 135/20.1
2017/0112242	A1 *	4/2017	Ma	A45B 25/06

OTHER PUBLICATIONS

Activa Leisure, 2010 Product Catalog.
Treasure Garden, Inc., Collections 2015, Product Catalog, including front and rear covers.

* cited by examiner

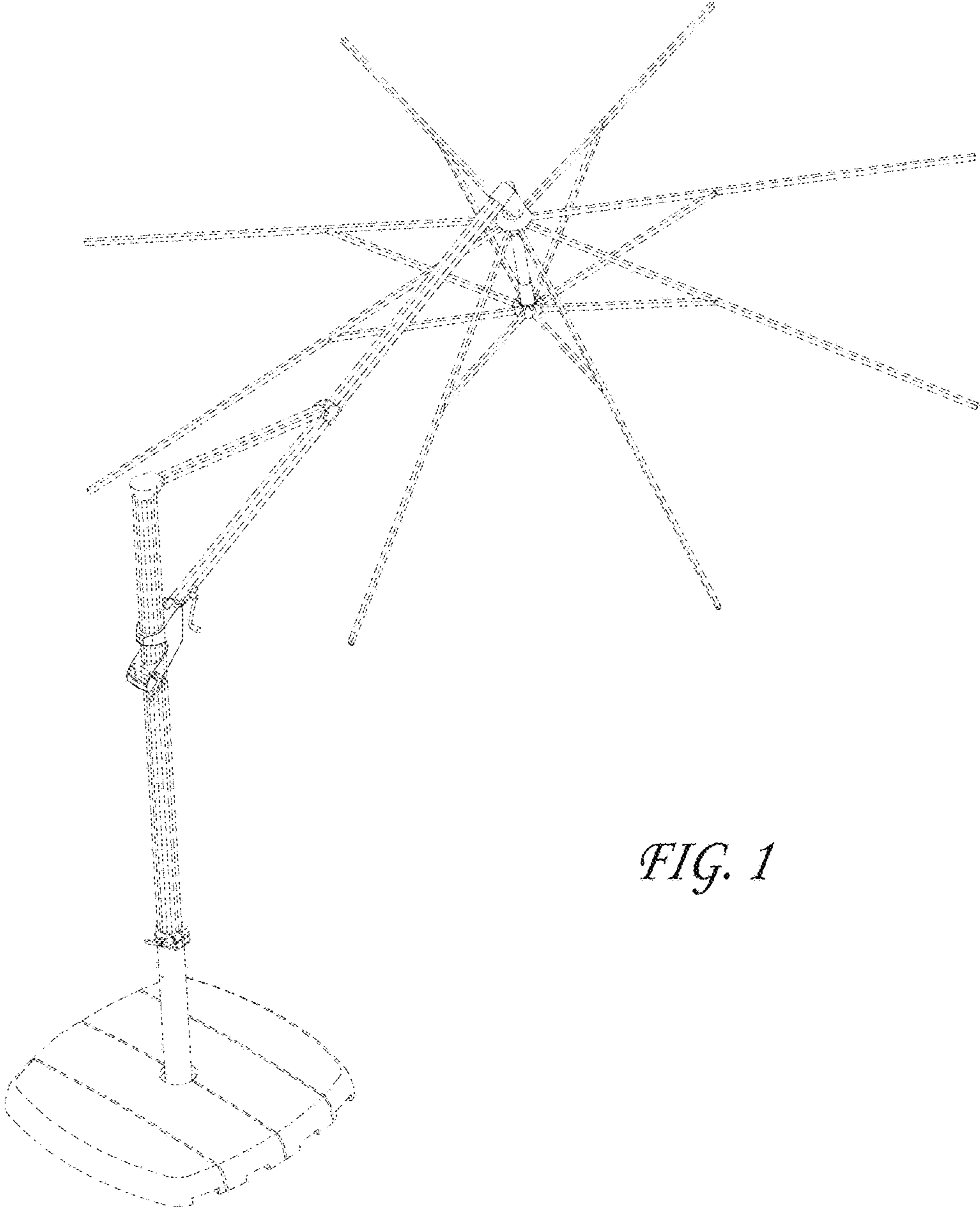


FIG. 1

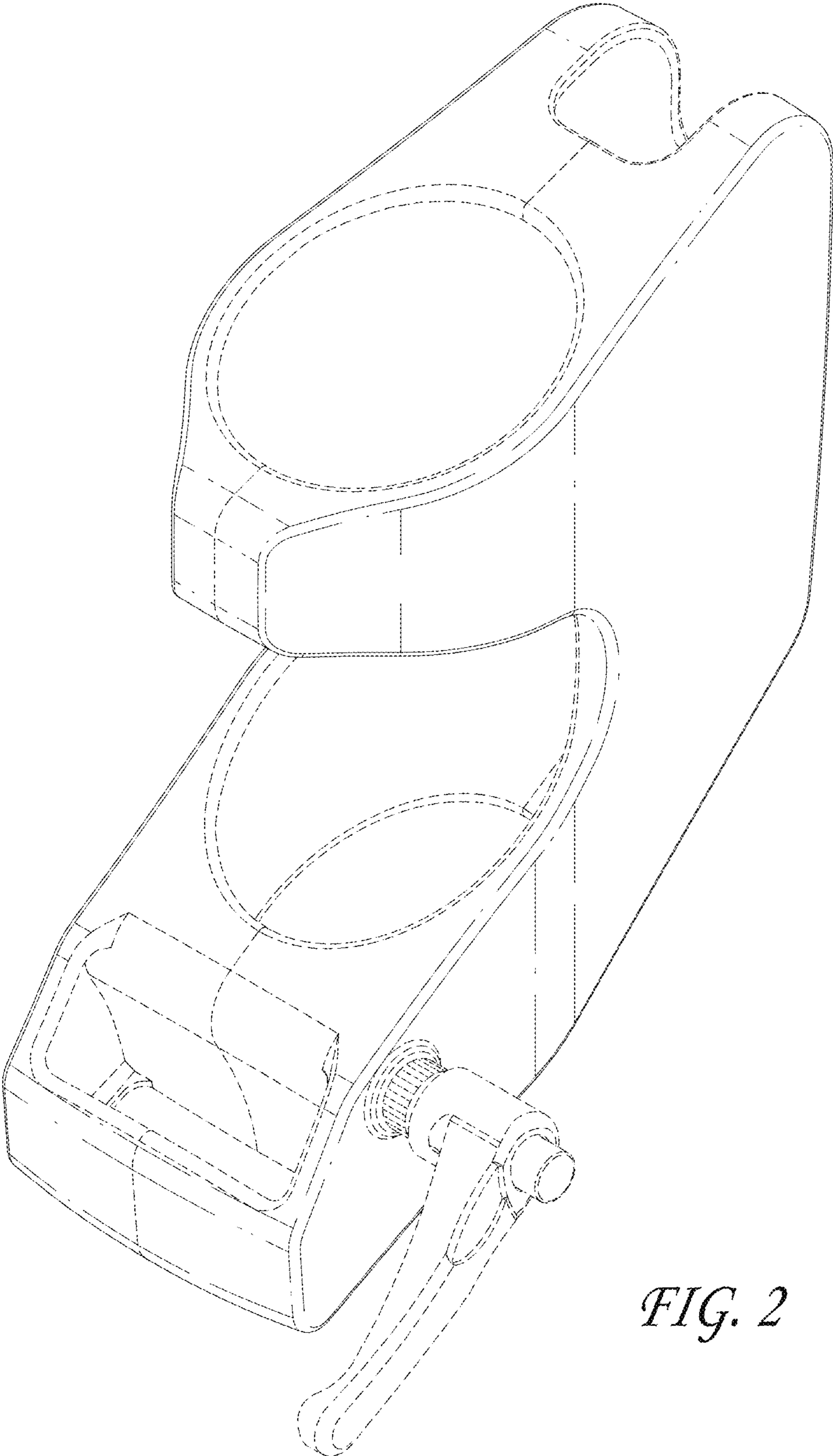


FIG. 2

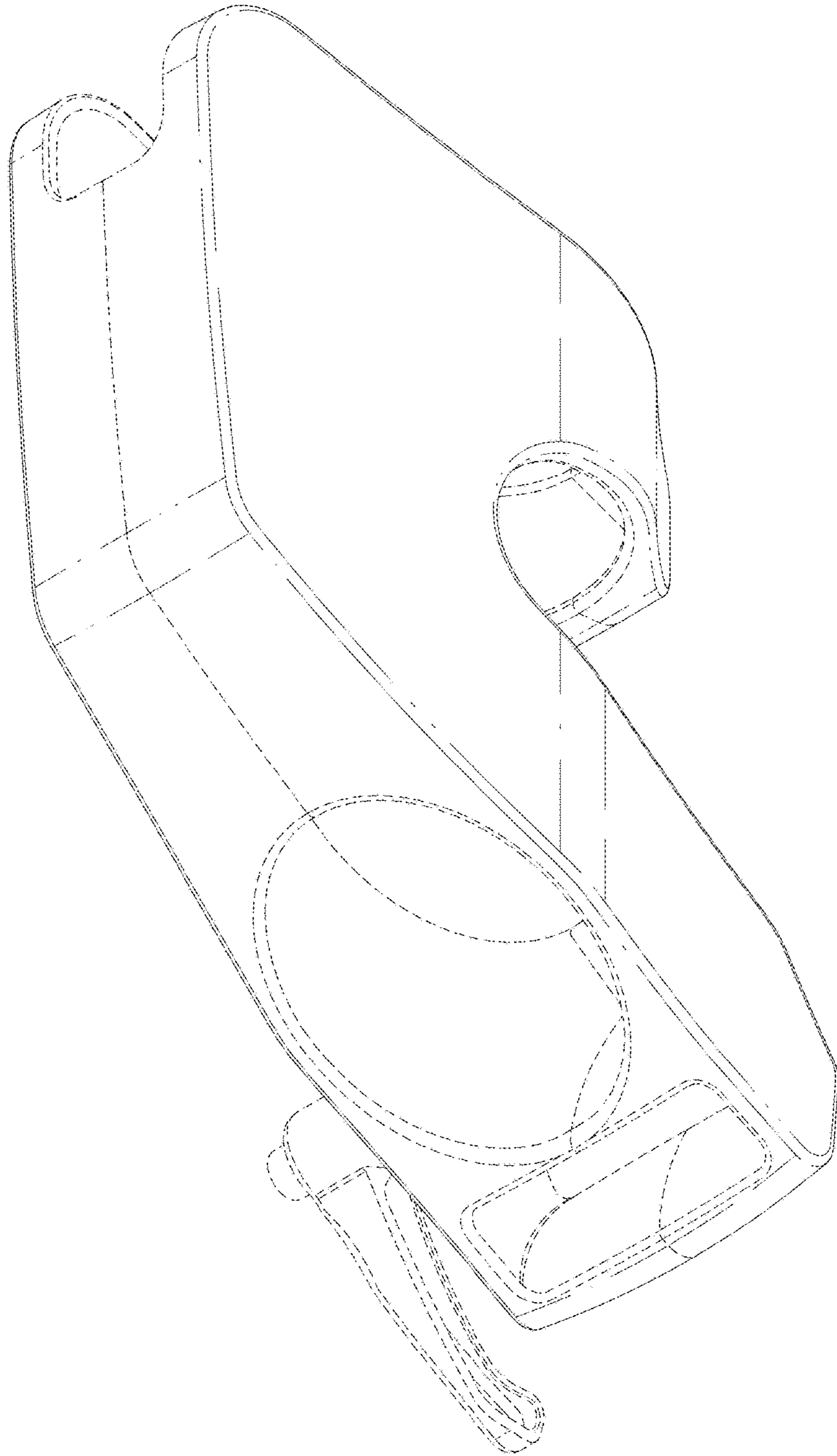


FIG. 3

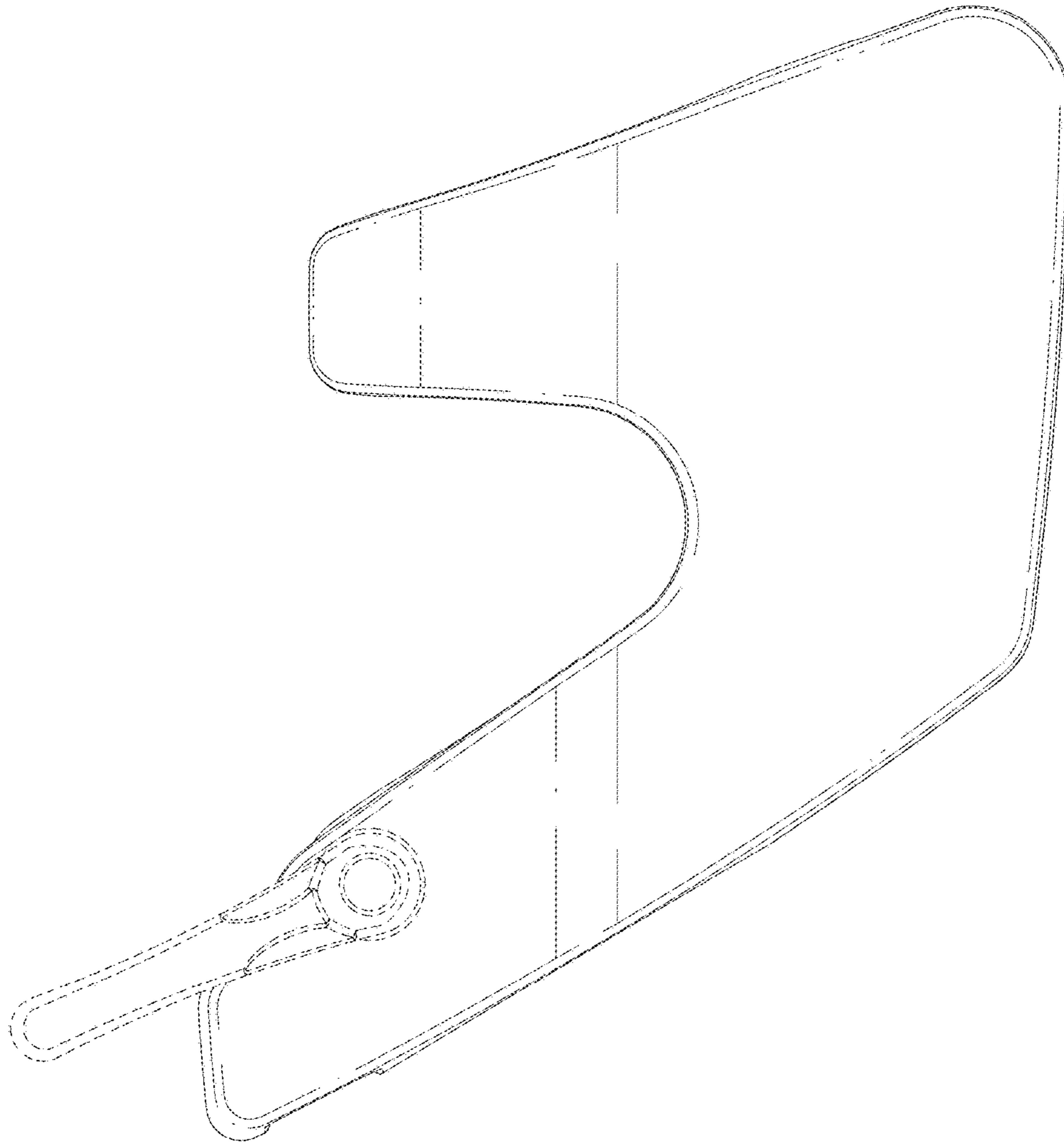


FIG. 4

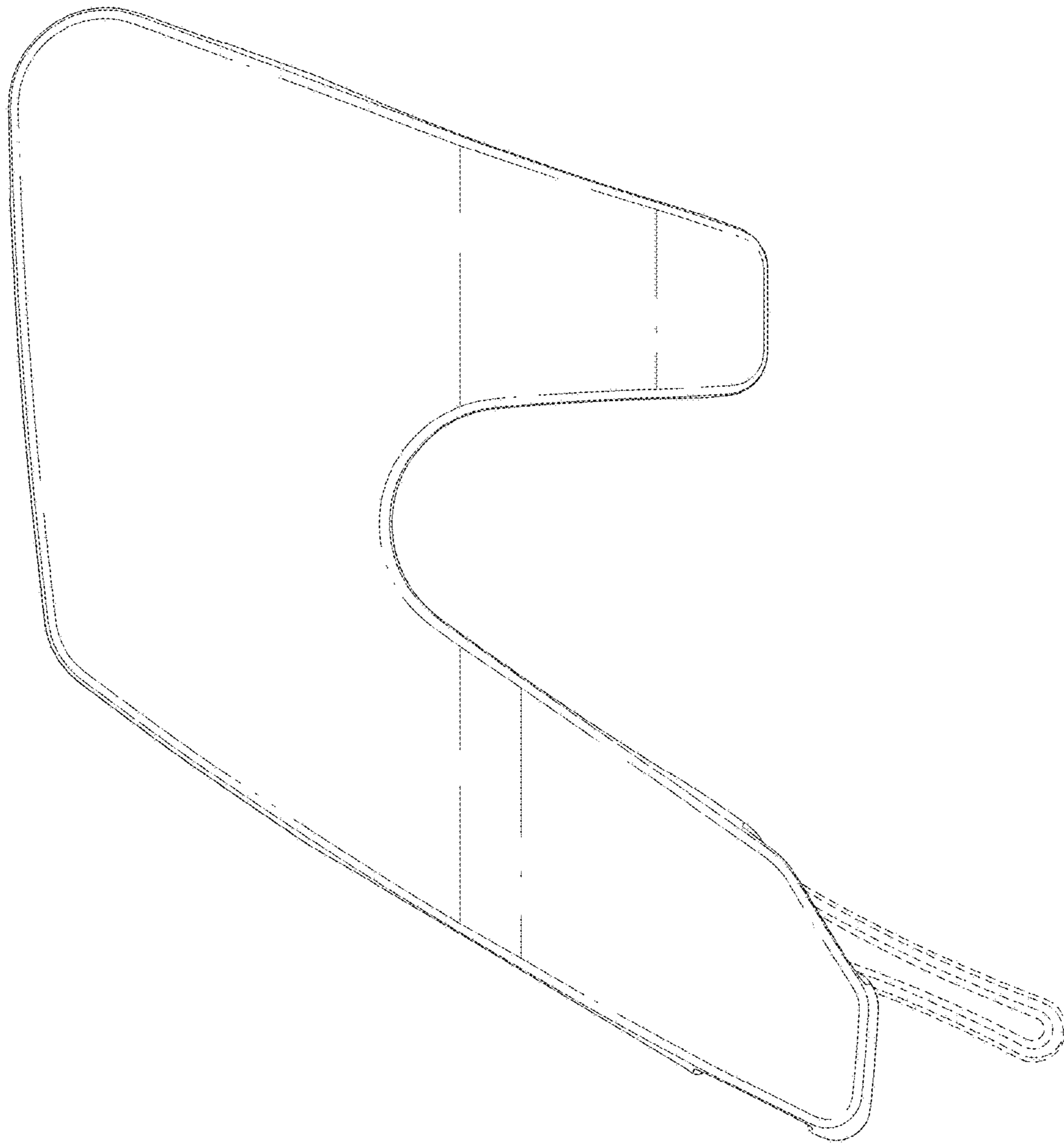


FIG. 5

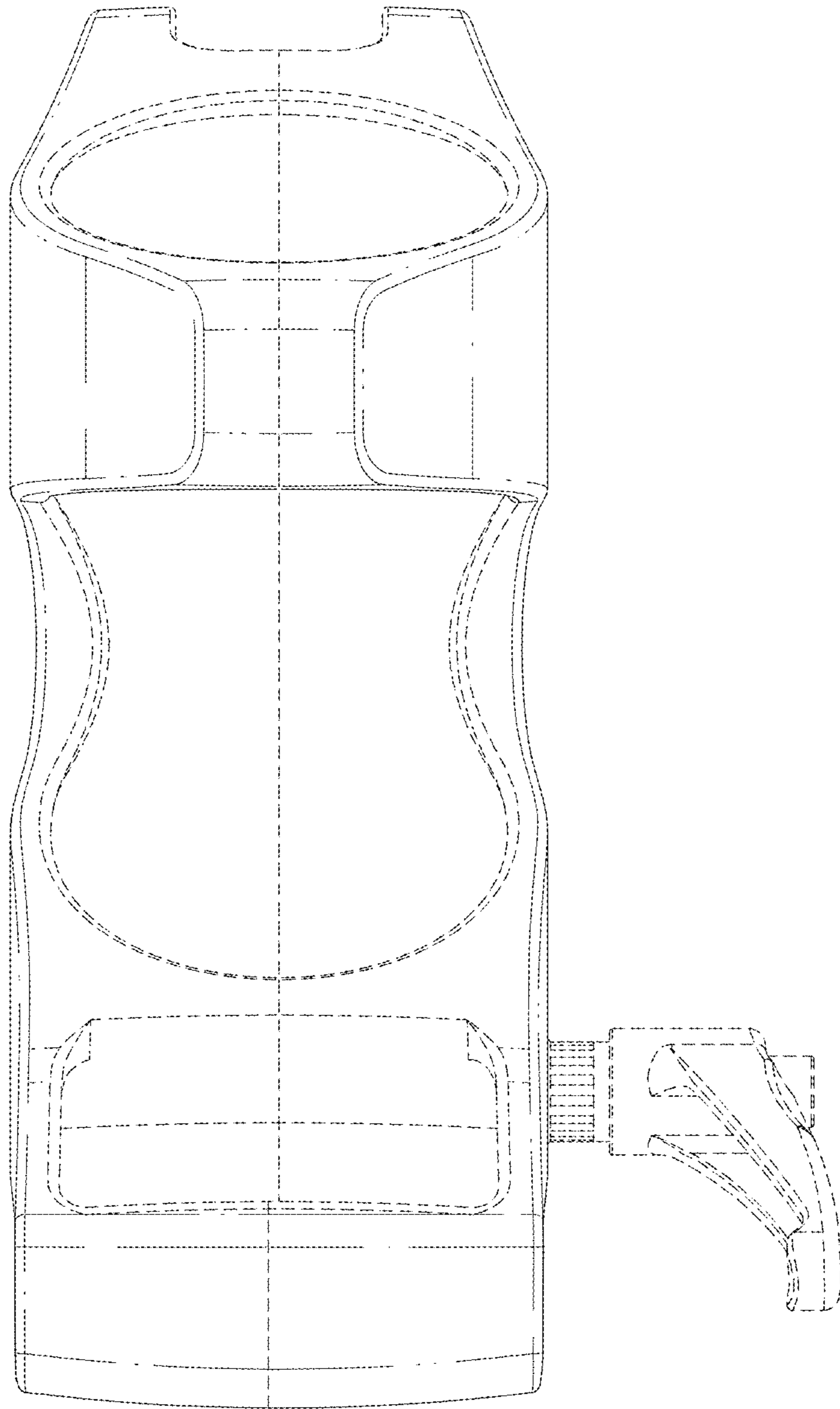


FIG. 6

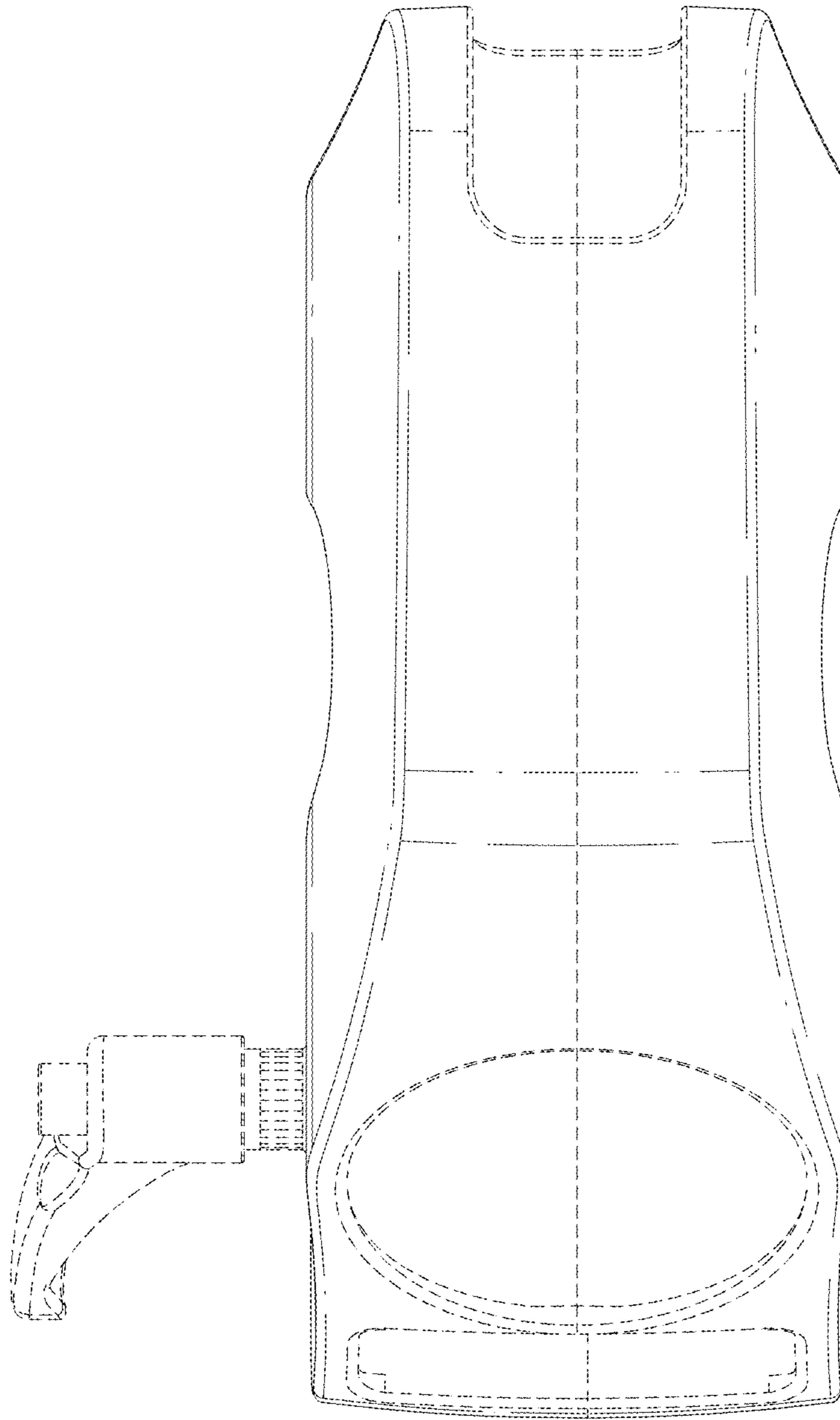


FIG. 7

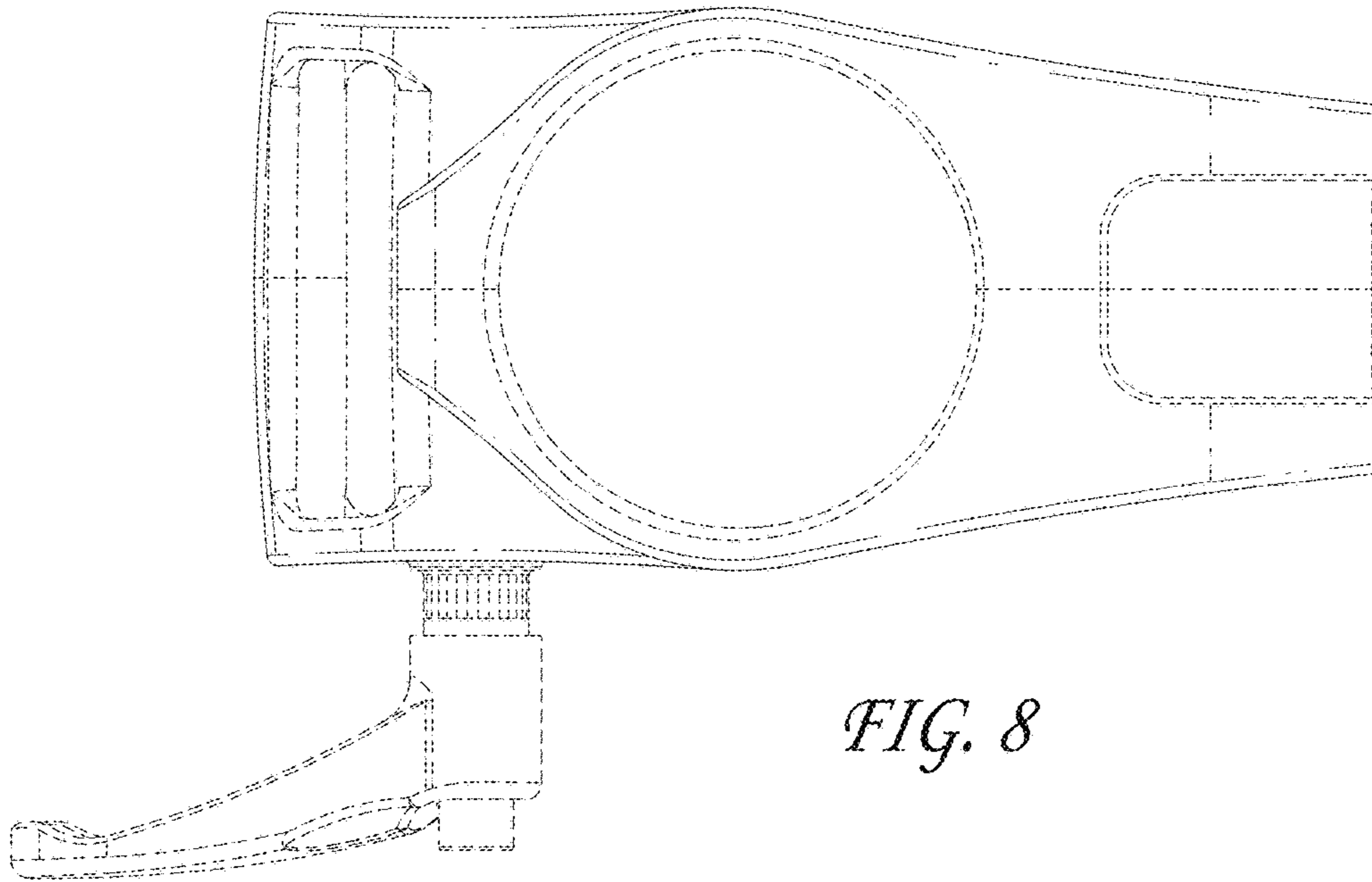


FIG. 8

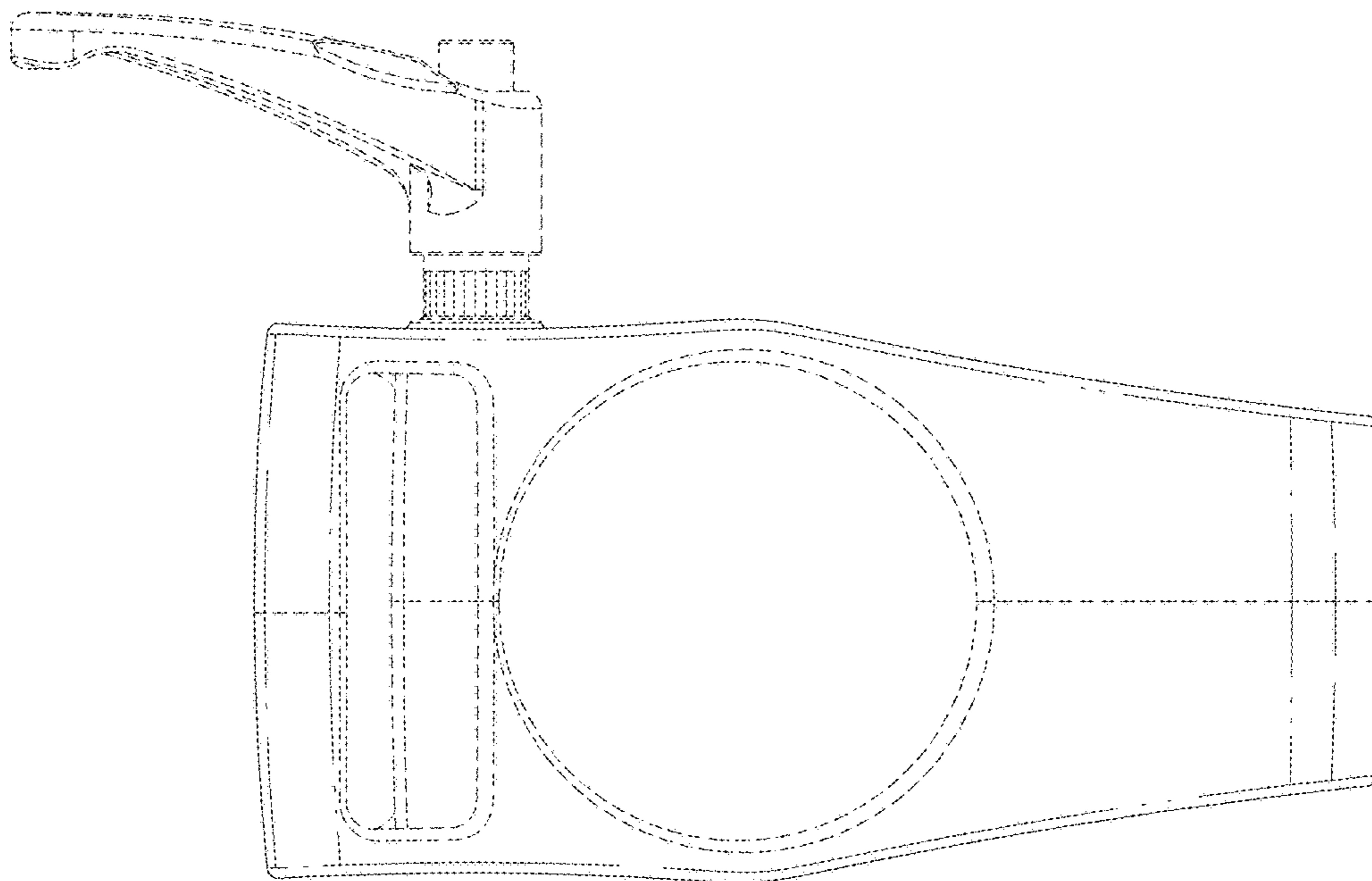


FIG. 9