



US00D814770S

(12) **United States Design Patent**  
**McClaskie**

(10) **Patent No.:** **US D814,770 S**  
(45) **Date of Patent:** **\*\* Apr. 10, 2018**

(54) **UPPER FOR A SHOE**

(71) Applicant: **Thomas E. McClaskie**, Bethlehem, PA  
(US)

(72) Inventor: **Thomas E. McClaskie**, Bethlehem, PA  
(US)

(\*\*) Term: **15 Years**

(21) Appl. No.: **29/570,357**

(22) Filed: **Jul. 7, 2016**

(51) **LOC (11) Cl.** ..... **02-99**

(52) **U.S. Cl.**  
USPC ..... **D2/971**

(58) **Field of Classification Search**  
USPC ..... D2/896, 900, 916-918, 925-942, 969,  
D2/971

CPC ..... A43B 21/00; A43B 21/02; A43B 21/06;  
A43B 9/14; A43B 1/0045; A43B 13/10;  
A43B 13/12; A43B 23/06; A43B 23/07;  
A43B 1/0036; A43B 5/12; A43B 3/248;  
A43B 9/02; A43B 13/122; A43B 13/14;  
A43B 3/108

See application file for complete search history.

(56) **References Cited**

**U.S. PATENT DOCUMENTS**

D82,990 S \* 1/1931 Hubbell ..... D2/918  
D92,201 S \* 5/1934 Perugia ..... D2/917

D95,776 S \* 5/1935 Perugia ..... D2/918  
D104,765 S \* 6/1937 Carey ..... D2/918  
D105,446 S \* 7/1937 Troy ..... D2/931  
D113,241 S \* 2/1939 Smith ..... D2/918  
D118,719 S \* 1/1940 Berland ..... D2/918  
D246,337 S \* 11/1977 Niarhos ..... D2/918  
D452,066 S \* 12/2001 Dean ..... D2/916  
D495,855 S \* 9/2004 Comeau ..... D2/917  
D577,182 S \* 9/2008 Comeau ..... D2/917  
D581,149 S \* 11/2008 Comeau ..... D2/917  
D613,049 S \* 4/2010 Lawler ..... D2/971

\* cited by examiner

*Primary Examiner* — Dominic Simone

(57) **CLAIM**

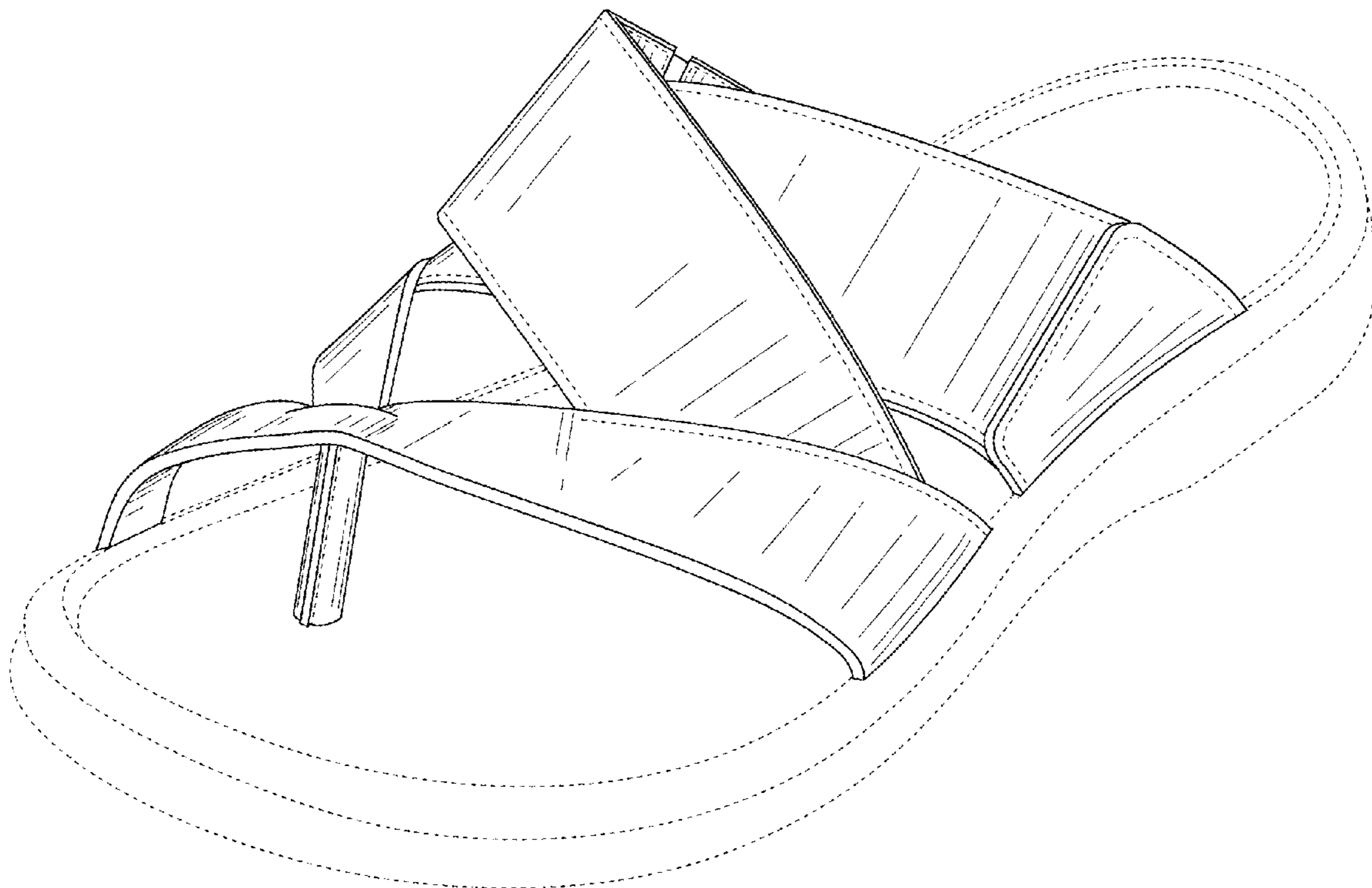
The ornamental design for an upper for a shoe, as shown and described.

**DESCRIPTION**

FIG. 1 is a perspective view of an upper for a shoe in accordance with my new design;  
FIG. 2 is a top view thereof;  
FIG. 3 is a right view thereof;  
FIG. 4 is a left view thereof;  
FIG. 5 is a front view thereof; and,  
FIG. 6 is a rear view thereof.

The broken lines shown in all of the figures are for environmental purposes and form no part of the claim.

**1 Claim, 5 Drawing Sheets**



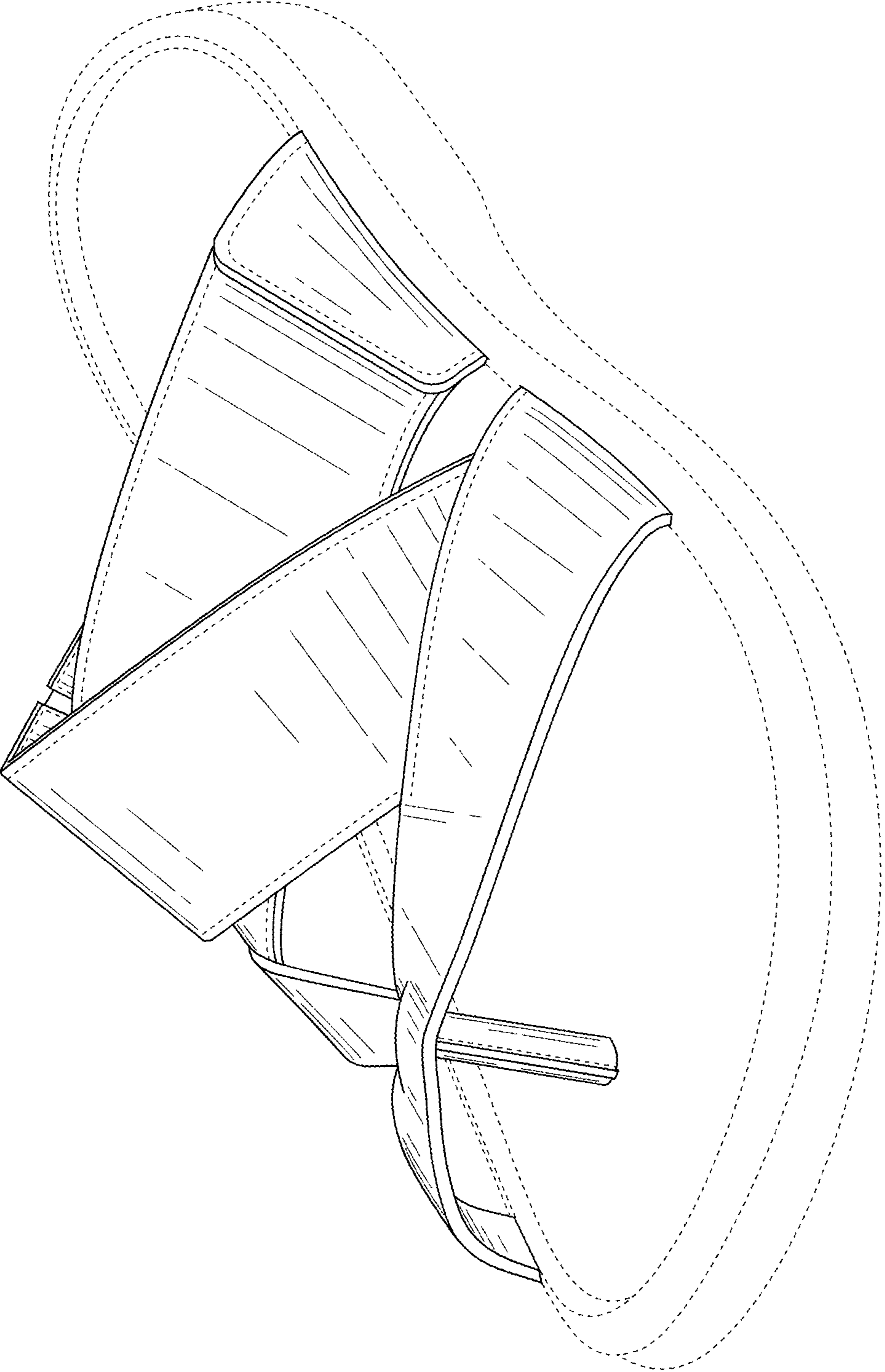


FIG. 1

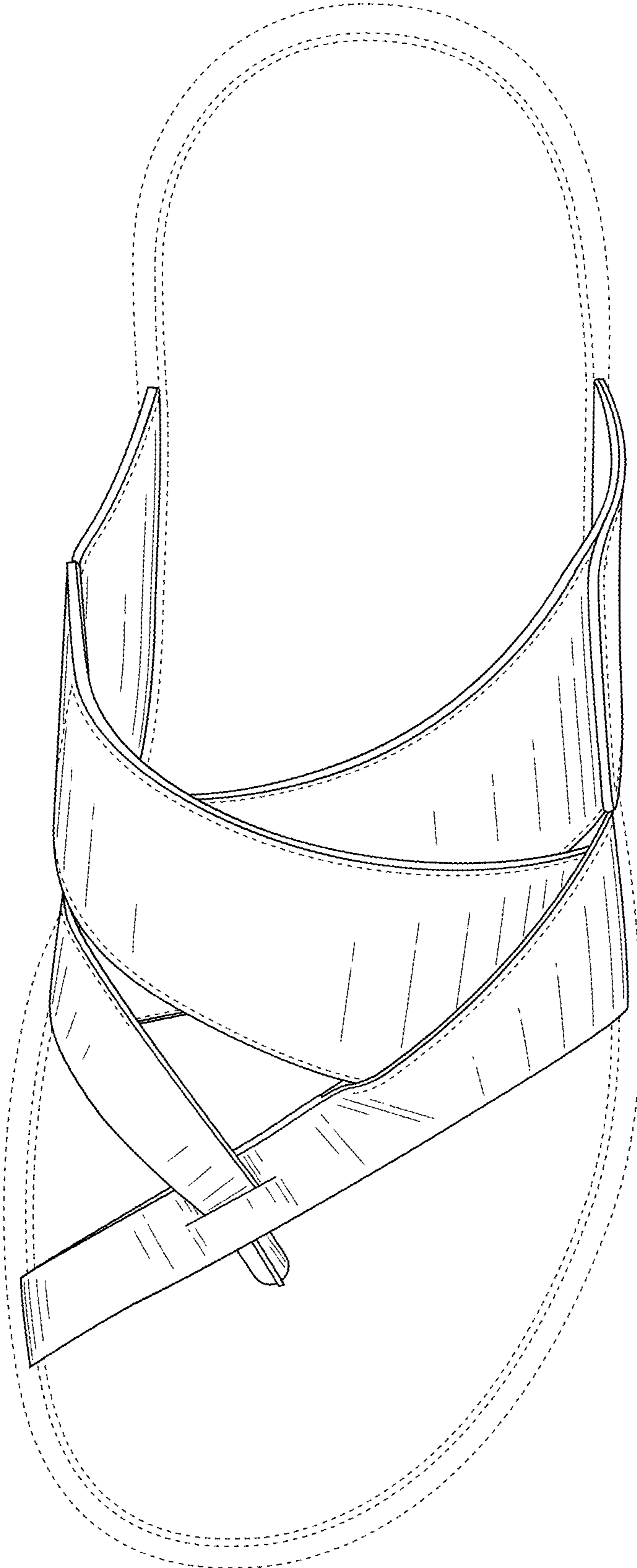


FIG. 2

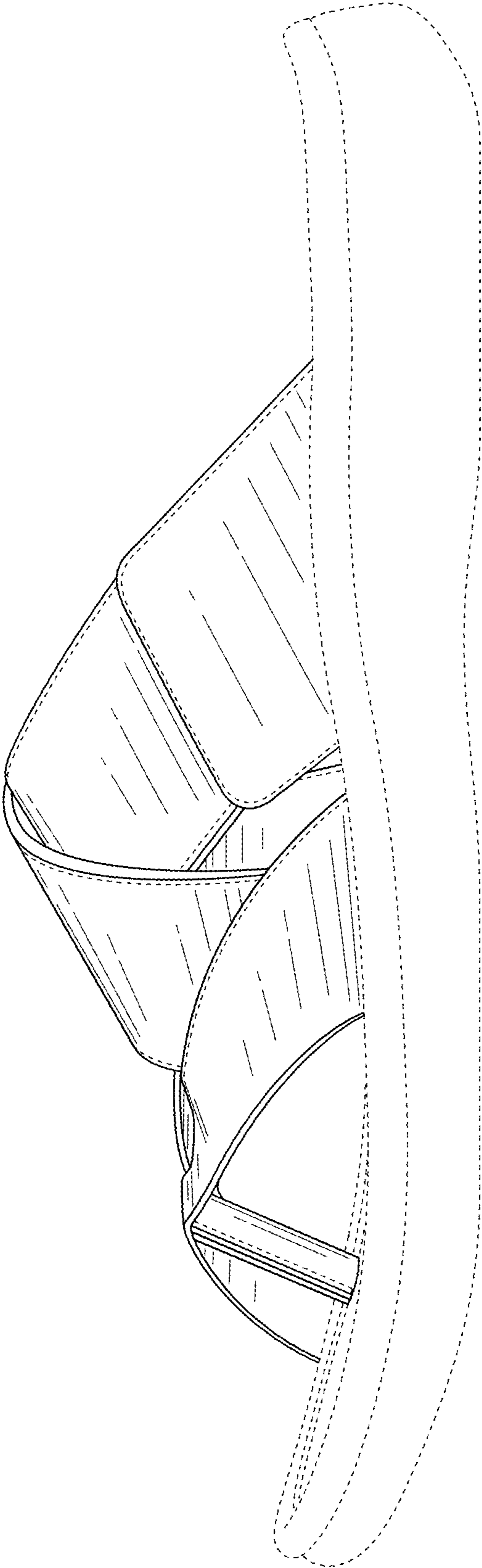


FIG. 3

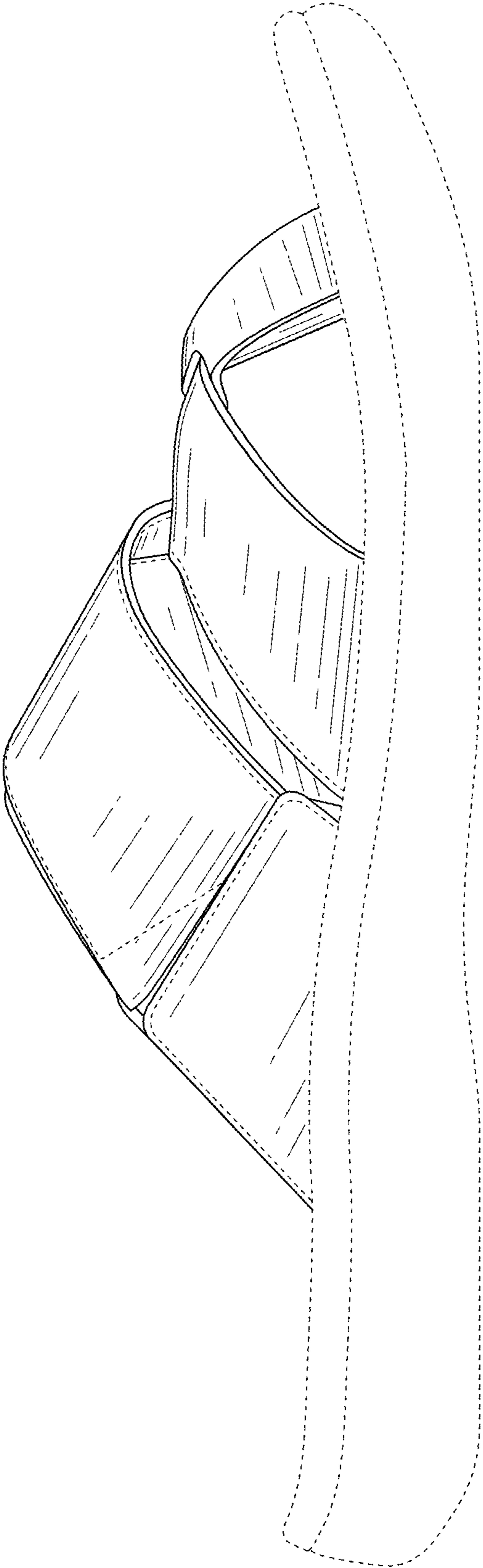


FIG. 4

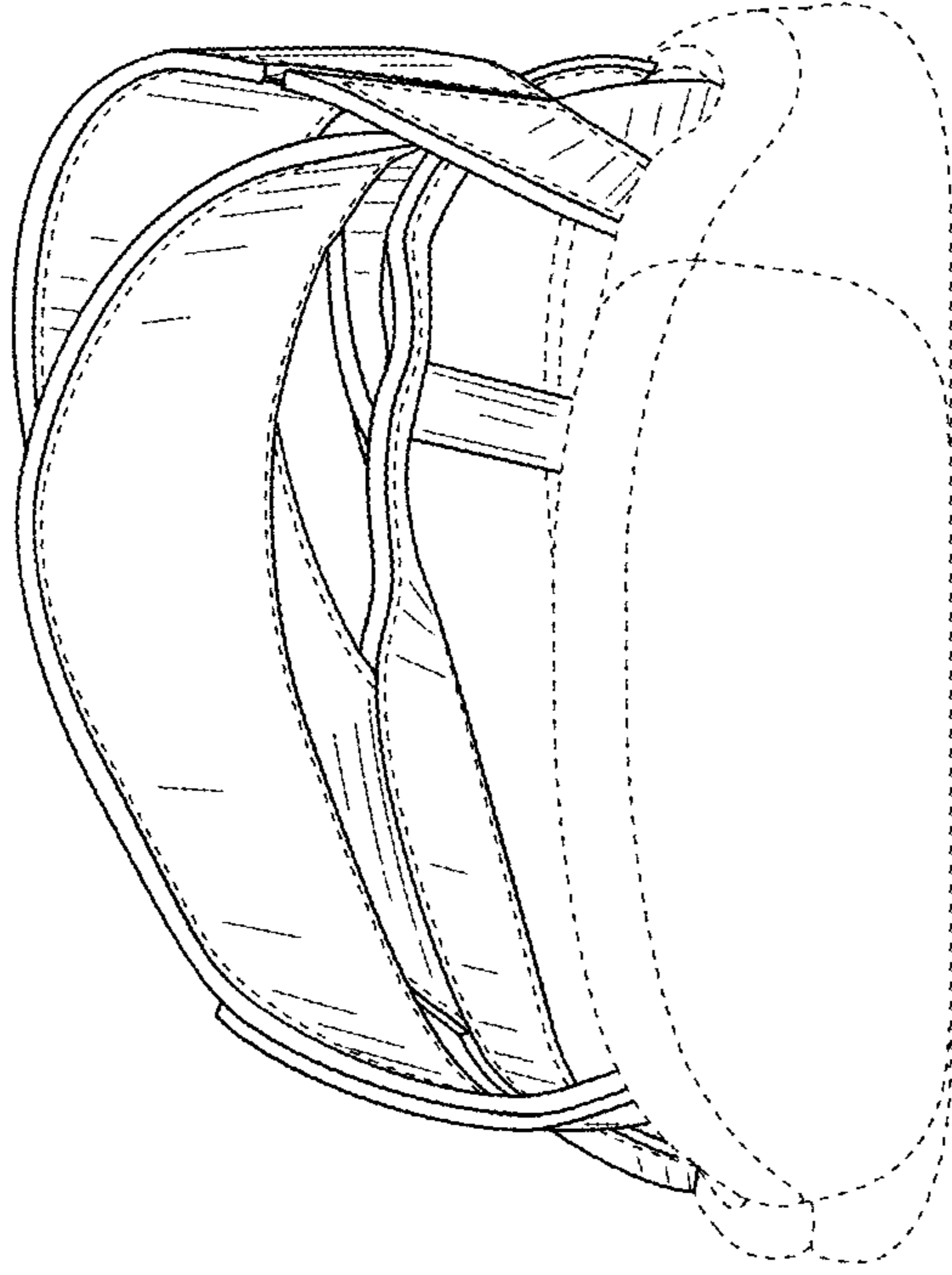


FIG. 5

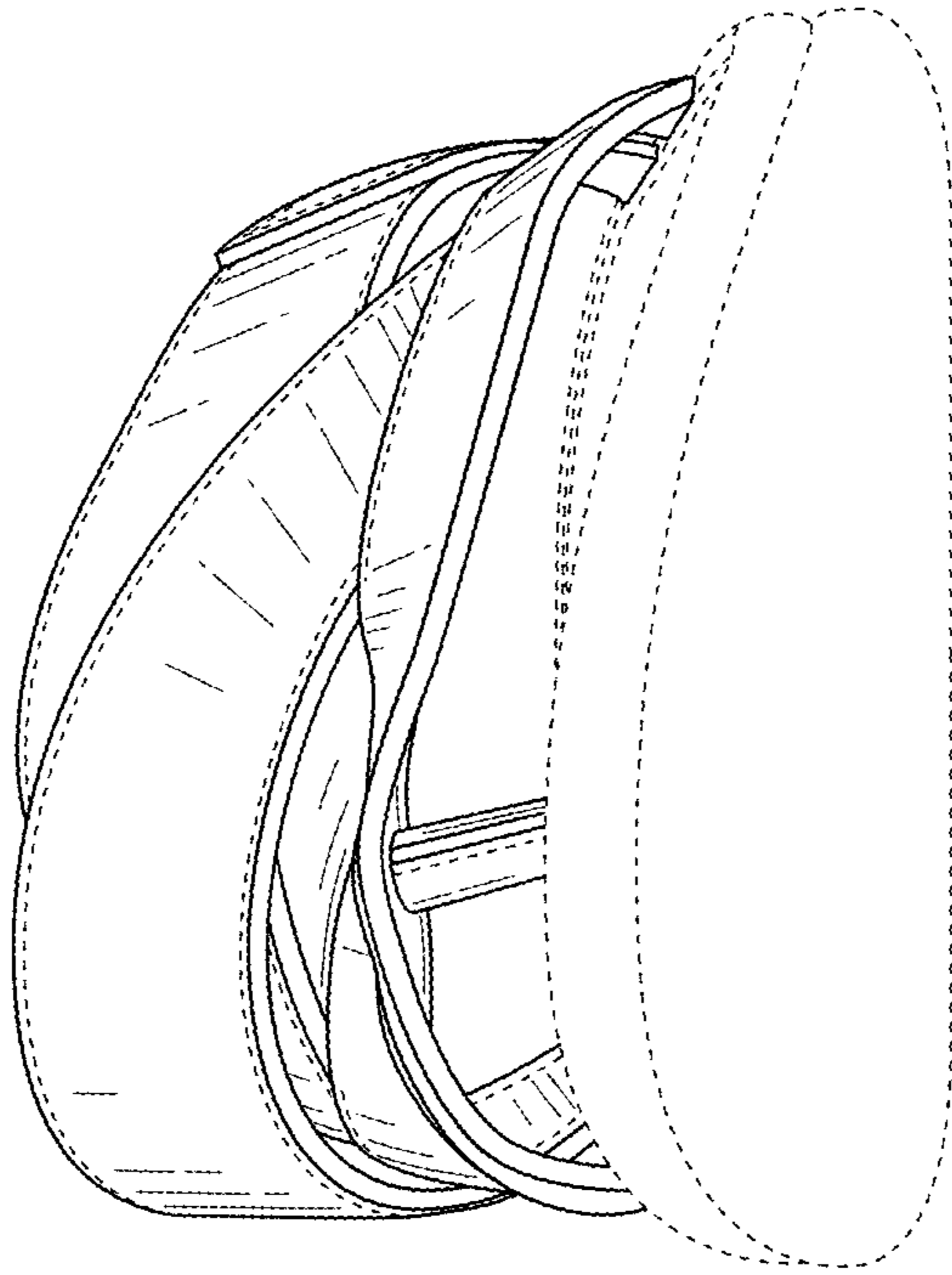


FIG. 6