



US00D814769S

(12) **United States Design Patent**  
**McClaskie**

(10) **Patent No.:** **US D814,769 S**  
(45) **Date of Patent:** **\*\* Apr. 10, 2018**

(54) **UPPER FOR A SHOE**

(71) Applicant: **Thomas E. McClaskie**, Bethlehem, PA  
(US)

(72) Inventor: **Thomas E. McClaskie**, Bethlehem, PA  
(US)

(\*\*) Term: **15 Years**

(21) Appl. No.: **29/570,346**

(22) Filed: **Jul. 7, 2016**

(51) **LOC (11) Cl.** ..... **02-99**

(52) **U.S. Cl.**  
USPC ..... **D2/971**

(58) **Field of Classification Search**  
USPC ..... D2/896, 900, 916-918, 925-942, 969,  
D2/971

CPC ..... A43B 21/00; A43B 21/02; A43B 21/06;  
A43B 9/14; A43B 1/0045; A43B 13/10;  
A43B 13/12; A43B 23/06; A43B 23/07;  
A43B 1/0036; A43B 3/248; A43B 9/02;  
A43B 13/122; A43B 13/14; A43B 5/12;  
A43B 3/108

See application file for complete search history.

(56) **References Cited**

**U.S. PATENT DOCUMENTS**

D149,684 S \* 5/1948 Sandler ..... D2/930  
D149,685 S \* 5/1948 Sandler ..... D2/935

D247,396 S \* 3/1978 Schlerth ..... D2/939  
D571,084 S \* 6/2008 Comeau ..... D2/925  
D571,548 S \* 6/2008 Seamans ..... D2/925  
D579,637 S \* 11/2008 Liow ..... D2/925  
D593,297 S \* 6/2009 Belley ..... D2/969  
D593,307 S \* 6/2009 Belley ..... D2/969  
D668,438 S \* 10/2012 Millieret ..... D2/925  
D668,850 S \* 10/2012 Pozzi ..... D2/925  
D730,030 S \* 5/2015 Della Valle ..... D2/939  
D741,581 S \* 10/2015 Del Biondi ..... D2/939  
D768,366 S \* 10/2016 Hawthornthwaite ..... D2/939

\* cited by examiner

*Primary Examiner* — Dominic Simone

(57) **CLAIM**

The ornamental design for an upper for a shoe, as shown and described.

**DESCRIPTION**

FIG. 1 is a perspective view of an upper for a shoe in accordance with my new design;  
FIG. 2 is a top view thereof;  
FIG. 3 is a right view thereof;  
FIG. 4 is a left view thereof;  
FIG. 5 is a front view thereof; and,  
FIG. 6 is a rear view thereof.

The broken lines shown in all of the figures are for environmental purposes and form no part of the claim.

**1 Claim, 5 Drawing Sheets**



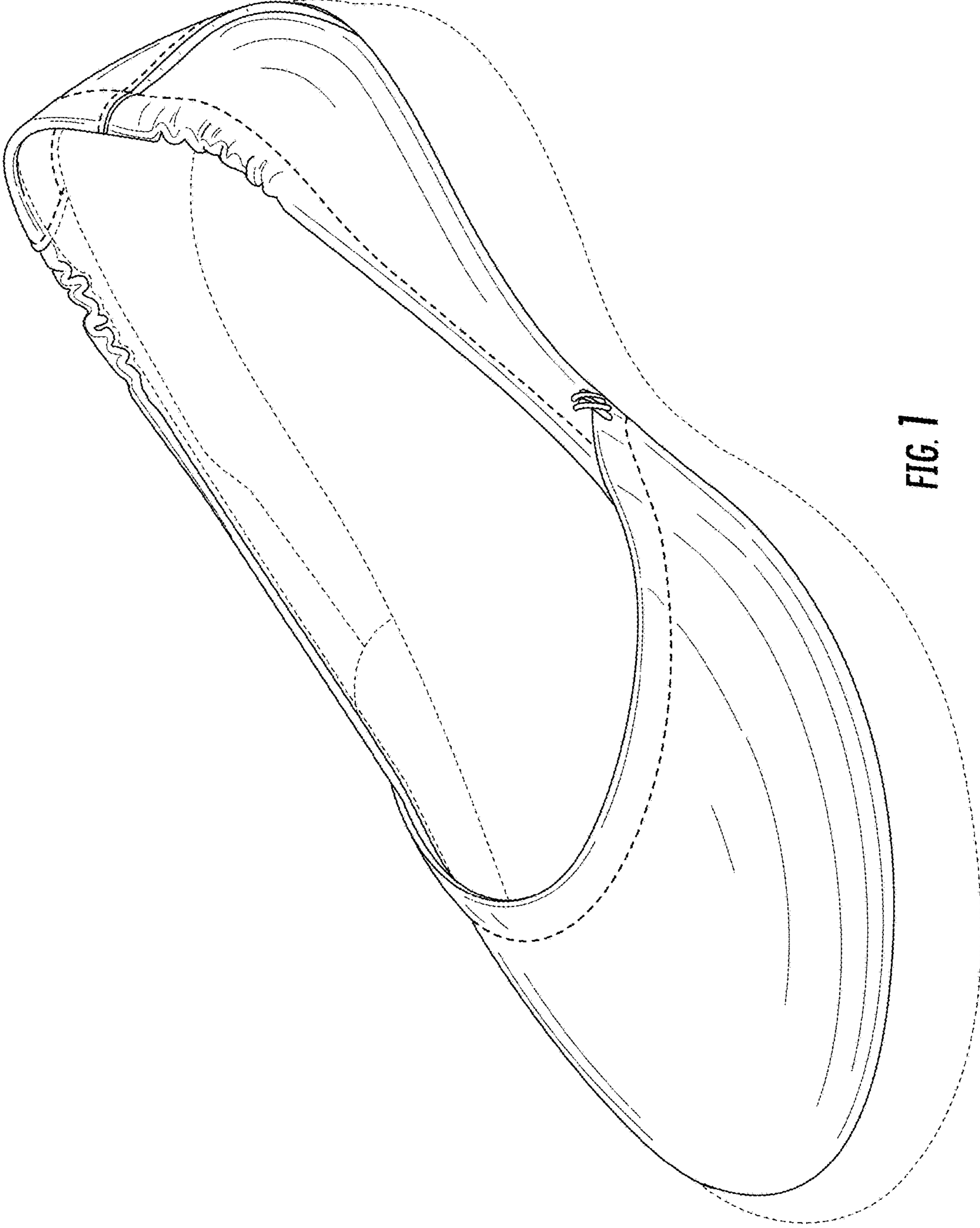
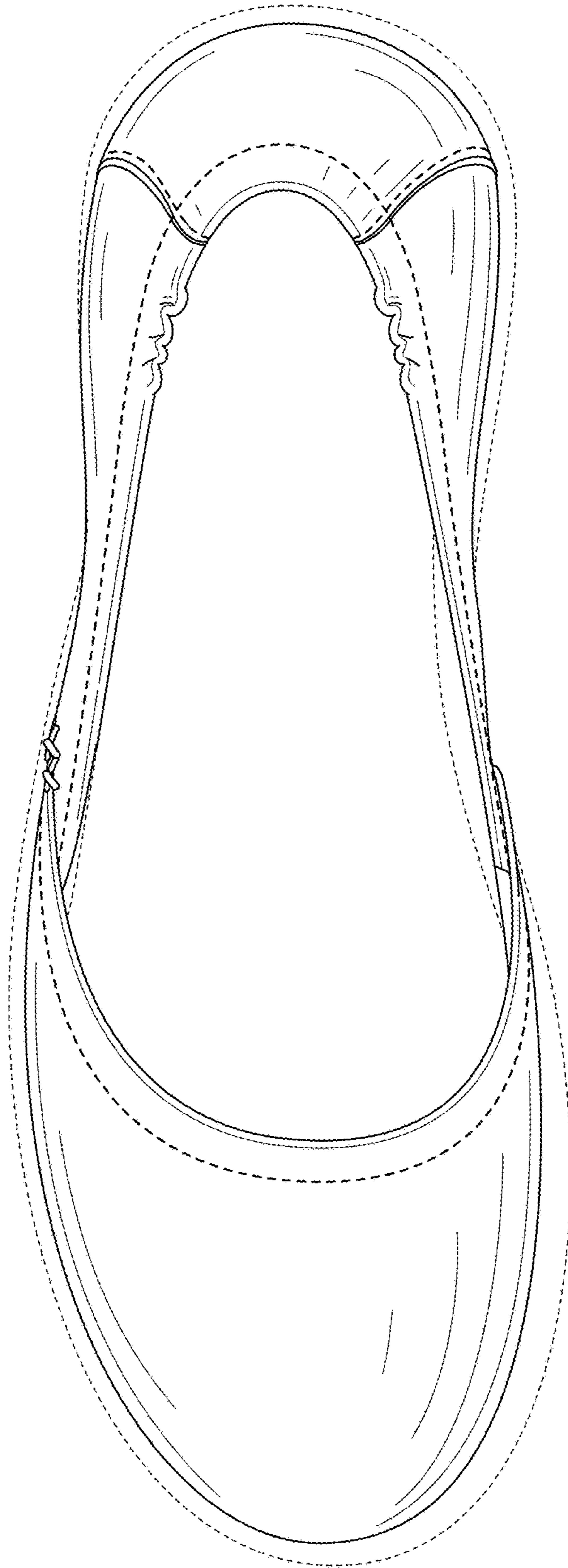


FIG. 1



**FIG. 2**

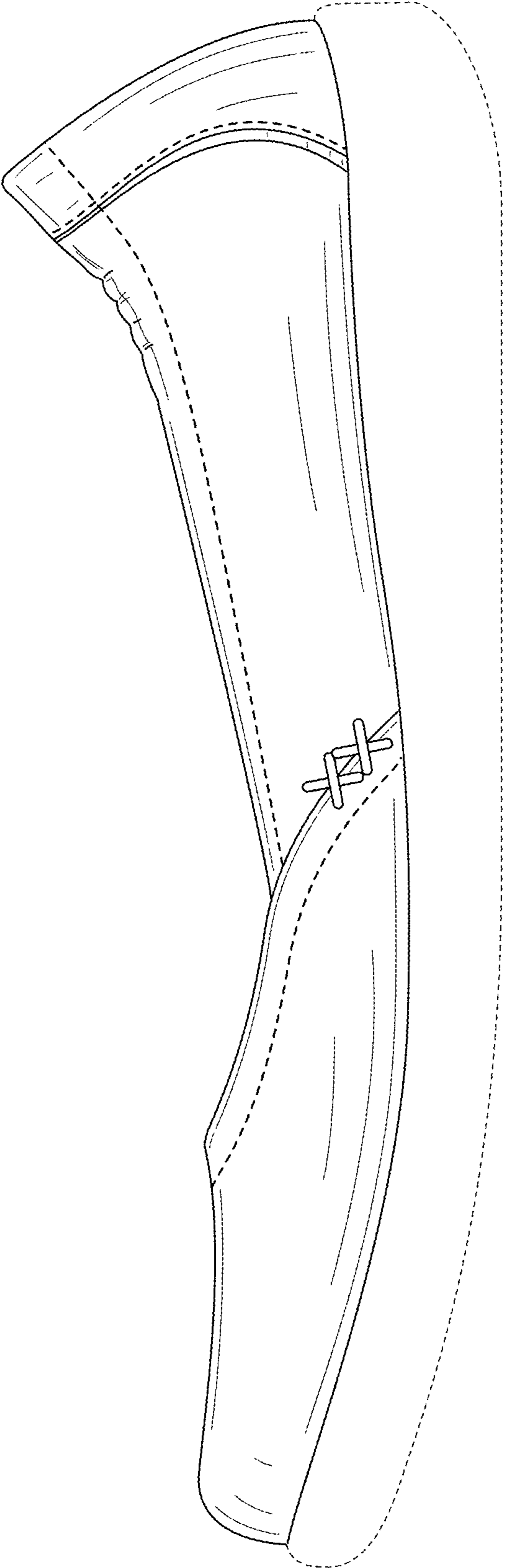


FIG. 3

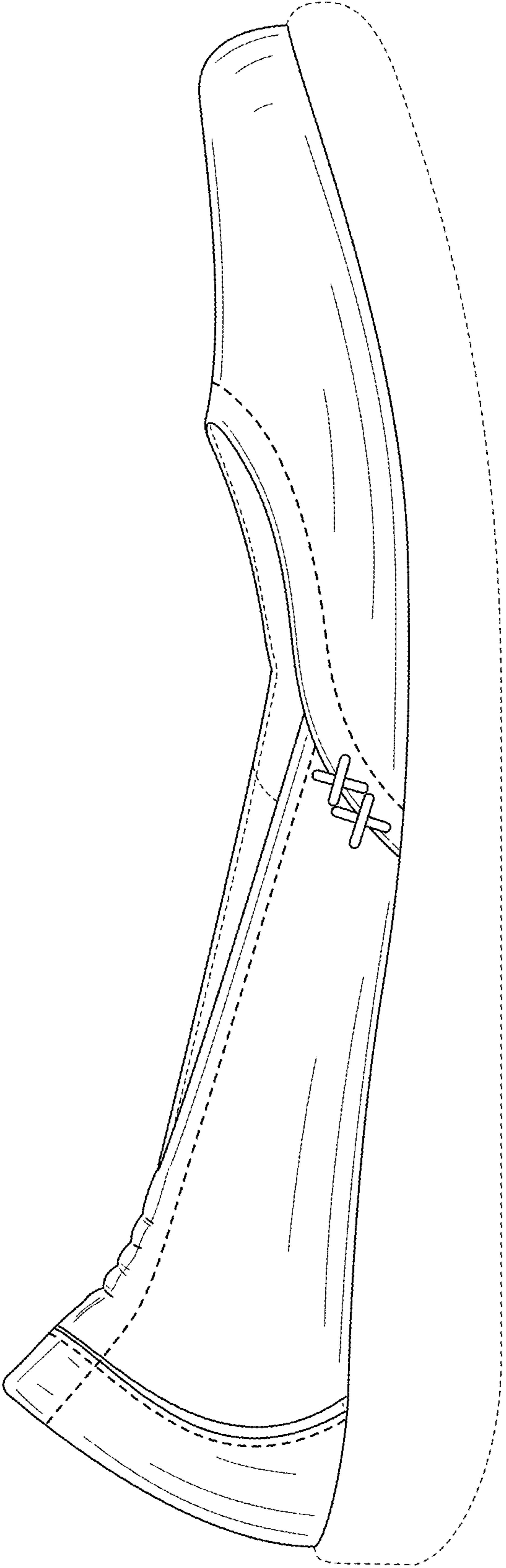
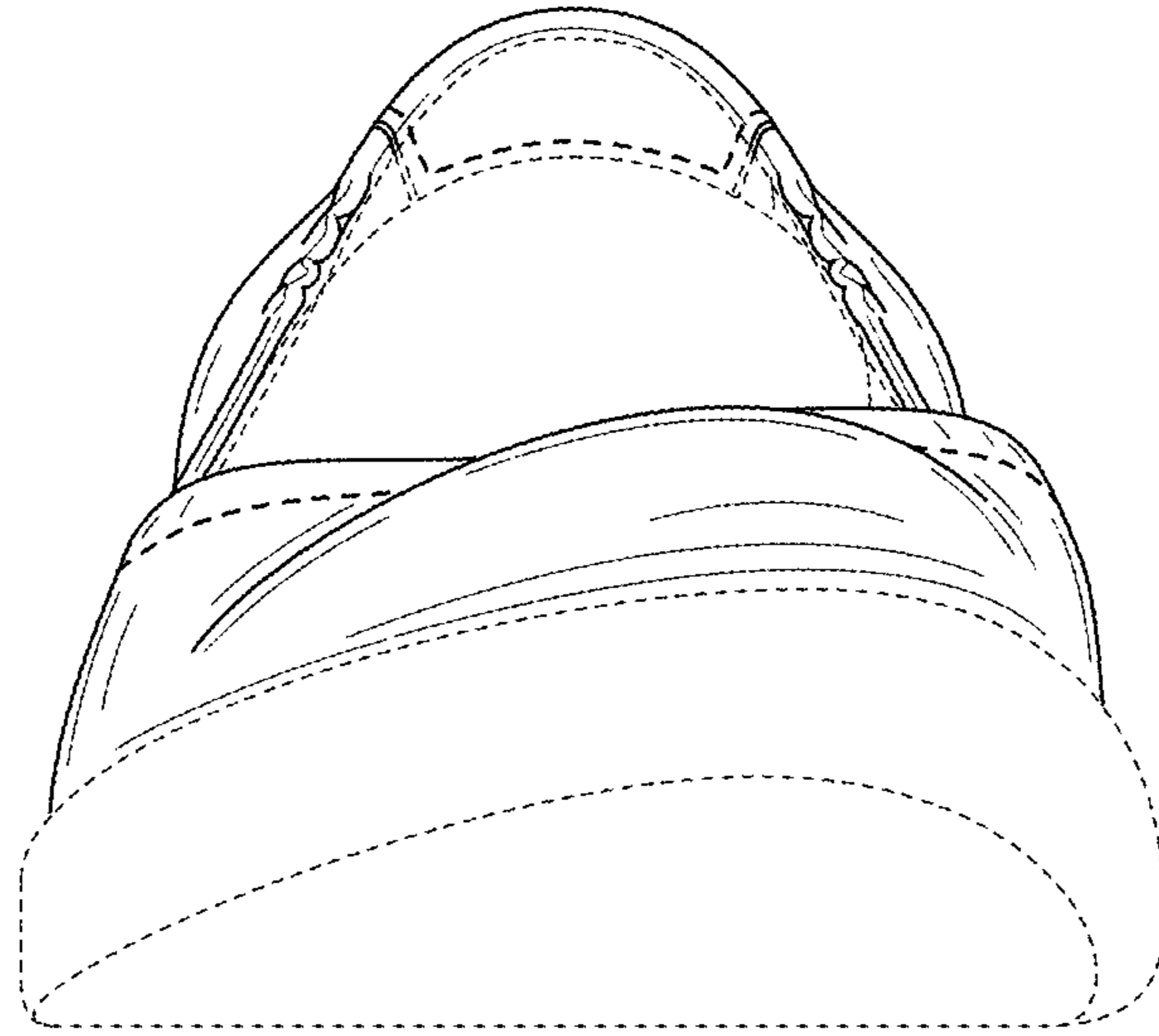
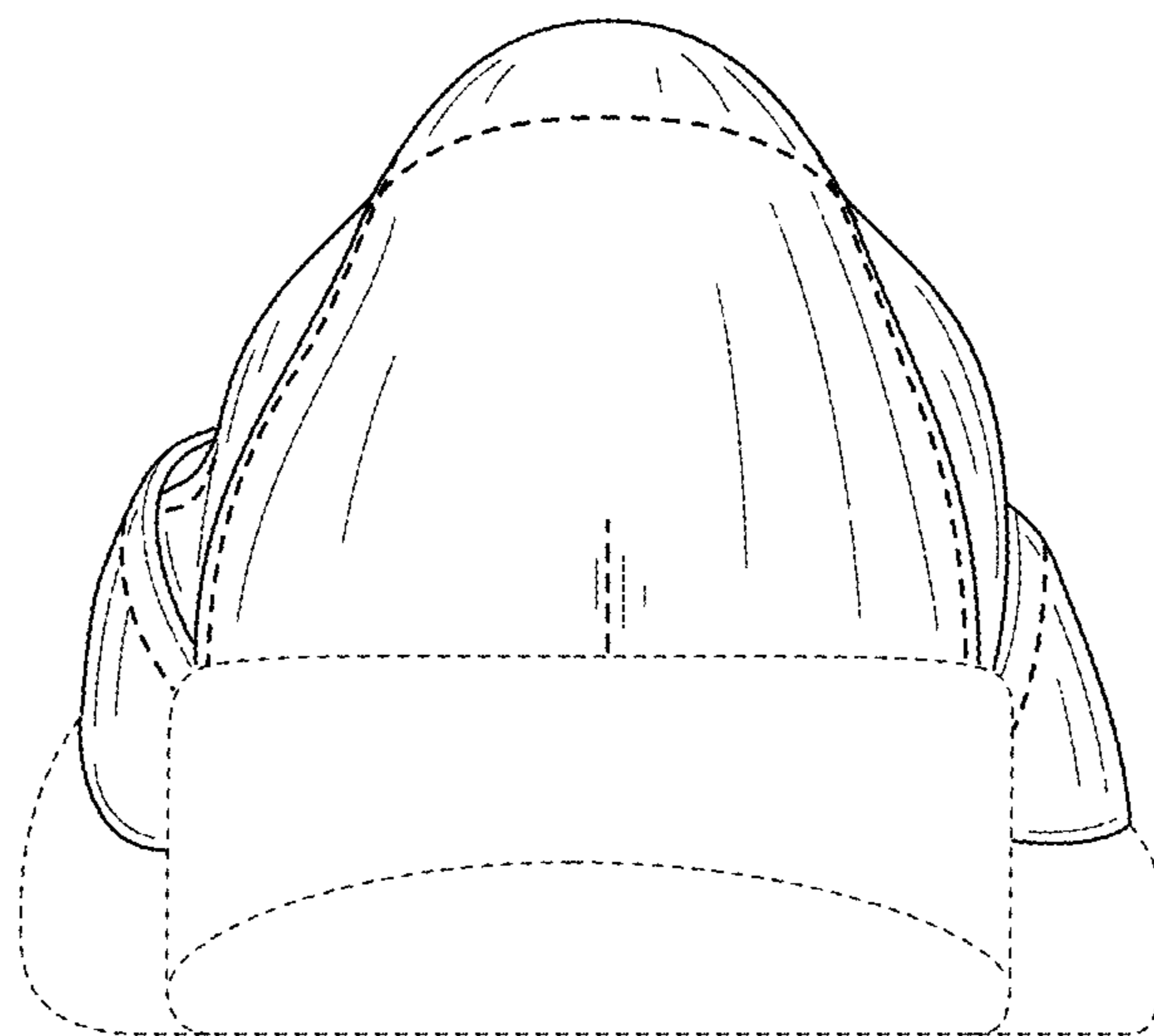


FIG. 4



**FIG. 5**



**FIG. 6**