



US00D814763S

(12) **United States Design Patent** (10) **Patent No.:** **US D814,763 S**
Issler (45) **Date of Patent:** **** Apr. 10, 2018**

(54) **UPPER FOR A SHOE**
(71) Applicant: **David C. Issler**, Andover, MA (US)
(72) Inventor: **David C. Issler**, Andover, MA (US)
(**) Term: **15 Years**

D495,855 S * 9/2004 Comeau D2/917
D577,182 S * 9/2008 Comeau D2/917
D613,049 S * 4/2010 Lawler D2/971

* cited by examiner

Primary Examiner — Dominic Simone

(21) Appl. No.: **29/570,200**
(22) Filed: **Jul. 6, 2016**
(51) **LOC (11) Cl.** **02-99**
(52) **U.S. Cl.**
USPC **D2/971**

(57) **CLAIM**

The ornamental design for an upper for a shoe, as shown and described.

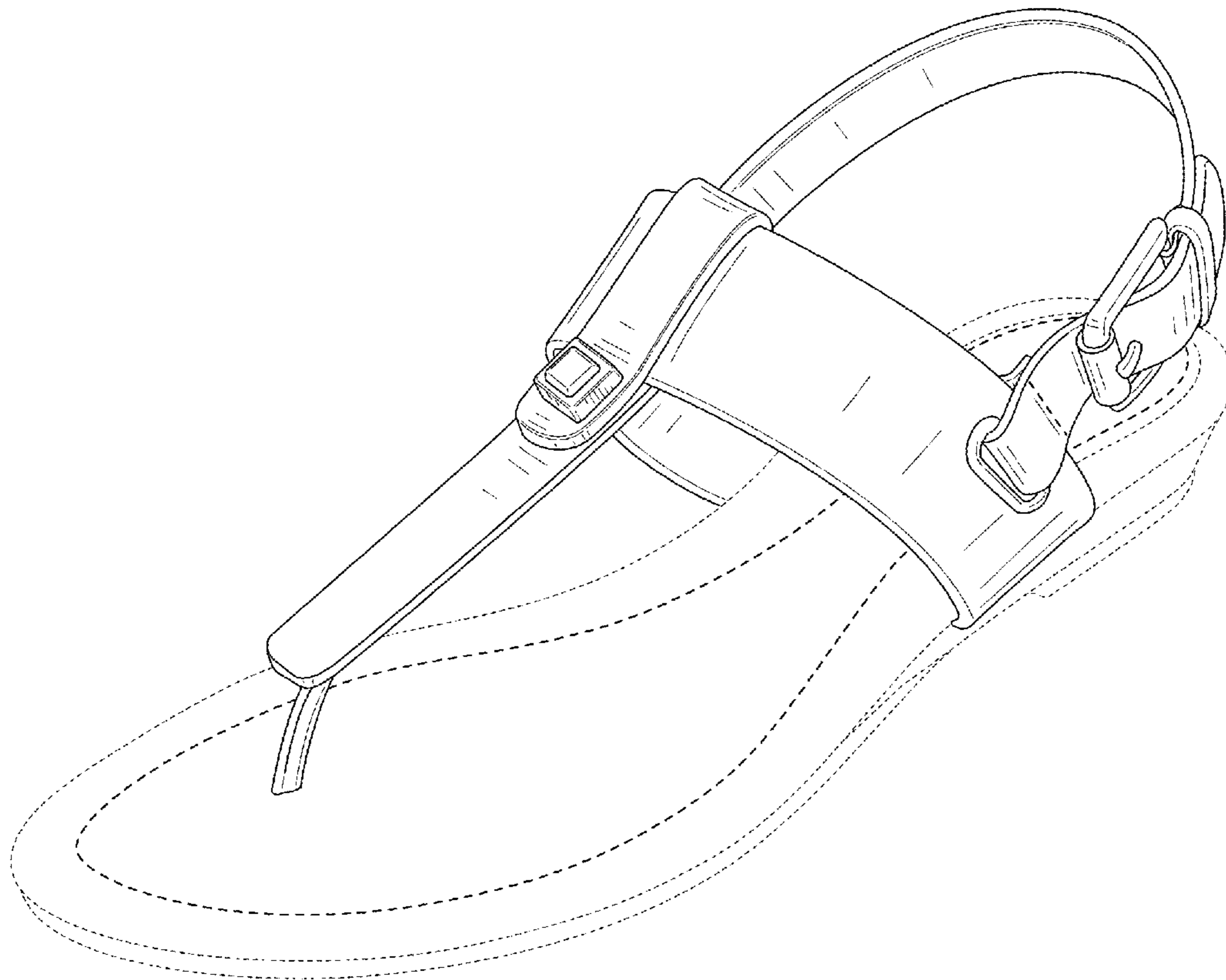
(58) **Field of Classification Search**
USPC D2/896, 900, 916–18, 925–942, 969, 971
CPC A43B 21/00; A43B 21/02; A43B 21/06;
A43B 9/14; A43B 1/0045; A43B 13/10;
A43B 13/12; A43B 23/06; A43B 23/07;
A43B 1/0036; A43B 5/12; A43B 3/248;
A43B 9/02; A43B 13/122; A43B 13/14;
A43B 3/108
See application file for complete search history.

DESCRIPTION

FIG. 1 is a perspective view of an upper for a shoe in accordance with my new design;
FIG. 2 is a top view thereof;
FIG. 3 is a right view thereof;
FIG. 4 is a left view thereof;
FIG. 5 is a front view thereof; and,
FIG. 6 is a rear view thereof.
The broken lines shown in all of the figures are for environmental purposes and form no part of the claim.

(56) **References Cited**
U.S. PATENT DOCUMENTS
736,194 A * 8/1903 Bassett A43B 3/126
D2/917
D92,201 S * 5/1934 Perugia D2/917

1 Claim, 5 Drawing Sheets



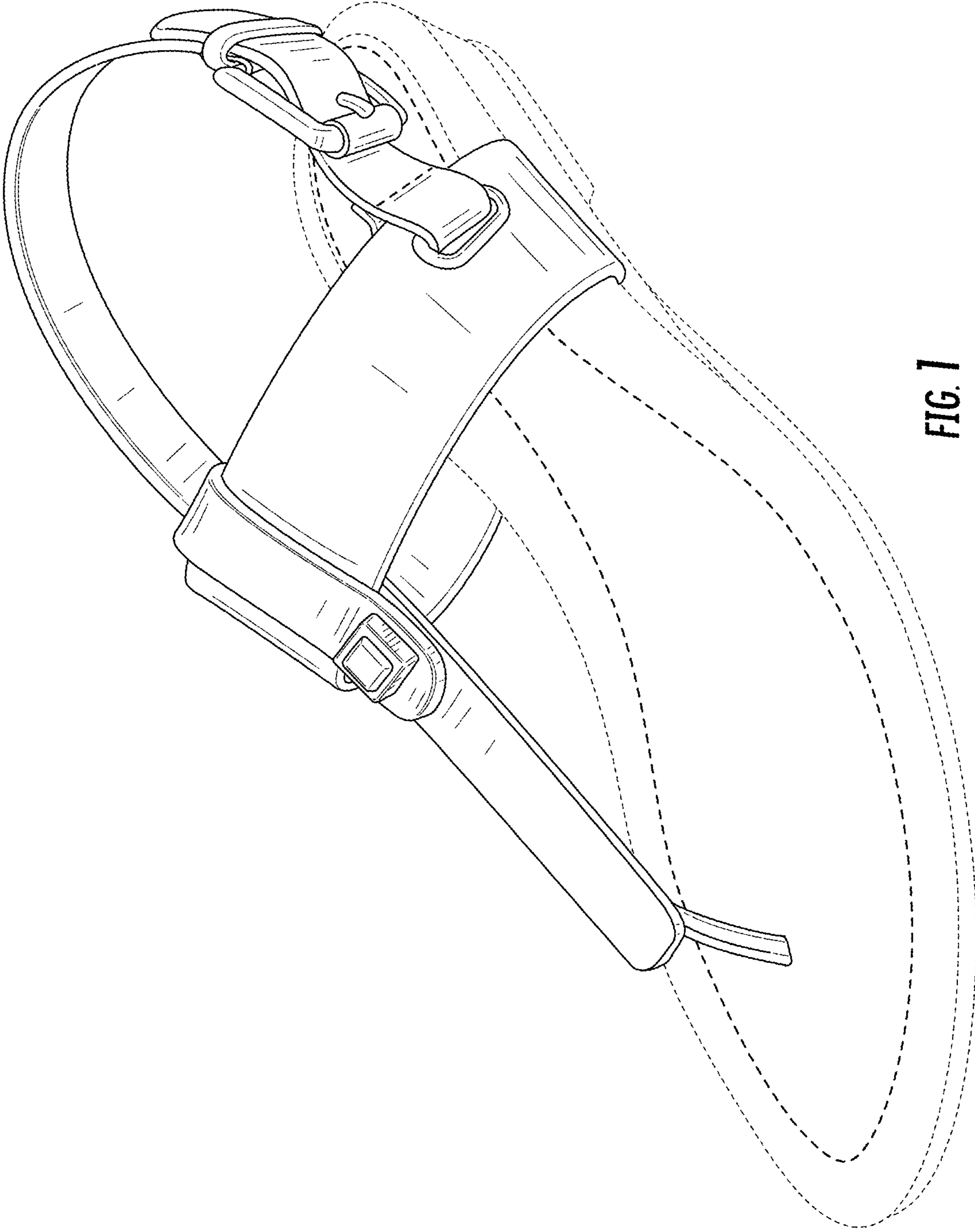


FIG. 1

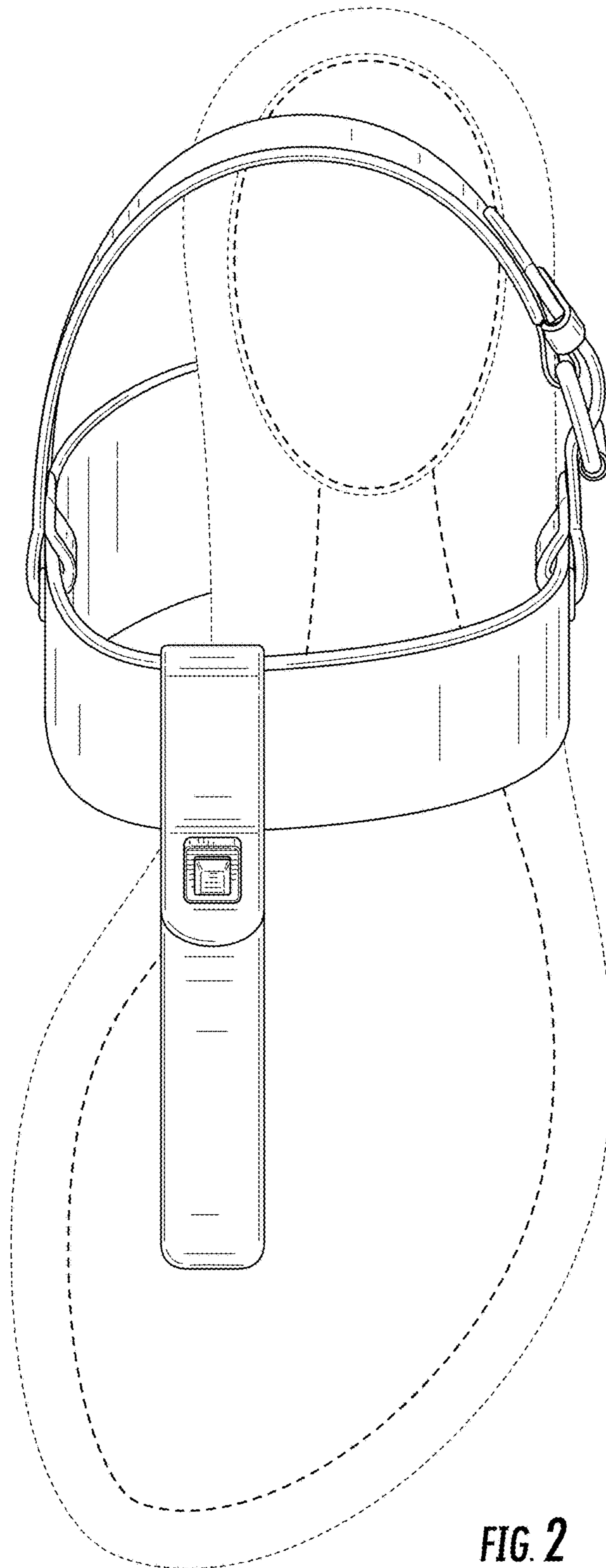


FIG. 2

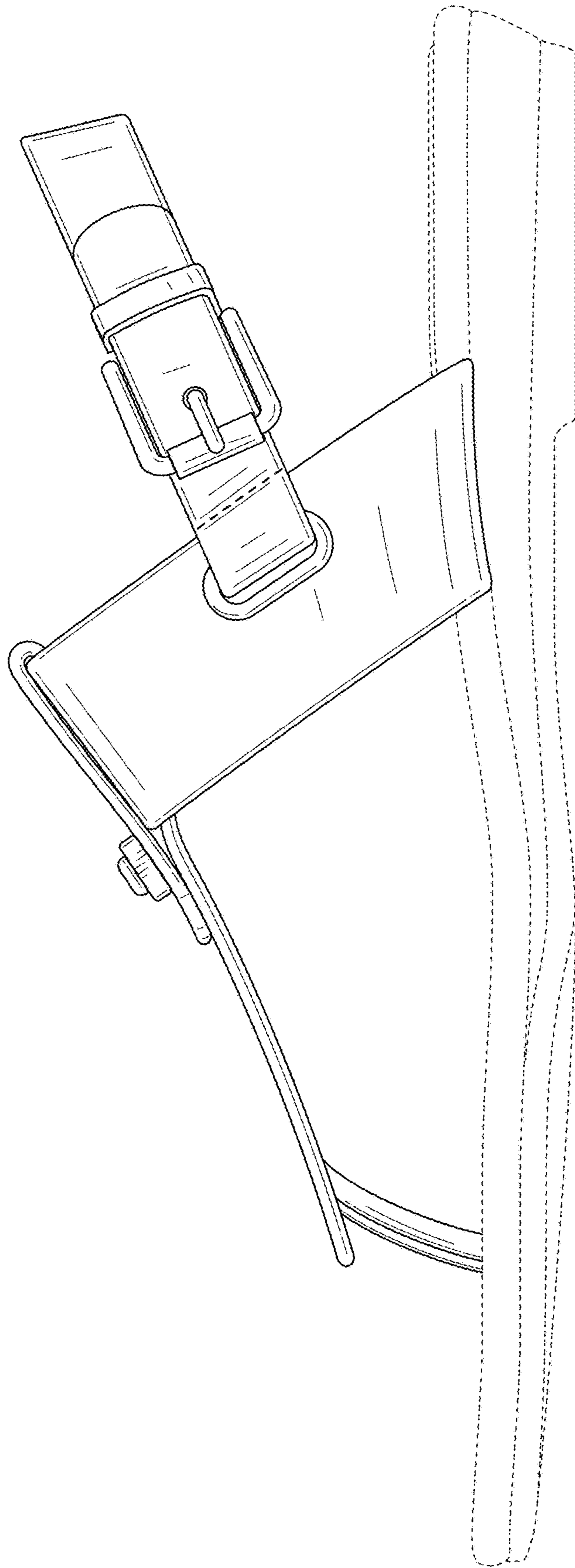


FIG. 3

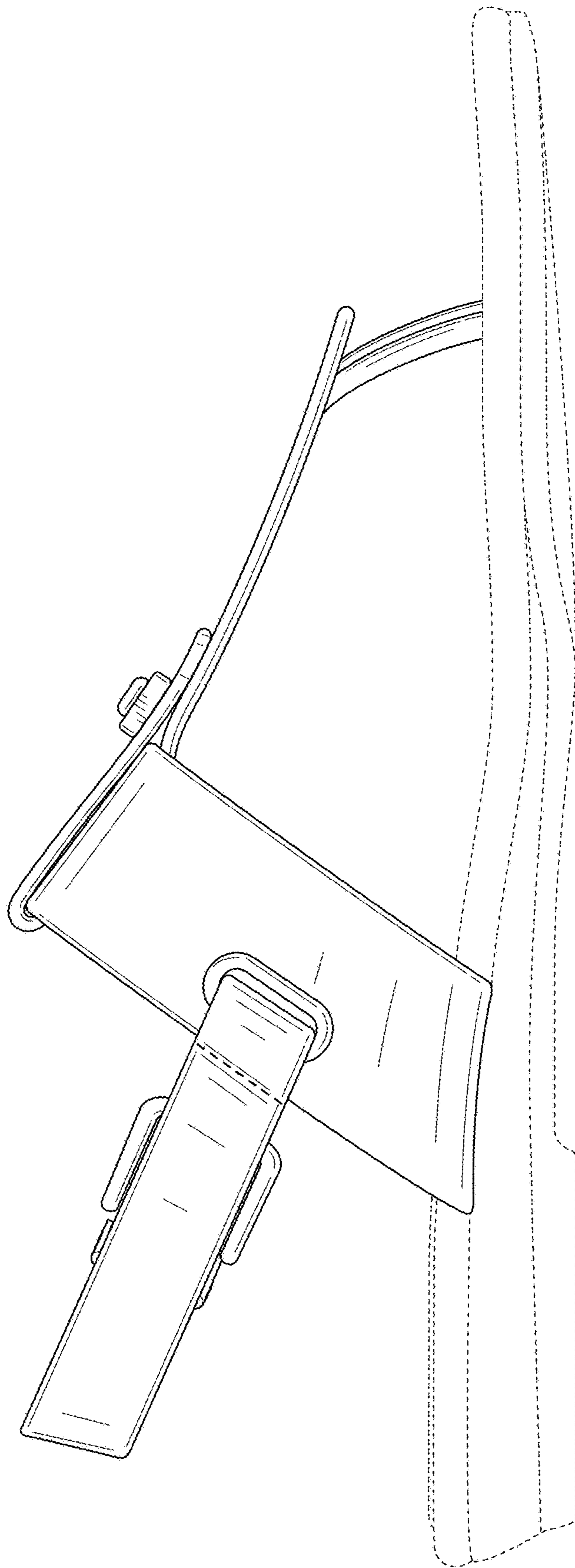


FIG. 4

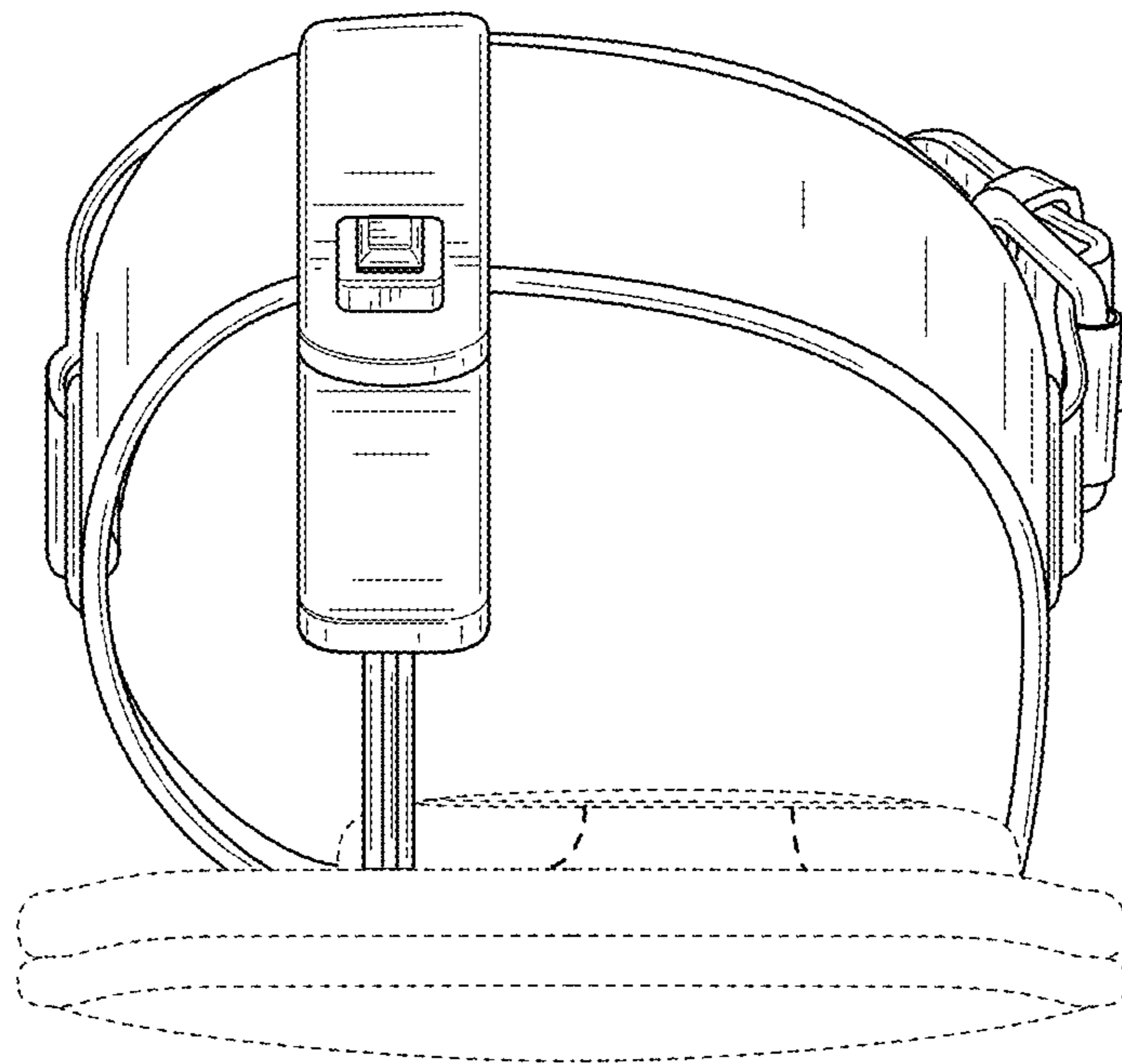


FIG. 5

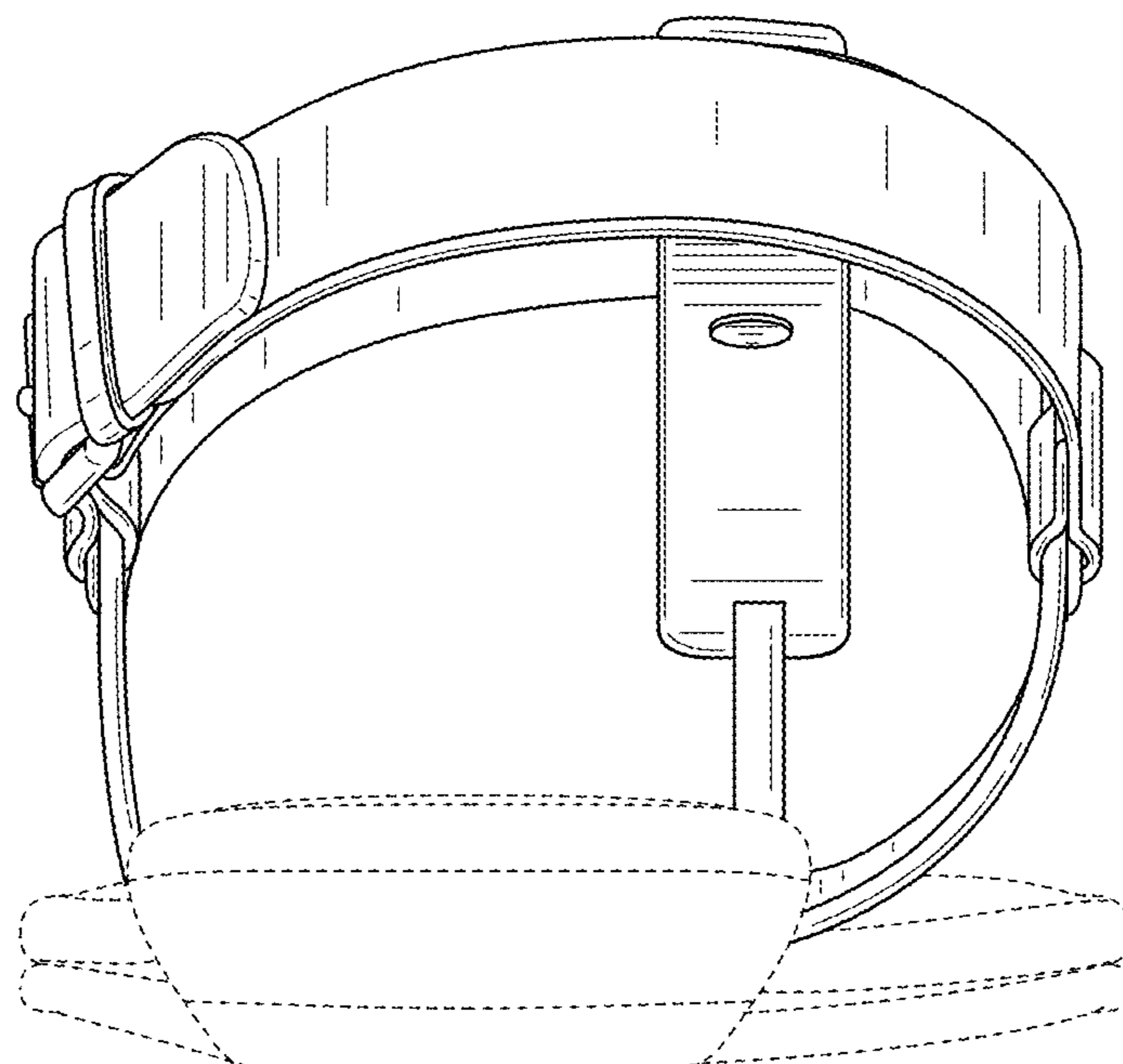


FIG. 6