



US00D814746S

(12) **United States Design Patent** (10) **Patent No.:** **US D814,746 S**  
**Harkey** (45) **Date of Patent:** **\*\* Apr. 10, 2018**

- (54) **GARMENT WITH HAND COVERINGS**
- (71) Applicant: **Naomi Harkey**, Summerfield, NC (US)
- (72) Inventor: **Naomi Harkey**, Summerfield, NC (US)
- (\*\*) Term: **15 Years**
- (21) Appl. No.: **29/606,773**
- (22) Filed: **Jun. 7, 2017**

**Related U.S. Application Data**

- (62) Division of application No. 29/545,274, filed on Nov. 11, 2015, now Pat. No. Des. 792,059.
- (51) **LOC (11) Cl.** ..... **02-02**
- (52) **U.S. Cl.**  
USPC ..... **D2/841**
- (58) **Field of Classification Search**  
USPC ..... D2/728, 840, 841, 847, 700, 717, 718,  
D2/750, 749, 755; 2/113, 115, 275, 69  
CPC ... A41D 1/14; A41D 1/04; A41D 1/00; A41D  
27/20; A41B 9/08; A61F 5/37; B64D  
10/00; A47G 25/904; B60N 2/265  
See application file for complete search history.

(56) **References Cited**

**U.S. PATENT DOCUMENTS**

1,296,966	A *	3/1919	Kaufman	.....	A41D 27/10
					2/158
3,421,188	A *	1/1969	Rock	.....	A44B 18/00
					2/2.11
4,359,784	A	11/1982	Harrington	.....	2/269
4,756,027	A	7/1988	Buenos et al.	.....	2/123
4,860,386	A	8/1989	Martin	.....	2/243
5,153,938	A	10/1992	Epperson	.....	2/2.1
5,815,837	A *	10/1998	Christman	.....	A41D 19/0041
					2/123
D449,422	S	10/2001	Massie	.....	D2/614
7,377,410	B1	5/2008	Webb	.....	223/111

7,653,949	B2 *	2/2010	Kraus	.....	A41D 19/0041
					2/158
D616,626	S	5/2010	Gardella	.....	D2/622
D642,770	S	8/2011	Bengyak	.....	D2/840
D695,491	S	12/2013	Hawkins et al.	.....	D2/750
D745,254	S	12/2015	Foy et al.	.....	D2/841
D747,847	S	1/2016	Hayward	.....	D2/755
9,433,245	B2 *	9/2016	Elsmo	.....	A47G 9/066
D792,059	S *	7/2017	Harkey	.....	D2/841
D799,154	S *	10/2017	Carey	.....	D2/728
2003/0154536	A1 *	8/2003	Anderson	.....	A41D 3/02
					2/108
2006/0260019	A1	11/2006	Kraus et al.	.....	2/69
2010/0325776	A1	12/2010	Korver	.....	2/158
2013/0133122	A1 *	5/2013	LaFlamme	.....	A41D 1/04
					2/69
2013/0232658	A1	9/2013	Thomas	.....	2/69
2014/0132055	A1	5/2014	Jenkins	.....	22/105
2015/0181953	A1 *	7/2015	Brown	.....	A41D 11/00
					2/69

(Continued)

*Primary Examiner* — Susan Bennett Hattan  
*Assistant Examiner* — Rebecca Tsehaye  
(74) *Attorney, Agent, or Firm* — MacCord Mason PLLC

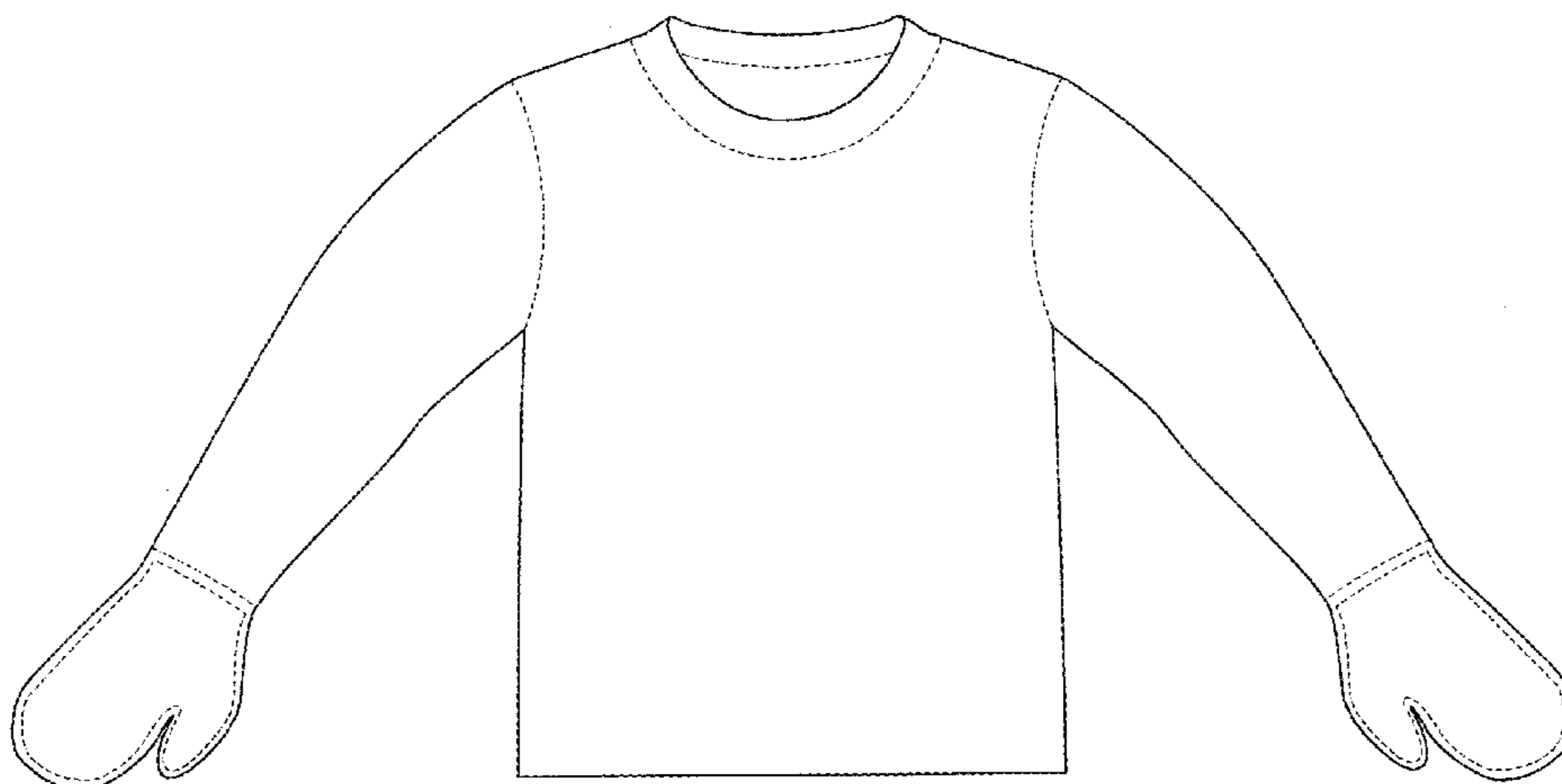
(57) **CLAIM**

I claim a garment with hand coverings, as shown and described.

**DESCRIPTION**

FIG. 1 is a front elevation view of a garment with hand coverings showing my new design;  
FIG. 2 is a back elevation view thereof;  
FIG. 3 is a back elevation view of a second embodiment of a garment with hand coverings showing my new design; and,  
FIG. 4 is a front elevation view a thereof.  
The broken lines shown in the drawings depict portions of the garment with hand coverings that form no part of the claimed design.

**1 Claim, 4 Drawing Sheets**



(56)

**References Cited**

U.S. PATENT DOCUMENTS

2016/0199684 A1 7/2016 Gottfried  
2016/0324231 A1\* 11/2016 Lenz ..... A41D 19/0041  
2016/0324236 A1 11/2016 Schrimpf ..... 27/205  
2016/0374415 A1\* 12/2016 Chang ..... A41D 15/00  
2/69  
2017/0231302 A1\* 8/2017 Rhodes ..... A41D 27/00  
2/69

\* cited by examiner

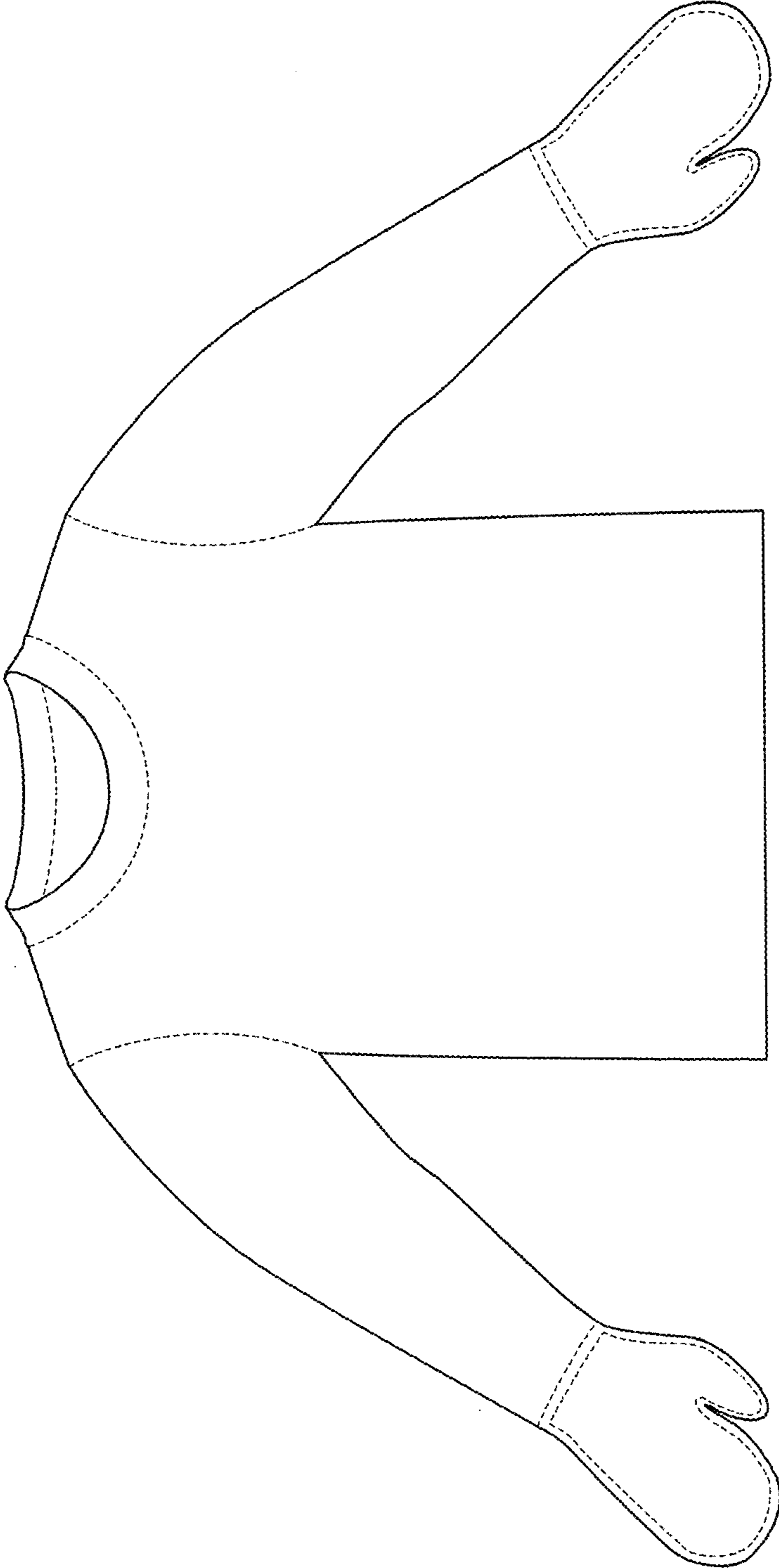


FIG. 1

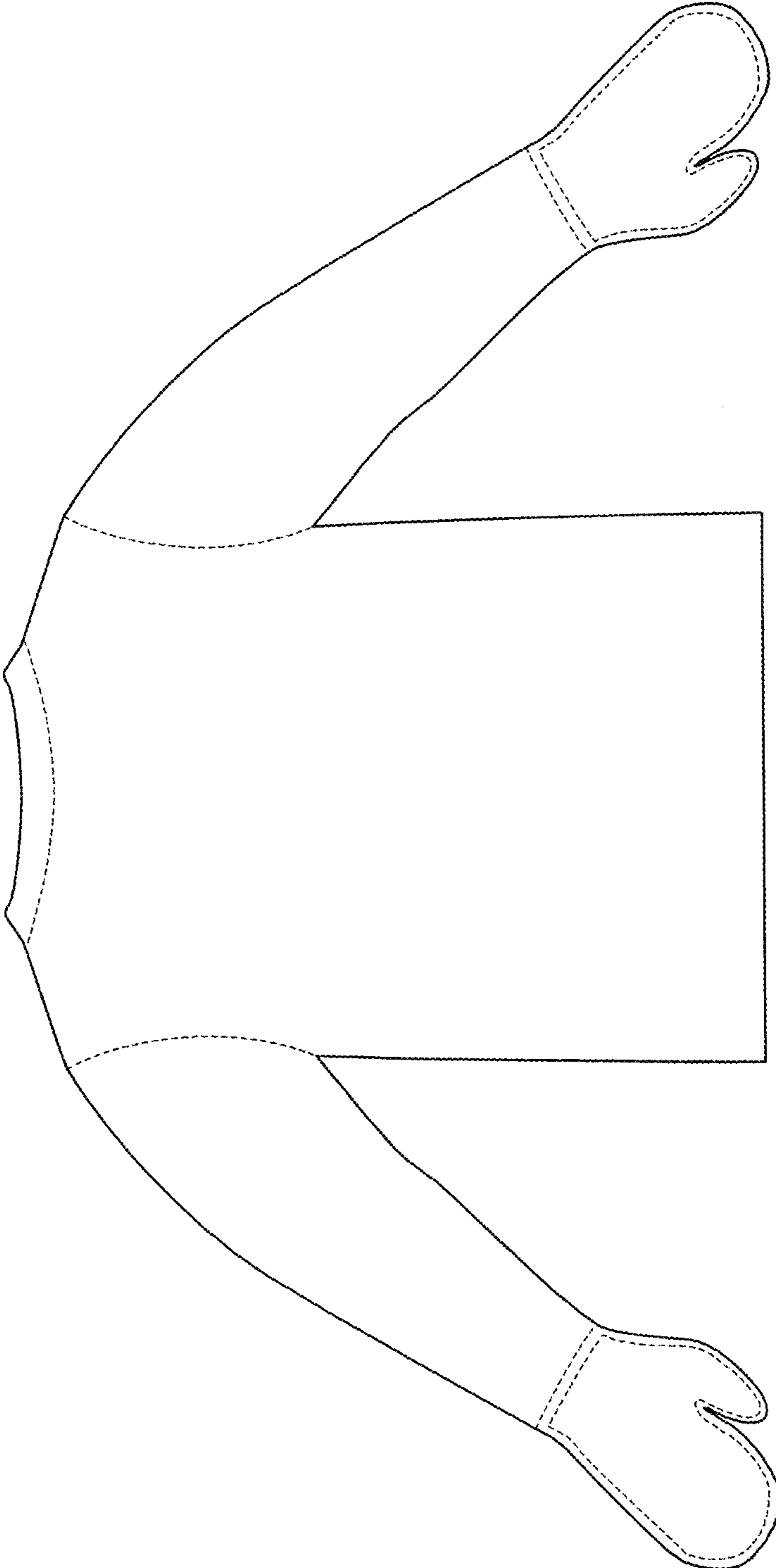


FIG. 2

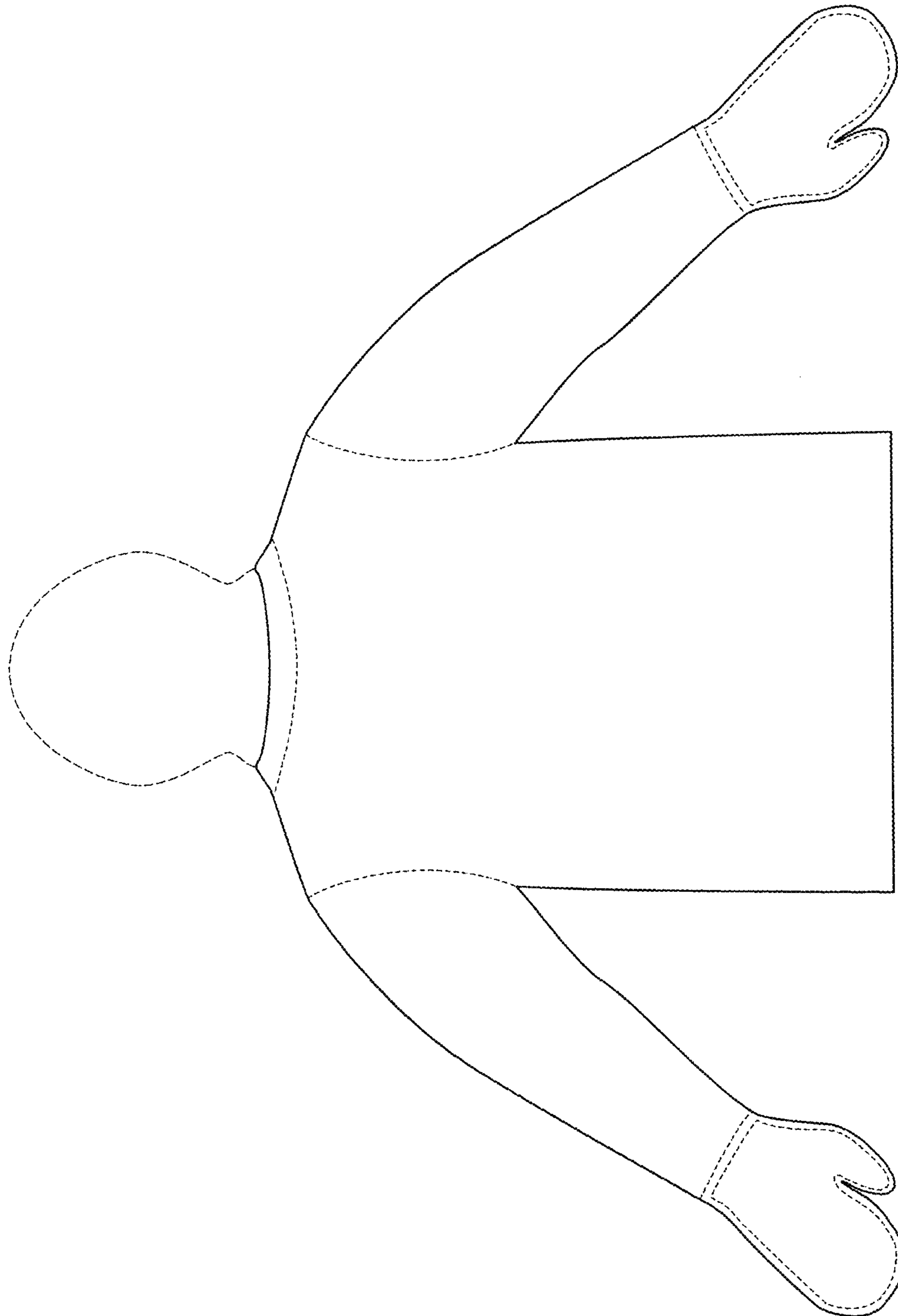


FIG. 3

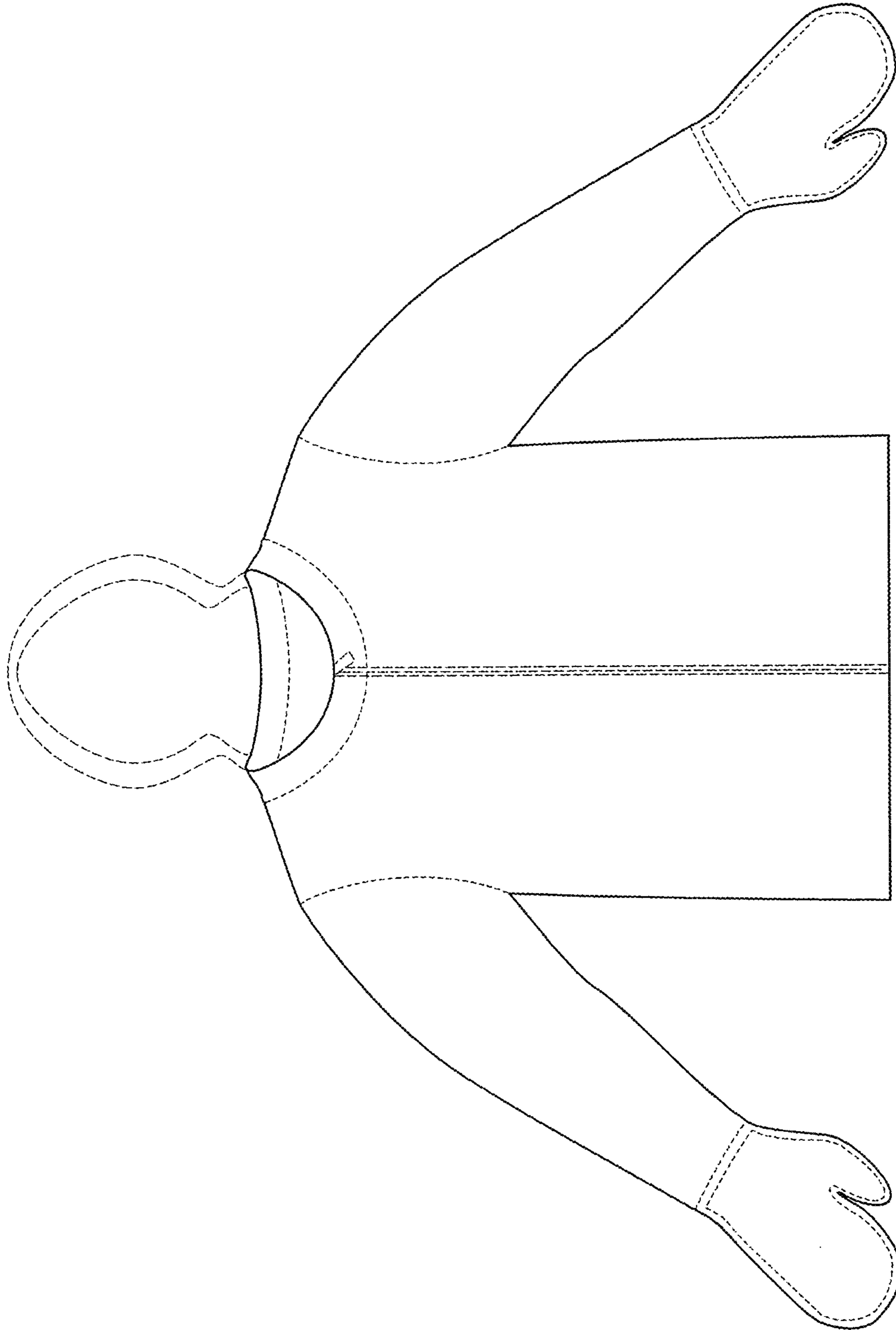


FIG. 4