



US00D814745S

(12) **United States Design Patent** (10) **Patent No.:** **US D814,745 S**
Darmour (45) **Date of Patent:** **** Apr. 10, 2018**

- (54) **GARMENT**
- (71) Applicant: **NIKE, Inc.**, Beaverton, OR (US)
- (72) Inventor: **Rob Darmour**, Portland, OR (US)
- (73) Assignee: **NIKE, Inc.**, Beaverton, OR (US)
- (**) Term: **15 Years**
- (21) Appl. No.: **29/571,678**
- (22) Filed: **Jul. 20, 2016**
- (51) **LOC (11) Cl.** **02-02**
- (52) **U.S. Cl.**
USPC **D2/828; D2/731**
- (58) **Field of Classification Search**
USPC D2/853, 728, 731, 716, 771, 791, 812,
D2/857, 759-760, 831, 828, 825; D3/285
CPC ... A41D 1/06; A41D 1/08; A41D 1/00; A41D
1/18; A41D 2300/50; A41D 2300/30;
A41D 2300/322; A41D 27/24; A41D
27/10; A41D 27/20; A41D 2600/104
See application file for complete search history.

D799,161 S * 10/2017 Crowe D2/828
D800,419 S * 10/2017 Ingram D2/728
D800,425 S * 10/2017 Schneider D2/828

(Continued)

Primary Examiner — Robin V Webster
Assistant Examiner — James C Thorn, Sr.
(74) *Attorney, Agent, or Firm* — Shook, Hardy and Bacon
L.L.P.

(57) **CLAIM**

The ornamental design for a garment, as shown and described.

DESCRIPTION

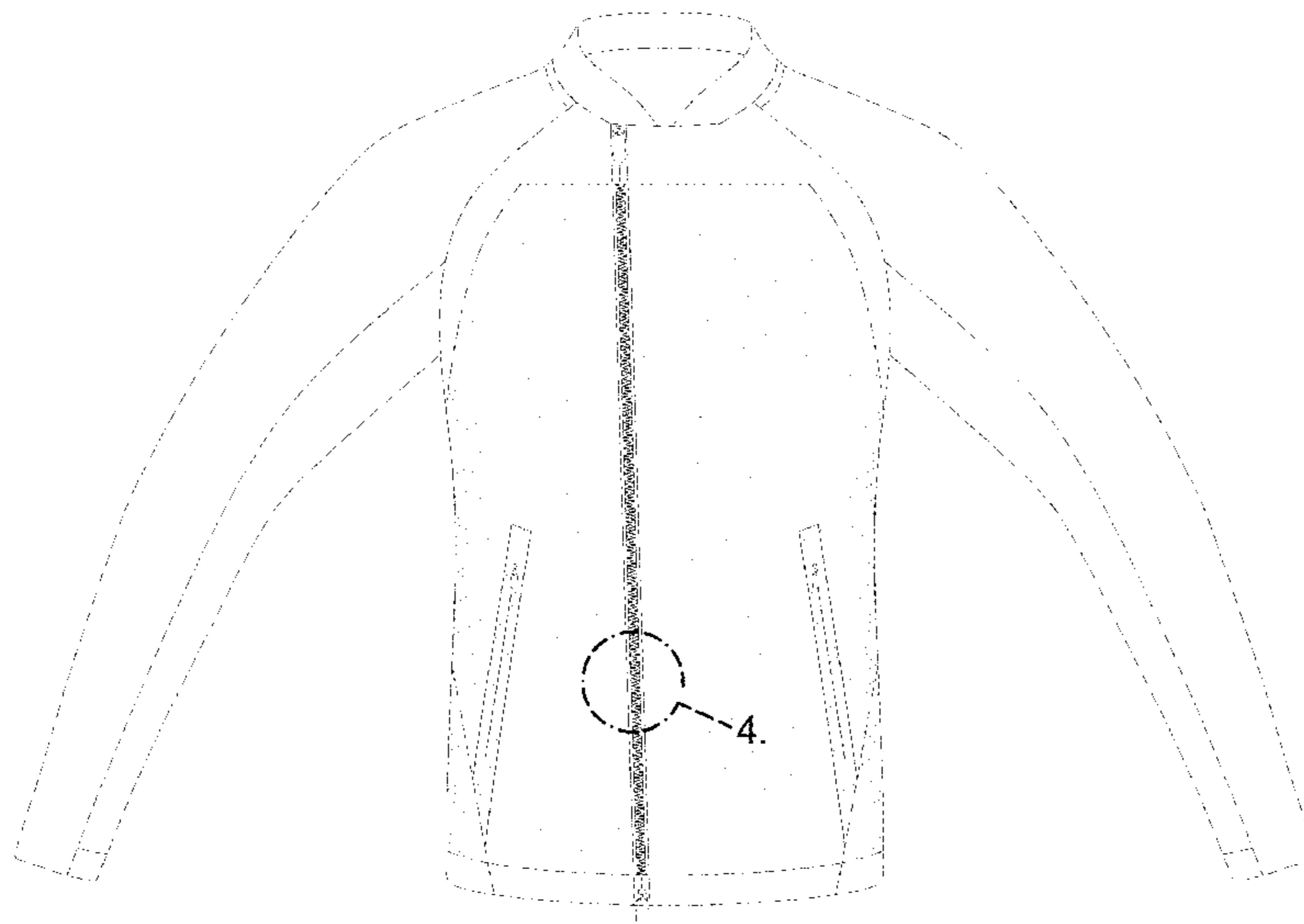
FIG. 1 is a front view of a garment that is in an in-use configuration showing the present design; FIG. 2 is a front view of the garment of FIG. 1, wherein the jacket is in a laid-flat configuration; and FIG. 3 is a back view of the garment of FIG. 2; and, FIG. 4 is a magnified view of the area indicated in FIG. 1. The broken lines with alternating dashes and dots, immediately adjacent to the shaded area, represent unclaimed boundaries of the design. The unshaded regions, demarcated by broken lines, represent unclaimed portions of the garment and form no part of the claimed design. The broken lines, which include even-length segments, that show the remainder of the garment or that are within the shaded area, are for environmental purposes only and form no part of the claimed design. The broken lines comprising an alternating pattern of two dashes separated by a dot are used to indicate the boundaries of a magnified view as shown in FIG. 4 and form no part of the claimed design. The contrast shading on the claimed portion is provided only to indicate the character and/or any contour or curvature of the surfaces. It does not indicate color, texture, markings that actually exist thereon, indicia, graphic representations, surface treatment, or any other ornamentation applied to the article.

1 Claim, 4 Drawing Sheets

(56) **References Cited**

U.S. PATENT DOCUMENTS

D294,305 S *	2/1988	Meek	2/94
D527,868 S *	9/2006	Wager	D2/828
D555,878 S *	11/2007	Bay	D2/828
D588,783 S *	3/2009	Olstorn	D2/828
D633,690 S *	3/2011	Tronvold	D2/828
D648,924 S *	11/2011	Propst	D2/828
D662,282 S *	6/2012	Meunier-Bouchard	D2/828
D679,072 S *	4/2013	Abbevik	D2/828
D714,525 S *	10/2014	Payne	D2/828
D749,821 S *	2/2016	McClora	D2/828
D755,478 S *	5/2016	Grosbol	D2/828
D757,397 S *	5/2016	Huang	D2/828
D758,697 S *	6/2016	Clark	D2/828
D784,658 S *	4/2017	Adrovic	D2/731



(56)

References Cited

U.S. PATENT DOCUMENTS

2013/0219581 A1* 8/2013 Schrimpf A41D 27/20
2/69
2016/0295950 A1* 10/2016 Schurr A42B 3/225

* cited by examiner

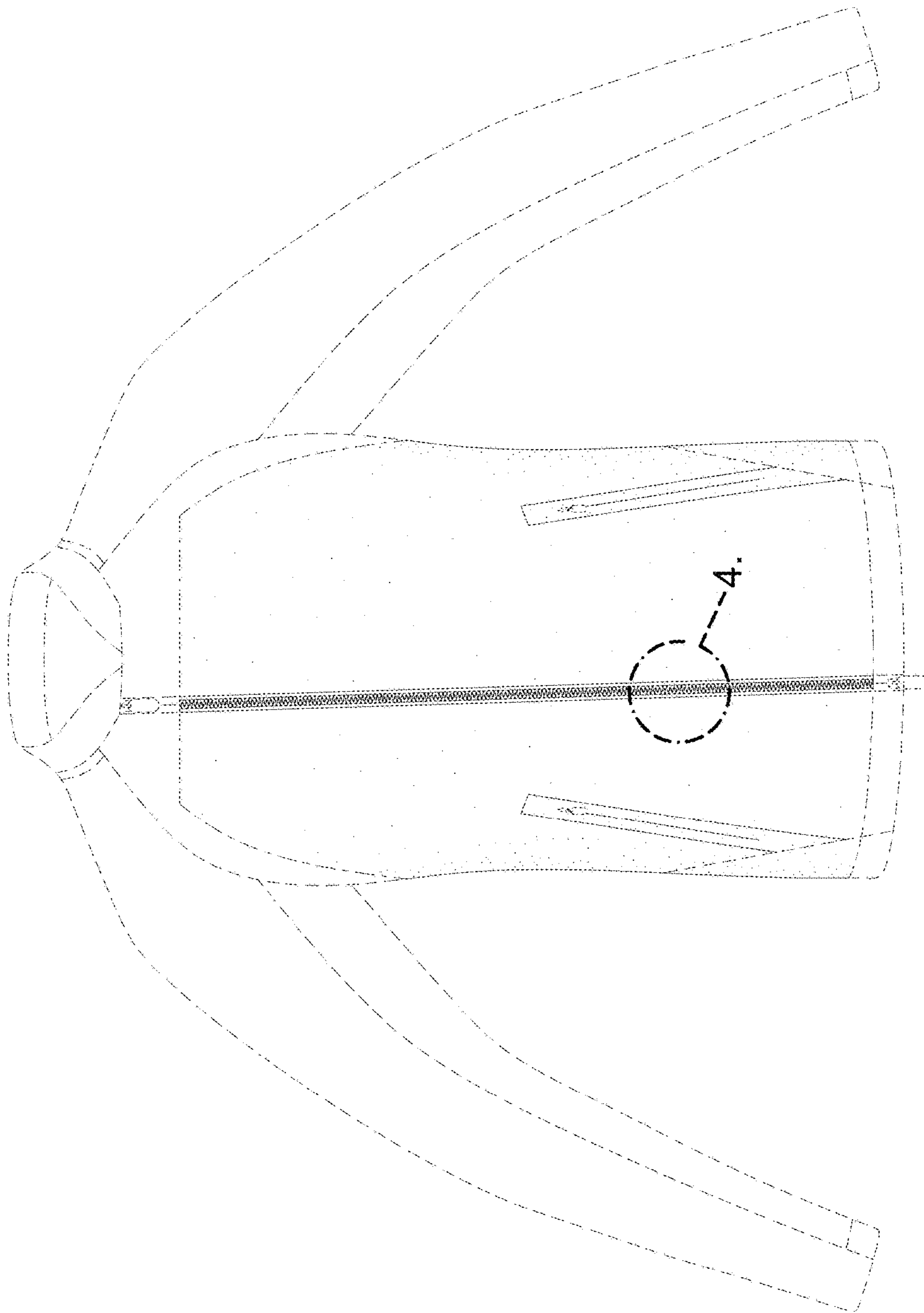


FIG. 1

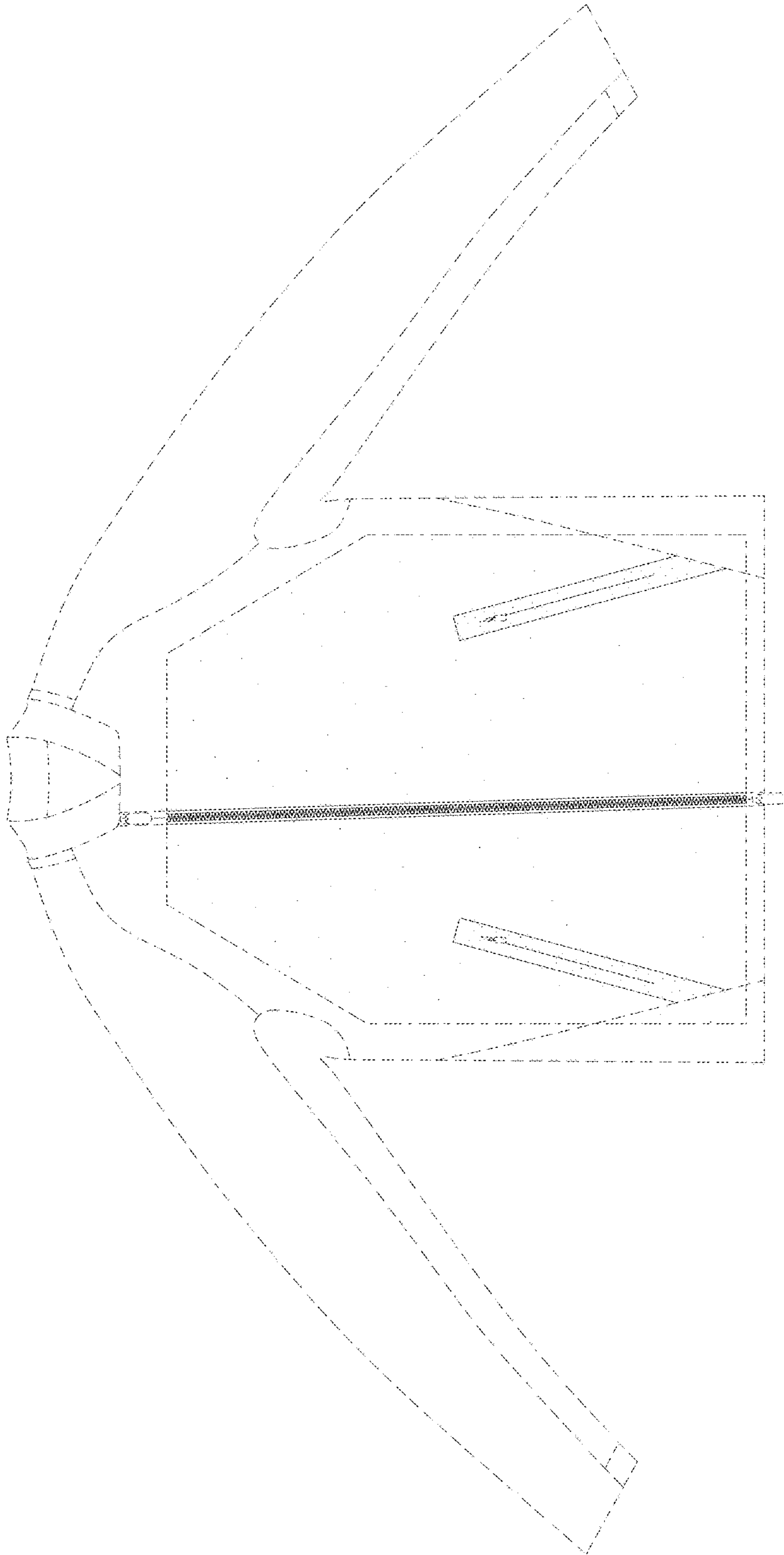


FIG. 2

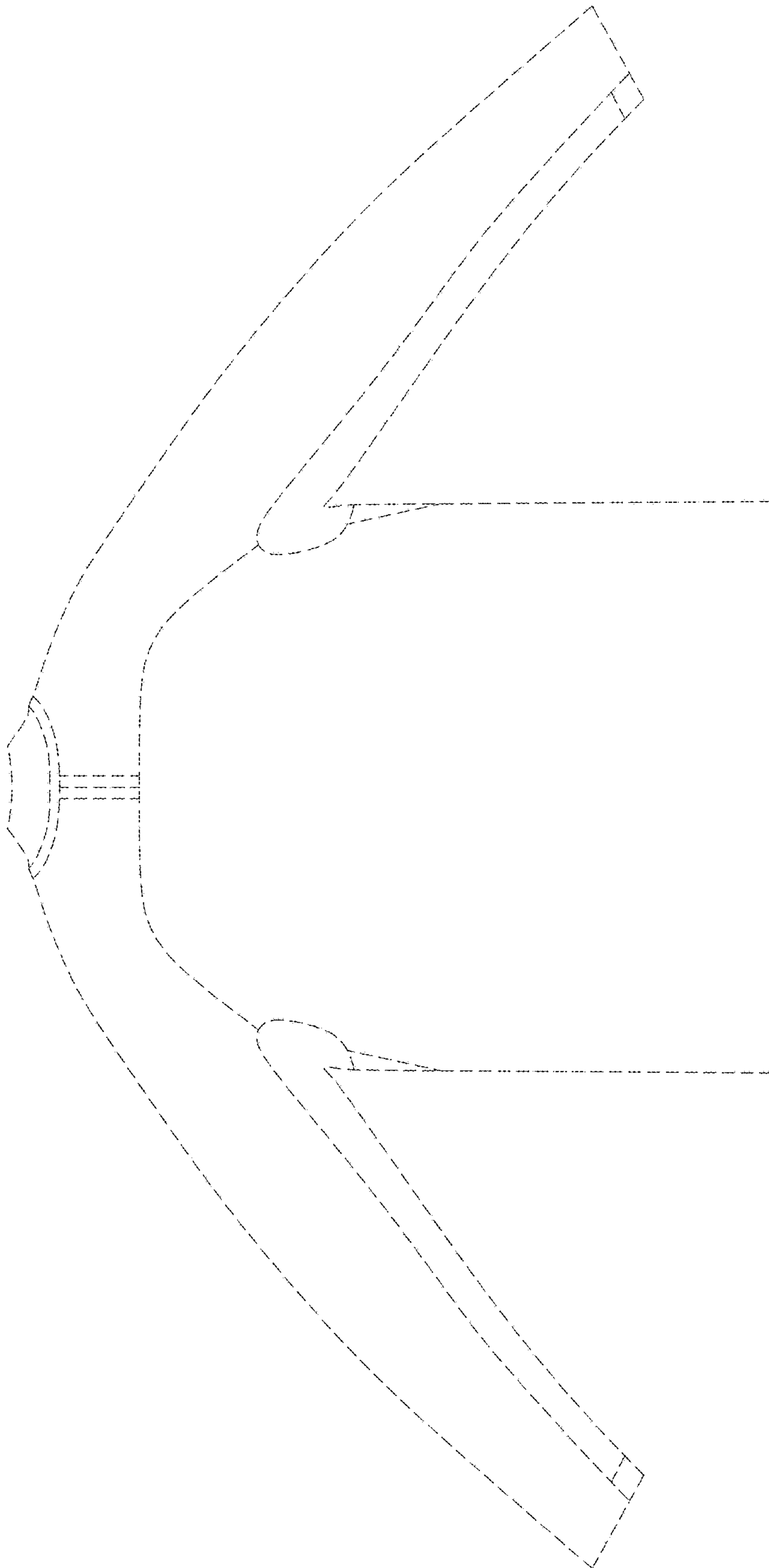


FIG. 3

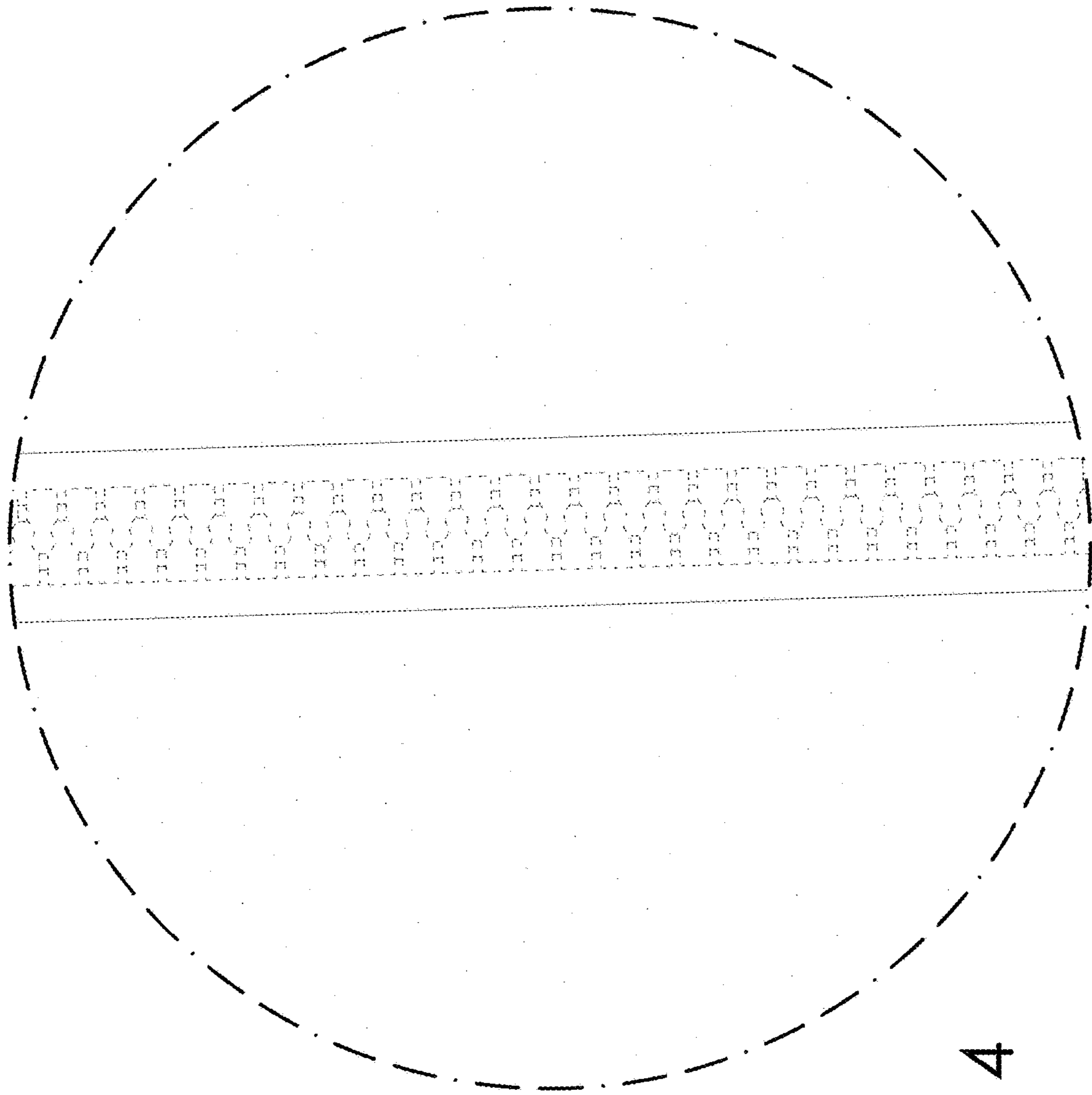


FIG. 4