



US00D814744S

(12) **United States Design Patent**
Ingram

(10) **Patent No.:** **US D814,744 S**

(45) **Date of Patent:** **** Apr. 10, 2018**

(54) **GARMENT**

(71) Applicant: **NIKE, Inc.**, Beaverton, OR (US)

(72) Inventor: **Jeffrey K. Ingram**, Portland, OR (US)

(73) Assignee: **NIKE, Inc.**, Beaverton, OR (US)

(**) Term: **15 Years**

(21) Appl. No.: **29/571,677**

(22) Filed: **Jul. 20, 2016**

(51) **LOC (11) Cl.** **02-02**

(52) **U.S. Cl.**

USPC **D2/828; D2/731**

(58) **Field of Classification Search**

USPC D2/853, 728, 731, 716, 771, 791, 812,
D2/857, 759-760, 831, 828, 825;
D3/285; D5/1, 34

CPC ... A41D 1/06; A41D 1/08; A41D 1/00; A41D
1/18; A41D 2300/50; A41D 2300/30;
A41D 2300/322; A41D 27/24; A41D
27/10; A41D 27/20; A41D 2600/104

See application file for complete search history.

(56) **References Cited**

U.S. PATENT DOCUMENTS

D259,746 S 7/1981 Dahlgard
D294,305 S * 2/1988 Meek 2/94
D506,303 S 6/2005 Rocha

(Continued)

OTHER PUBLICATIONS

Notice of Allowance dated Aug. 28, 2017 in Design U.S. Appl. No. 29/571,675, 11 pages.

Primary Examiner — Robin V Webster
Assistant Examiner — James C Thorn, Sr.

(74) *Attorney, Agent, or Firm* — Shook, Hardy and Bacon L.L.P.

(57) **CLAIM**

The ornamental design for a garment, as shown and described.

DESCRIPTION

FIG. 1 is a front, left perspective view of a garment that is in an in-use configuration showing a first embodiment of the present design;

FIG. 2 is a front view thereof;

FIG. 3 is a first side view thereof with a first sleeve of the garment in a raised position;

FIG. 4 is a second side view thereof with a second sleeve of the garment in a raised position;

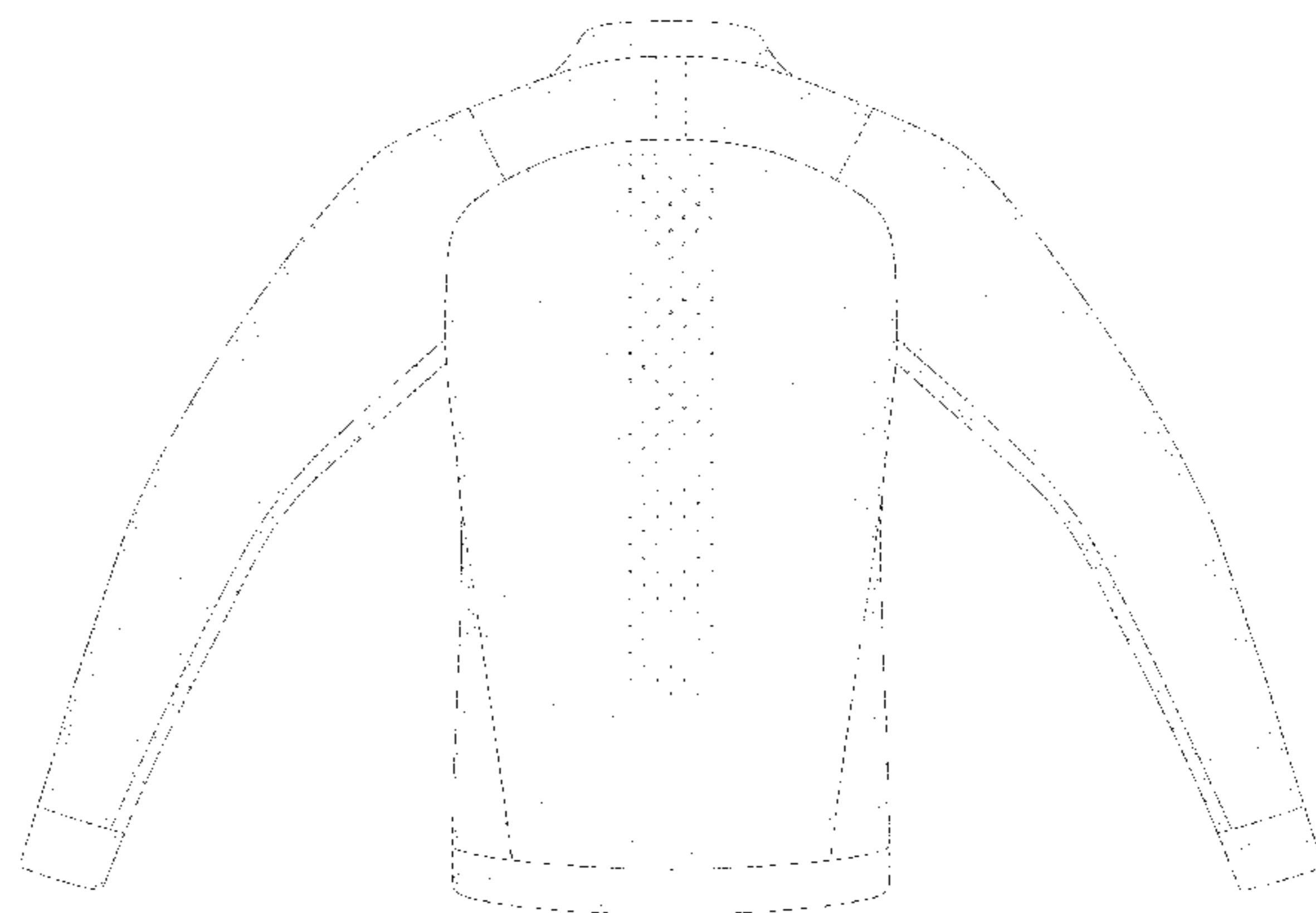
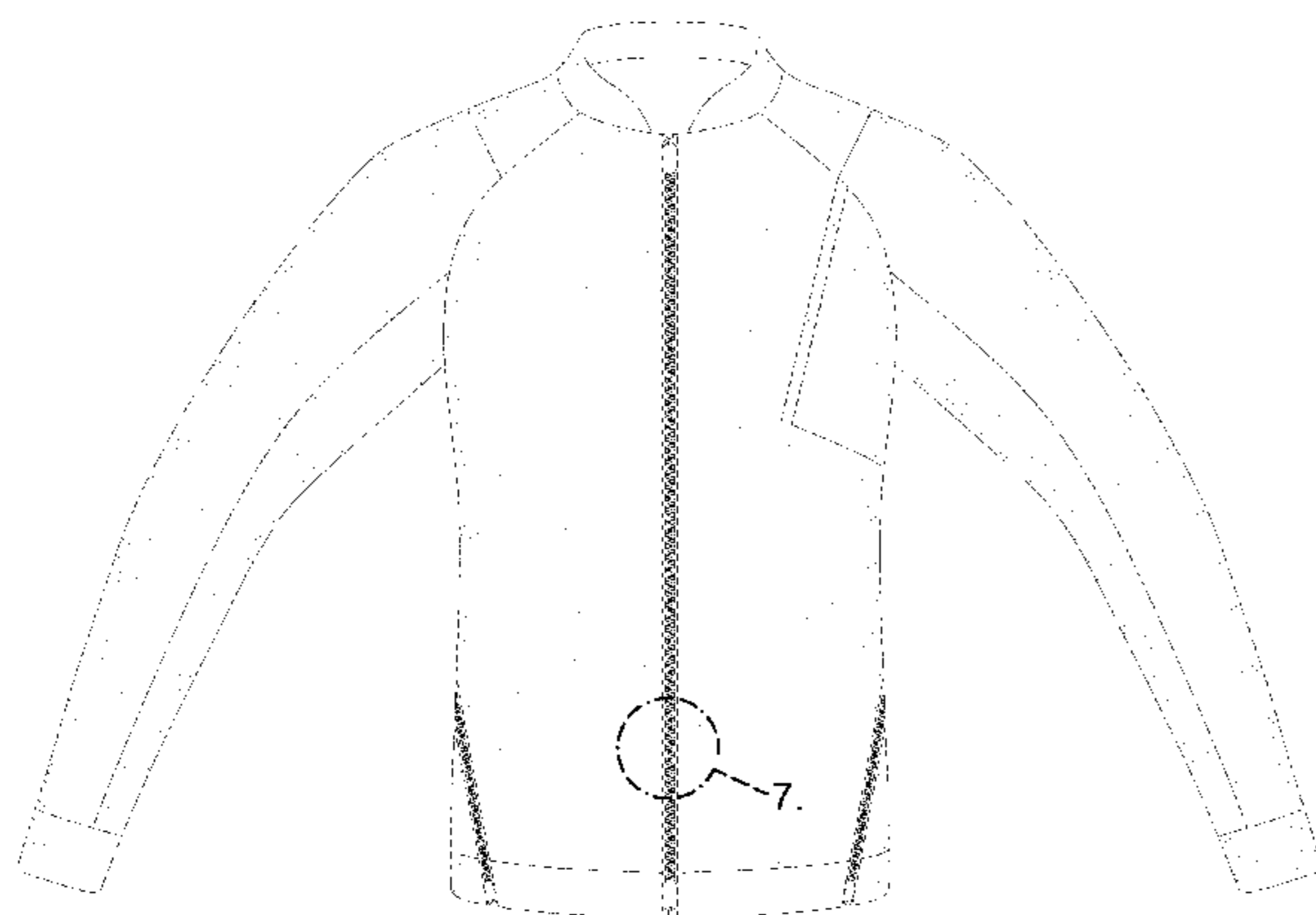
FIG. 5 is a back view thereof;

FIG. 6 is a magnified view of the area indicated in FIG. 1; FIG. 7 is a magnified view of the area indicated in FIG. 2; and,

FIG. 8 is a magnified view of the area indicated in FIG. 4.

The broken lines with alternating dashes and dots, immediately adjacent to the shaded area, represent unclaimed boundaries of the design. The circles shown within the area bounded by the broken lines with alternating dashes and dots indicate unclaimed perforations and not contrast shading. The unshaded regions, demarcated by broken lines, represent unclaimed portions of the garment and form no part of the claimed design. The even-length line segments that are within the shaded area are for environmental purposes only and form no part of the claimed design. The broken lines comprising an alternating pattern of two dashes separated by a dot are used to indicate the boundaries of a magnified view, as shown in FIGS. 1, 2, 4, and 6 and form no part of the claimed design. The contrast shading on the claimed portion is provided only to indicate the character and/or any contour or curvature of the surfaces. It does not indicate color, texture, markings that actually exist thereon, indicia, graphic representations, surface treatment, or any other ornamentation applied to the article.

1 Claim, 7 Drawing Sheets



(56)

References Cited

U.S. PATENT DOCUMENTS

D527,868 S * 9/2006 Wager D2/828
 D555,878 S * 11/2007 Bay D2/828
 D588,783 S * 3/2009 Olstorn D2/828
 D627,950 S 11/2010 Carpentier
 D633,690 S * 3/2011 Tronvold D2/828
 D648,924 S * 11/2011 Proust D2/828
 D662,282 S * 6/2012 Meunier-Bouchard D2/828
 D679,072 S * 4/2013 Abbevik D2/828
 D714,525 S * 10/2014 Payne D2/828
 D744,199 S 12/2015 Roscoe
 D745,250 S 12/2015 McClain
 D745,769 S 12/2015 Borovicka
 D749,821 S * 2/2016 McClora D2/828
 D755,478 S * 5/2016 Grosbol D2/828
 D757,397 S * 5/2016 Huang D2/828
 D758,697 S * 6/2016 Clark D2/828
 D763,582 S 8/2016 McClain
 D770,129 S 11/2016 Lomax
 D772,534 S 11/2016 Borovicka
 D784,657 S 4/2017 Adrovic
 D784,658 S * 4/2017 Adrovic D2/731
 D784,706 S 4/2017 McClain
 D787,160 S 5/2017 Crowe et al.
 D799,161 S * 10/2017 Crowe D2/828
 D800,419 S * 10/2017 Ingram D2/728
 D800,425 S * 10/2017 Schneider D2/828
 2013/0219581 A1 * 8/2013 Schrimpf A41D 27/20
 2/69
 2015/0107062 A1 4/2015 Hayashi et al.
 2016/0135527 A1 5/2016 Skurla, III
 2016/0295950 A1 * 10/2016 Schurr A42B 3/225
 2016/0338415 A1 11/2016 Aihara
 2017/0172237 A1 6/2017 Martin

* cited by examiner

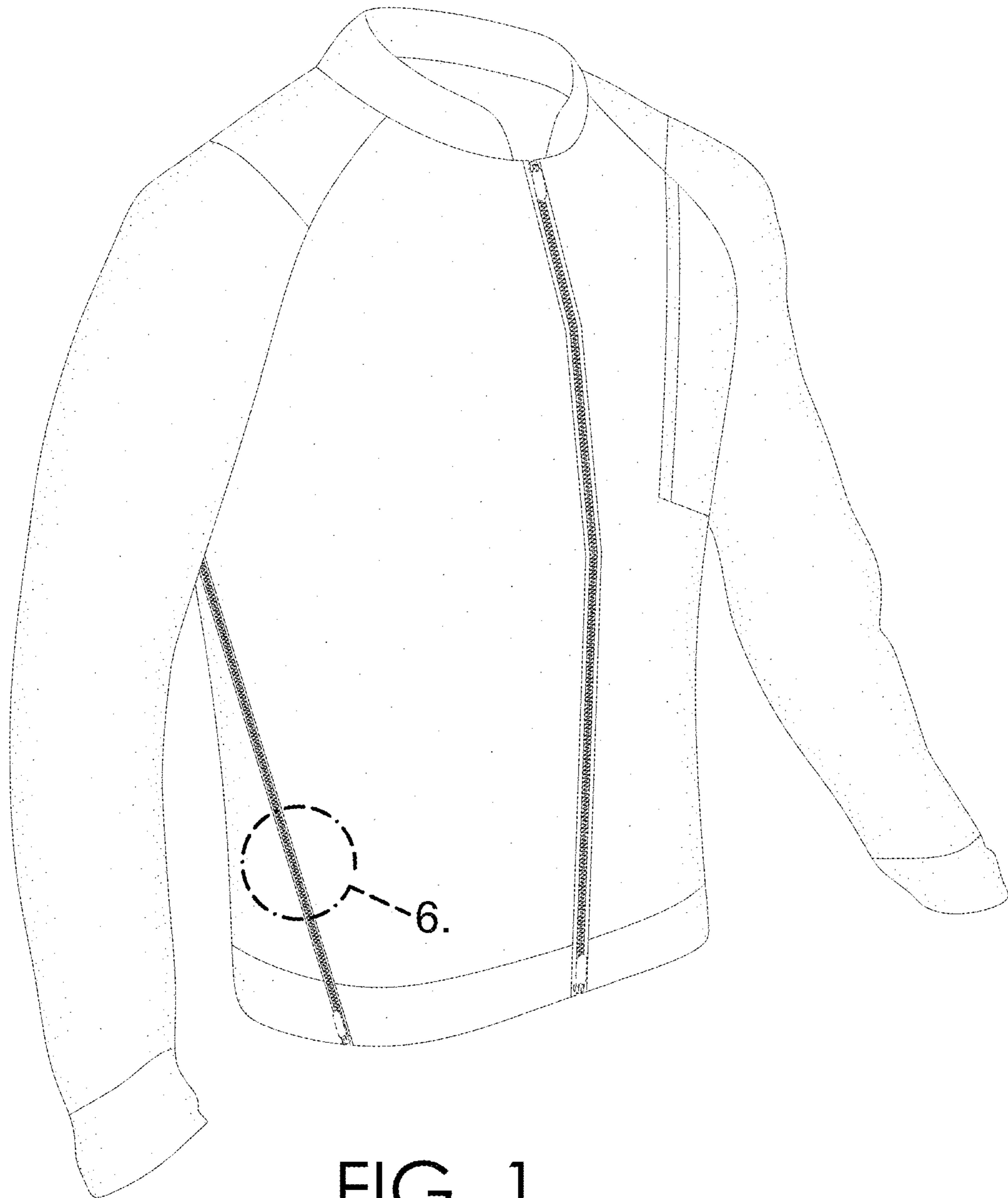


FIG. 1

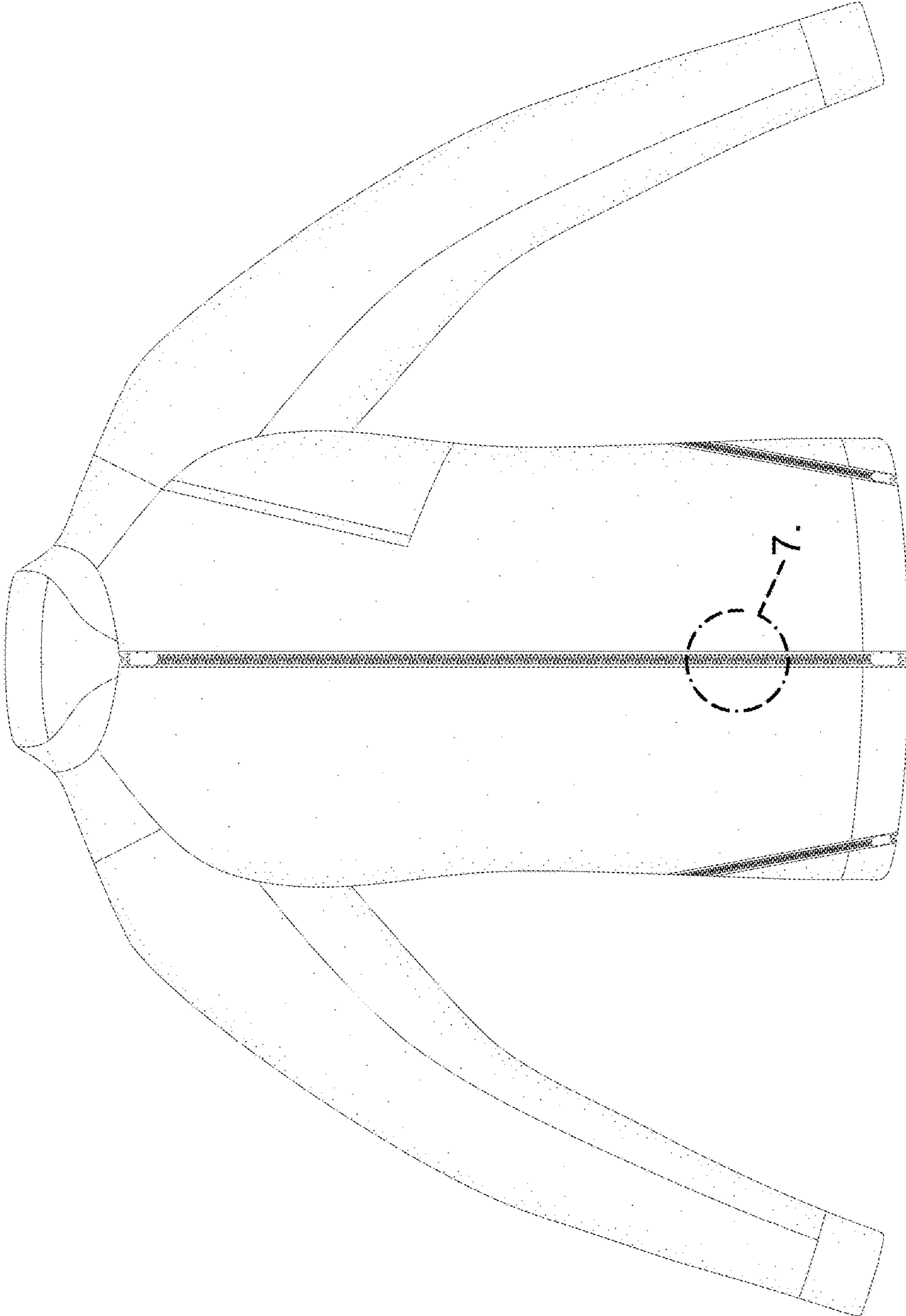


FIG. 2

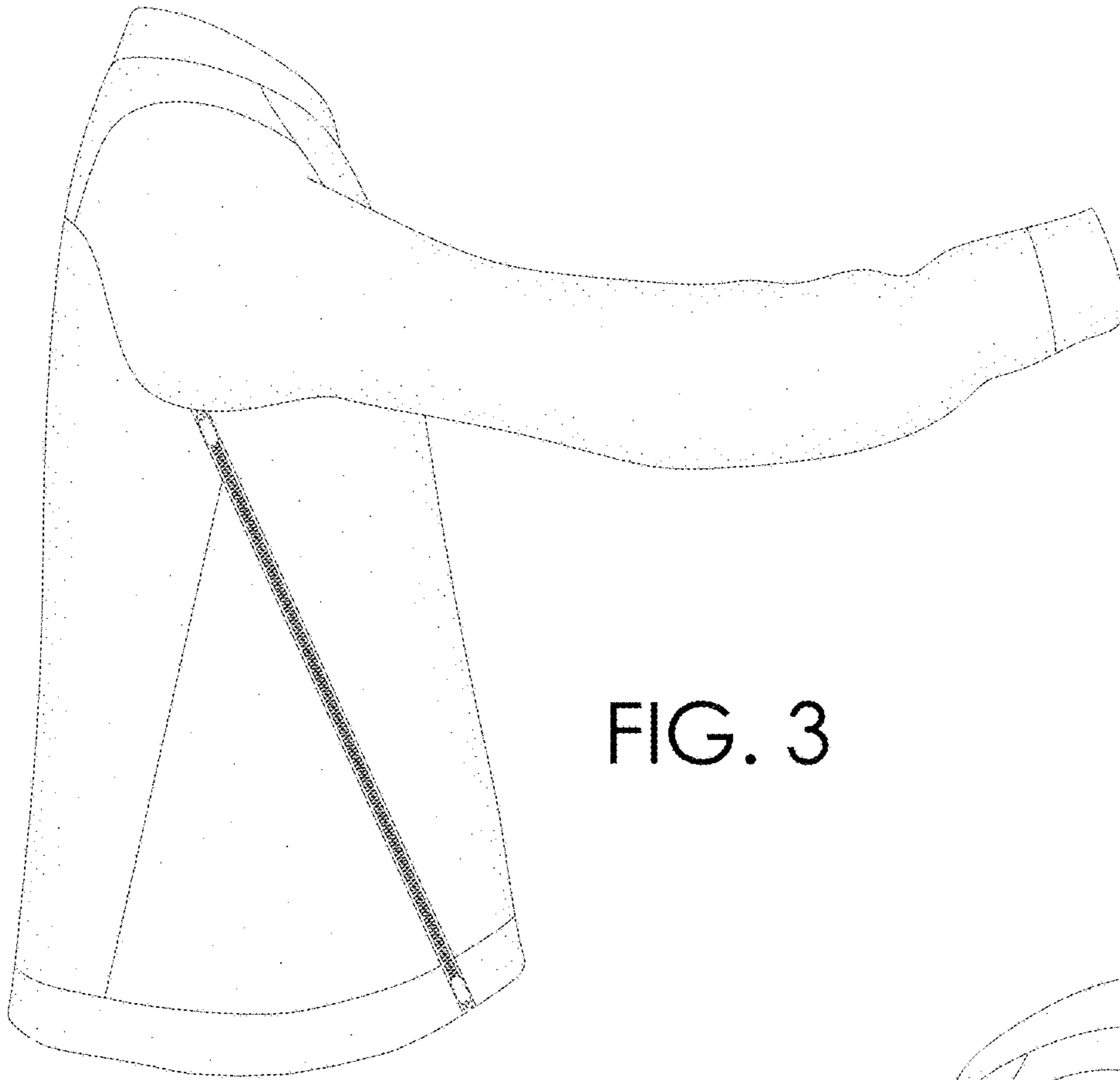


FIG. 3

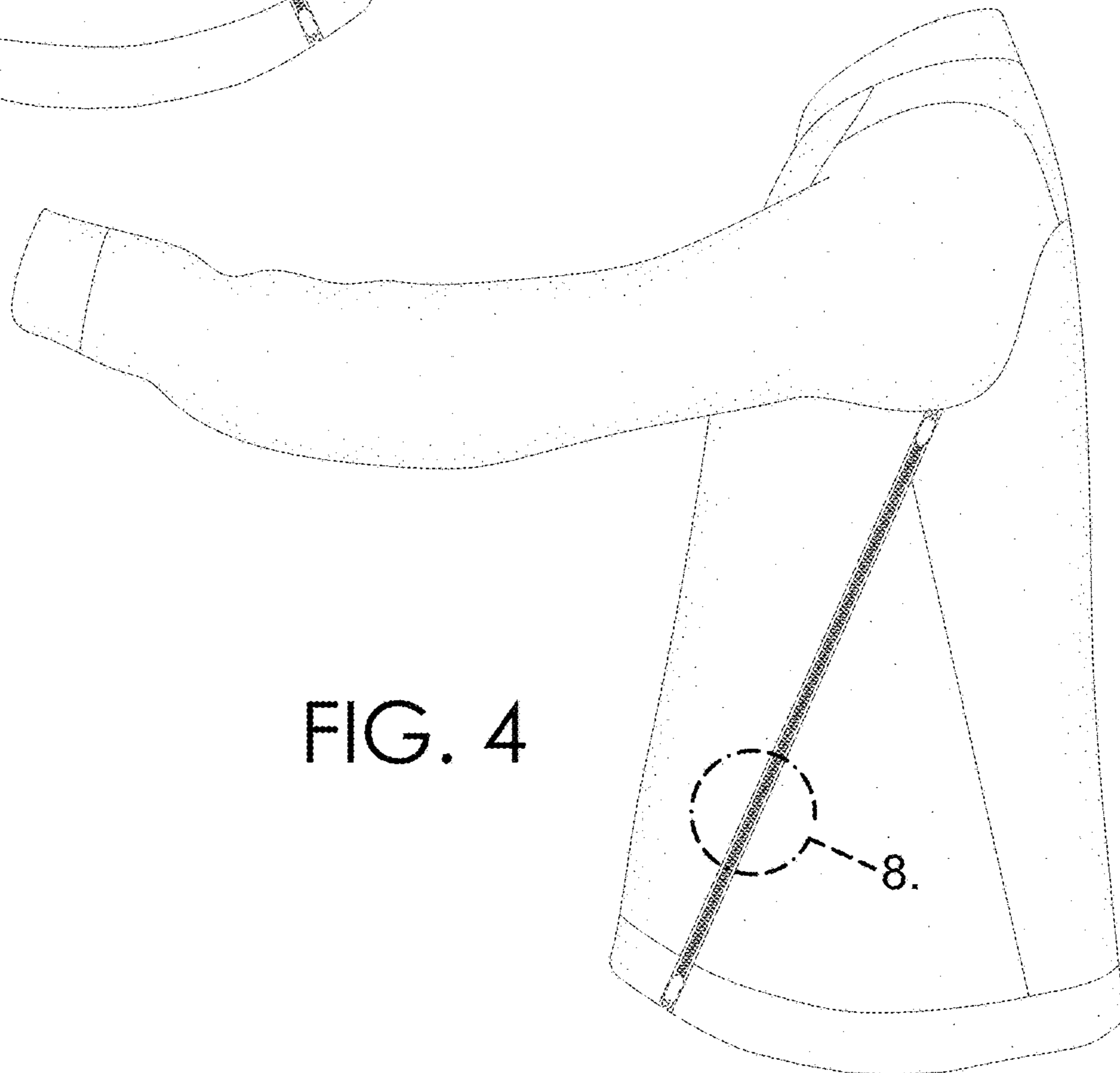


FIG. 4

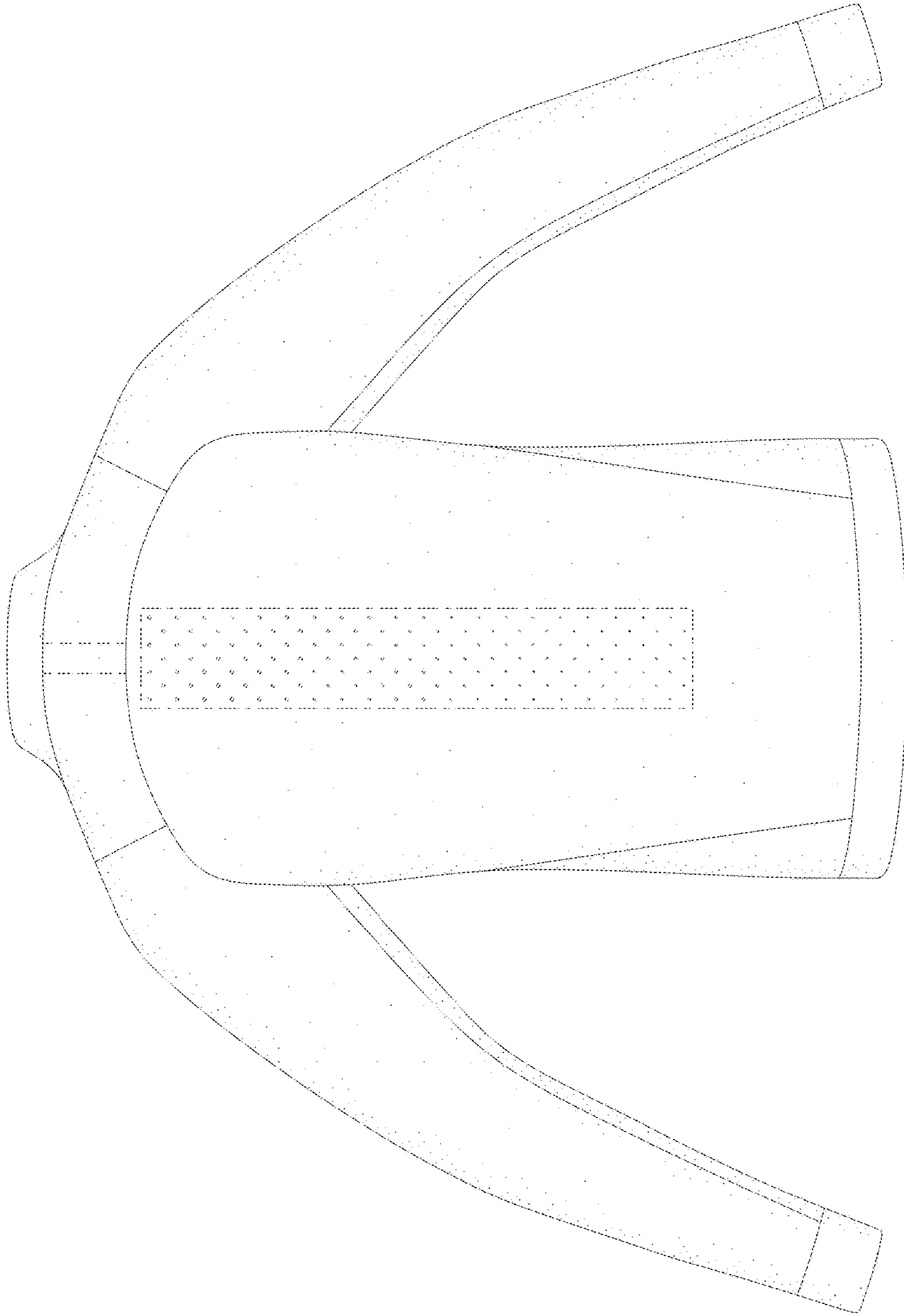


FIG. 5

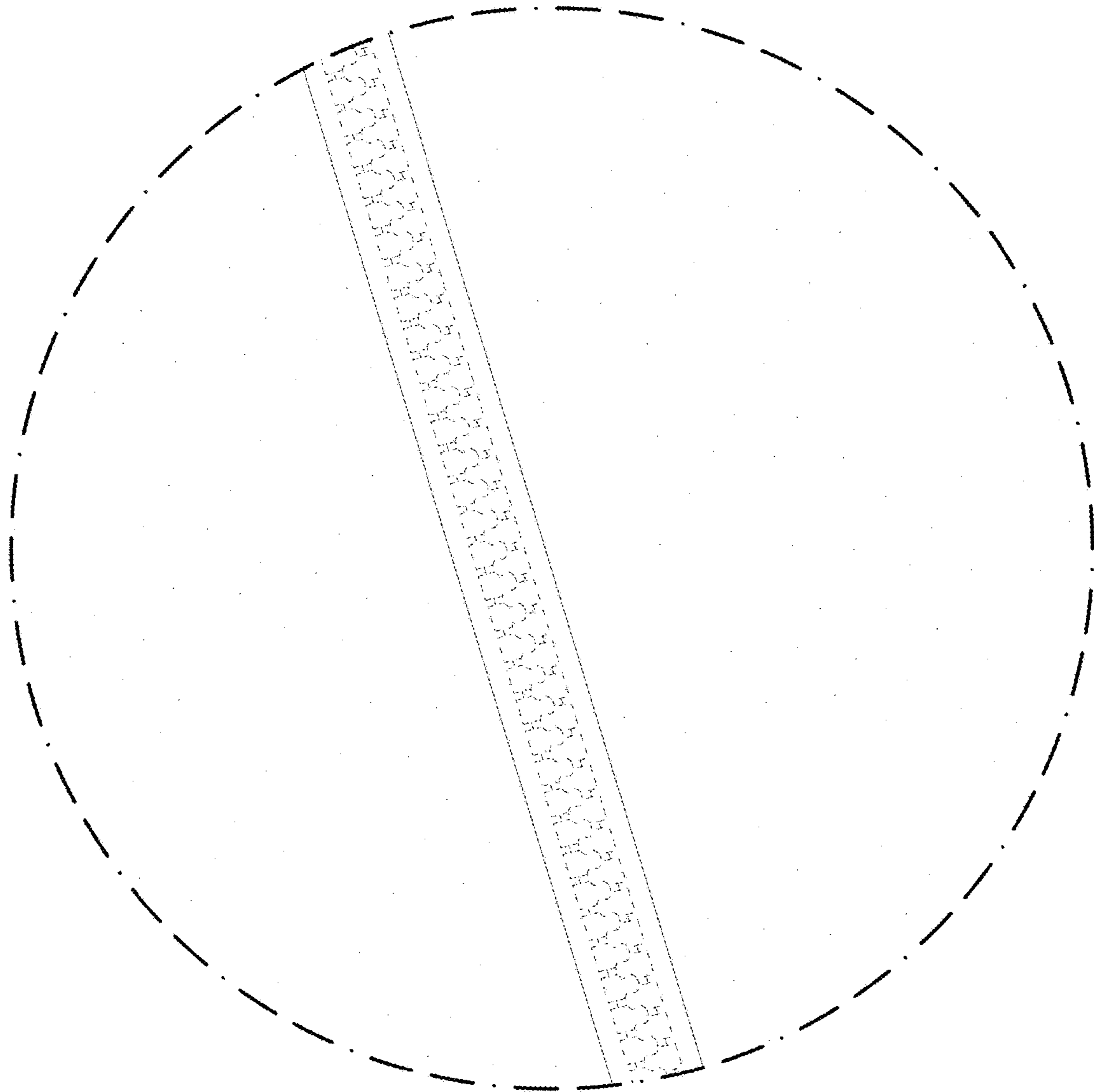


FIG. 6

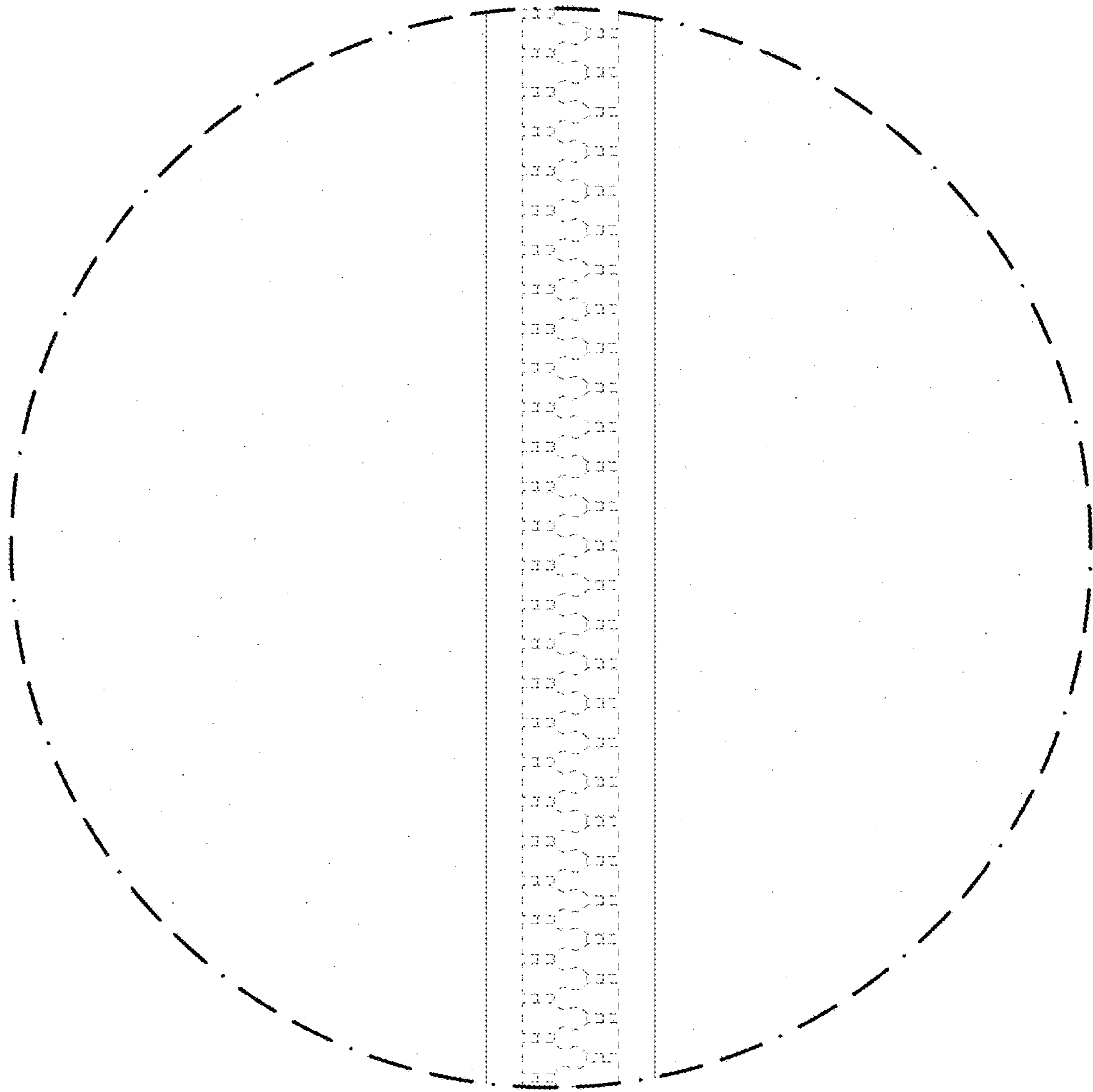


FIG. 7

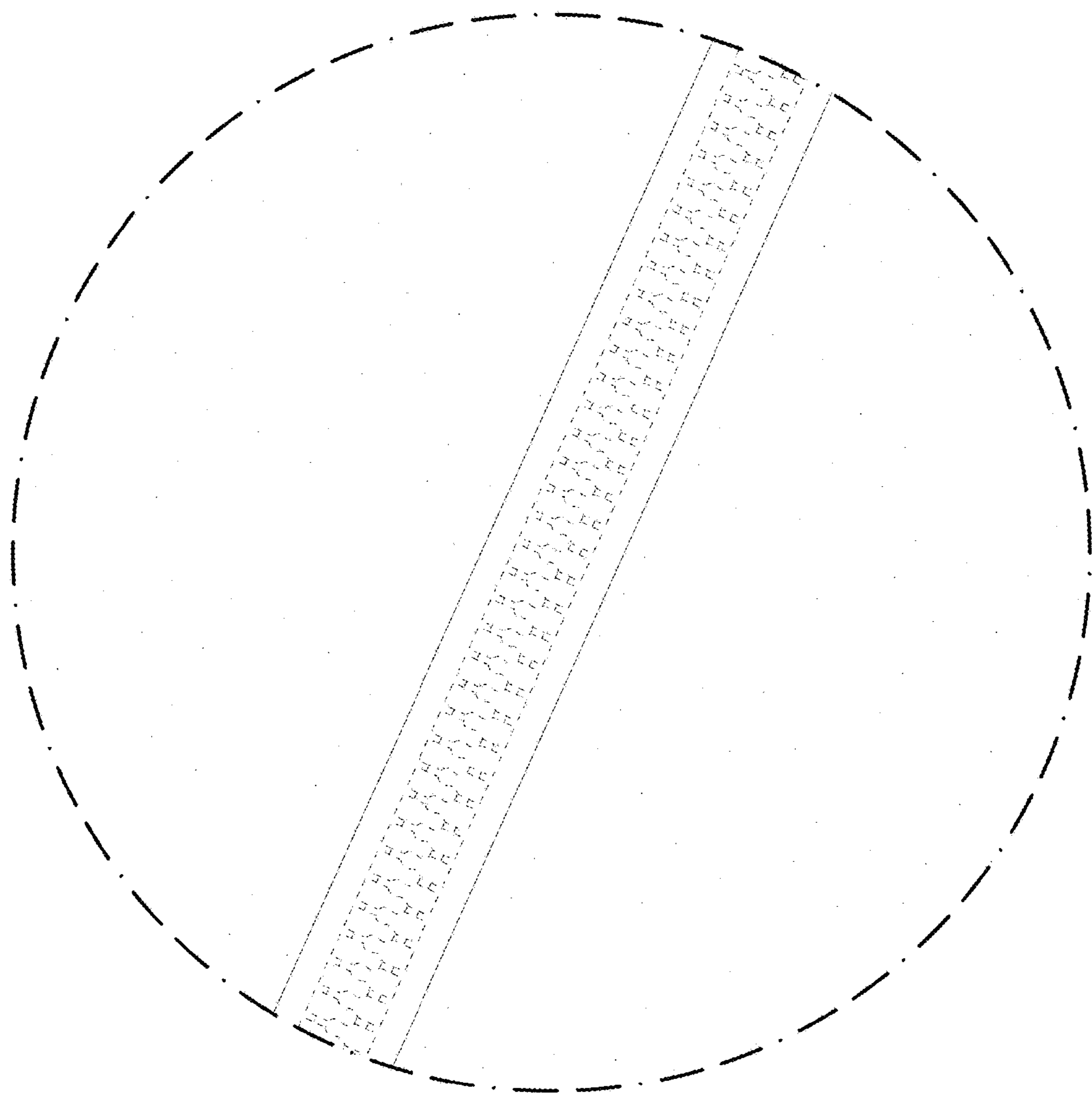


FIG. 8

UNITED STATES PATENT AND TRADEMARK OFFICE
CERTIFICATE OF CORRECTION

PATENT NO. : D814,744 S
APPLICATION NO. : 29/571677
DATED : April 10, 2018
INVENTOR(S) : Jeffrey K. Ingram

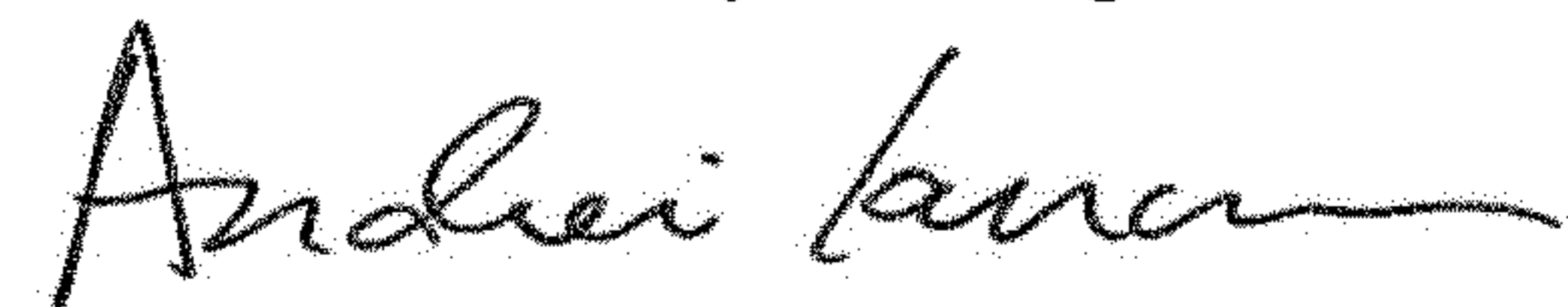
Page 1 of 1

It is certified that error appears in the above-identified patent and that said Letters Patent is hereby corrected as shown below:

In the Description:

Line 22: "FIGS. 1, 2, 4, and 6" should read -- FIGS. 1, 2, 4, and 6-8 --

Signed and Sealed this
Fourteenth Day of August, 2018



Andrei Iancu
Director of the United States Patent and Trademark Office