



US00D814739S

(12) **United States Design Patent**  
**Coutinho et al.**

(10) **Patent No.:** **US D814,739 S**

(45) **Date of Patent:** **\*\* Apr. 3, 2018**

(54) **SAFE FOR STORAGE OF MONETARY BILLS**

9/06; G07F 9/003; G07F 17/10; G07F 17/12

(71) Applicant: **Cata Company**, Pompano Beach, FL (US)

See application file for complete search history.

(72) Inventors: **Deivid Henrique Coutinho**, Florianópolis (BR); **Victor Pagliari Levy**, Florianópolis (BR); **Vilmar Claudino Dos Santos Filho**, Florianópolis (BR); **Felipe Eugênio Dutra**, Florianópolis (BR)

(56) **References Cited**

U.S. PATENT DOCUMENTS

3,318,428	A *	5/1967	Klein	.....	G07C 9/00079
					221/1
D445,124	S *	7/2001	Naito	.....	D18/3.3
D454,421	S *	3/2002	Jeon	.....	D18/3.3
6,748,101	B1 *	6/2004	Jones	.....	G06Q 20/1085
					235/379
6,857,804	B2 *	2/2005	Luciano, Jr.	.....	B41J 29/12
					235/379
D618,875	S *	6/2010	Tougo	.....	D18/3.3
D625,305	S *	10/2010	Bleck	.....	D14/307
D626,544	S *	11/2010	Bleck	.....	D14/307
D659,748	S *	5/2012	Helgesson	.....	D18/4.6
D669,525	S *	10/2012	Bleck	.....	D18/3.3
D671,164	S *	11/2012	Bleck	.....	D18/3.3
D674,985	S *	1/2013	Lee	.....	D14/900

(Continued)

(73) Assignee: **CATA COMPANY**, Pompano Beach, FL (US)

(\*\*) Term: **15 Years**

Primary Examiner — Elizabeth J Oswecki

(21) Appl. No.: **29/581,580**

(74) Attorney, Agent, or Firm — Coats & Bennett, PLLC

(22) Filed: **Oct. 20, 2016**

(30) **Foreign Application Priority Data**

Apr. 26, 2016 (BR) ..... 30 2016 001734 4

(51) **LOC (11) Cl.** ..... **99-00**

(52) **U.S. Cl.**  
USPC ..... **D99/28**

(58) **Field of Classification Search**

USPC ..... D99/28, 34, 35, 36, 43, 99; 109/1 R, 109/1 V, 2, 45; 902/9, 30; 235/100; 206/0.8, 0.815, 0.82; 312/400, 409  
CPC ..... F24B 39/24; E05B 65/0075; E05G 1/00; E05G 1/005; E05G 1/024; E05G 5/00; E05G 5/02; E05G 2700/00; E05G 2700/02; E05G 2700/04; G07D 11/0006; G07D 11/0009; G07D 9/002; G07D 9/004; G07D 9/008; G07D 11/009; G07F

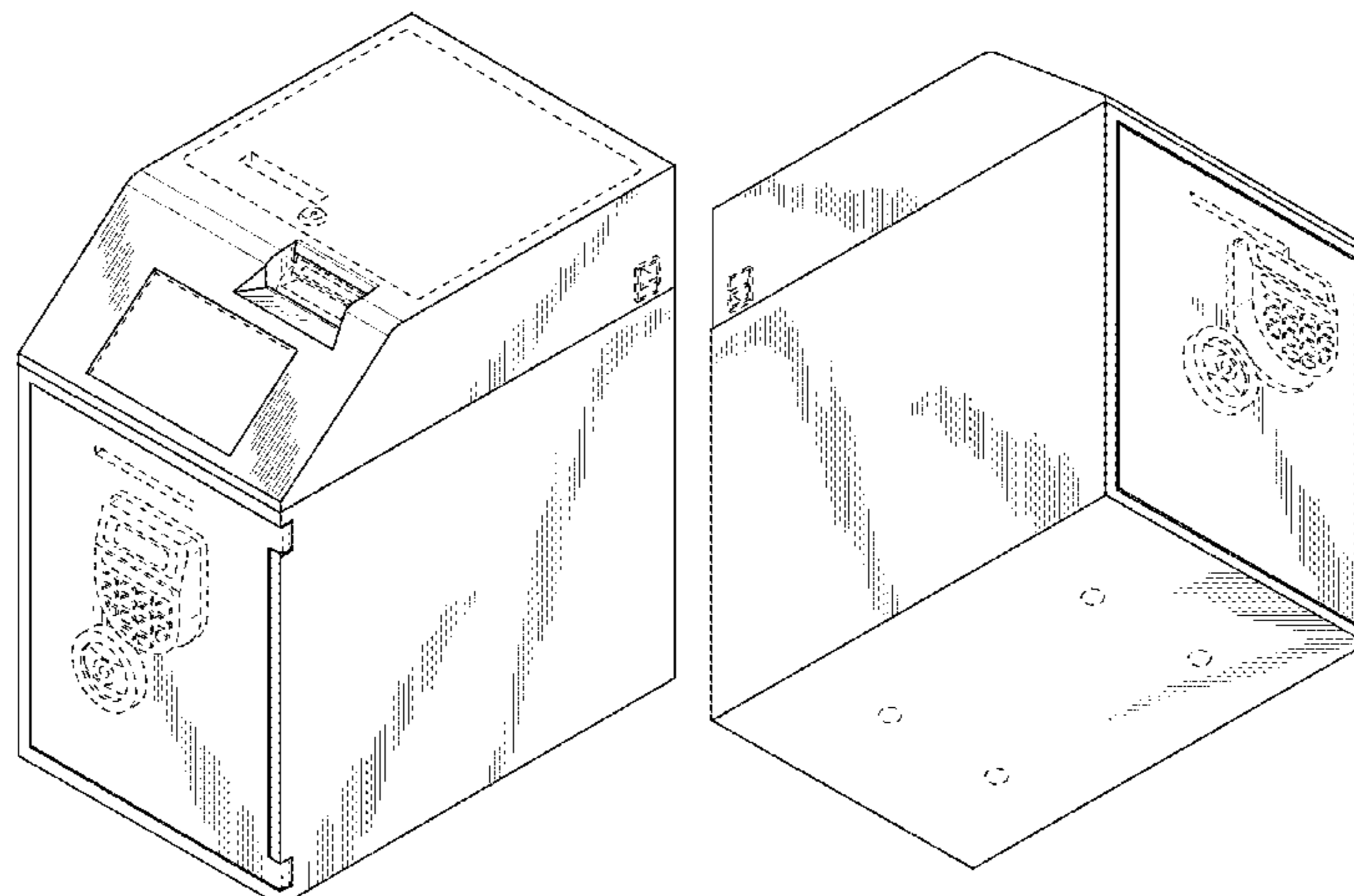
(57) **CLAIM**

The ornamental design for a safe for storage of monetary bills, as shown and described.

**DESCRIPTION**

FIG. 1 is a front, top, right side perspective view of a safe for storage of monetary bills showing our new design; FIG. 2 is a front, top, left side perspective view thereof; FIG. 3 is a front, bottom, right side perspective view thereof; FIG. 4 is a front view thereof; FIG. 5 is a back view thereof; FIG. 6 is a top view thereof; FIG. 7 is a bottom view thereof; FIG. 8 is a left side view thereof; and, FIG. 9 is a right side view thereof.

(Continued)



The broken lines illustrating portions of the safe for storage of monetary bills form no part of the claimed design.

**1 Claim, 9 Drawing Sheets**

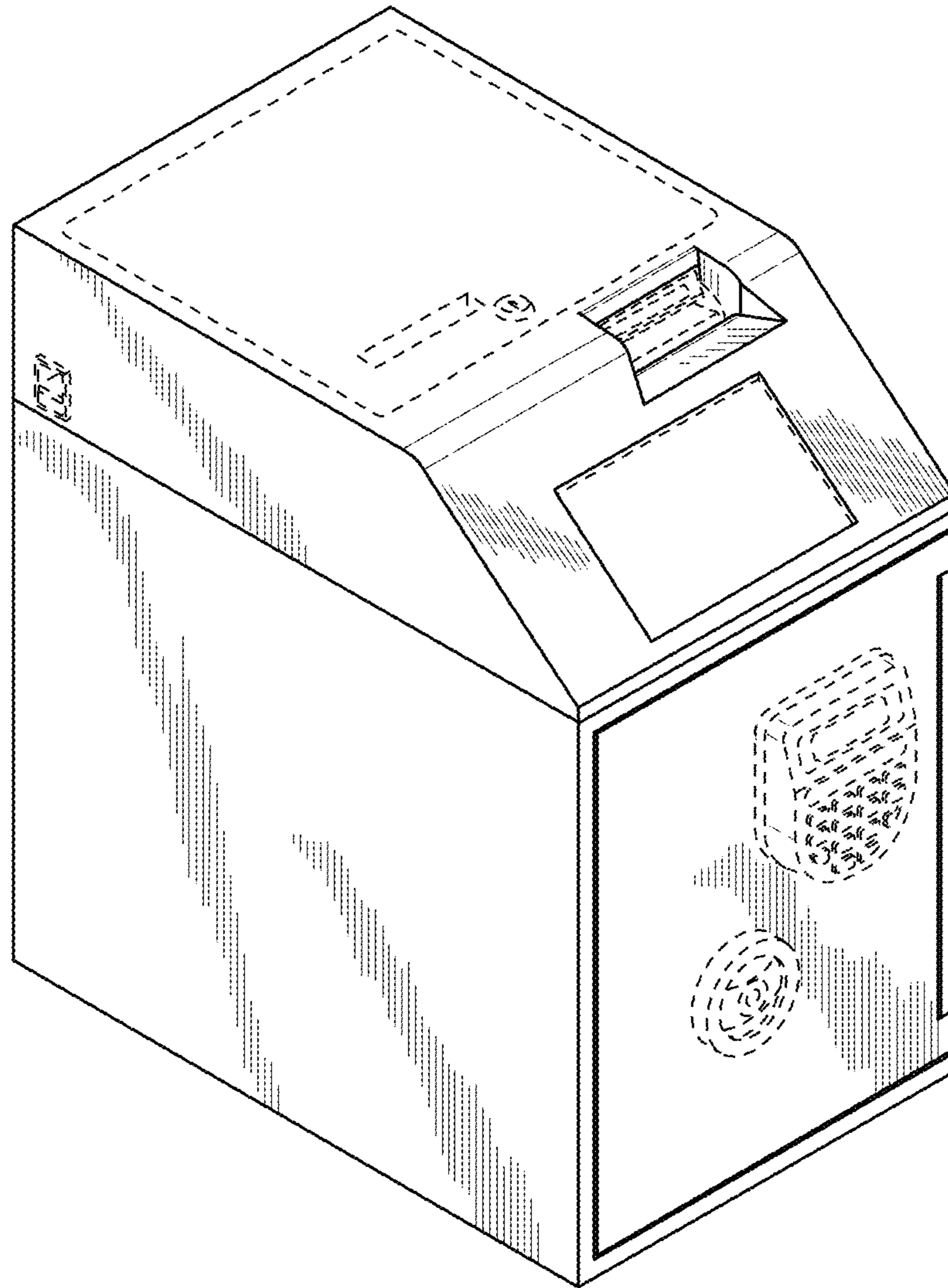
(56)

**References Cited**

U.S. PATENT DOCUMENTS

D680,156	S	*	4/2013	Hernandez	.....	D18/4.4
D724,813	S	*	3/2015	Umeda	.....	D99/34
D725,340	S	*	3/2015	Giometti	.....	D99/28
D725,865	S	*	3/2015	Cho	.....	D99/28
D735,440	S	*	7/2015	Randall	.....	D99/28
D735,963	S	*	8/2015	Randall	.....	D99/28
D735,964	S	*	8/2015	Randall	.....	D99/28
D735,965	S	*	8/2015	Randall	.....	D99/28
D739,637	S	*	9/2015	Randall	.....	D99/28
D739,638	S	*	9/2015	Randall	.....	D99/28
D739,639	S	*	9/2015	Randall	.....	D99/28
D769,569	S	*	10/2016	Kennedy	.....	D99/28
D772,521	S	*	11/2016	Graham	.....	D99/28
D782,148	S	*	3/2017	Rohan	.....	D99/28
D792,049	S	*	7/2017	Oh	.....	D99/28
2004/0262379	A1	*	12/2004	Gomes	.....	G06Q 30/06 235/379
2005/0029340	A1	*	2/2005	Ferraro	.....	G07F 7/00 235/379
2006/0073883	A1	*	4/2006	Franks, Jr.	.....	G06Q 30/02 463/25
2008/0296365	A1	*	12/2008	Schliebe	.....	G01G 19/52 235/379
2009/0057398	A1	*	3/2009	Douglass	.....	G07F 19/20 235/379

\* cited by examiner



**FIG. 1**

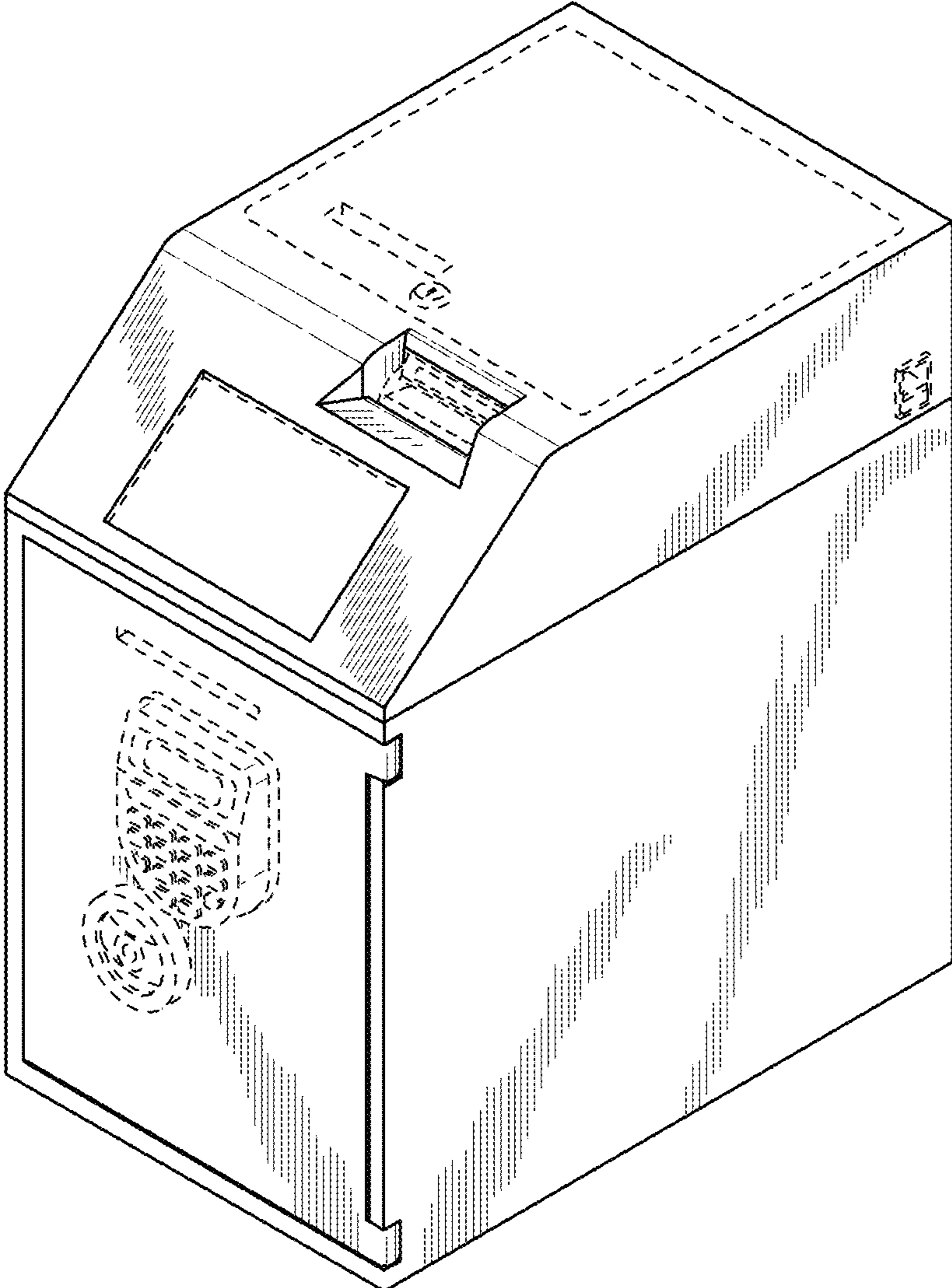


FIG. 2



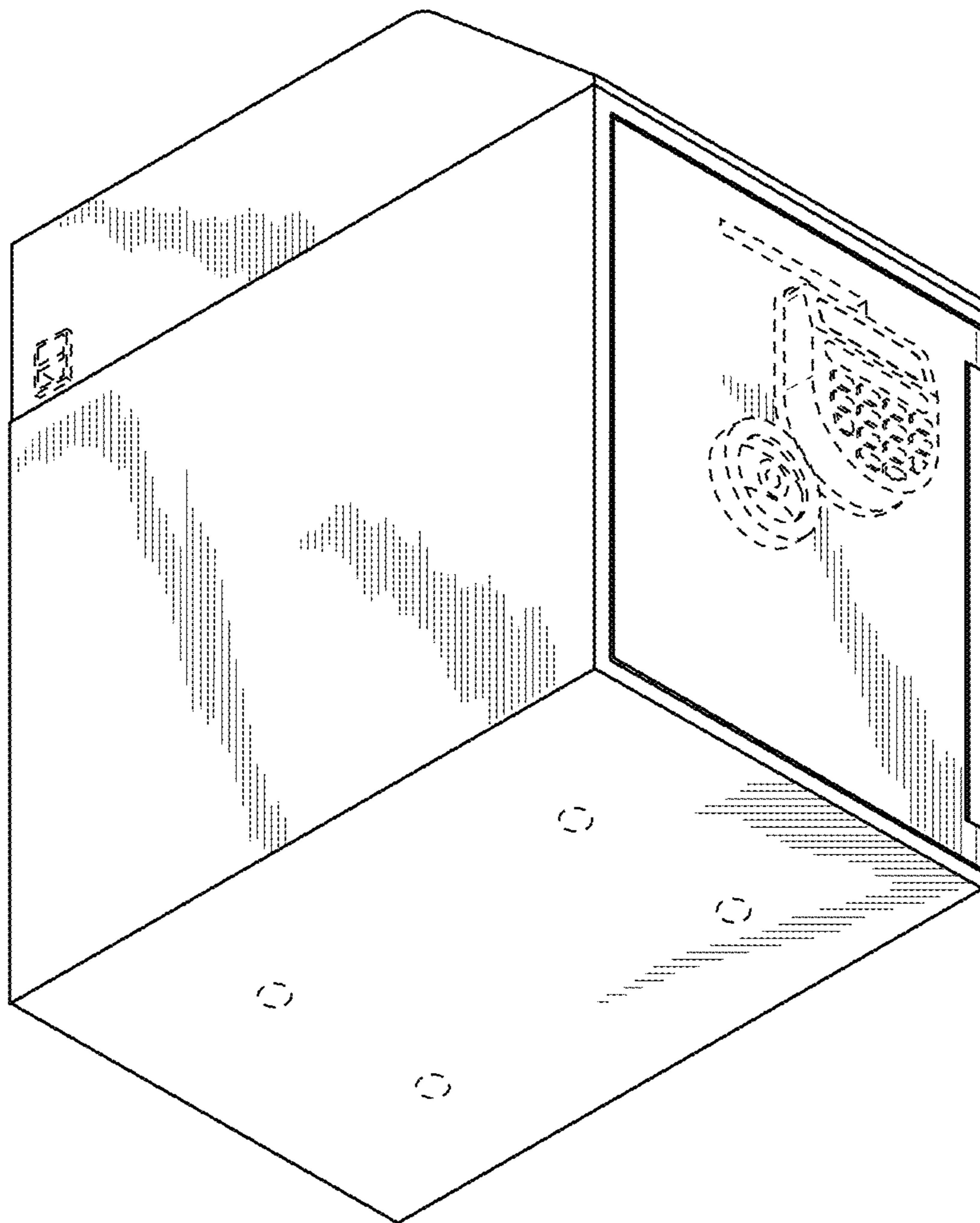
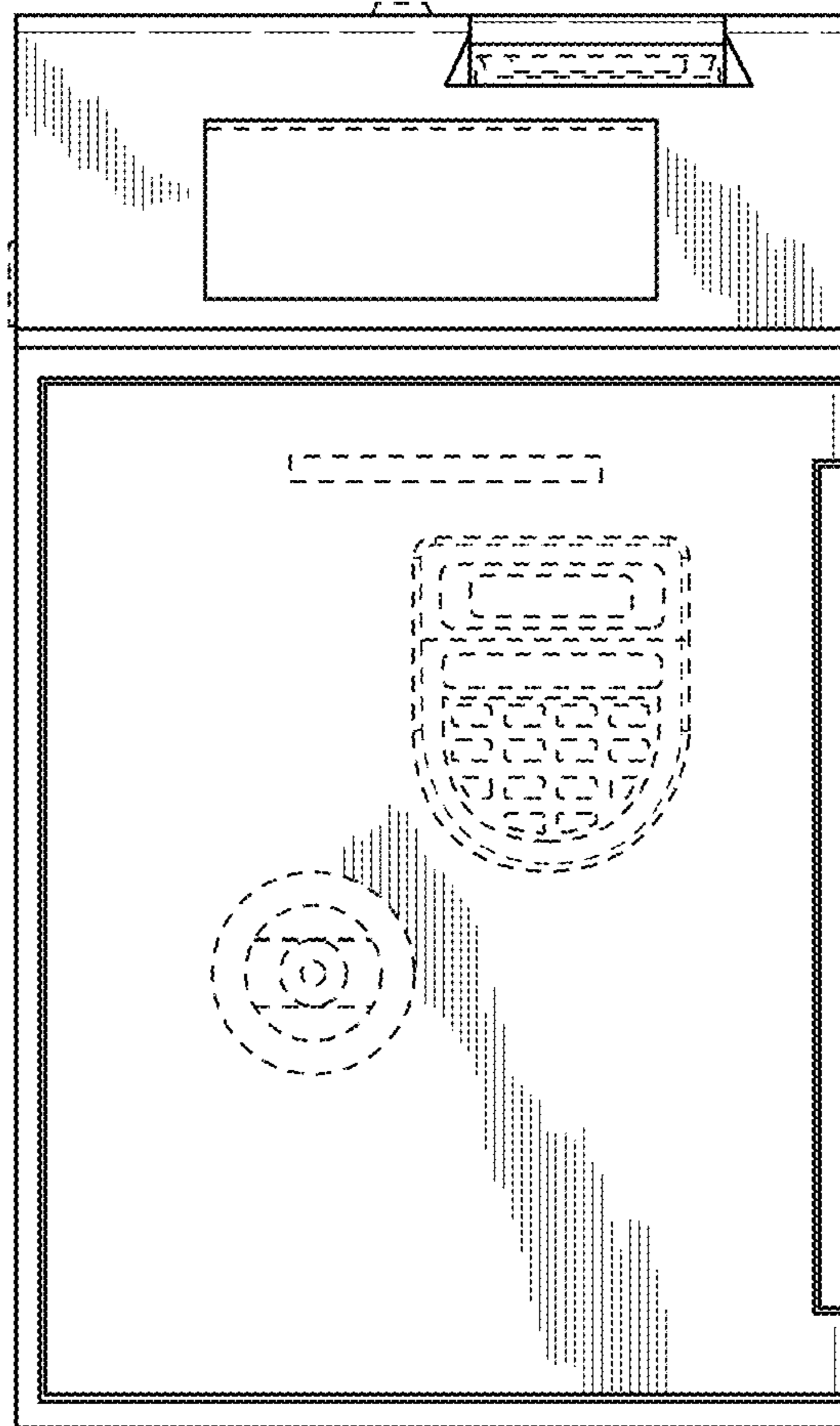
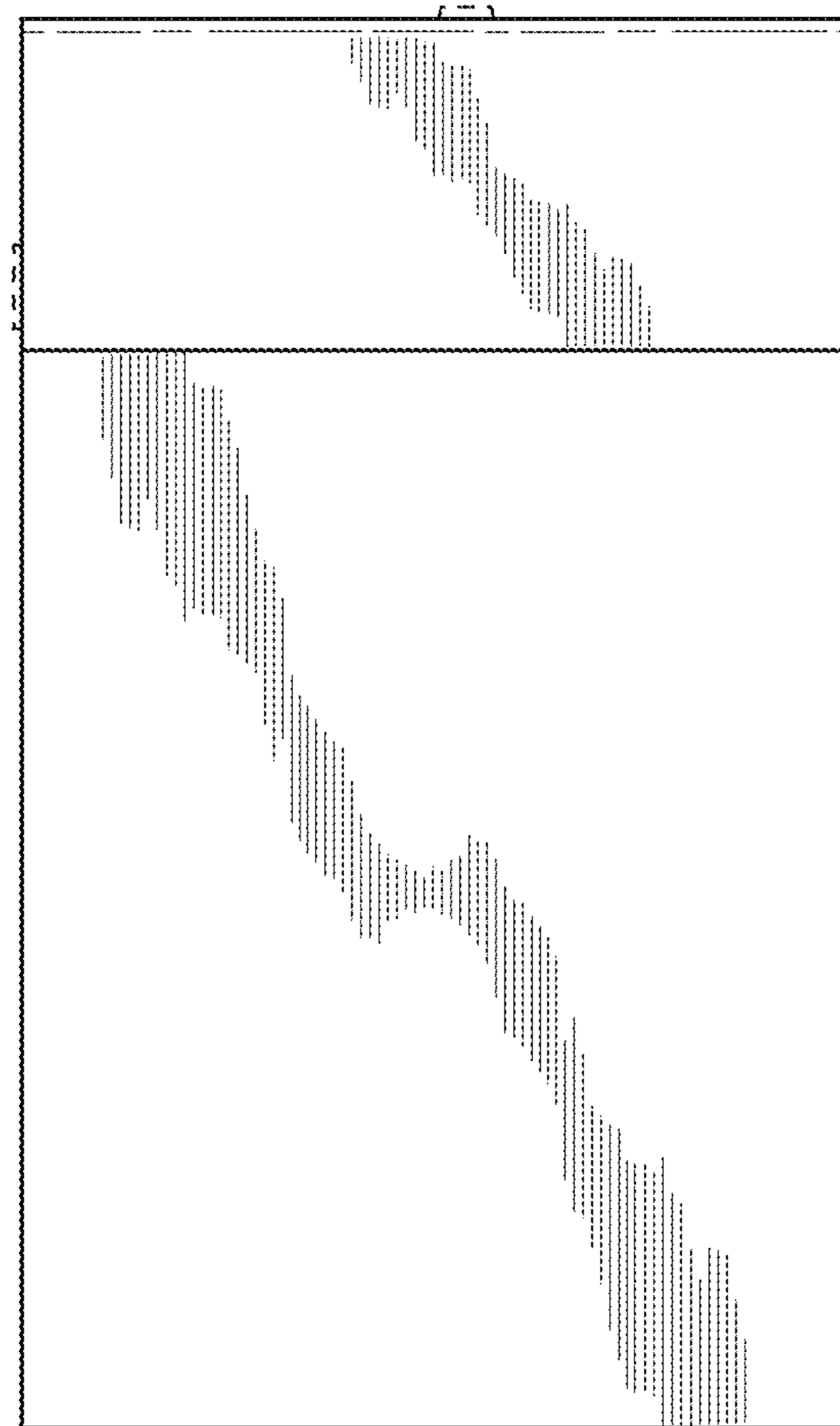


FIG. 3



**FIG. 4**



**FIG. 5**

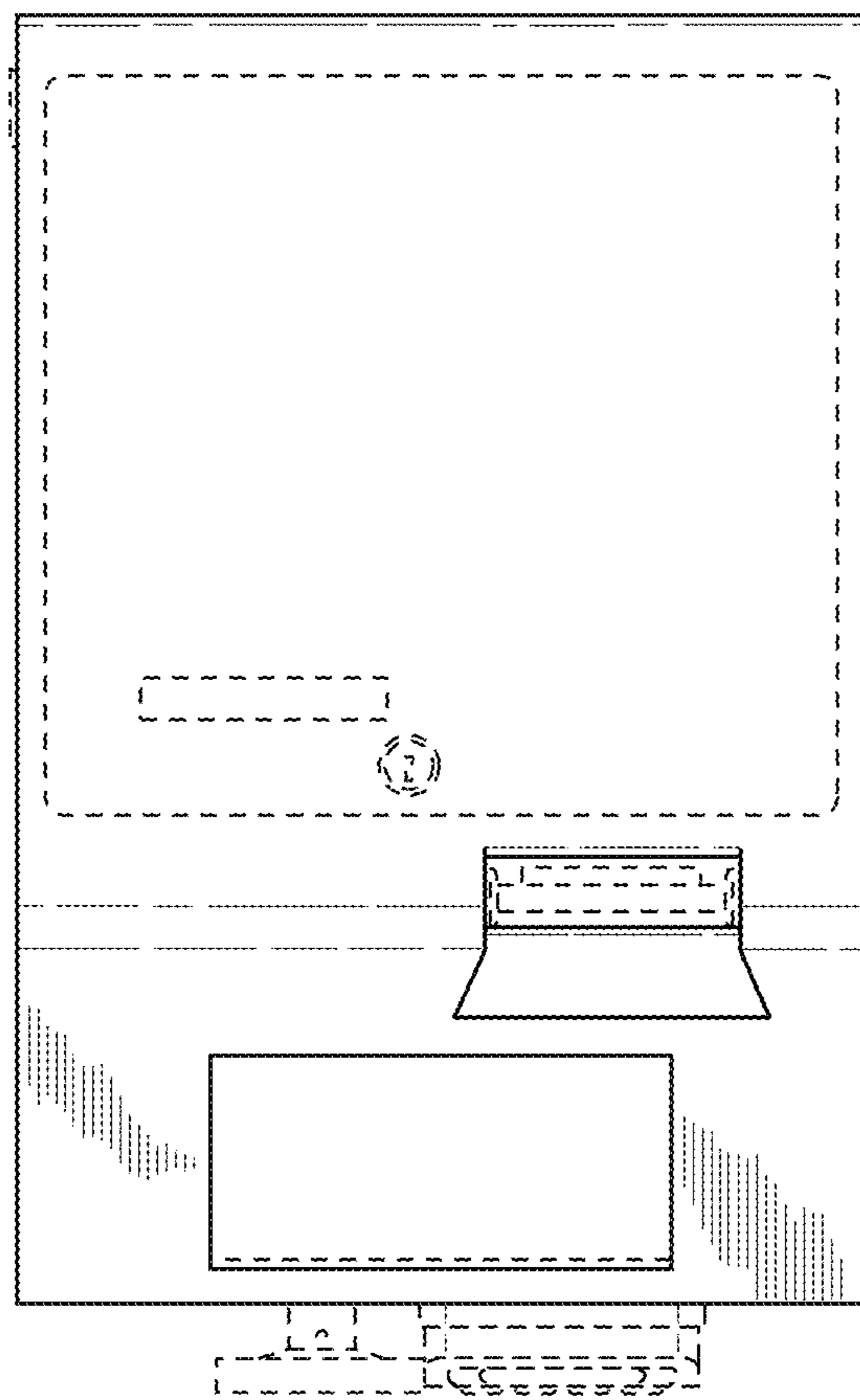
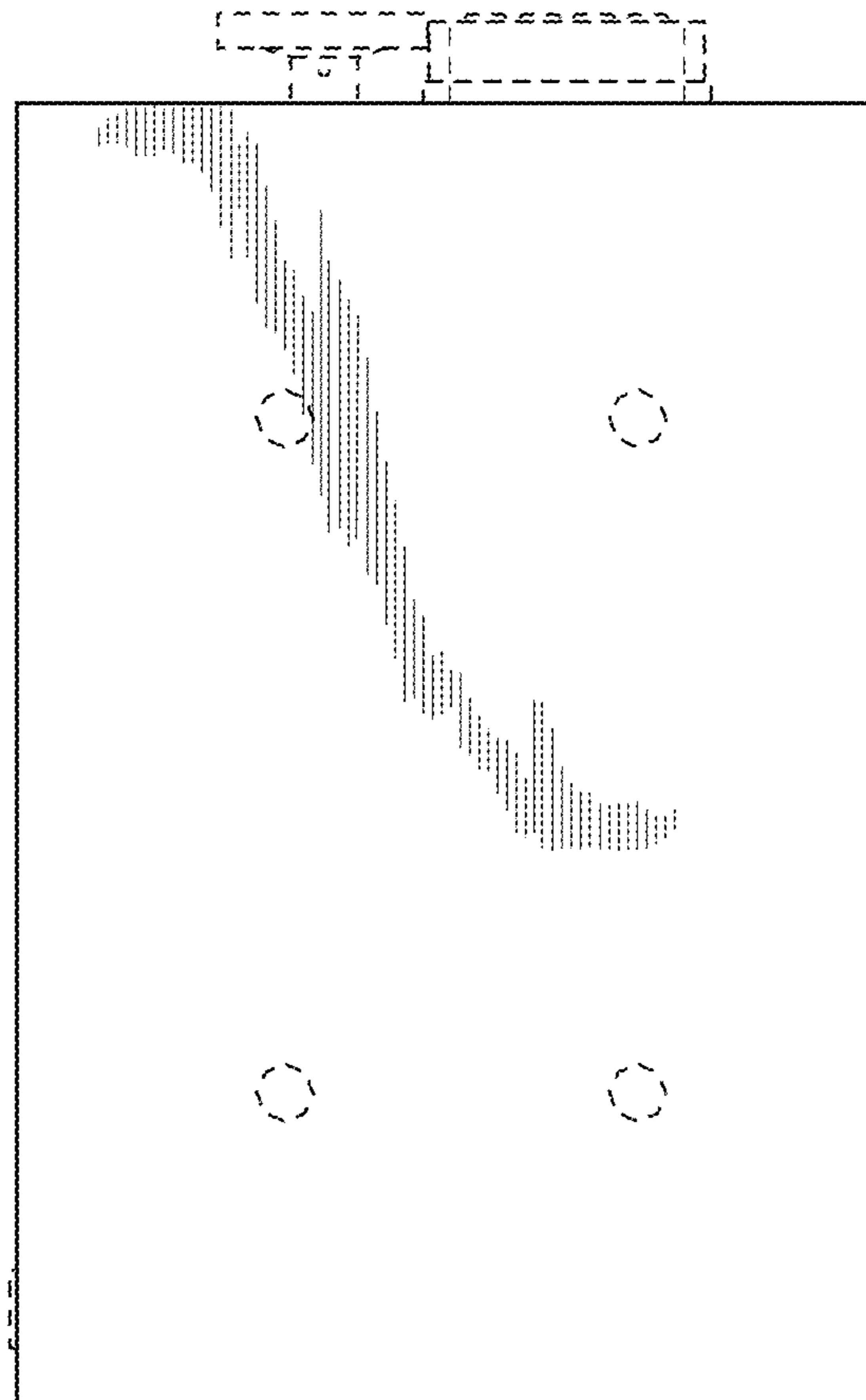
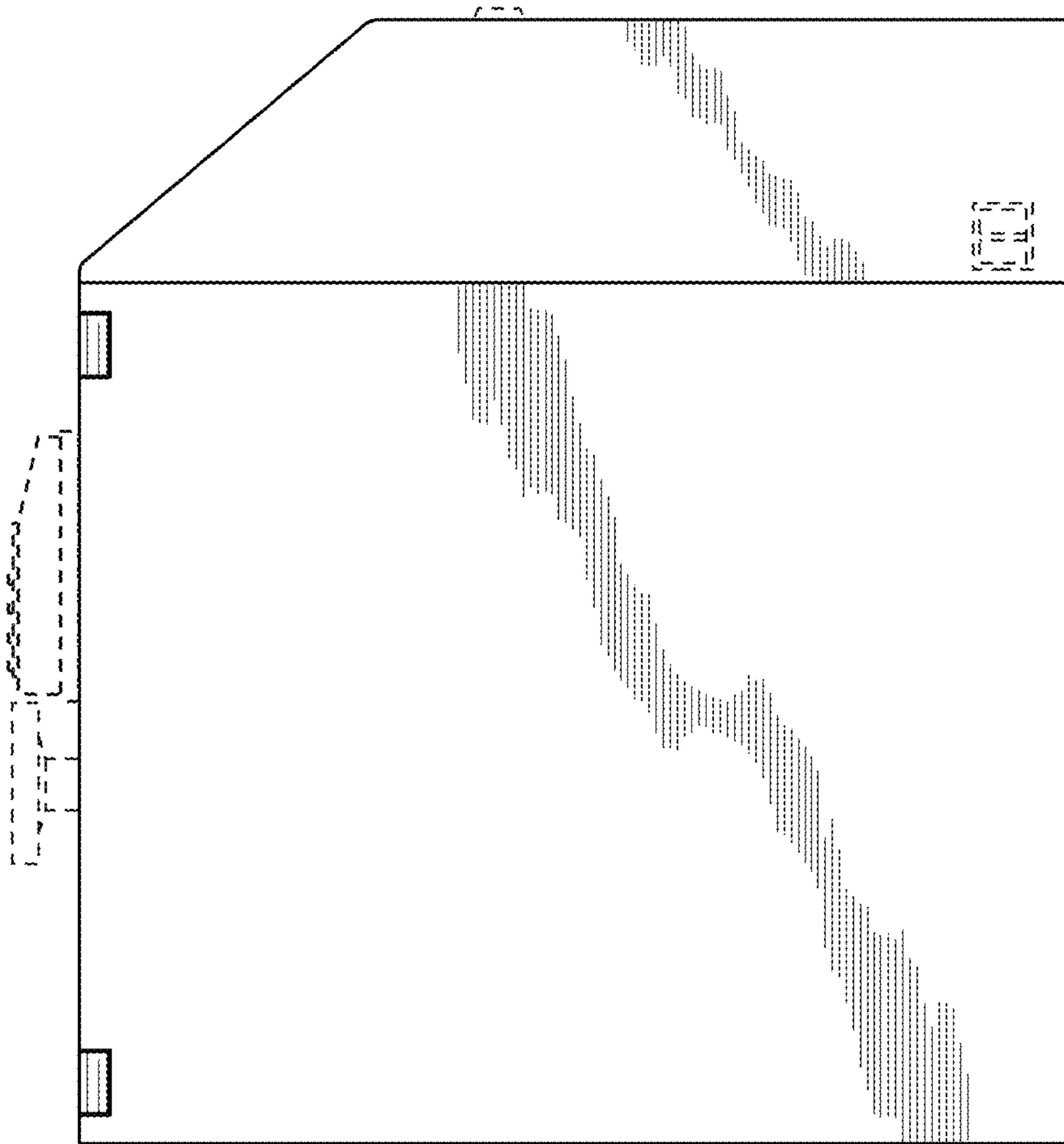


FIG. 6

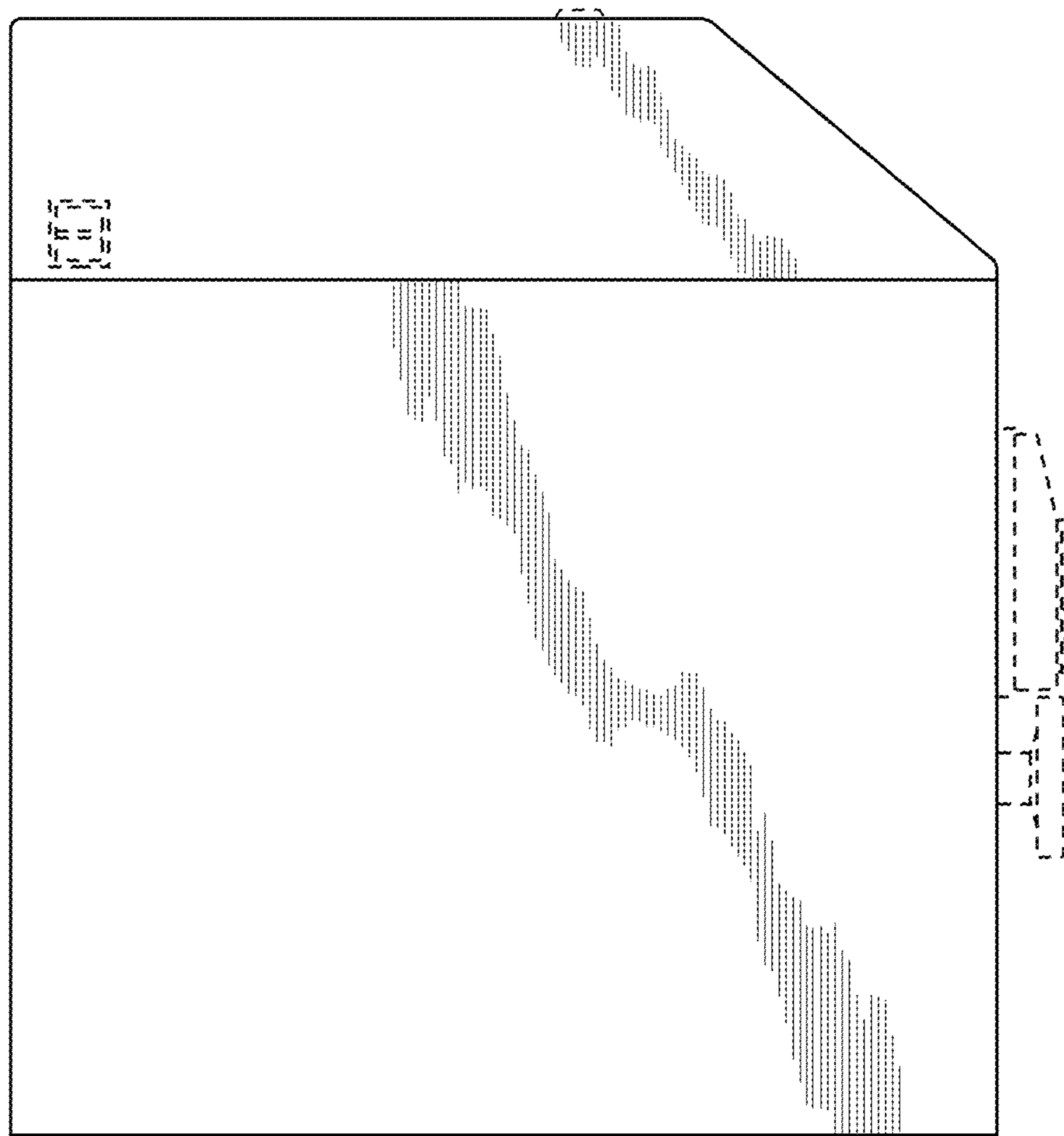




**FIG. 7**



**FIG. 8**



**FIG. 9**