



US00D814738S

(12) **United States Design Patent**  
**Mitchell**

(10) **Patent No.:** **US D814,738 S**

(45) **Date of Patent:** **\*\* Apr. 3, 2018**

(54) **HAND TRUCK ATTACHMENT**

(71) Applicant: **Terrence Mitchell**, Austin, TX (US)

(72) Inventor: **Terrence Mitchell**, Austin, TX (US)

(\*\*) Term: **15 Years**

(21) Appl. No.: **29/571,141**

(22) Filed: **Jul. 14, 2016**

(51) **LOC (11) Cl.** ..... **12-05**

(52) **U.S. Cl.**  
USPC ..... **D34/35**

(58) **Field of Classification Search**  
USPC ..... D34/12, 22, 27, 28, 29, 33, 35; 280/5.2, 280/5.28, 47.23, 204, 5.26, 1.5, 3, 28.5, 280/29, 205, 242.1, 481, 33.992, 651, 280/47.11, 47.34, 62, 63, 64; 180/8.1-8.4, 8.7; 301/111.01  
CPC ..... B62B 2301/00; B62B 2301/02; B62B 5/0086; B62B 2205/14; A61G 5/065  
See application file for complete search history.

(56) **References Cited**

U.S. PATENT DOCUMENTS

2,747,883	A *	5/1956	Frost	.....	B62B 5/026
					280/5.26
D212,800	S *	11/1968	Kimball	.....	D34/28
3,450,219	A *	6/1969	Fleming	.....	B62B 5/026
					180/8.2
4,142,732	A *	3/1979	Boyd	.....	B62B 5/026
					280/5.26
4,264,082	A *	4/1981	Fouchey, Jr.	.....	B62B 5/026
					280/5.26

D318,355	S *	7/1991	Salvesen	.....	D34/12
D501,975	S *	2/2005	Marsh	.....	D34/35
D540,503	S *	4/2007	Tsang	.....	D34/28
2002/0180256	A1 *	12/2002	Reich	.....	A61G 5/10
					301/111.01
2010/0013182	A1 *	1/2010	Kergosien	.....	A01M 31/02
					280/204
2013/0184917	A1 *	7/2013	Sarokhan	.....	B62B 5/0036
					180/7.1
2013/0274973	A1 *	10/2013	Kamara	.....	B62B 5/026
					180/7.1
2017/0057530	A1 *	3/2017	Ludo	.....	B62B 1/12

\* cited by examiner

*Primary Examiner* — Cynthia Ramirez  
*Assistant Examiner* — Michael A Maharajh  
(74) *Attorney, Agent, or Firm* — Matthew Burr

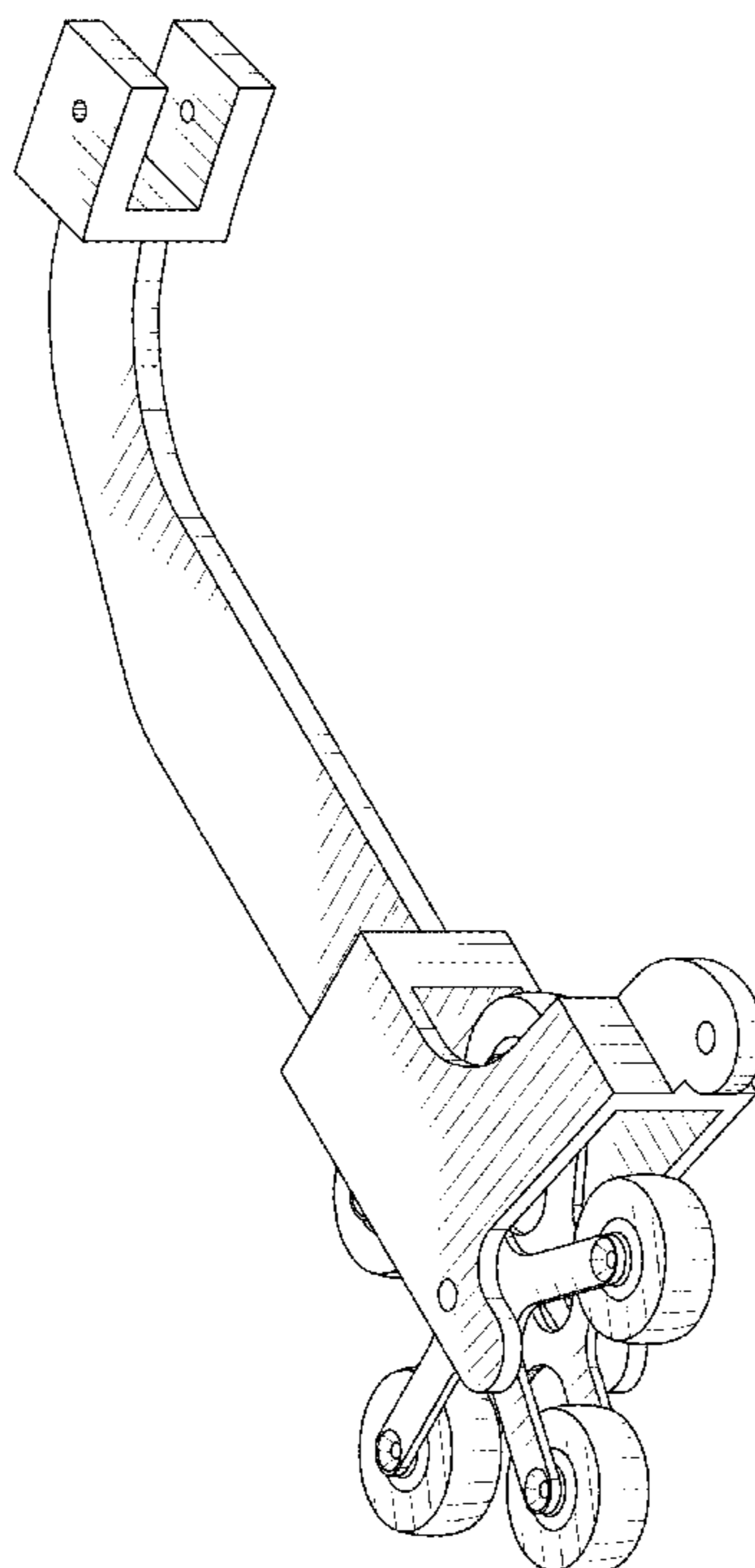
(57) **CLAIM**

The ornamental design for a hand truck attachment, as shown.

**DESCRIPTION**

FIG. 1 is a perspective view of the hand truck attachment, showing my new design;  
FIG. 2 is a bottom perspective view shown at a larger scale;  
FIG. 3 is a right-side elevation view thereof;  
FIG. 4 is a rear elevation view thereof;  
FIG. 5 is top plan view shown at a larger scale thereof;  
FIG. 6 is a bottom plan view shown at a larger scale thereof;  
and,  
FIG. 7 is a front elevation view thereof.

**1 Claim, 7 Drawing Sheets**



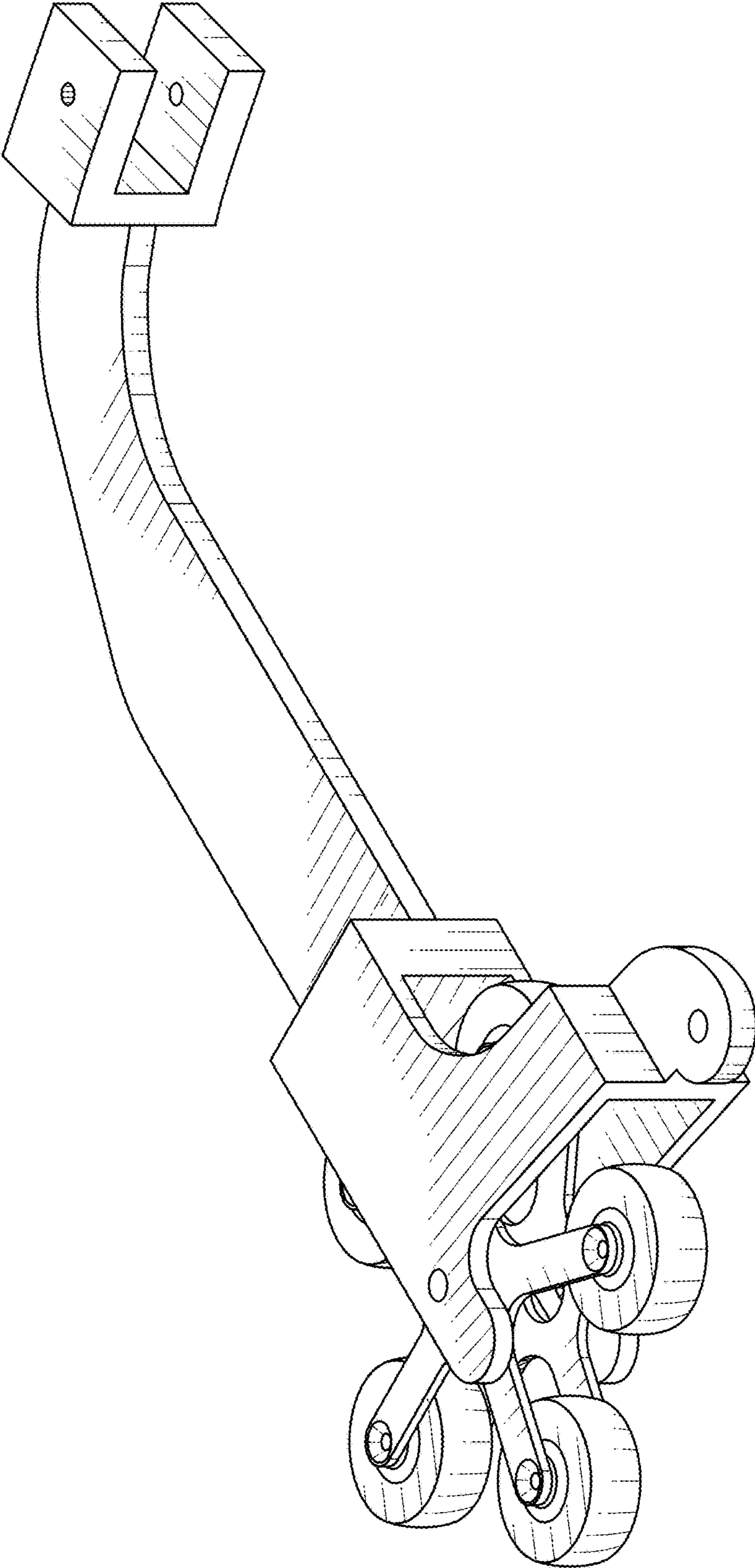


FIG. 1

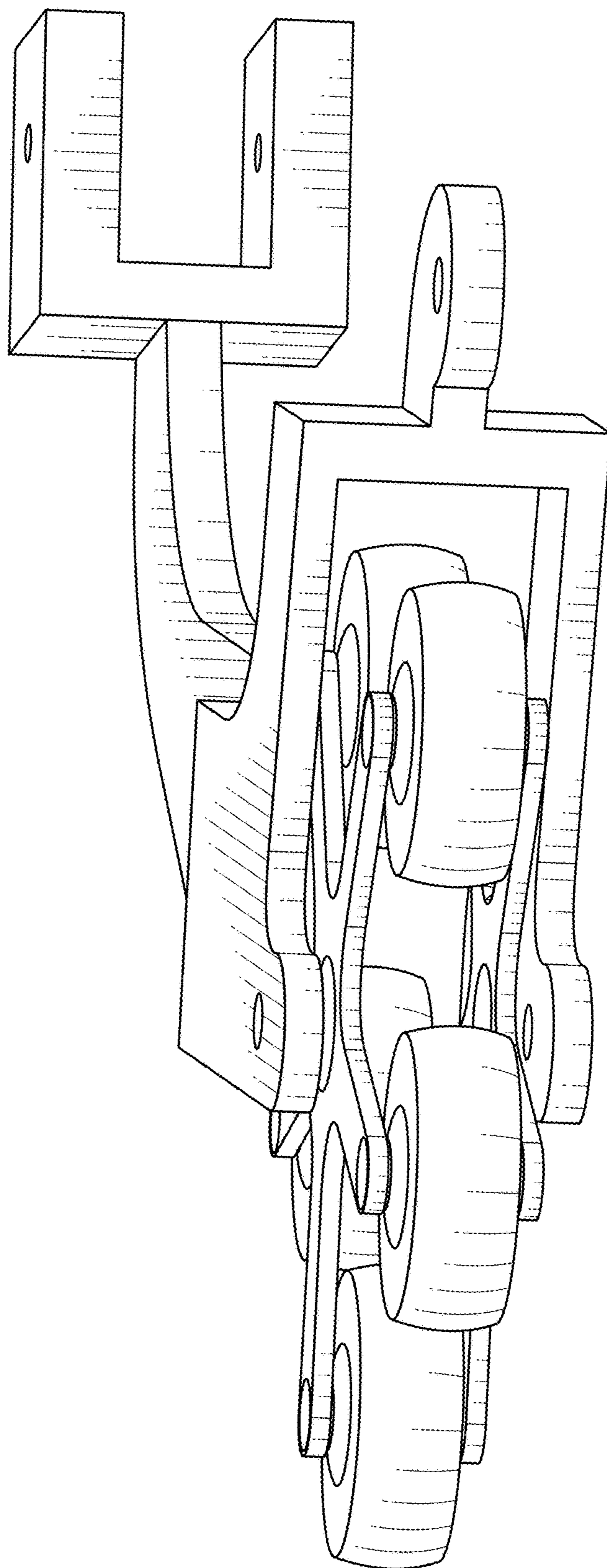


FIG. 2

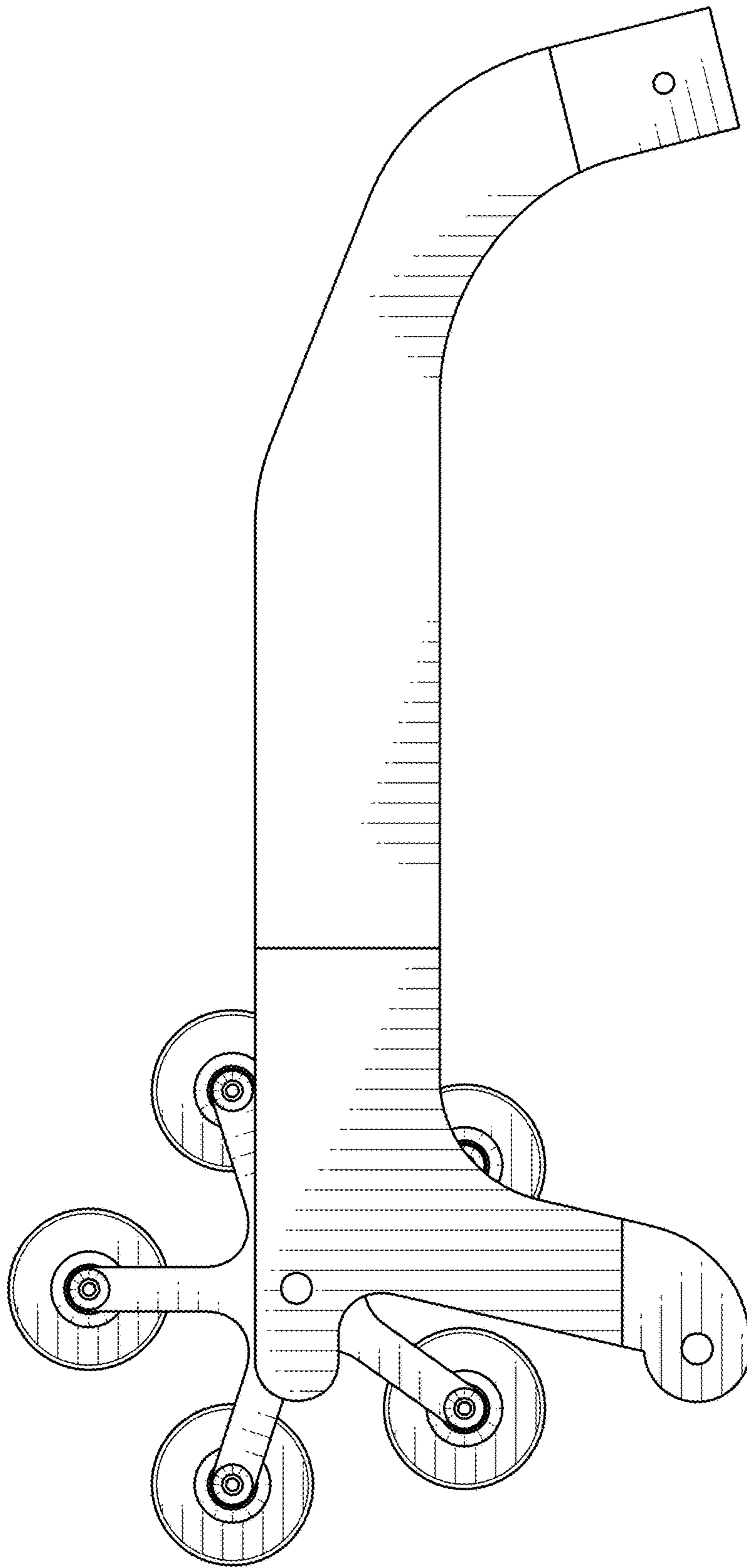


FIG. 3

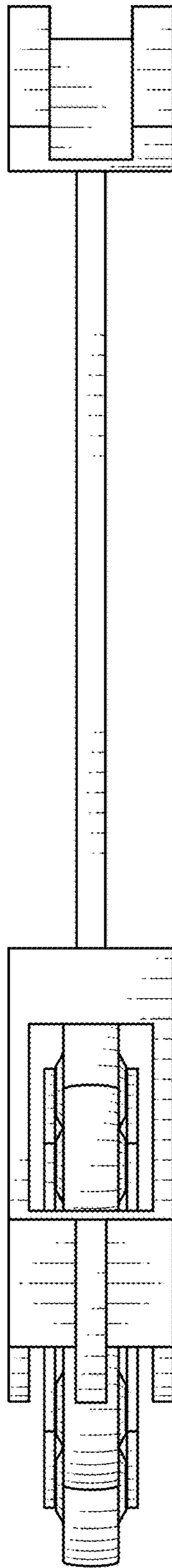


FIG. 4

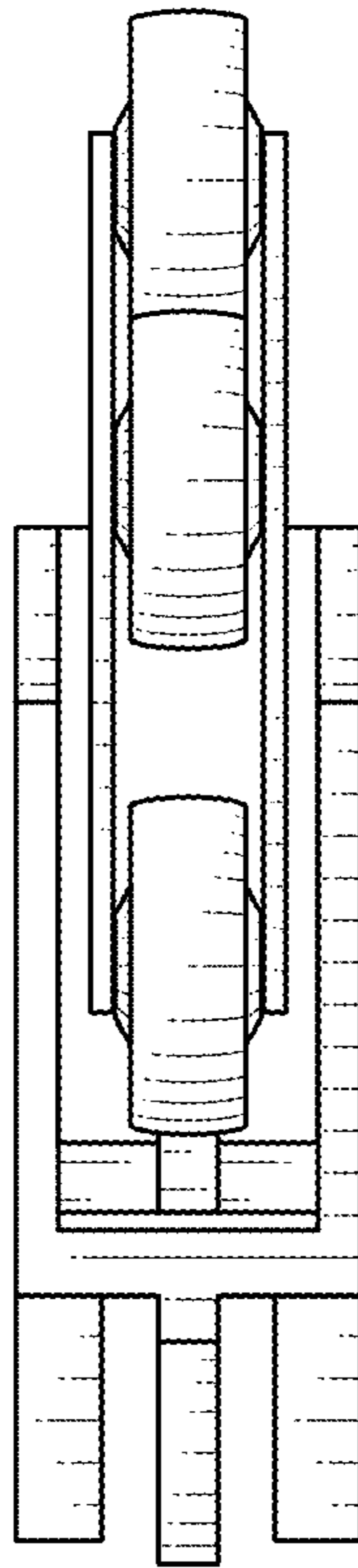


FIG. 5

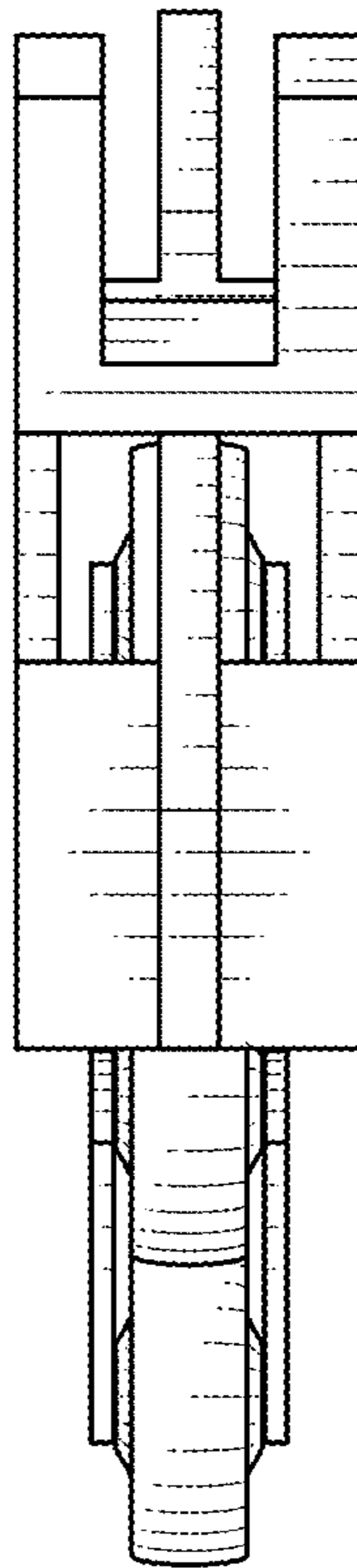


FIG. 6

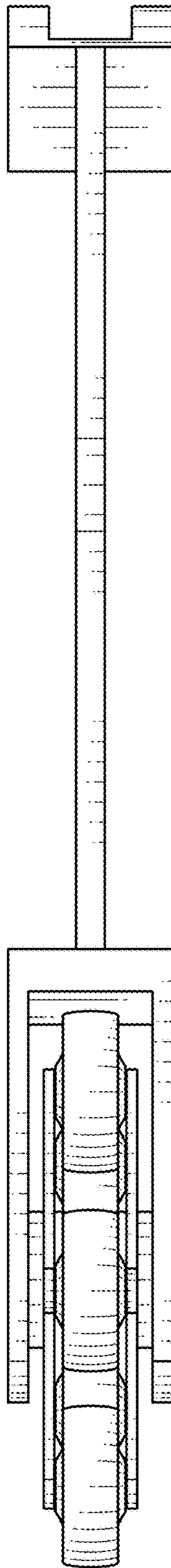


FIG. 7