



US00D814737S

(12) **United States Design Patent**
Tokutome et al.

(10) **Patent No.:** **US D814,737 S**
(45) **Date of Patent:** **** Apr. 3, 2018**

- (54) **CRANE**
- (71) Applicant: **MAEDA SEISAKUSHO CO., LTD.,**
Nagano (JP)
- (72) Inventors: **Shinya Tokutome**, Nagano (JP);
Tatsufumi Tomura, Nagano (JP);
Ryosuke Nakamura, Nagano (JP);
Yuta Nishimaki, Nagano (JP)
- (**) Term: **15 Years**
- (21) Appl. No.: **35/501,619**
- (22) Filed: **Mar. 28, 2016**
- (80) **Hague Agreement Data**
Int. Filing Date: **Mar. 28, 2016**
Int. Reg. No.: **DM/090139**
Int. Reg. Date: **Mar. 28, 2016**
Int. Reg. Pub. Date: **Sep. 30, 2016**
- (51) **LOC (11) Cl.** **12-05**
- (52) **U.S. Cl.**
USPC **D34/33**
- (58) **Field of Classification Search**
USPC D34/28, 33
CPC B66C 23/36; B66C 23/705; B66C 23/78;
B66C 23/42; B66C 23/64; B66C 23/701;
B66C 23/82; B66C 17/00
See application file for complete search history.

- (56) **References Cited**
U.S. PATENT DOCUMENTS
3,198,345 A * 8/1965 Brekelbaum B66C 23/26
212/295
D251,062 S * 2/1979 Wacht D34/34
4,688,690 A * 8/1987 Gattu B66C 23/705
212/292
D348,135 S * 6/1994 Goto D34/33
D348,967 S * 7/1994 Goto D34/33
D378,156 S * 2/1997 Chapman D34/34

- 5,642,821 A * 7/1997 Hafliger B66C 23/42
212/177
- D467,403 S * 12/2002 Aquino D34/33
- 7,506,774 B2 * 3/2009 Willim B66C 23/36
212/231
- D606,725 S * 12/2009 Laving D34/33
- D641,944 S * 7/2011 Zhou D34/33
- D647,682 S * 10/2011 Laving D34/33
- D656,291 S * 3/2012 Zhang D34/33
- D659,342 S * 5/2012 Cichetti D34/33
- D666,375 S * 8/2012 Bohnacker D34/33
- D666,784 S * 9/2012 Bohnacker D34/33
- D683,514 S * 5/2013 Guo D34/33
- D734,577 S * 7/2015 Ludescher D15/10
- D737,538 S * 8/2015 Kameyama D34/33
- D738,064 S * 9/2015 Ludescher D34/33
- D783,220 S * 4/2017 Wedl D34/33

* cited by examiner

Primary Examiner — Michael A. Pratt
(74) *Attorney, Agent, or Firm* — Buchanan Ingersoll & Rooney PC

(57) **CLAIM**

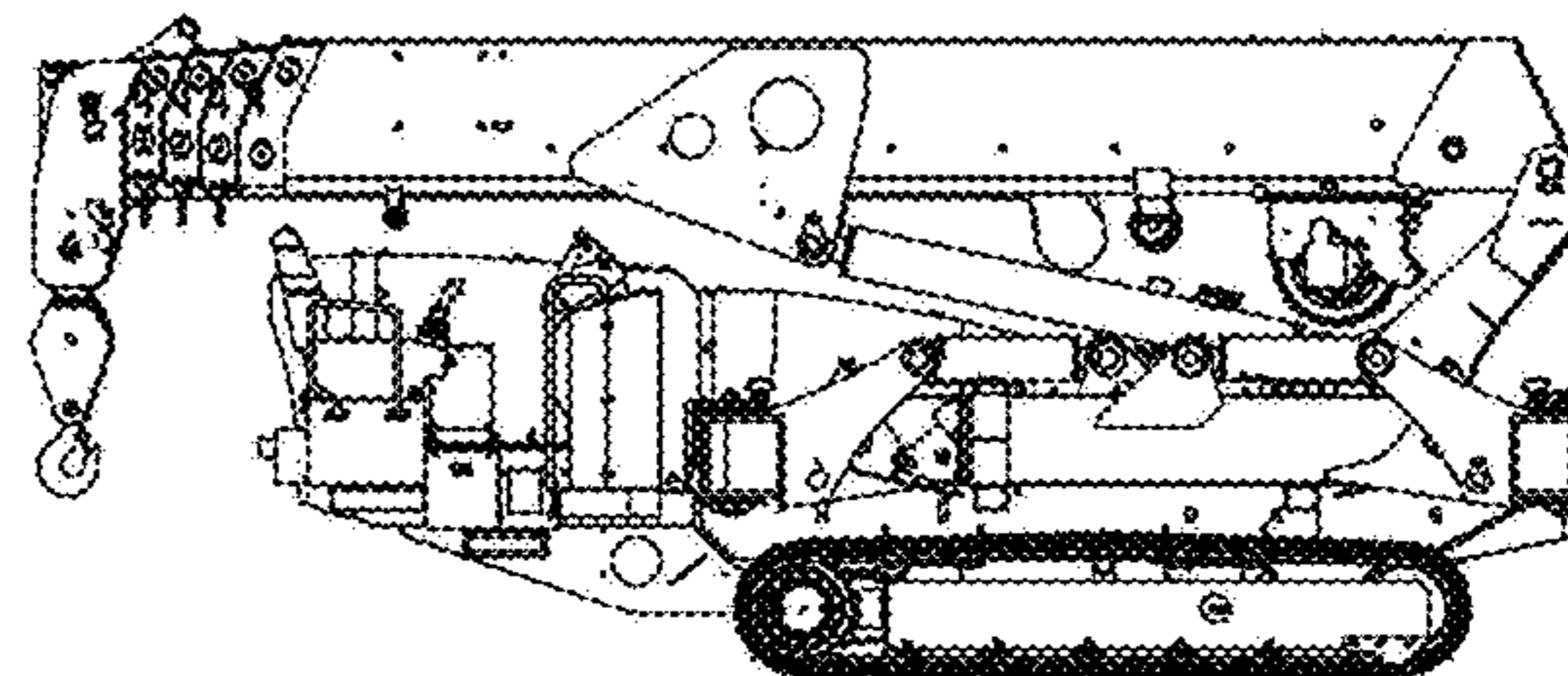
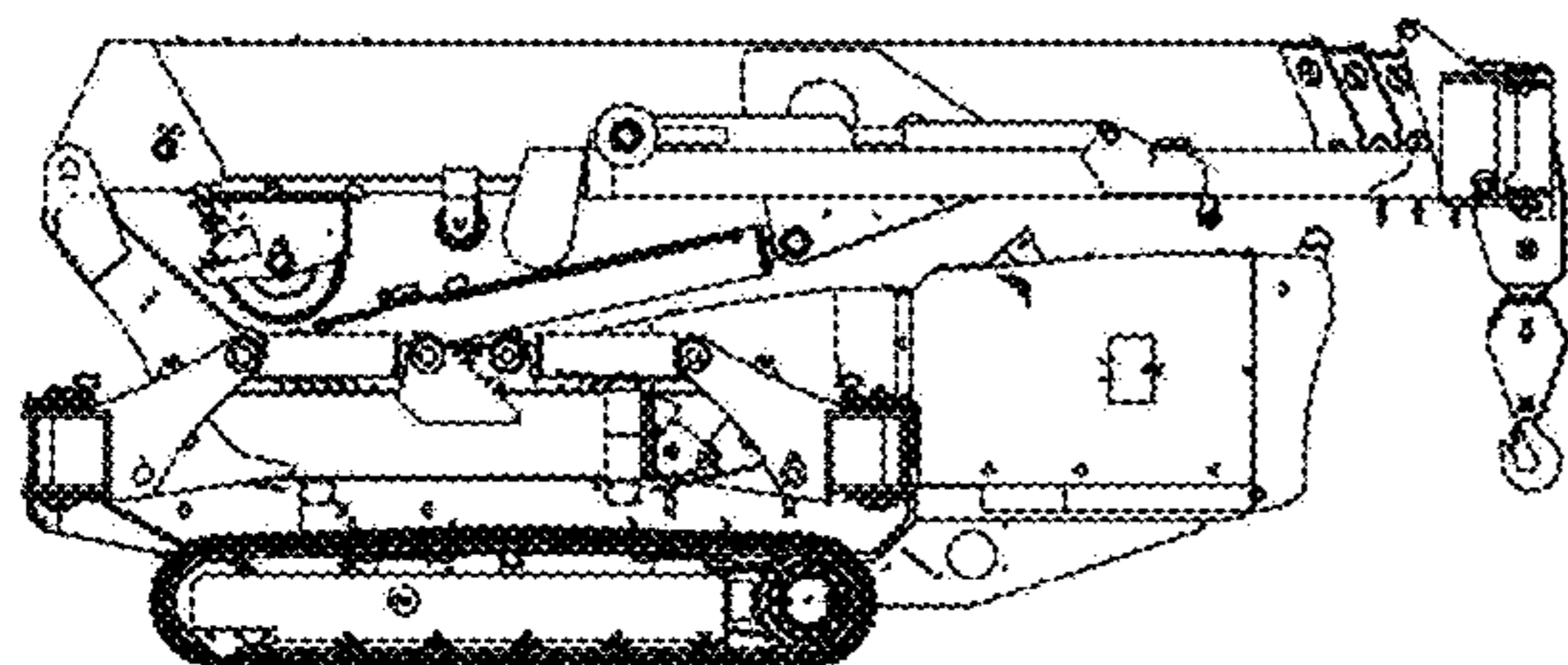
The ornamental design for a crane, as shown and described.

DESCRIPTION

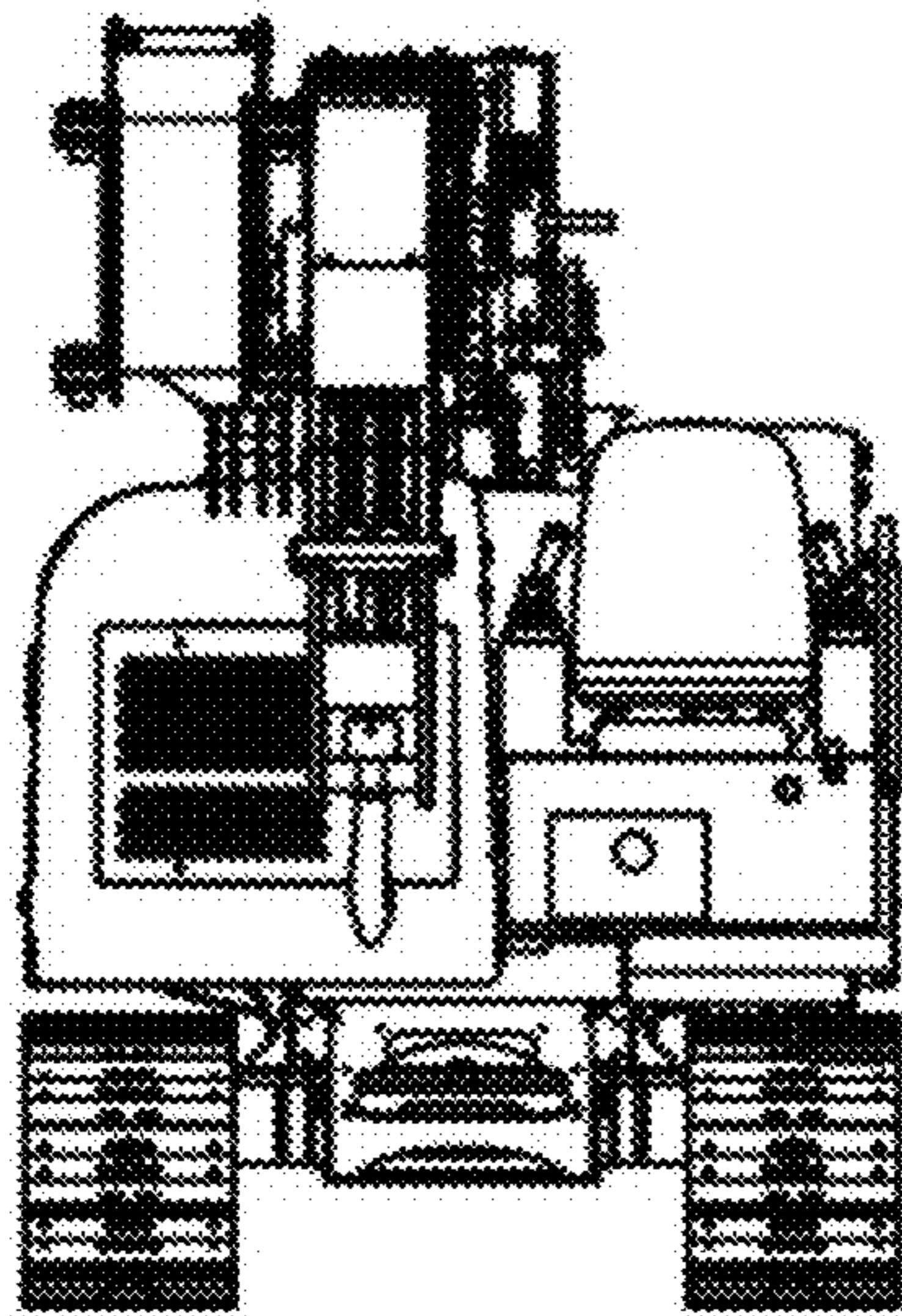
- 1.-2. Cranes
- 1.1 : Front
- 1.2 : Back
- 1.3 : Left
- 1.4 : Right
- 1.5 : Top
- 1.6 : Front view in an operative condition
- 2.1 : Front
- 2.2 : Back
- 2.3 : Left
- 2.4 : Right
- 2.5 : Top

The broken line showing in FIG. 1.6 is for the purpose of illustrating portions of the crane that form no part of the claimed design.

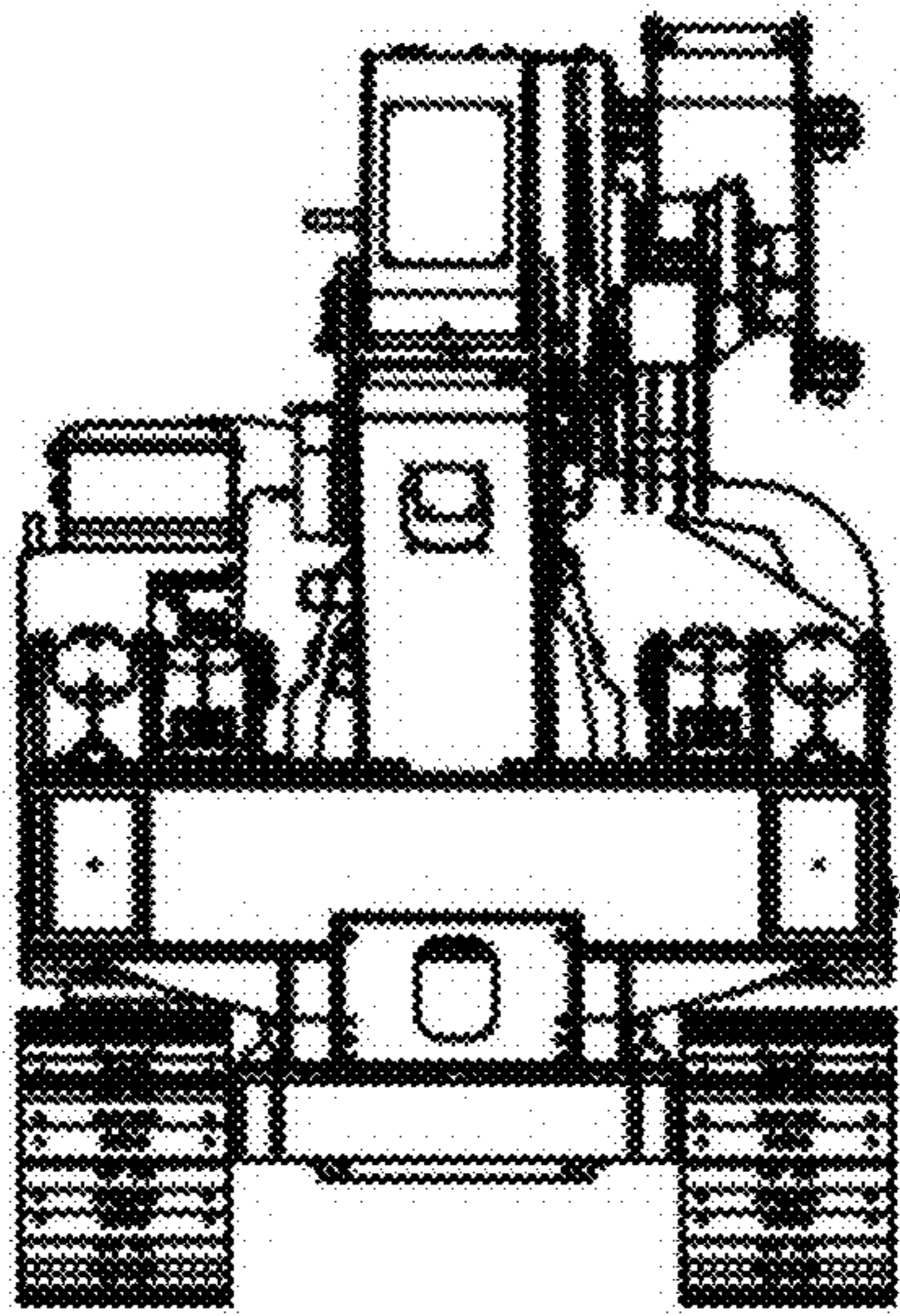
1 Claim, 11 Drawing Sheets



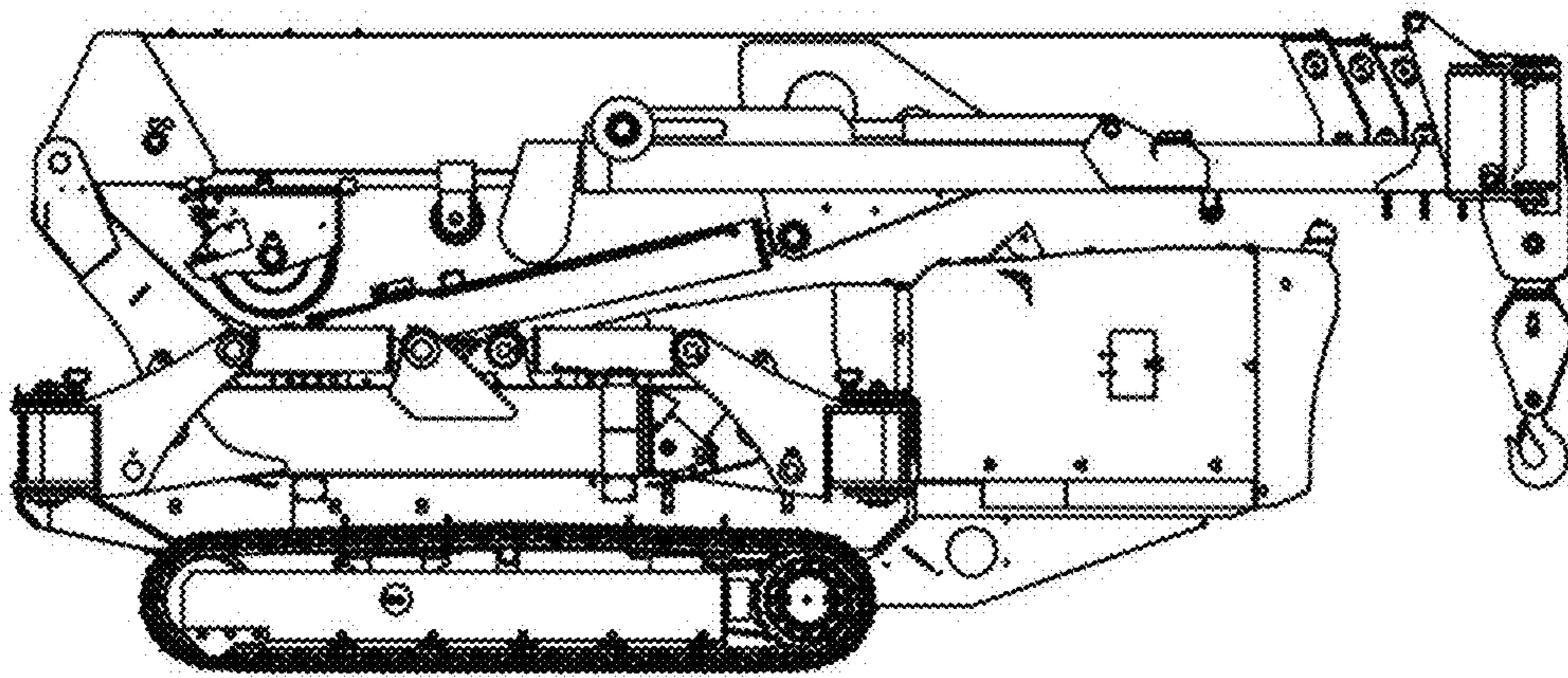
1.1



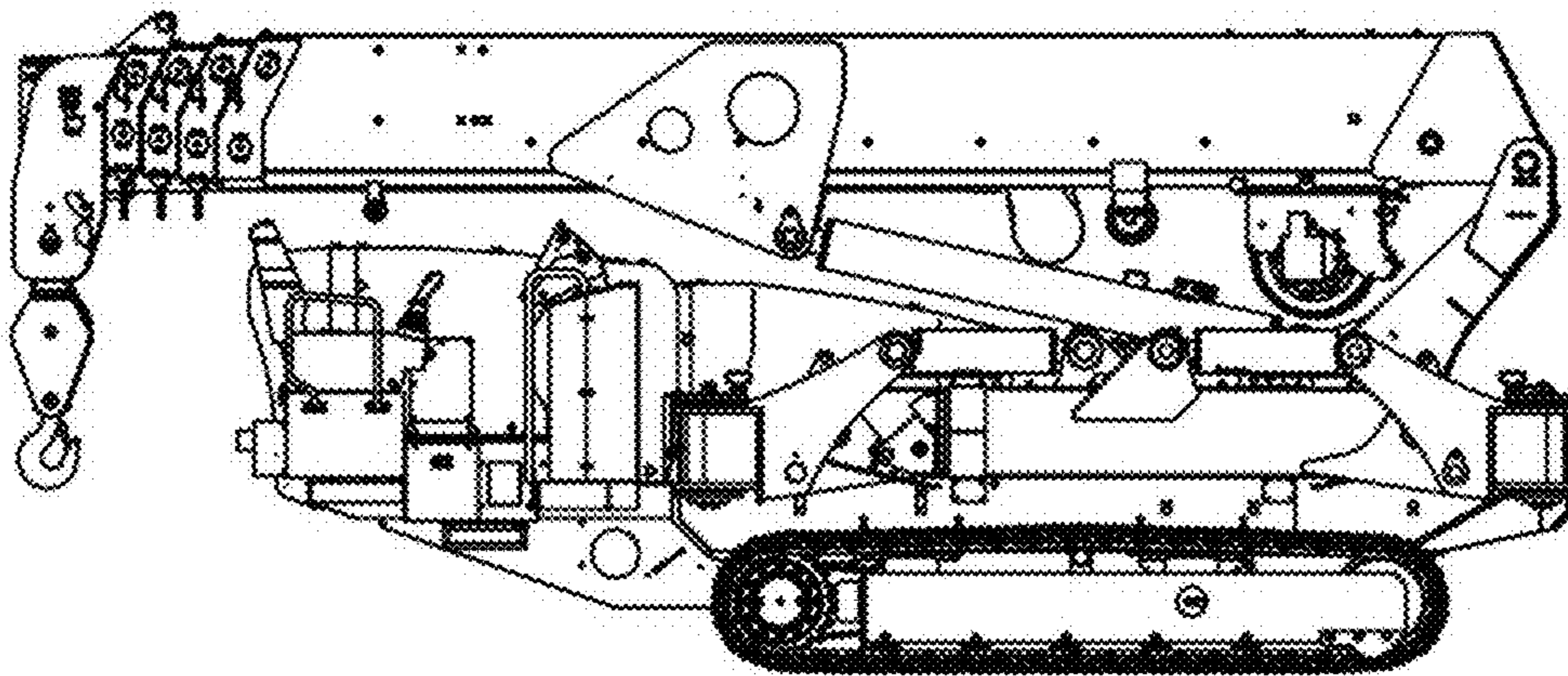
1.2



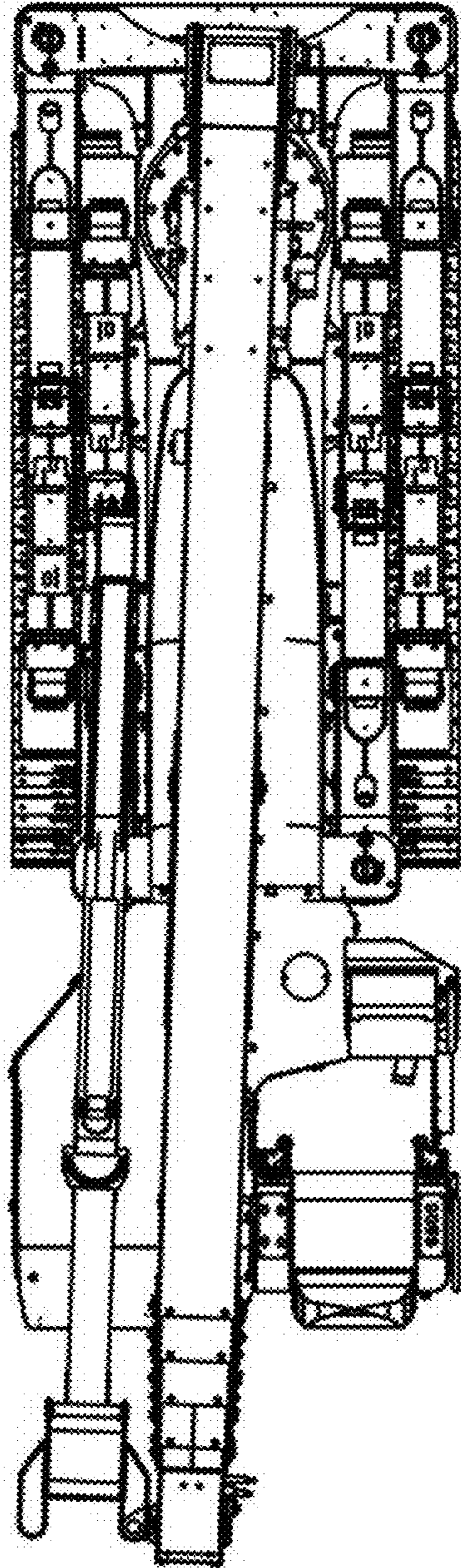
1.3



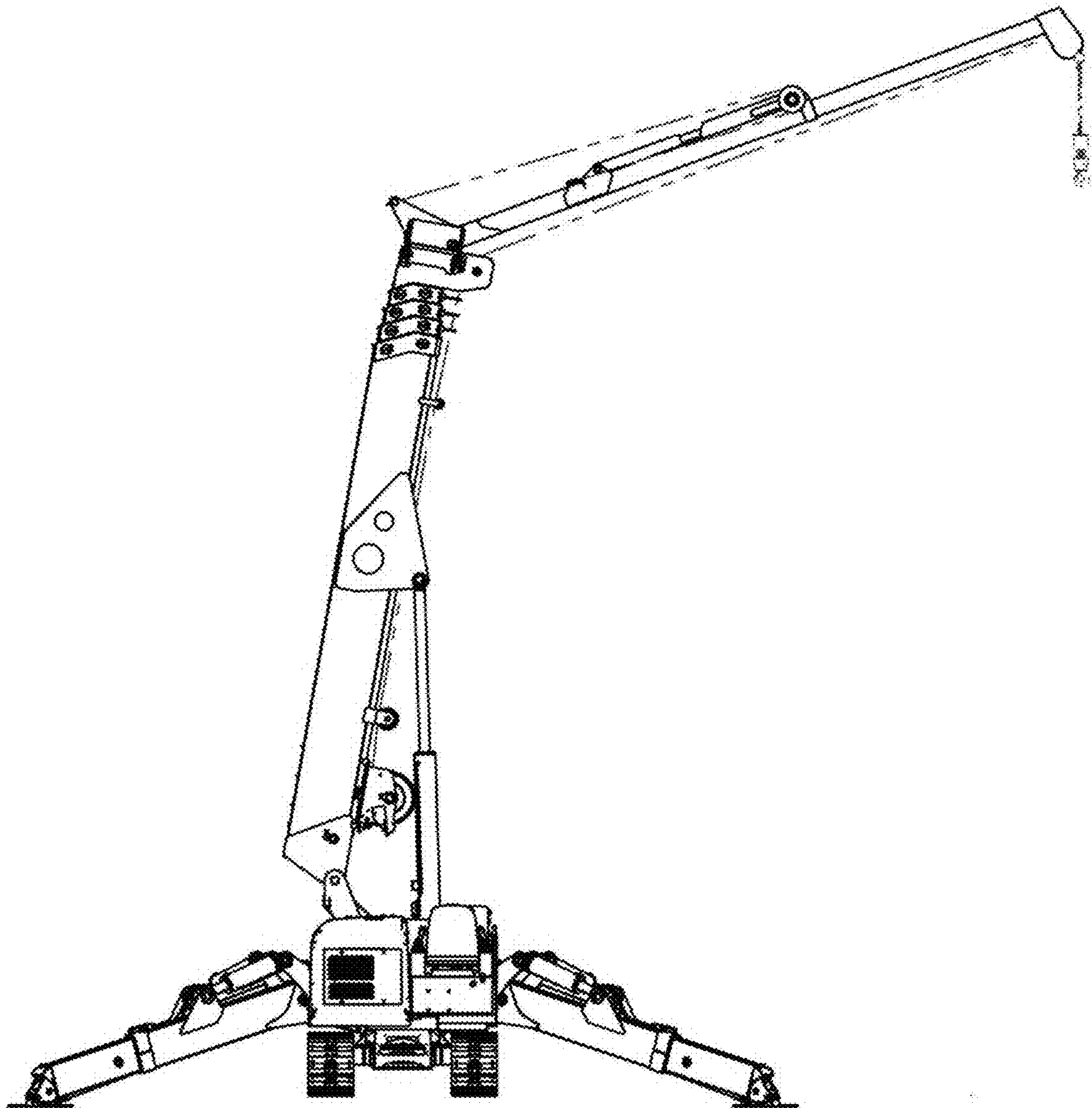
1.4



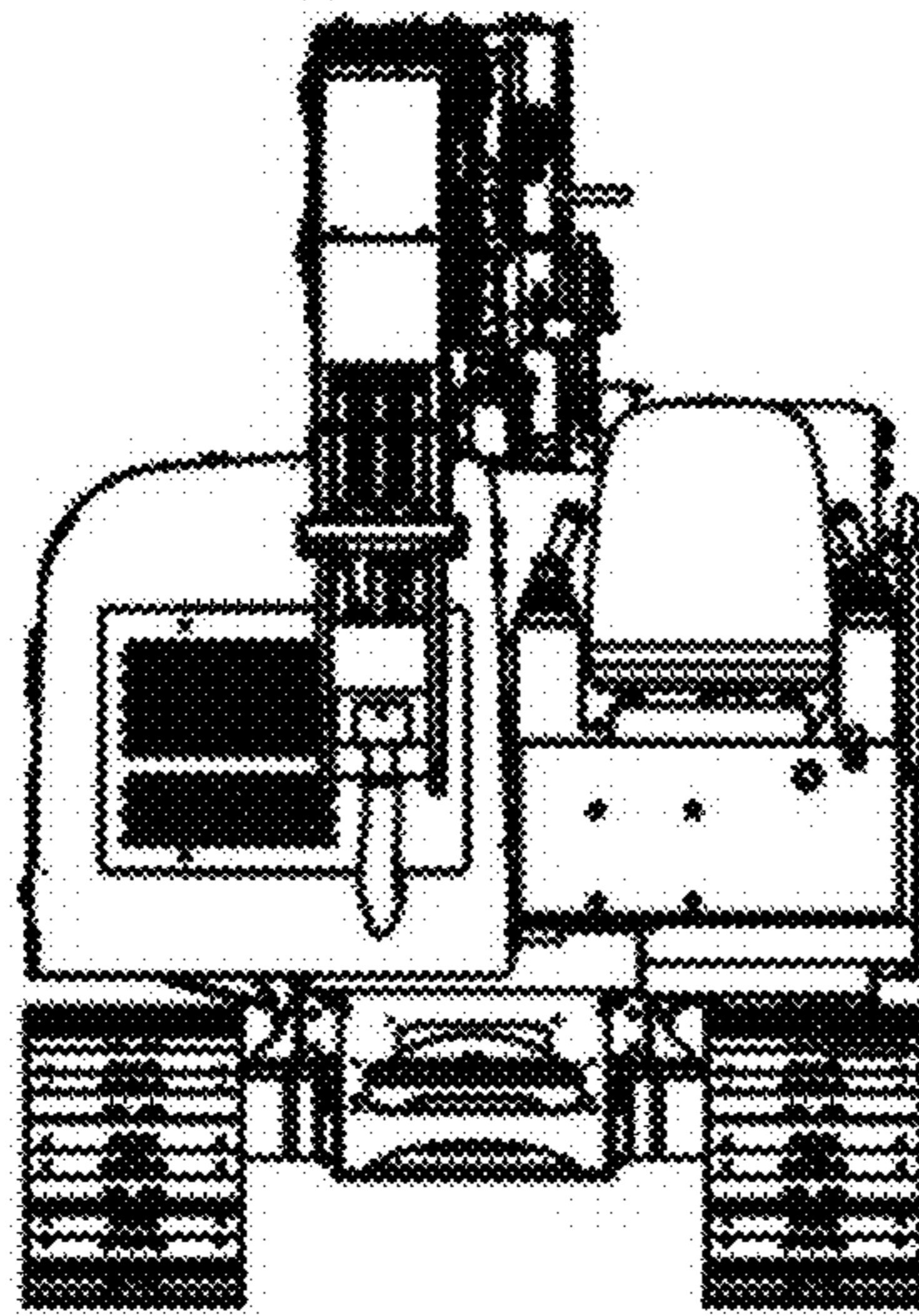
1.5



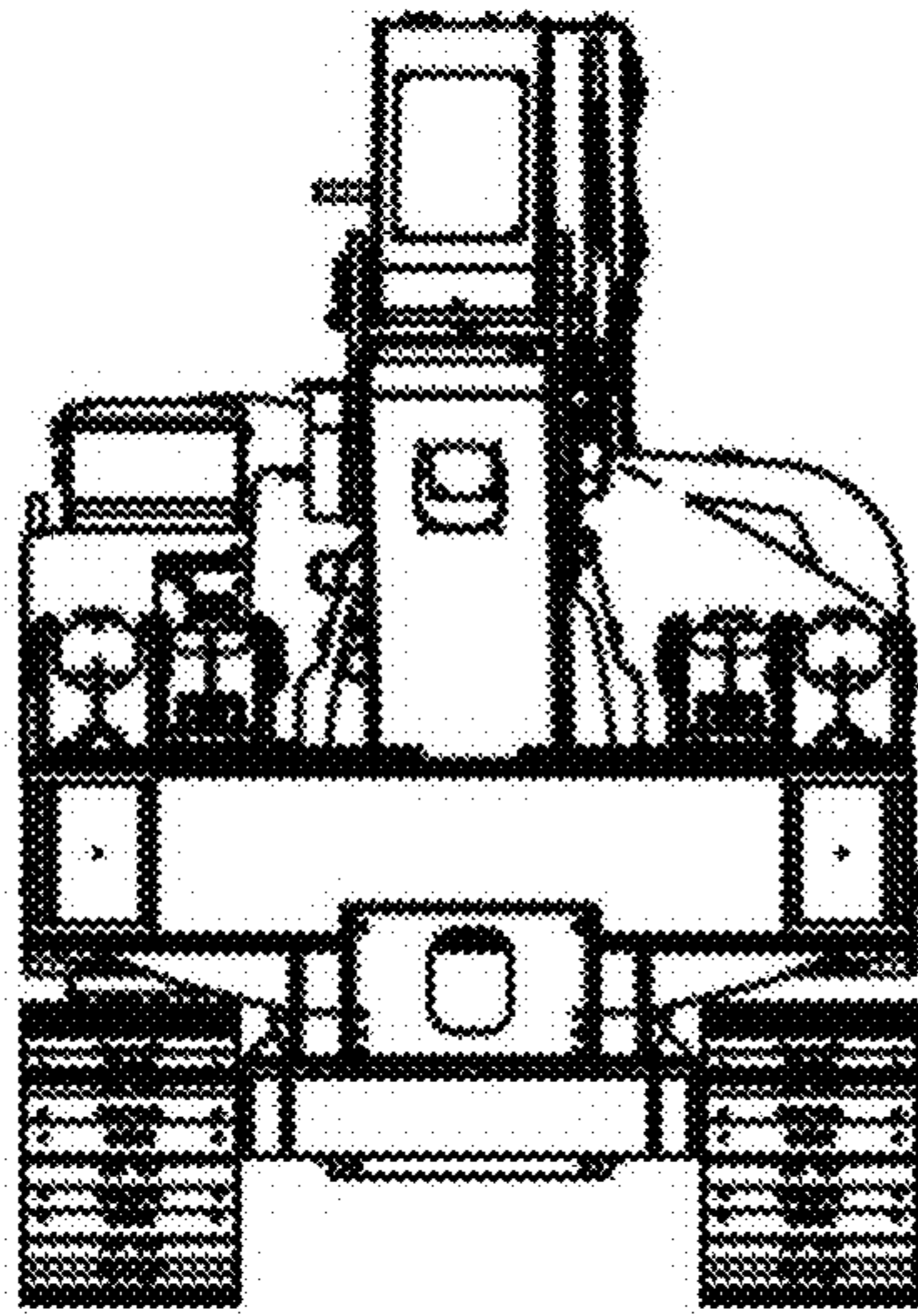
1.6



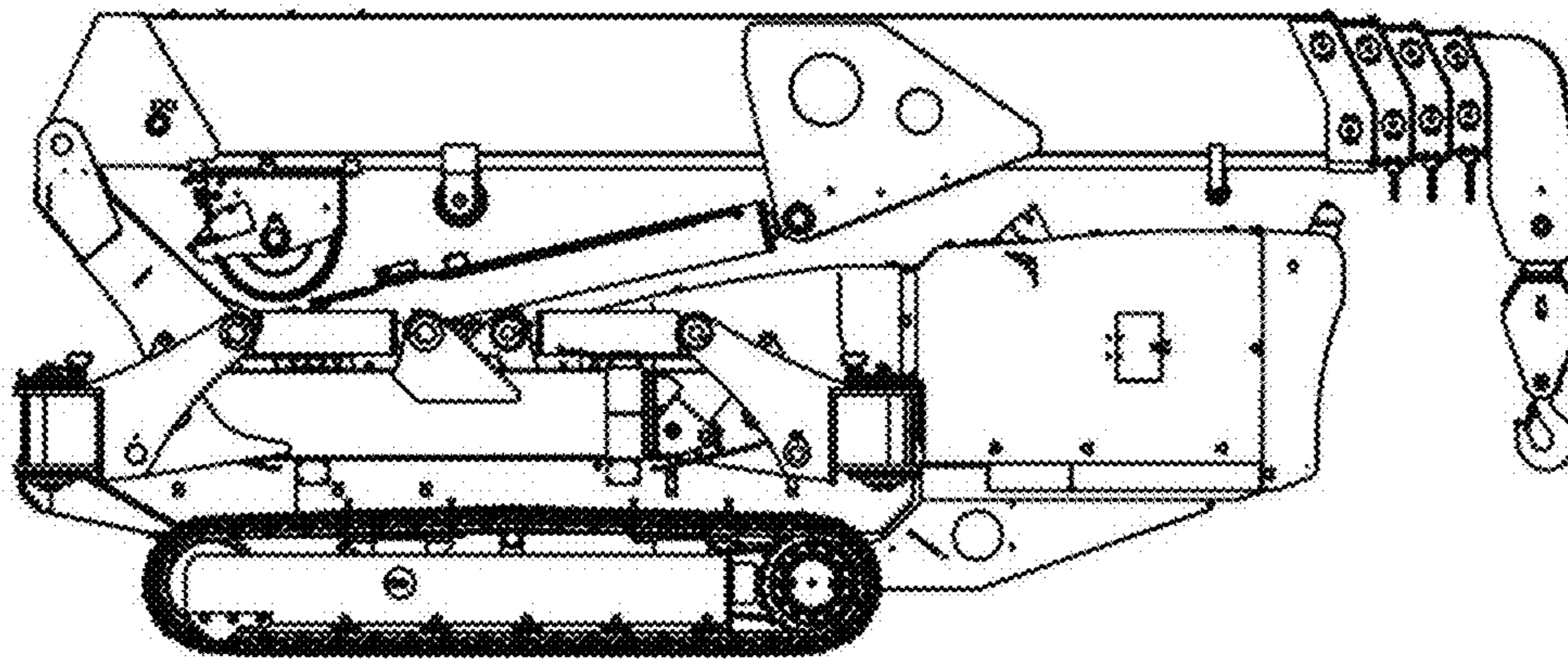
2.1



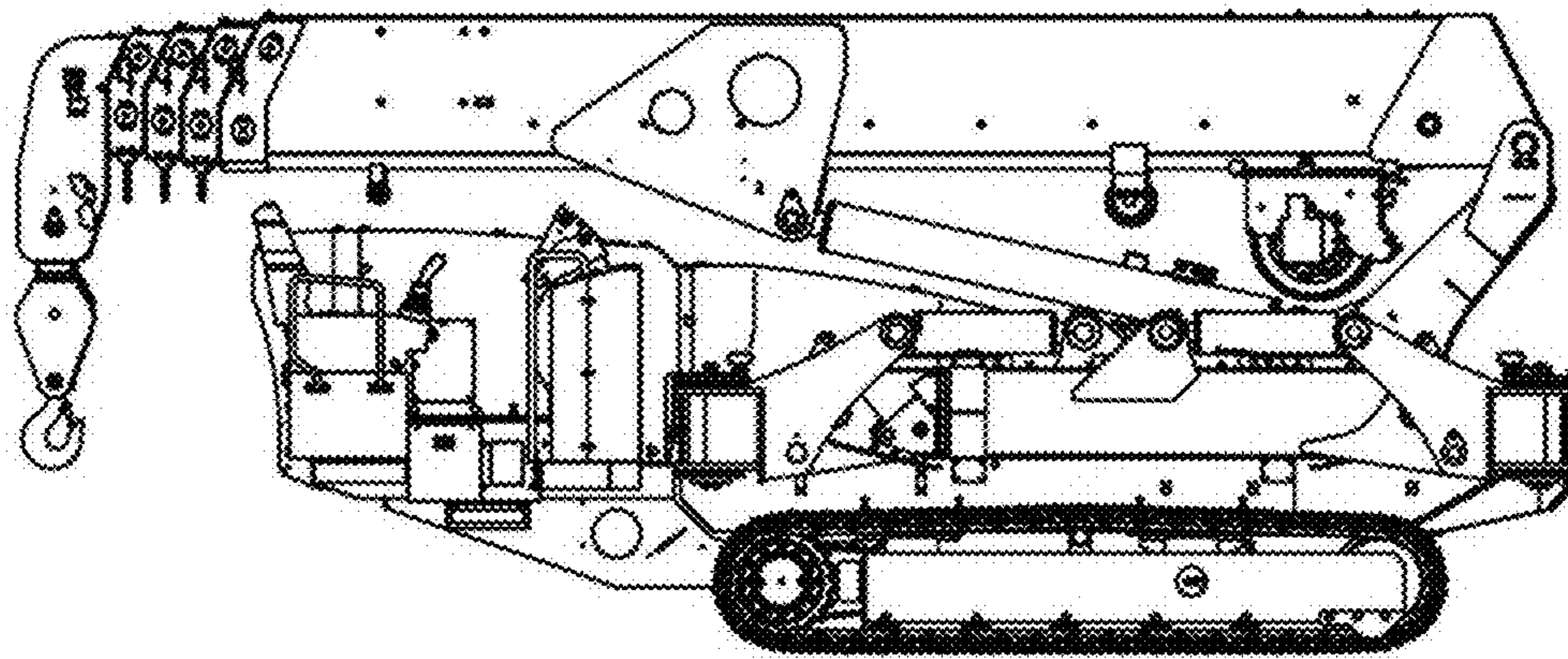
2.2



2.3



2.4



2.5

