



US00D814736S

(12) **United States Design Patent**  
**Kritzer**

(10) **Patent No.:** **US D814,736 S**

(45) **Date of Patent:** **\*\* Apr. 3, 2018**

- (54) **VEHICLE PARKING LIFT SUPPORT LEG**
- (71) Applicant: **BendPak, Inc.**, Santa Paula, CA (US)
- (72) Inventor: **Jeffrey S. Kritzer**, Moorpark, CA (US)
- (73) Assignee: **BENDPAK, INC.**, Santa Paula, CA (US)

(\*\*) Term: **15 Years**

(21) Appl. No.: **29/598,378**

(22) Filed: **Mar. 24, 2017**

(51) **LOC (11) Cl.** ..... **12-05**

(52) **U.S. Cl.**  
USPC ..... **D34/28**

(58) **Field of Classification Search**  
USPC ..... D34/28, 31, 32, 33, 34, 35, 36, 38;  
414/659, 546, 545, 540, 539, 523, 462;  
254/93 R, 124, 45, 122, 126, 134;  
187/219; 182/16, 149; 108/50.11, 4, 20;  
296/165, 26.07  
CPC ..... E04H 6/06; B66F 7/04; B66F 7/08  
See application file for complete search history.

(56) **References Cited**

**U.S. PATENT DOCUMENTS**

- 4,858,888 A \* 8/1989 Cruz ..... B66F 7/065  
254/122
- 4,899,987 A \* 2/1990 Craig ..... B66F 7/065  
254/122
- 5,016,858 A \* 5/1991 Mitchell ..... B66F 7/0625  
254/122
- 5,967,494 A \* 10/1999 Fiorese ..... B66F 7/08  
254/122
- D672,523 S \* 12/2012 Taylor ..... D34/28
- 2001/0025952 A1 \* 10/2001 Wanner ..... B66F 7/065  
254/124

- 2010/0012909 A1 \* 1/2010 Lee ..... B66F 7/065  
254/93 R
- 2010/0243973 A1 \* 9/2010 Deuring ..... B66F 3/22  
254/122
- 2015/0014609 A1 \* 1/2015 Mohr ..... B66F 7/065  
254/122

**OTHER PUBLICATIONS**

Scissor Parking Lift, Lianhai Parking, <http://www.lianhaiparking.com/parking-lift/scissor-parking-lift/>.  
Tilt Parking Lift, Lianhai Parking, <http://www.lianhaiparking.com/parking-lift/tilt-parking-lift/>.

\* cited by examiner

*Primary Examiner* — Cynthia Ramirez  
*Assistant Examiner* — Gino Colan  
(74) *Attorney, Agent, or Firm* — Erickson Kernell IP, LLC

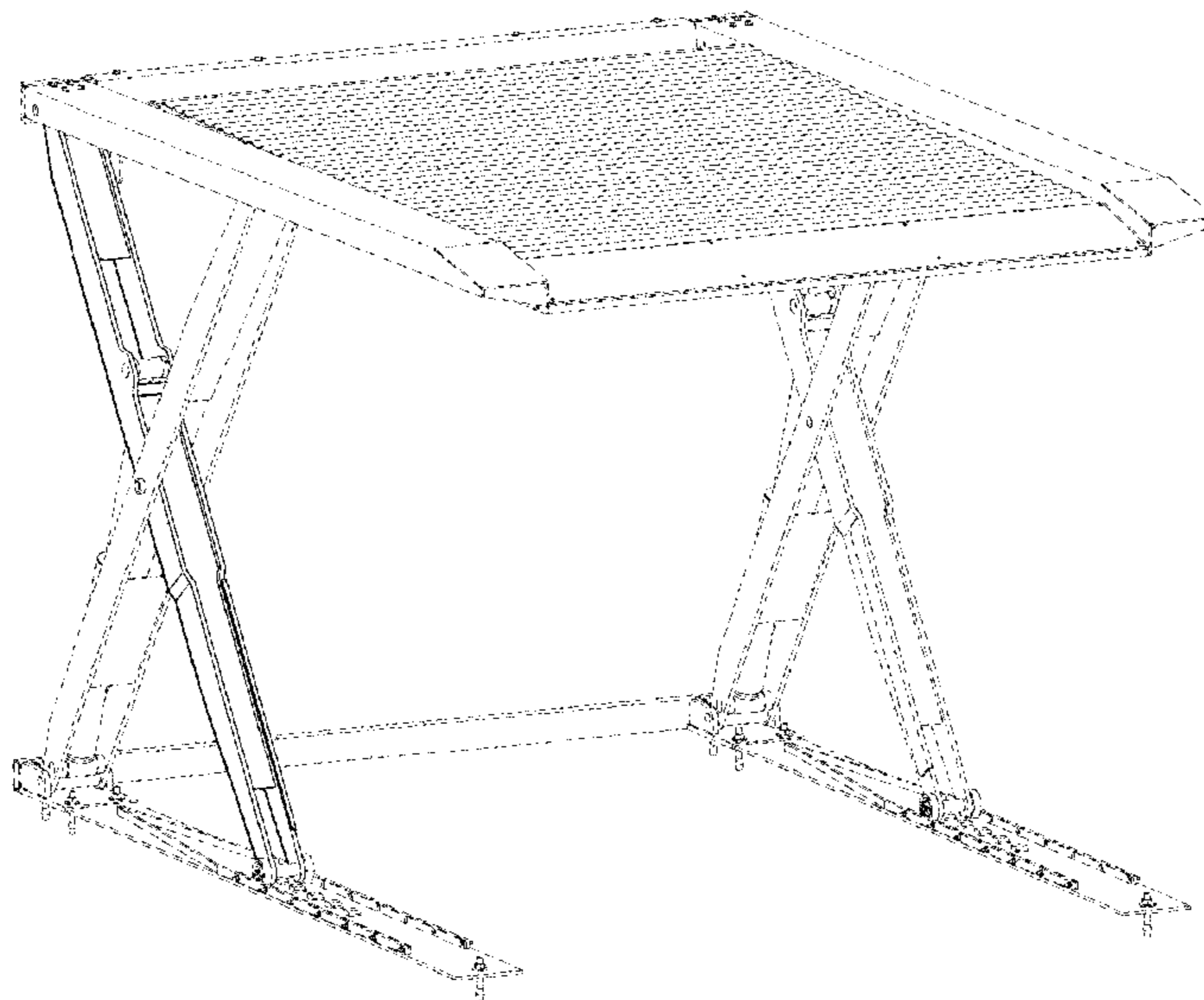
(57) **CLAIM**

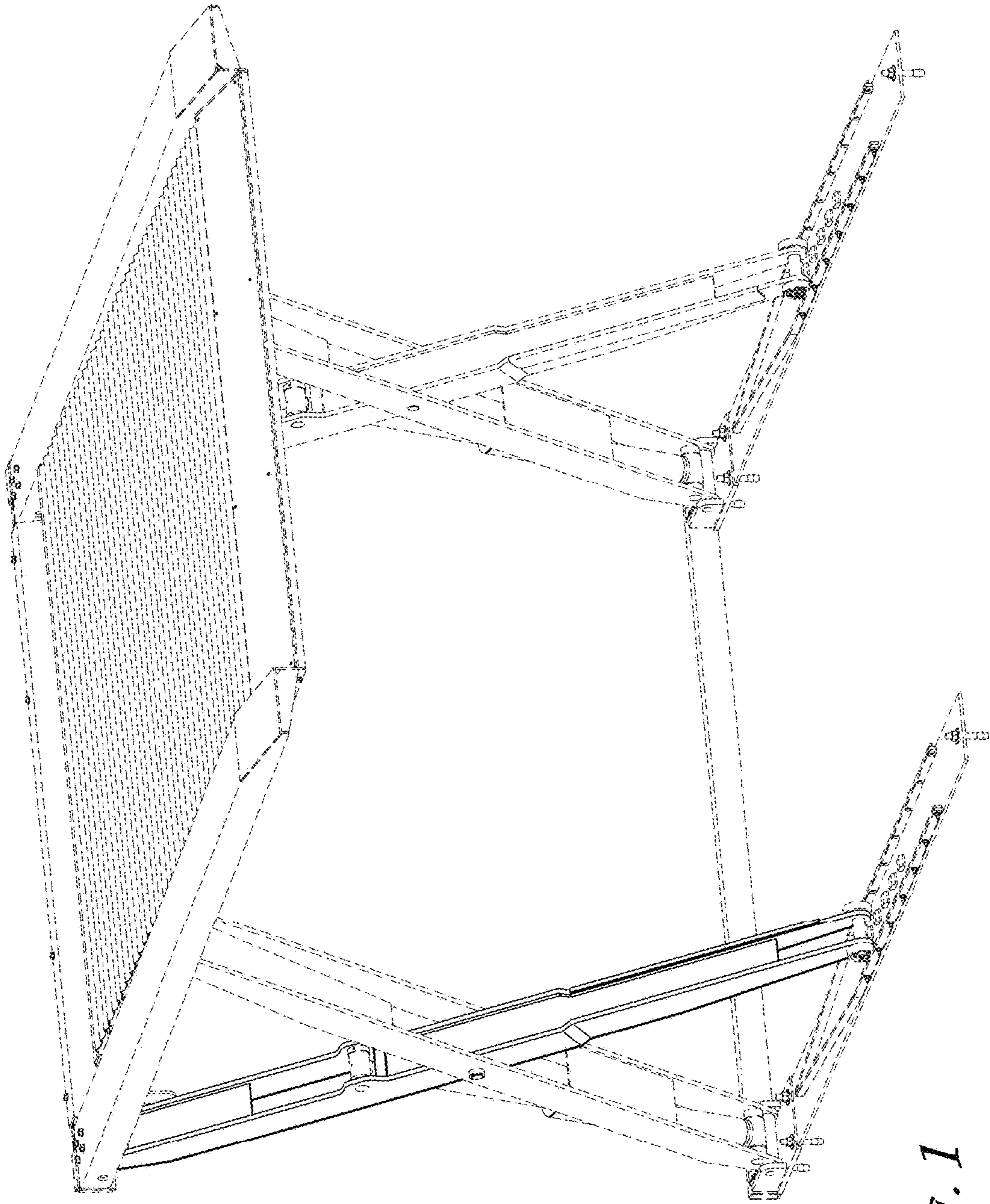
The ornamental design for a vehicle parking lift support leg, as shown and described.

**DESCRIPTION**

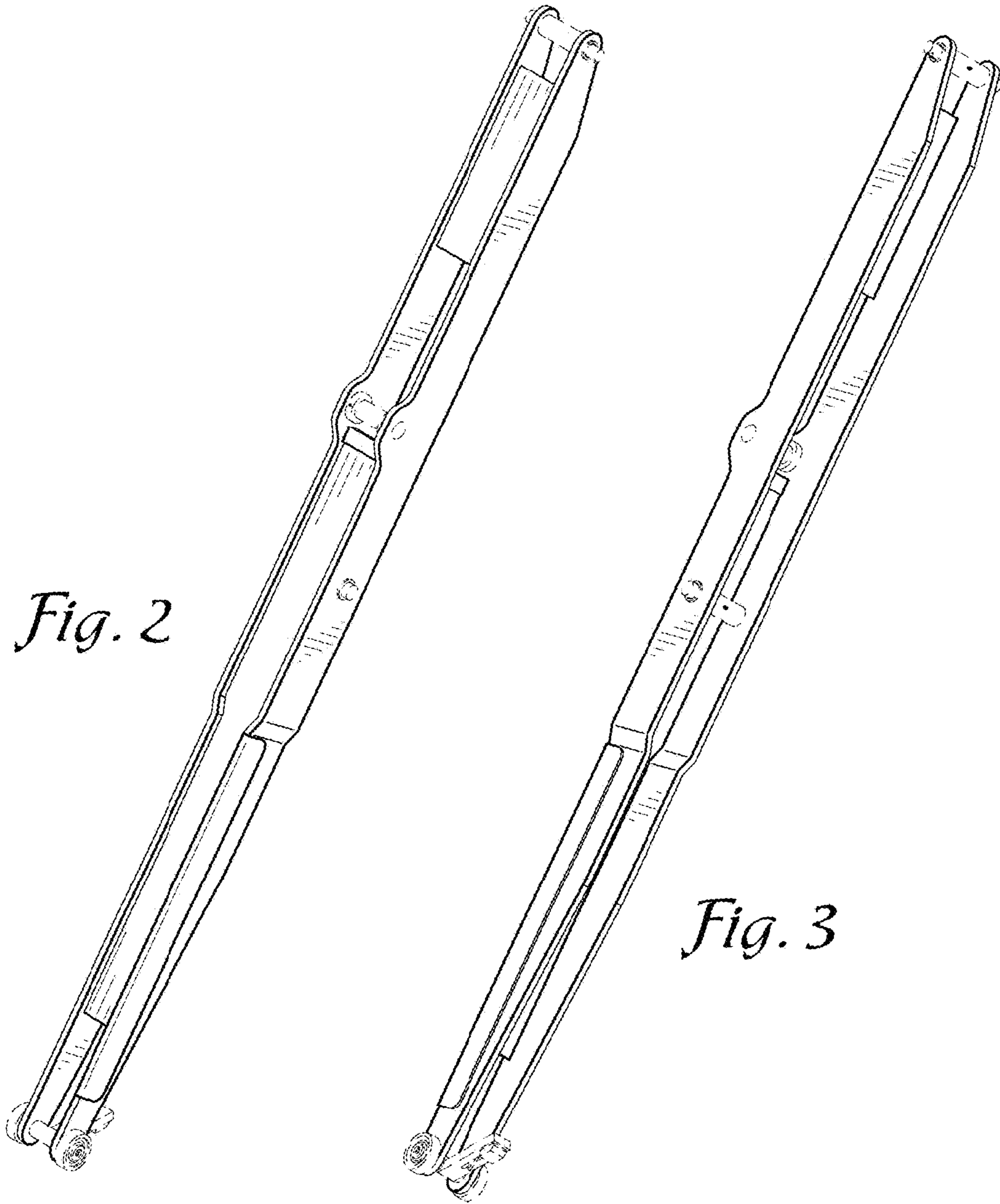
FIG. 1 is a perspective view of a vehicle parking lift support leg showing my new design, incorporated into a vehicle parking lift;  
FIG. 2 is a front, perspective view thereof;  
FIG. 3 is a rear, perspective view thereof;  
FIG. 4 is a left side elevational view thereof;  
FIG. 5 is a front elevational view thereof;  
FIG. 6 is a right side elevational view thereof;  
FIG. 7 is a rear elevational view thereof;  
FIG. 8 is top plan view thereof; and,  
FIG. 9 is a bottom plan view thereof.  
The broken lines shown in the figures are for the purpose of illustrating environment and form no part of the claimed design.

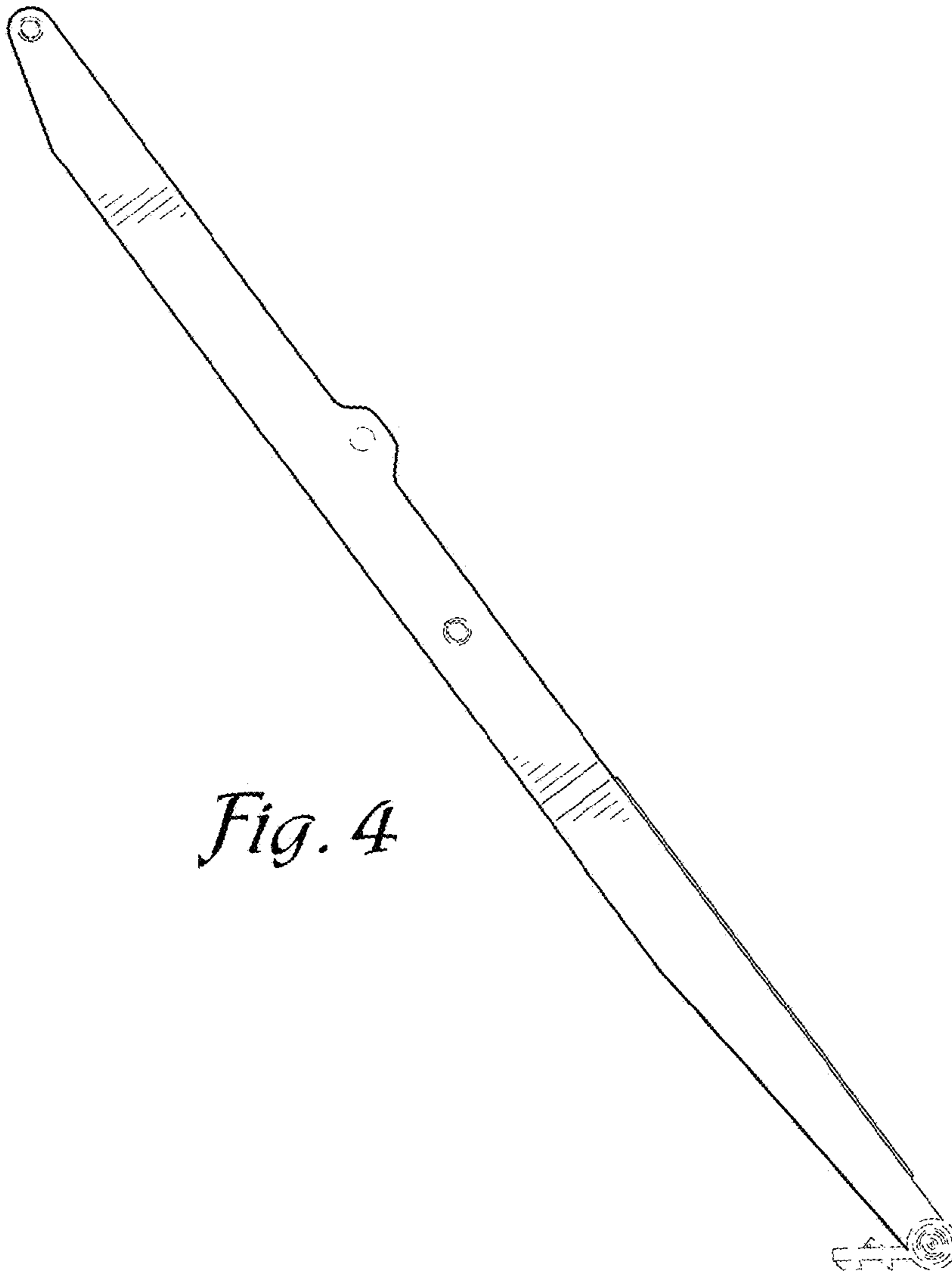
**1 Claim, 5 Drawing Sheets**



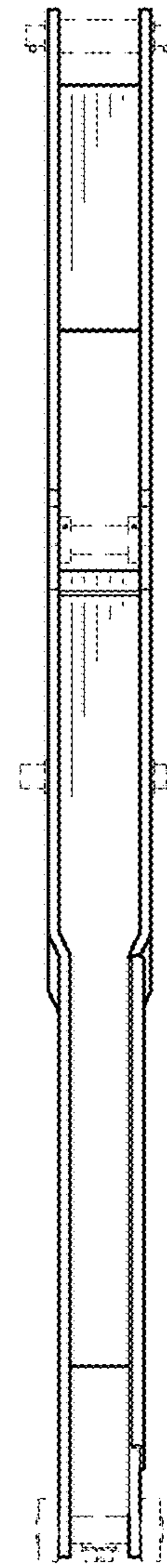


*Fig. 1*

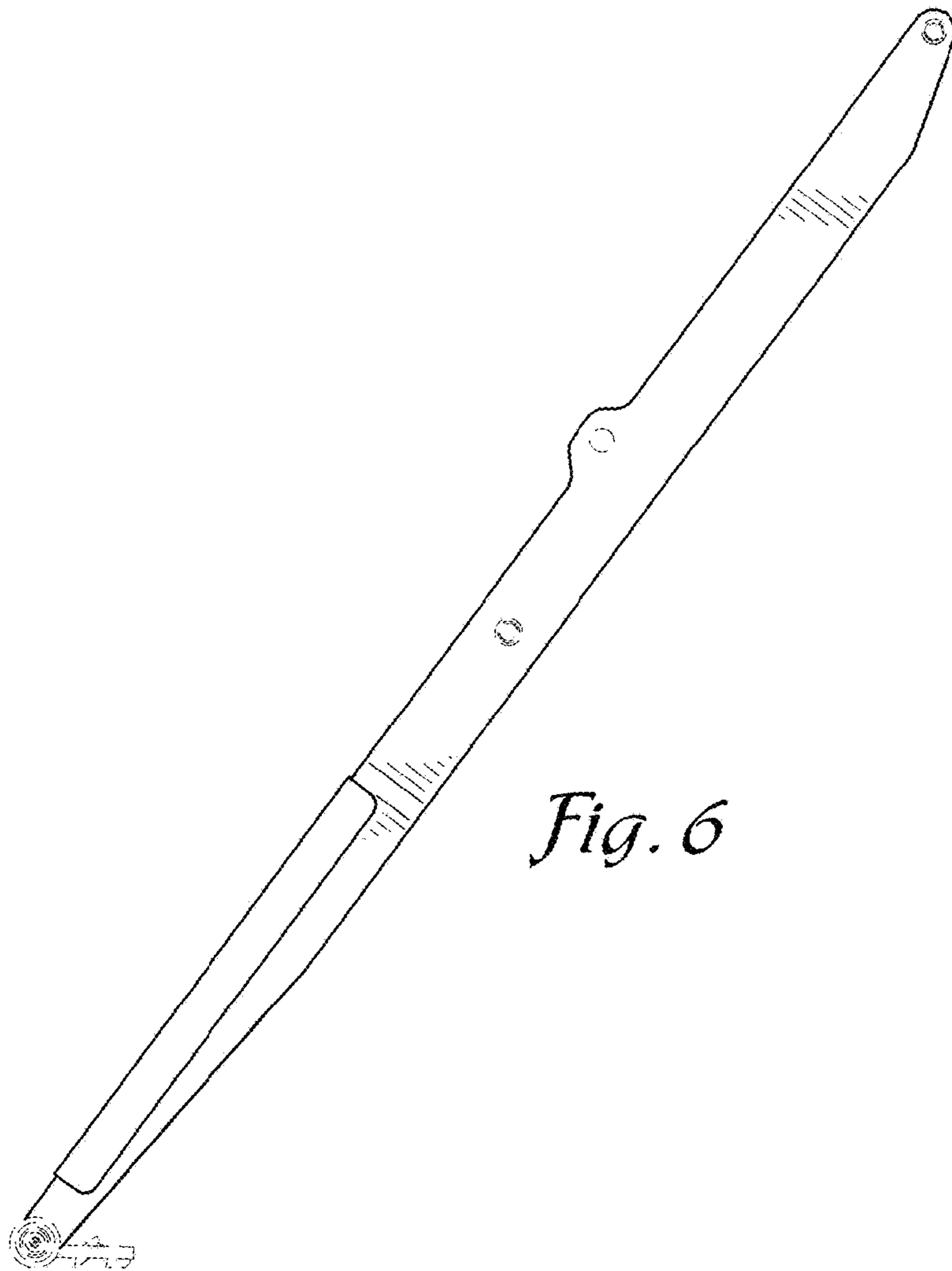




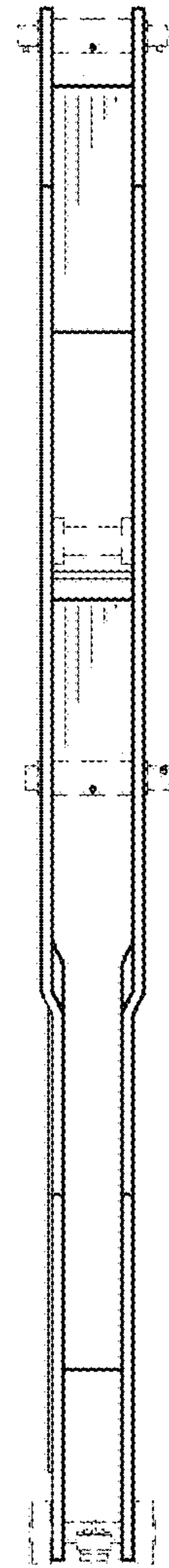
*Fig. 4*



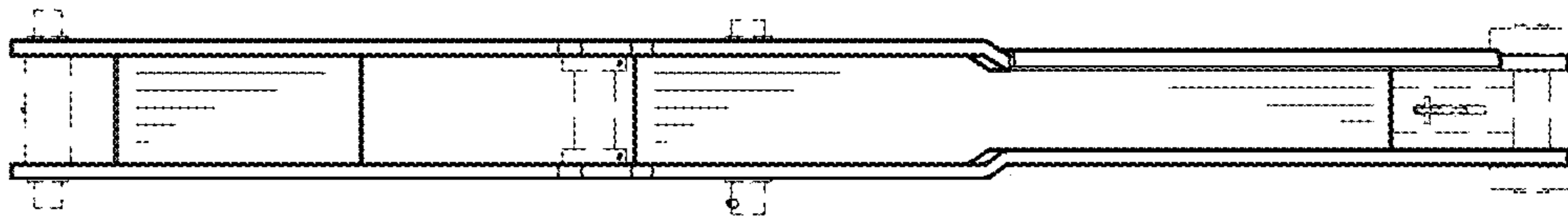
*Fig. 5*



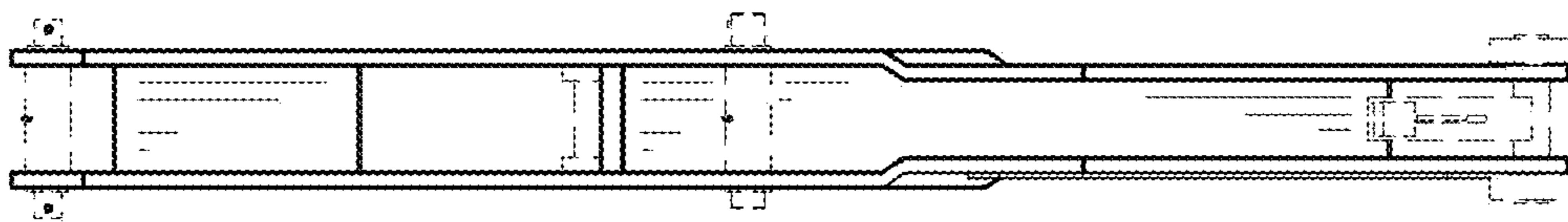
*Fig. 6*



*Fig. 7*



*Fig. 8*



*Fig. 9*