



US00D814735S

(12) **United States Design Patent**
Rockwell et al.

(10) **Patent No.:** **US D814,735 S**

(45) **Date of Patent:** **** Apr. 3, 2018**

(54) **CART**

(71) Applicant: **Knoll, Inc.**, East Greenville, PA (US)

(72) Inventors: **David Rockwell**, New York, NY (US);
Barry Richards, New York, NY (US)

(73) Assignee: **Knoll, Inc.**, East Greenville, PA (US)

(**) Term: **15 Years**

(21) Appl. No.: **29/563,698**

(22) Filed: **May 6, 2016**

(51) **LOC (11) Cl.** **12-02**

(52) **U.S. Cl.**
USPC **D34/21**

(58) **Field of Classification Search**

USPC D34/12-27; D6/675, 675.2, 675.1
CPC A47B 17/04; A47B 45/00; A47B 47/03;
B62B 3/02; B62B 3/002; B62B 3/006;
B62B 3/10

See application file for complete search history.

(56) **References Cited**

U.S. PATENT DOCUMENTS

D89,005 S * 1/1933 Bales D34/21
D212,875 S * 12/1968 Ziskal D34/20
D273,337 S * 4/1984 Semerjian D34/21
D355,873 S * 2/1995 Mathews D12/129

D357,781 S 4/1995 Crinion
D404,873 S * 1/1999 Simons D34/19
D493,019 S 7/2004 Lovegrove et al.
6,767,019 B2 7/2004 van Hekken
D510,168 S 9/2005 Lovegrove et al.
D792,048 S * 7/2017 Kitajima D34/19

* cited by examiner

Primary Examiner — Cynthia Ramirez

(74) *Attorney, Agent, or Firm* — Buchanan Ingersoll & Rooney PC

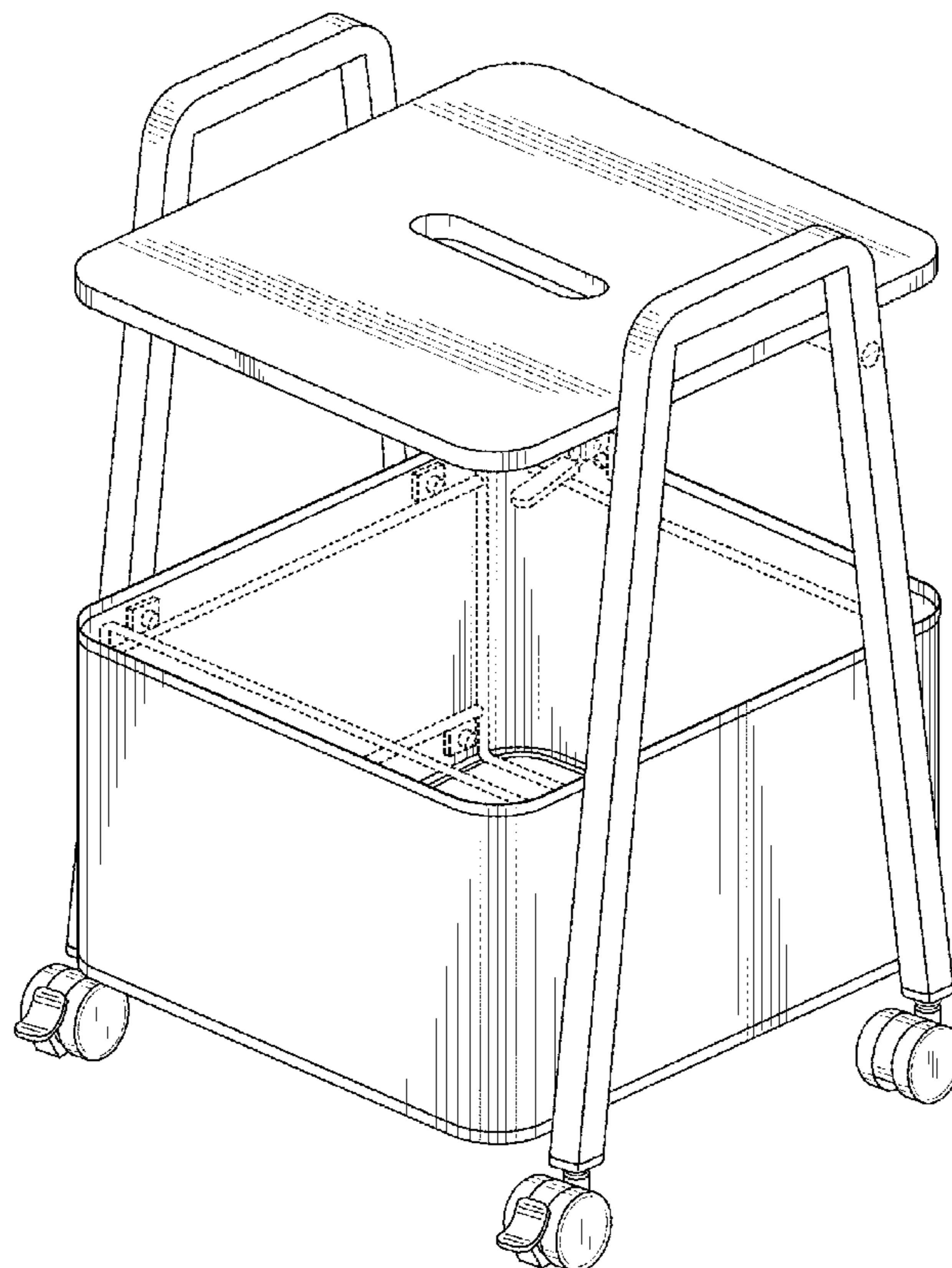
(57) **CLAIM**

The ornamental design for a cart, as shown and described.

DESCRIPTION

FIG. 1 is a perspective view of a cart showing our new design;
FIG. 2 is a front elevational view thereof;
FIG. 3 is a rear elevational view thereof;
FIG. 4 is a top plan view thereof;
FIG. 5 is a bottom plan view thereof;
FIG. 6 is a left side elevational view thereof; and,
FIG. 7 is a right side elevational view thereof.
The broken lines shown in the drawing Figures are for the purpose of illustrating portions of the cart and form no part of the claimed design.

1 Claim, 4 Drawing Sheets



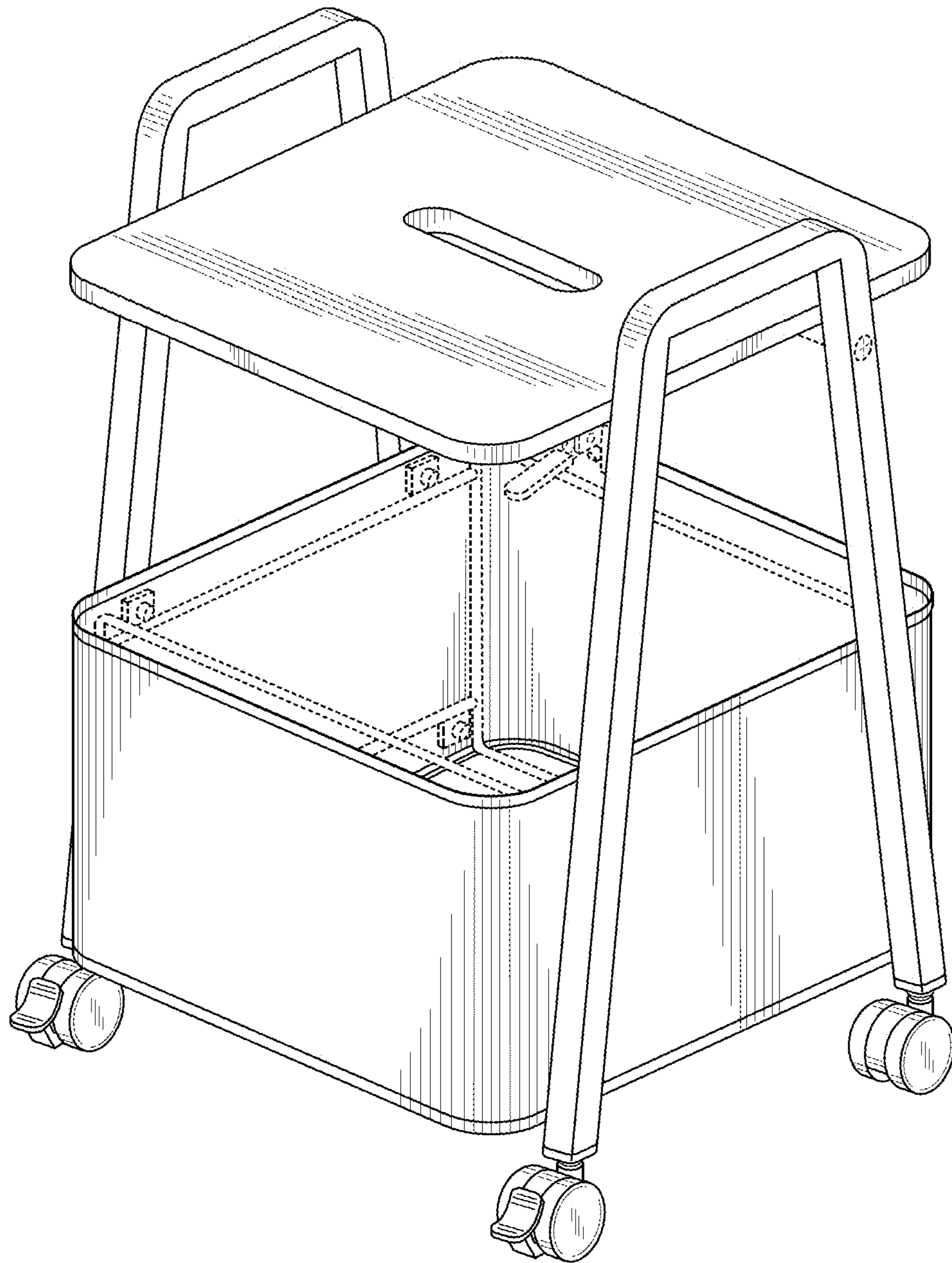


FIG. 1

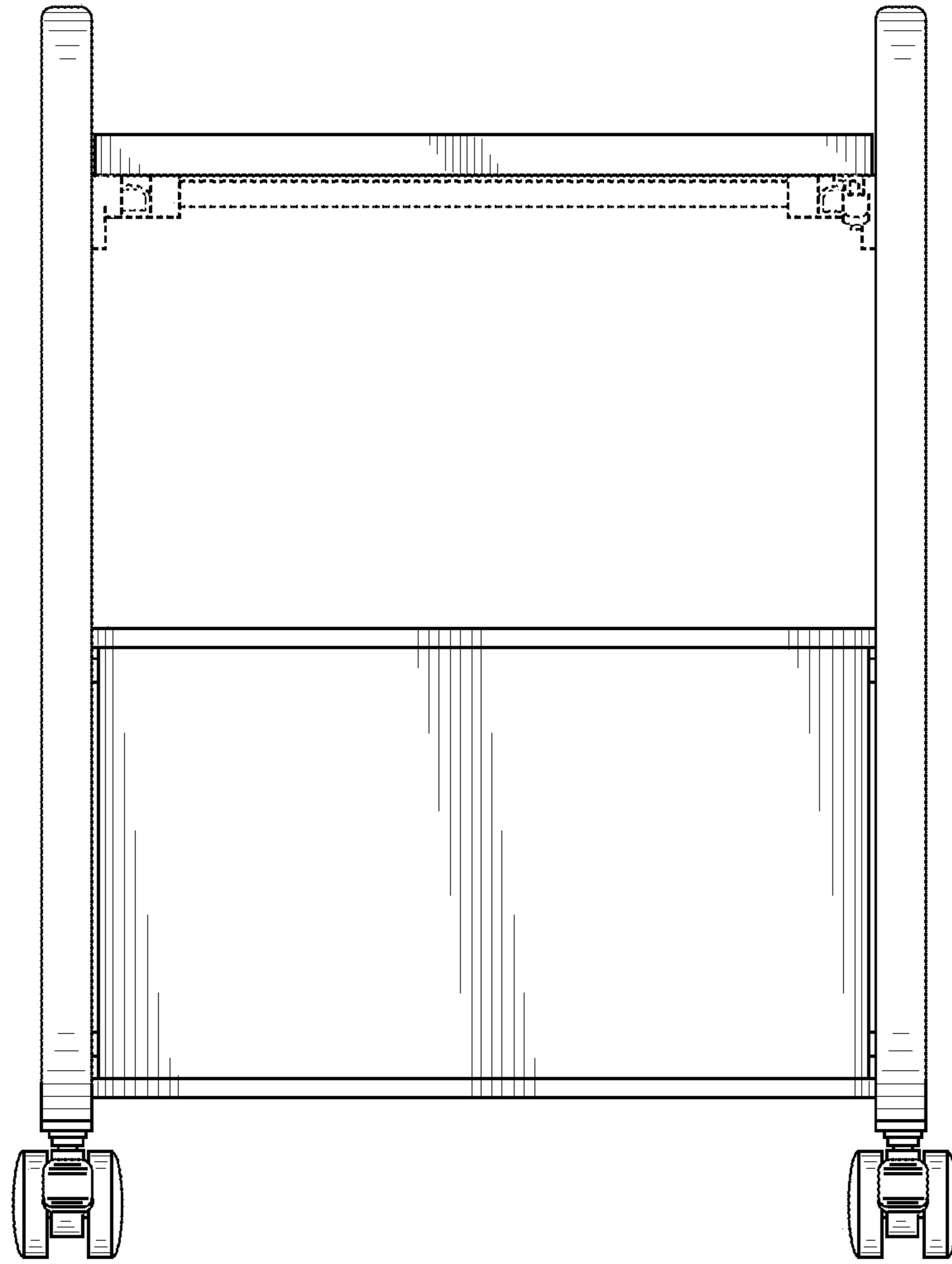


FIG. 2

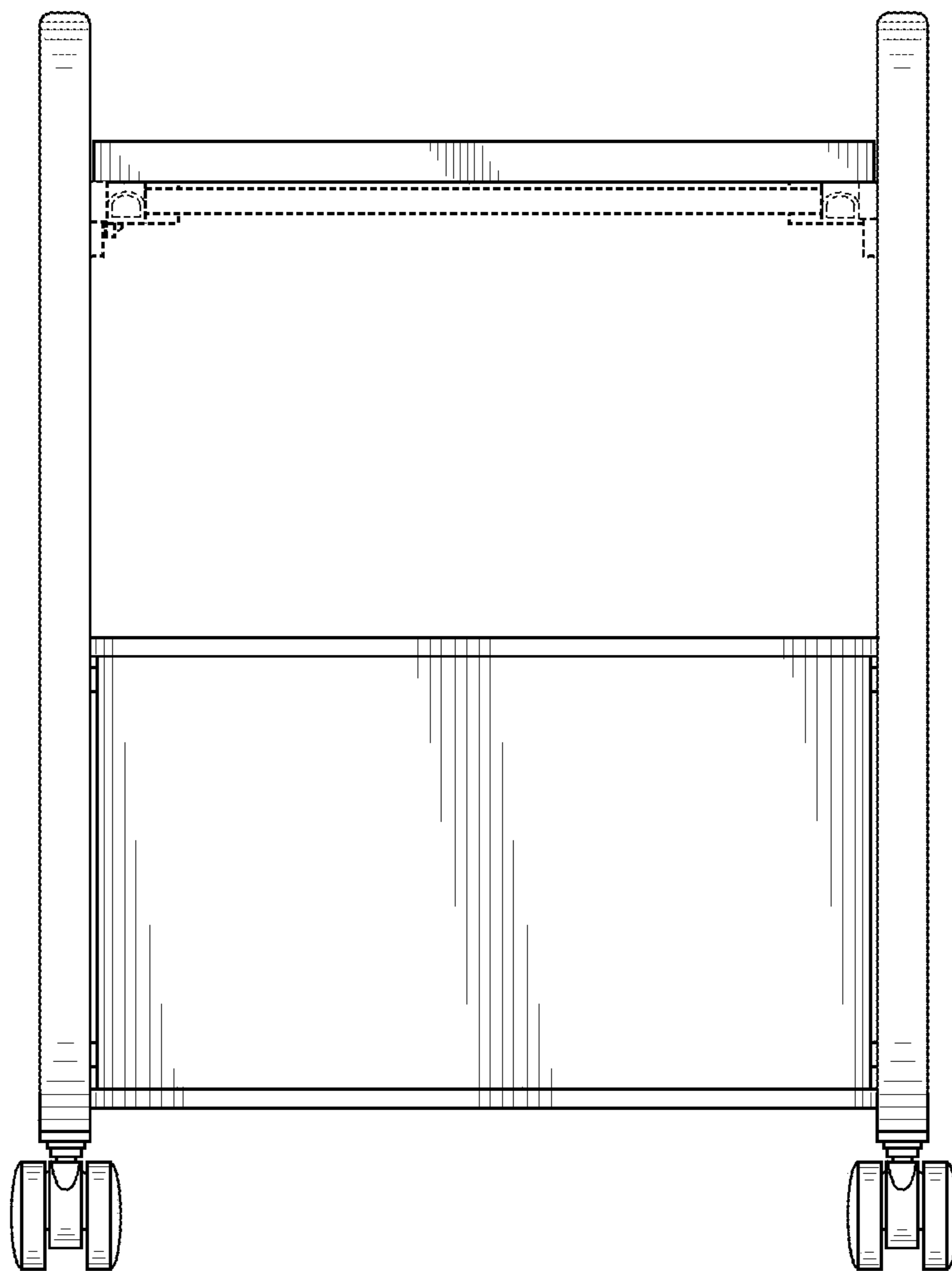


FIG. 3

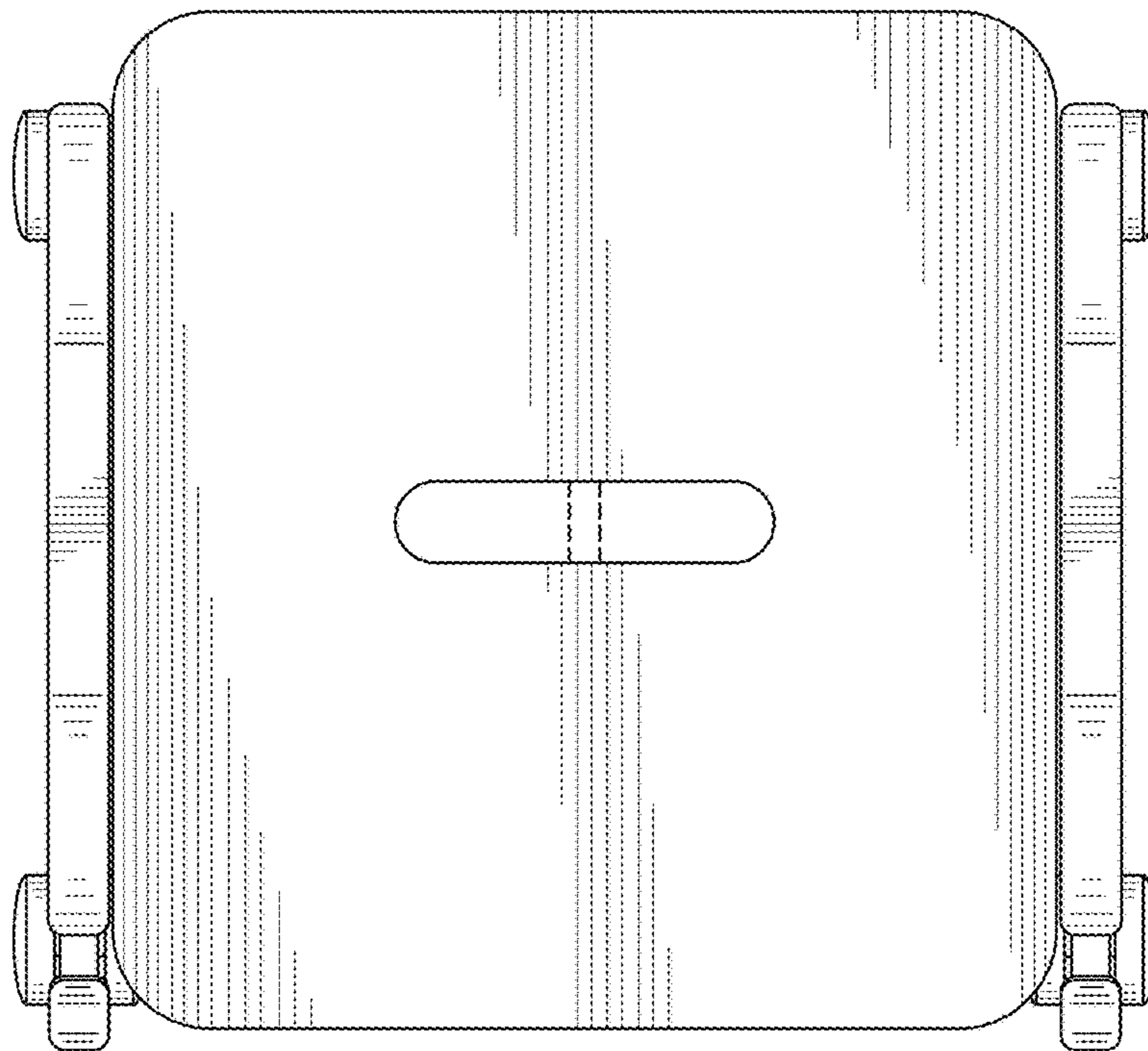


FIG. 4

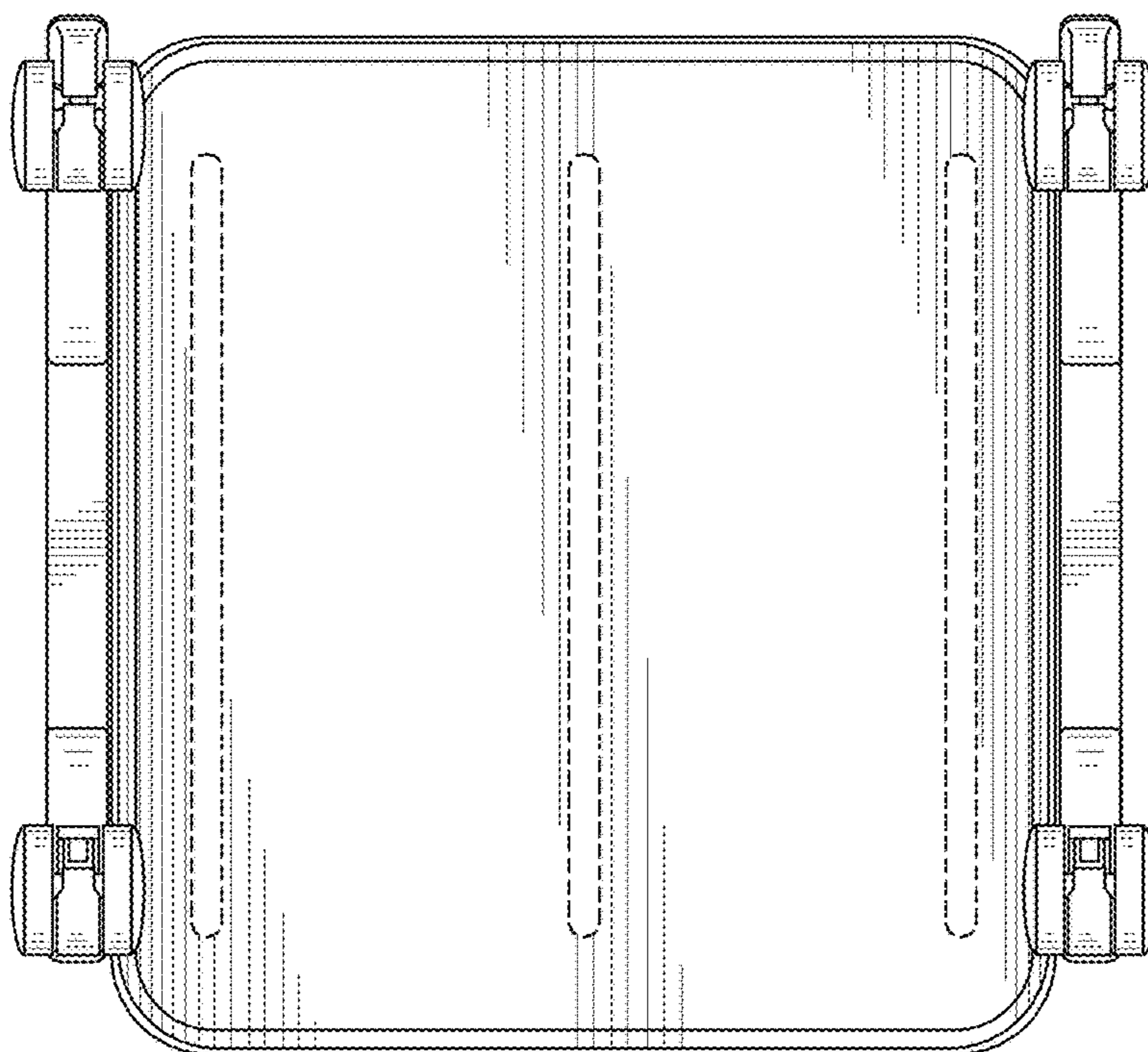


FIG. 5