



US00D814733S

(12) **United States Design Patent** (10) **Patent No.:** **US D814,733 S**
Peterson et al. (45) **Date of Patent:** **** Apr. 3, 2018**

- (54) **WASTE RECEPTACLE**
- (71) Applicant: **Ex-Cell Kaiser LLC**, Franklin Park, IL (US)
- (72) Inventors: **Mary Peterson**, Berwyn, IL (US); **Kevin Gough**, West Chicago, IL (US); **Arkady Kantor**, Buffalo Grove, IL (US); **Charles Choi**, Chicago, IL (US); **Mark Pavel**, Lisle, IL (US); **Connor Brandt**, Chicago, IL (US)
- (73) Assignee: **Ex-Cell Kaiser LLC**, Franklin Park, IL (US)

- (**) Term: **15 Years**
- (21) Appl. No.: **29/580,378**
- (22) Filed: **Oct. 7, 2016**
- (51) **LOC (11) Cl.** **09-09**
- (52) **U.S. Cl.**
USPC **D34/7; D34/1**
- (58) **Field of Classification Search**
USPC D34/1-11; 220/908, 908.1; D9/440, D9/441; D11/143; D3/272, 273, 274
CPC B65F 1/06; B65F 1/106; B65F 1/1615; B65F 1/1607; B65F 1/163; B65F 1/16; B65F 1/062
See application file for complete search history.

(56) **References Cited**

U.S. PATENT DOCUMENTS

- D251,153 S * 2/1979 Thompson D3/272
- D324,122 S * 2/1992 Brusing D34/1
- D331,651 S * 12/1992 Nilson D34/24
- D336,703 S * 6/1993 Mason, Jr. D19/81
- D358,916 S * 5/1995 Barbieri D3/313
- D360,643 S * 7/1995 Whittington D15/151
- D428,828 S * 8/2000 Gutierrez D11/143
- D447,304 S * 8/2001 Niemeyer D34/1

- D474,339 S * 5/2003 Pleiman D3/273
- D537,597 S * 2/2007 Bolden D34/1
- D556,451 S * 12/2007 McDonald D3/294
- D576,020 S * 9/2008 Arcati D8/1
- D587,452 S * 3/2009 Bisson D3/272
- D607,171 S * 12/2009 Schwartz D34/1

(Continued)

Primary Examiner — Cynthia Ramirez
(74) *Attorney, Agent, or Firm* — Banner & Witcoff, Ltd.

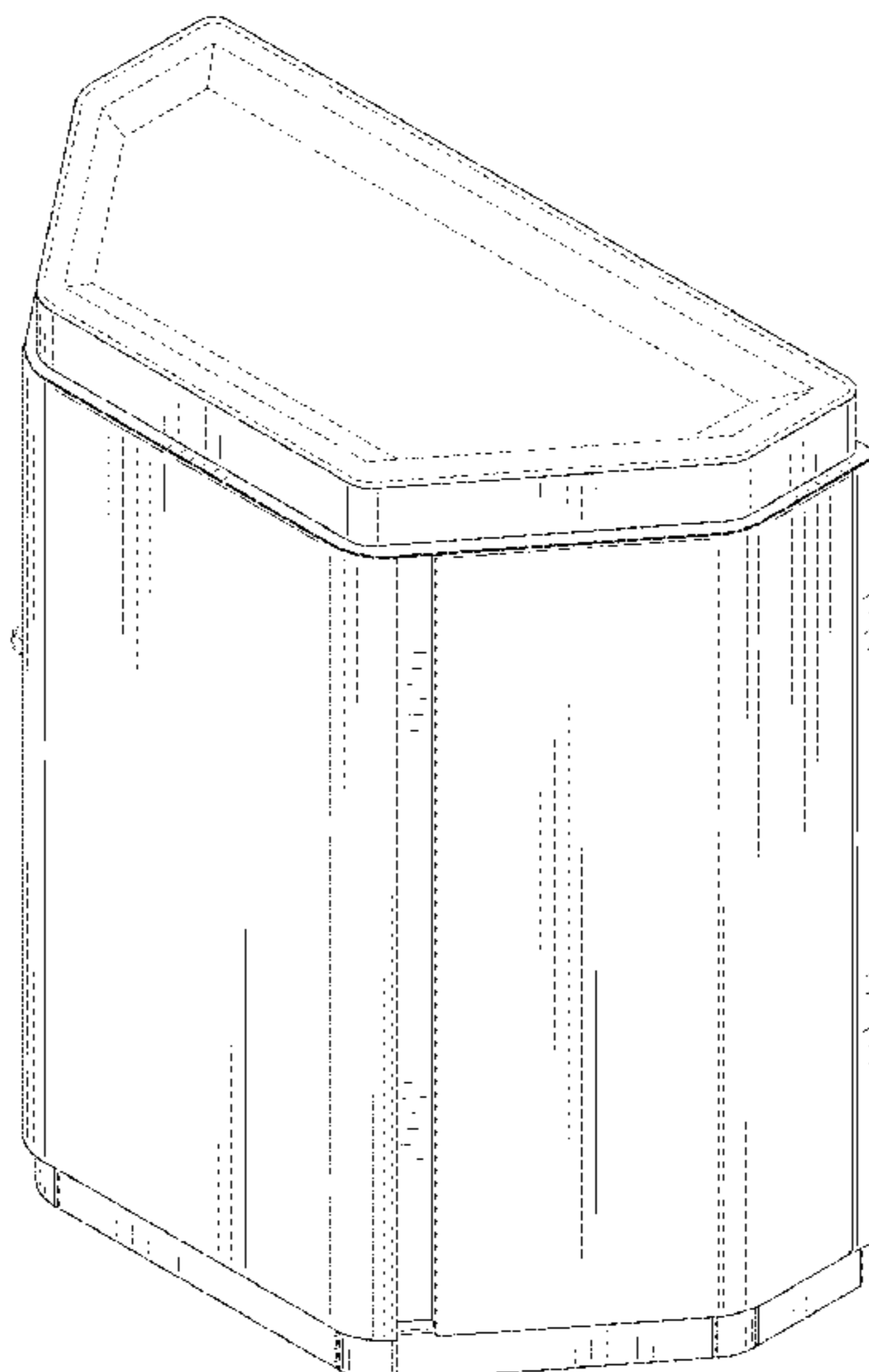
(57) **CLAIM**

The ornamental design for a waste receptacle, as shown and described.

DESCRIPTION

FIG. 1 is a top, front, right perspective view of a waste receptacle showing our new design;
 FIG. 2 is a front view thereof;
 FIG. 3 is a rear view thereof;
 FIG. 4 is a right side view thereof;
 FIG. 5 is a left side view thereof;
 FIG. 6 is a top view thereof;
 FIG. 7 is a bottom view thereof;
 FIG. 8 is a top, front, left perspective view thereof;
 FIG. 9 is another top view showing a first alternative unclaimed configuration;
 FIG. 10 is another top view showing a second alternative unclaimed configuration;
 FIG. 11 is another top view showing a third alternative unclaimed configuration;
 FIG. 12 is another top view showing a fourth alternative unclaimed configuration;
 FIG. 13 is a top, front, left perspective view of FIG. 11; and,
 FIG. 14 is a top, front, left perspective view of FIG. 12.
 The broken lines immediately adjacent to the shaded area represent unclaimed boundaries of the design. The other broken lines in the figures are to show unclaimed portions of the waste receptacle and form no part of the claimed design.

1 Claim, 11 Drawing Sheets



(56)

References Cited

U.S. PATENT DOCUMENTS

D758,037 S * 5/2016 Madrid B65F 1/06
D34/8
2010/0276427 A1* 11/2010 Kaberna B65D 83/0894
220/495.07
2013/0105486 A1* 5/2013 Mashburn B65F 1/06
220/495.06

* cited by examiner

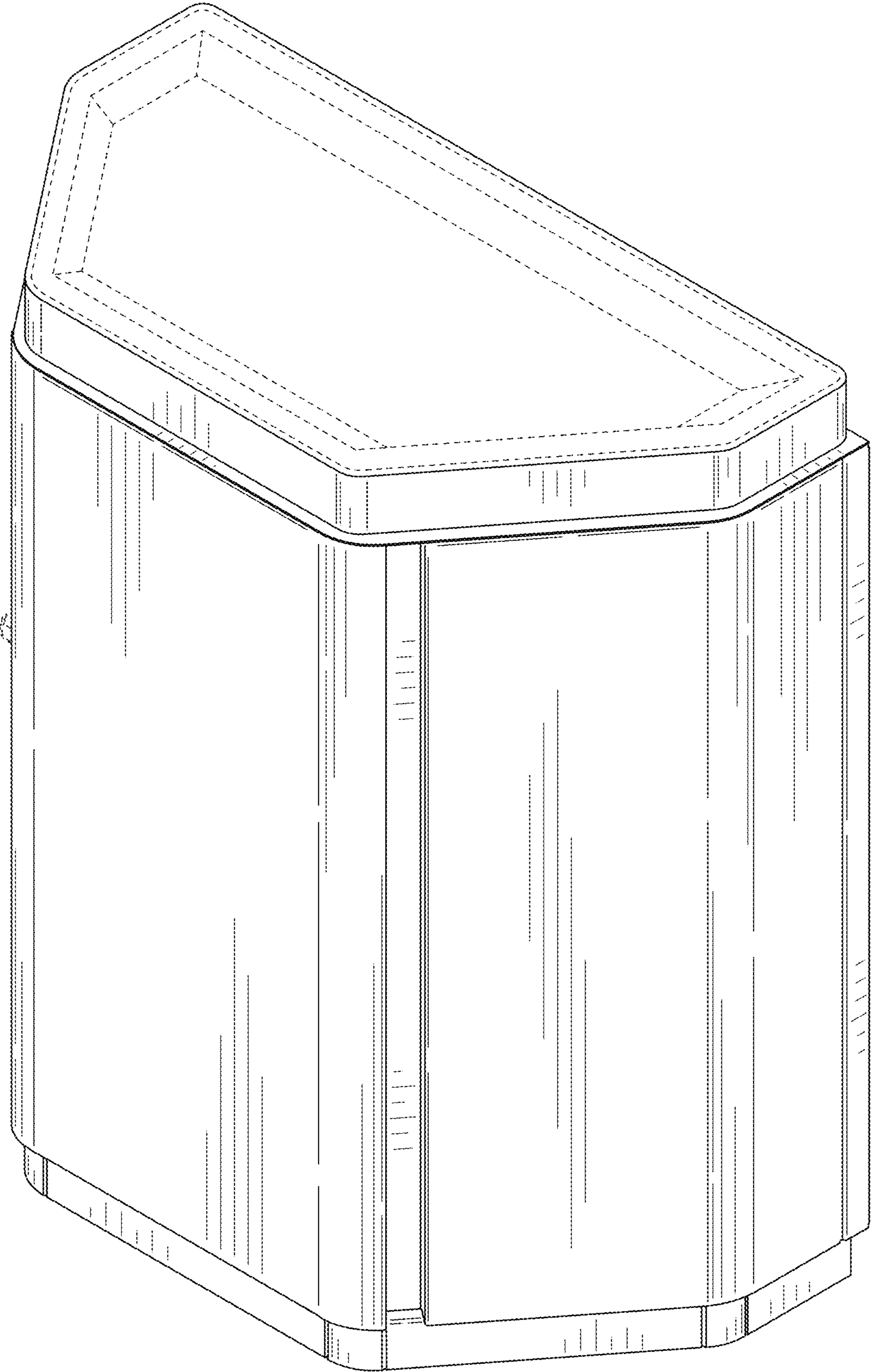


FIG. 1

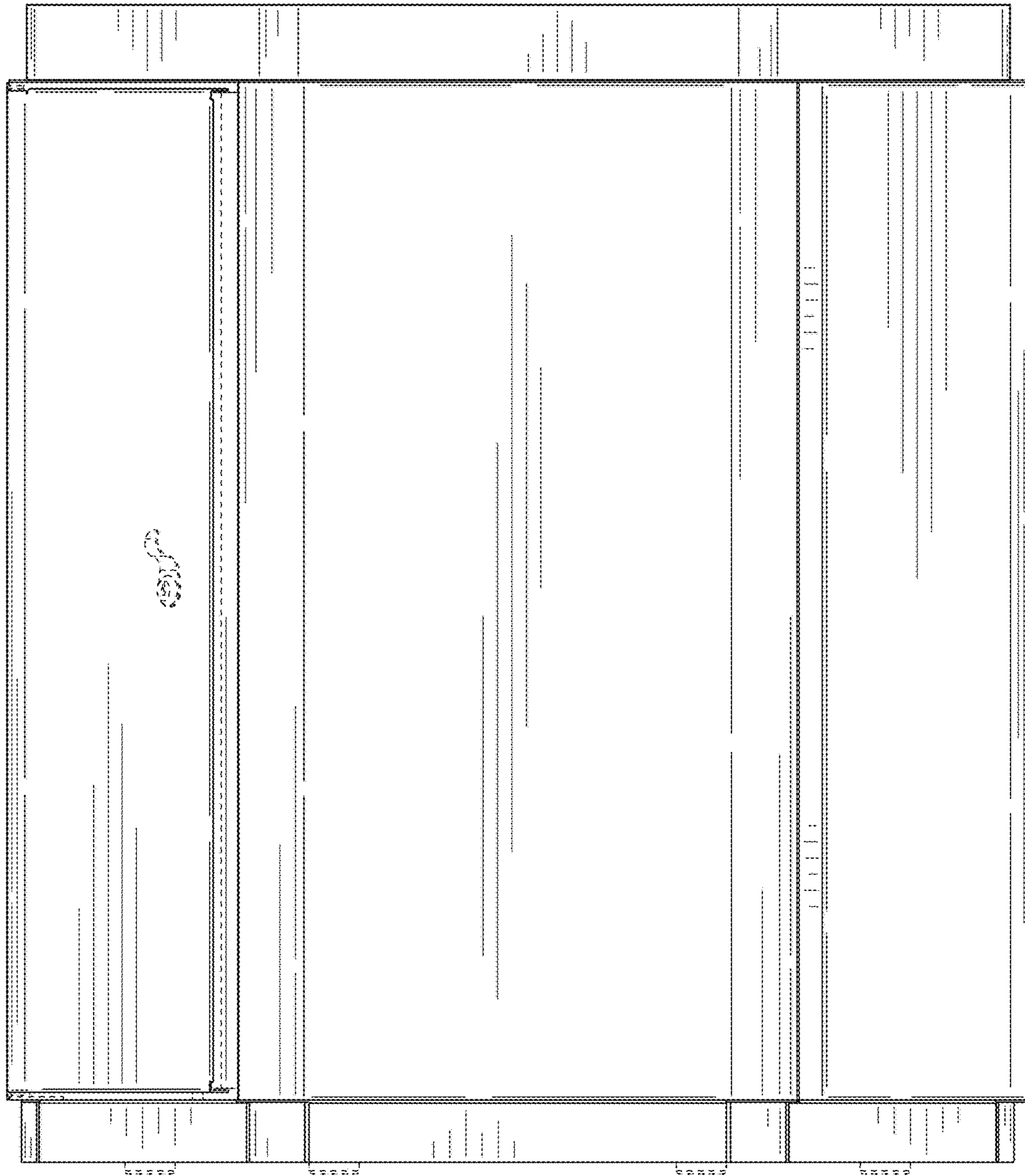


FIG. 2

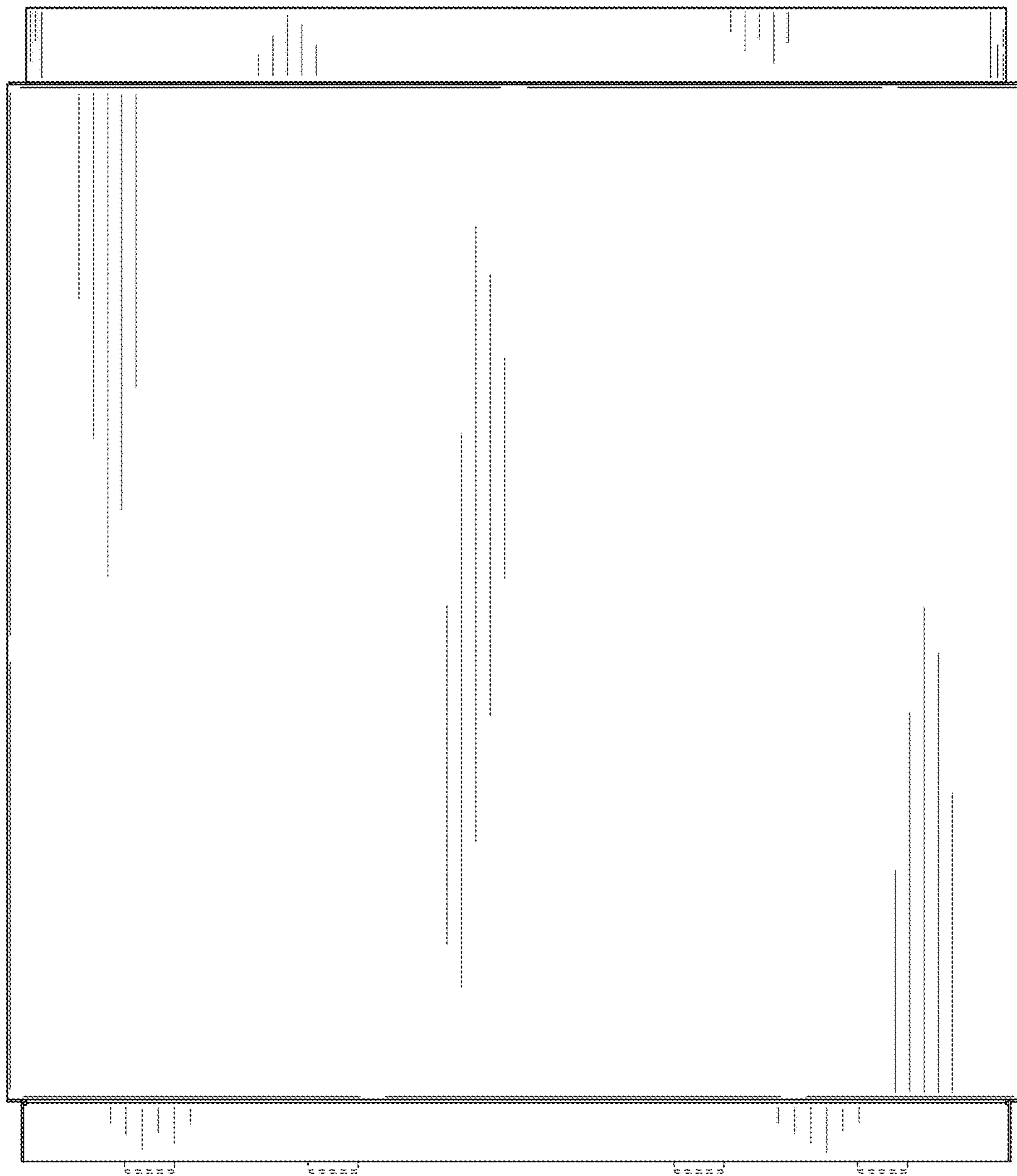


FIG. 3

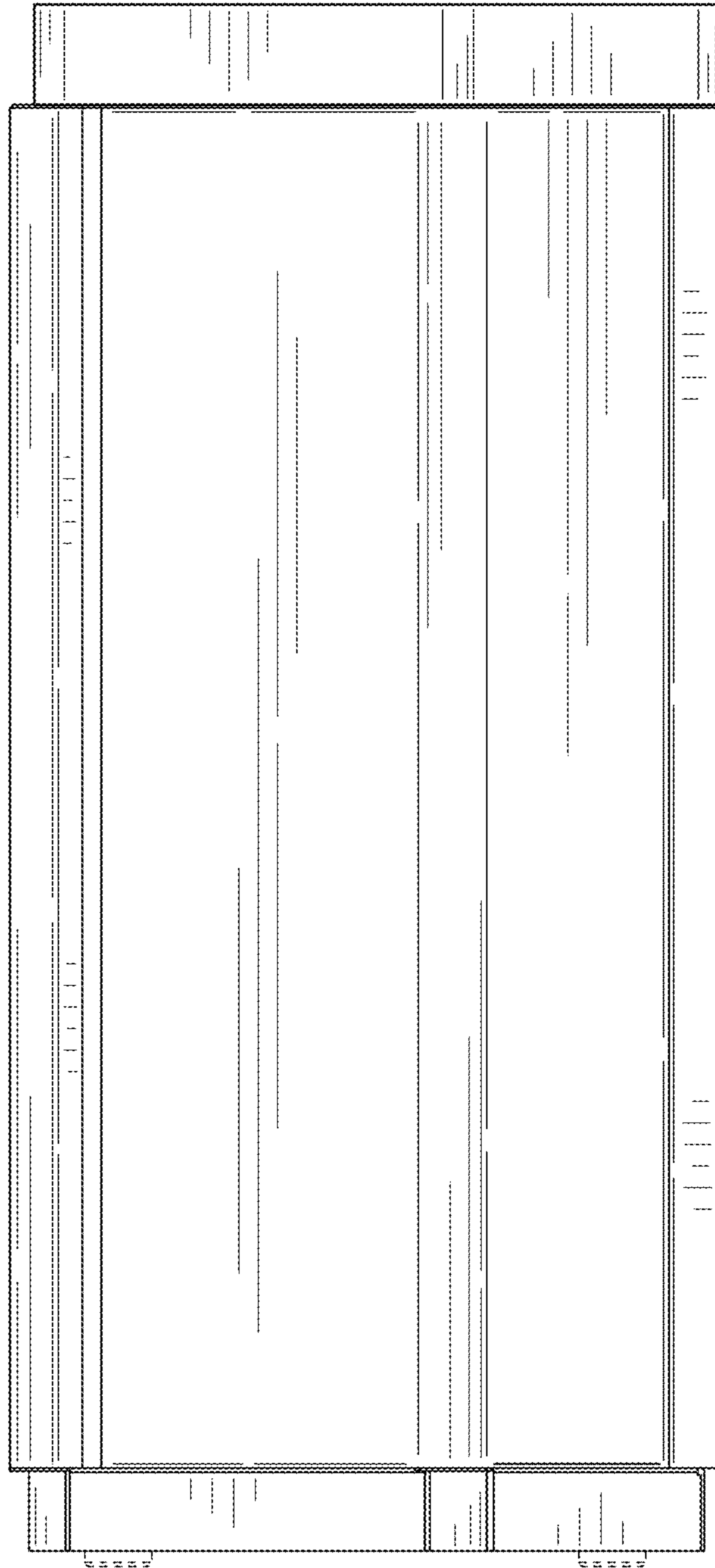


FIG. 4

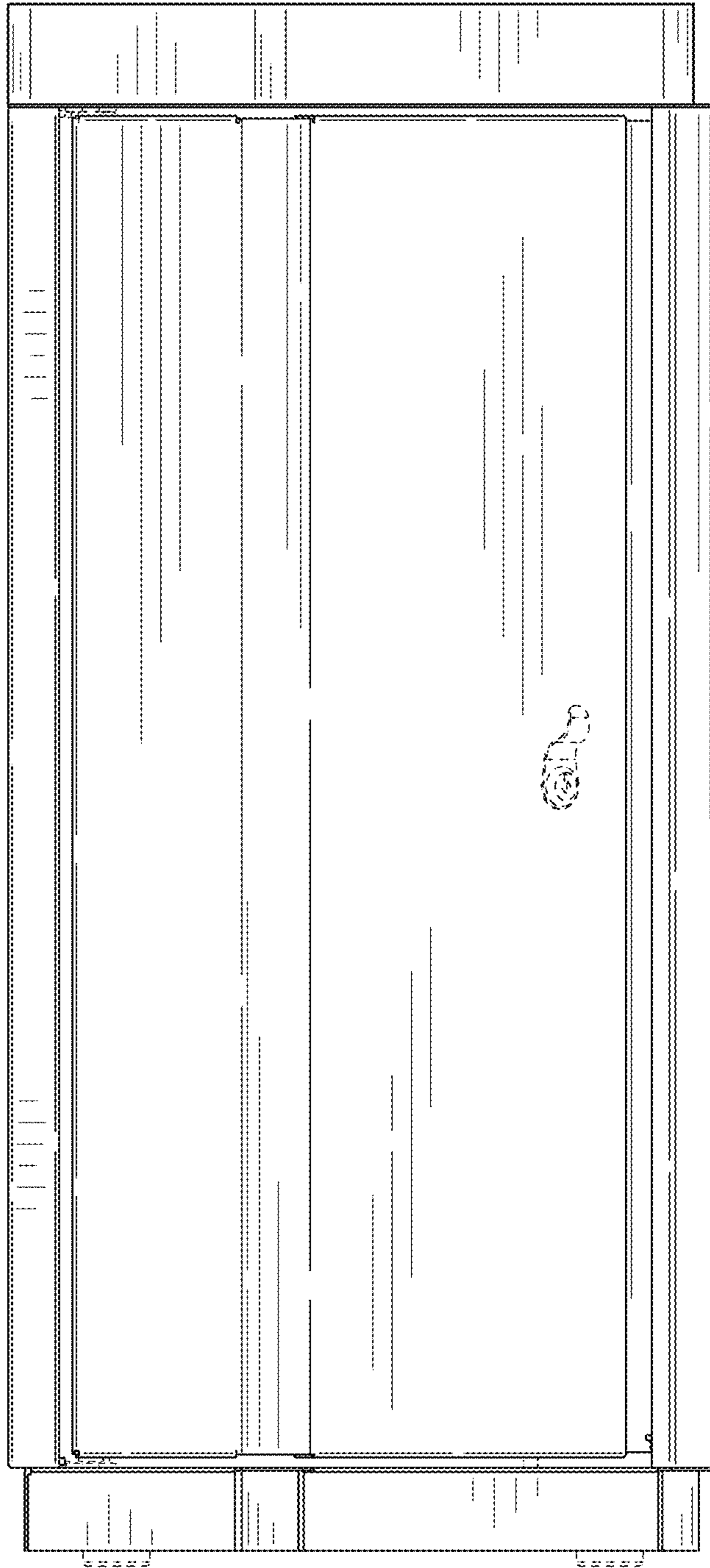


FIG. 5

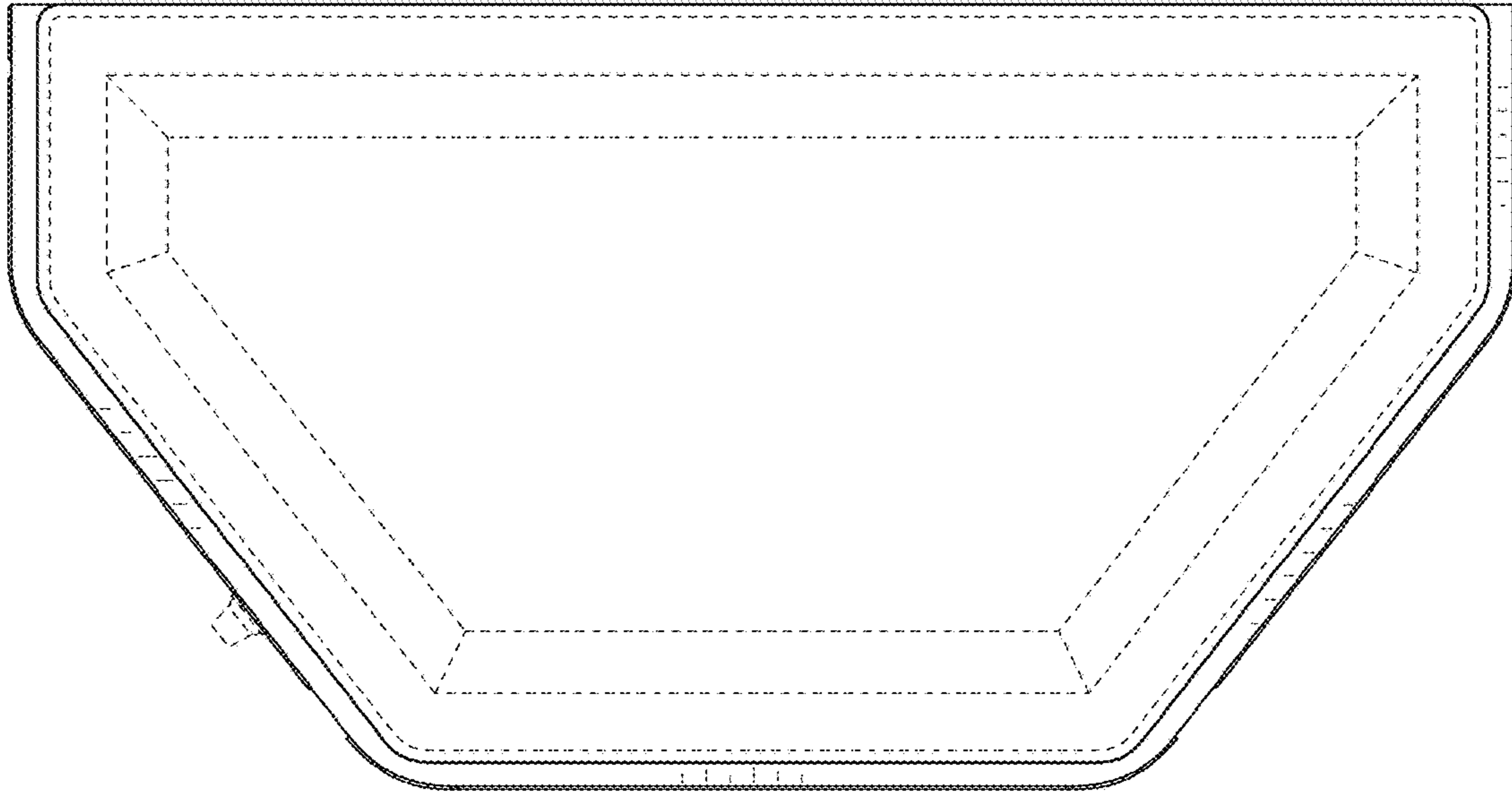


FIG. 6

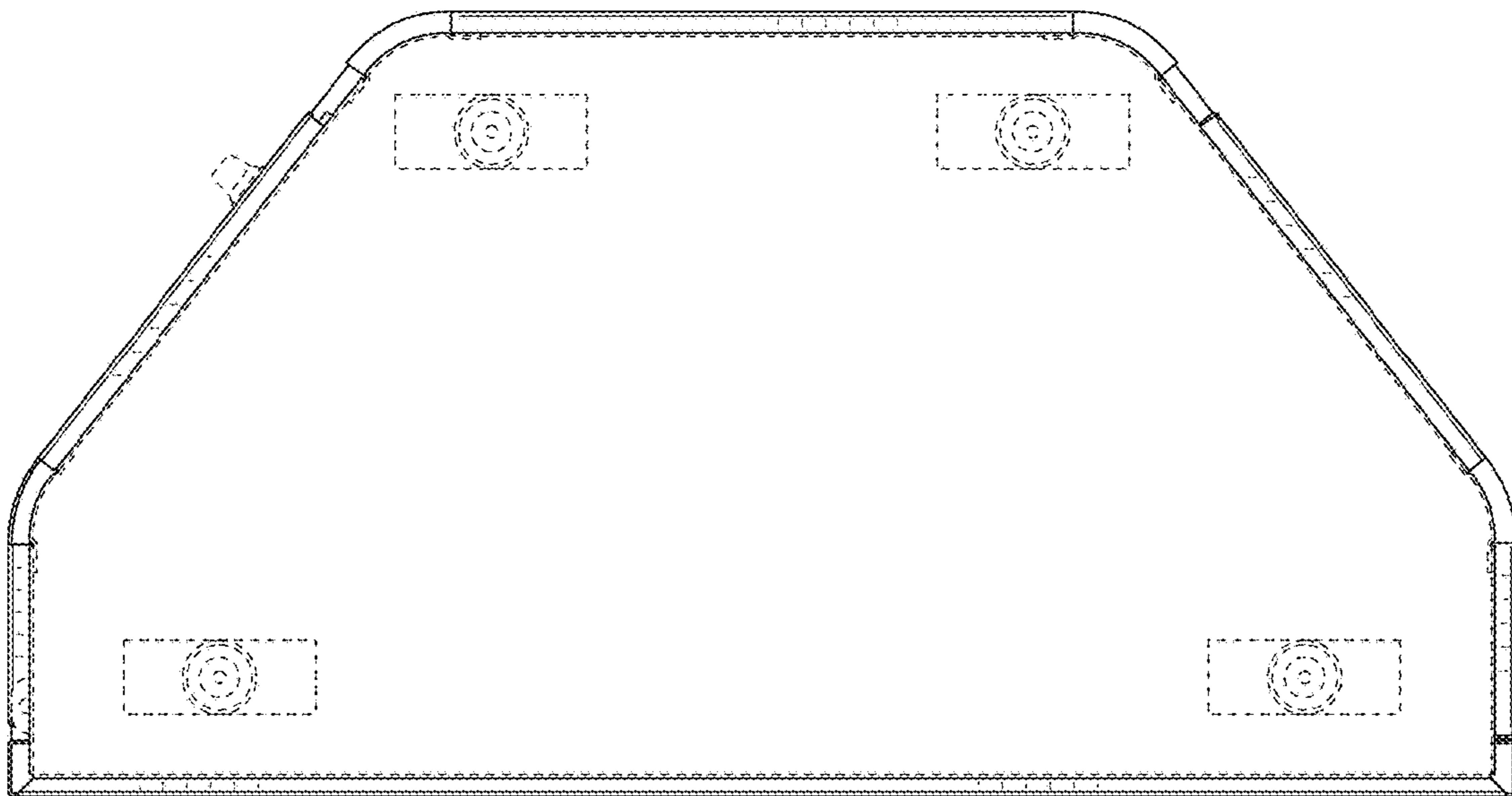


FIG. 7

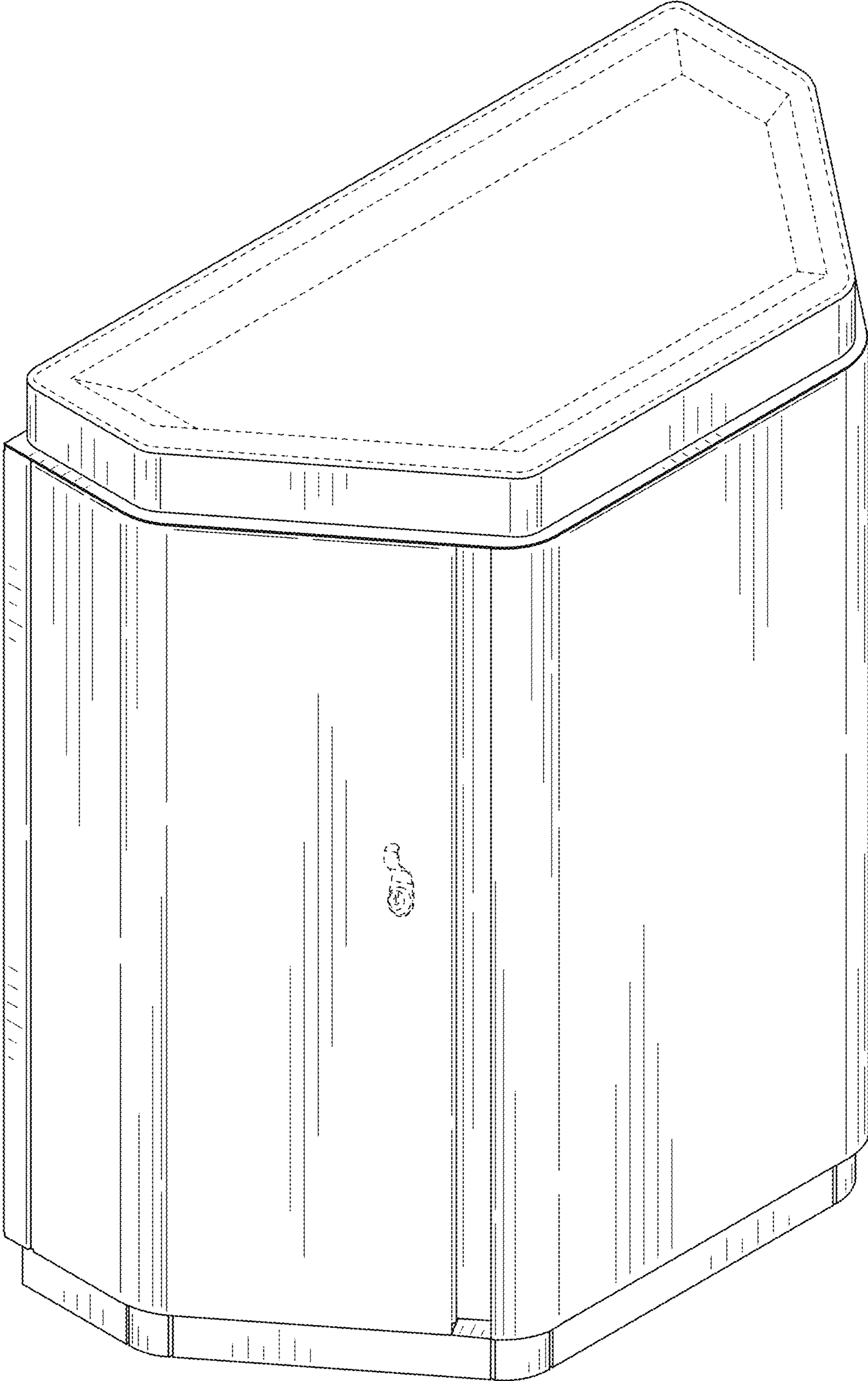


FIG. 8

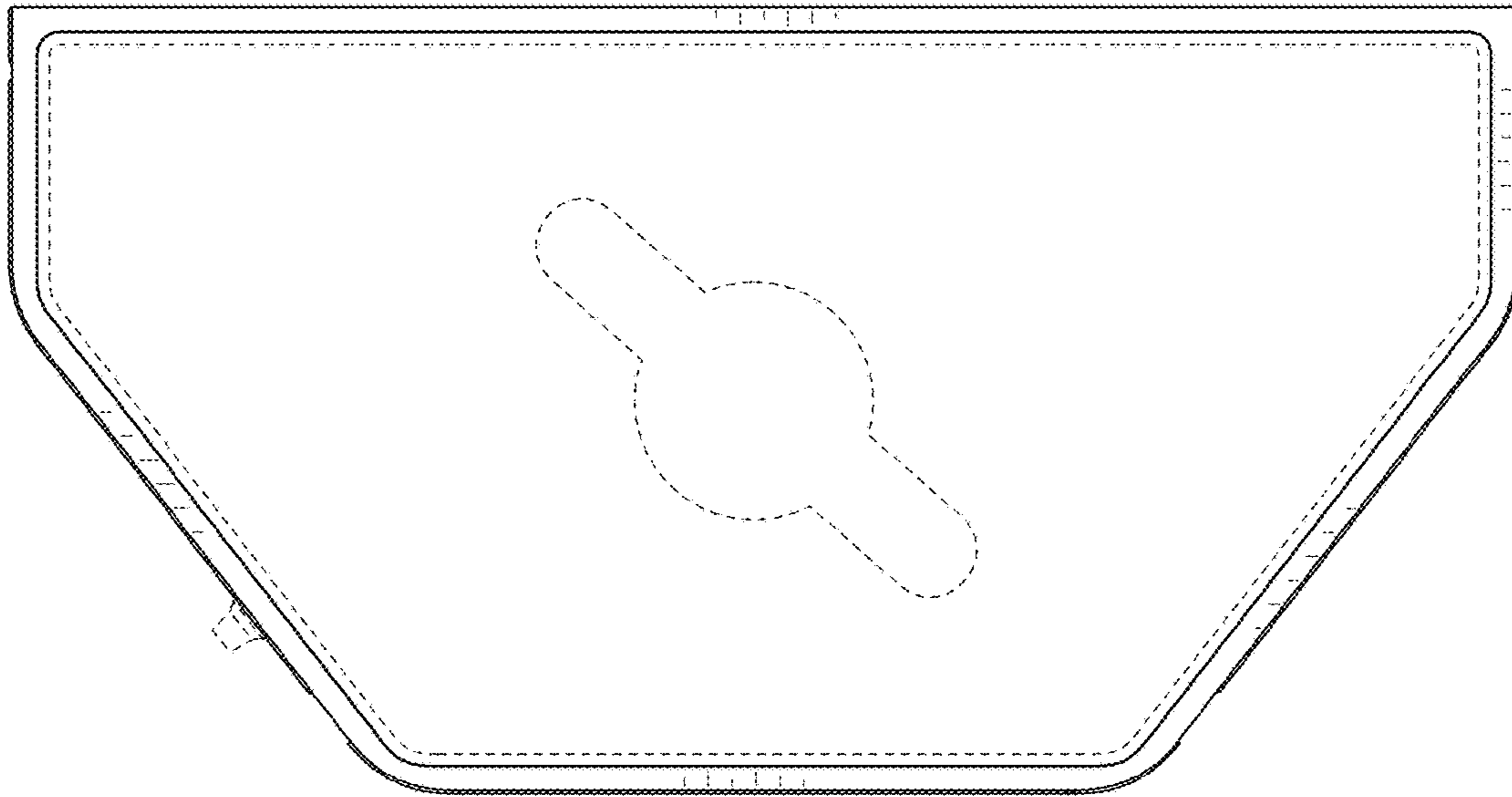


FIG. 9

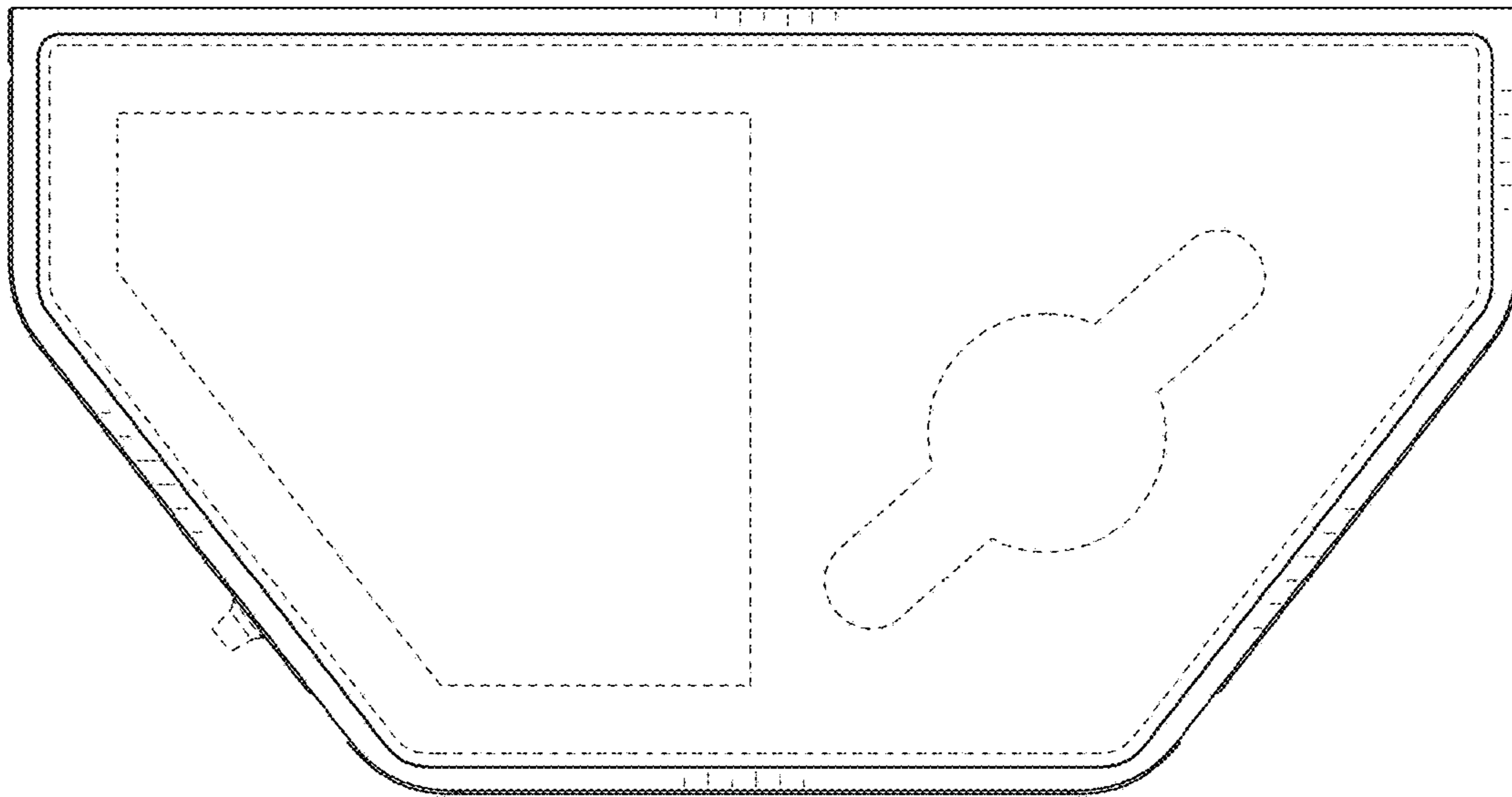


FIG. 10

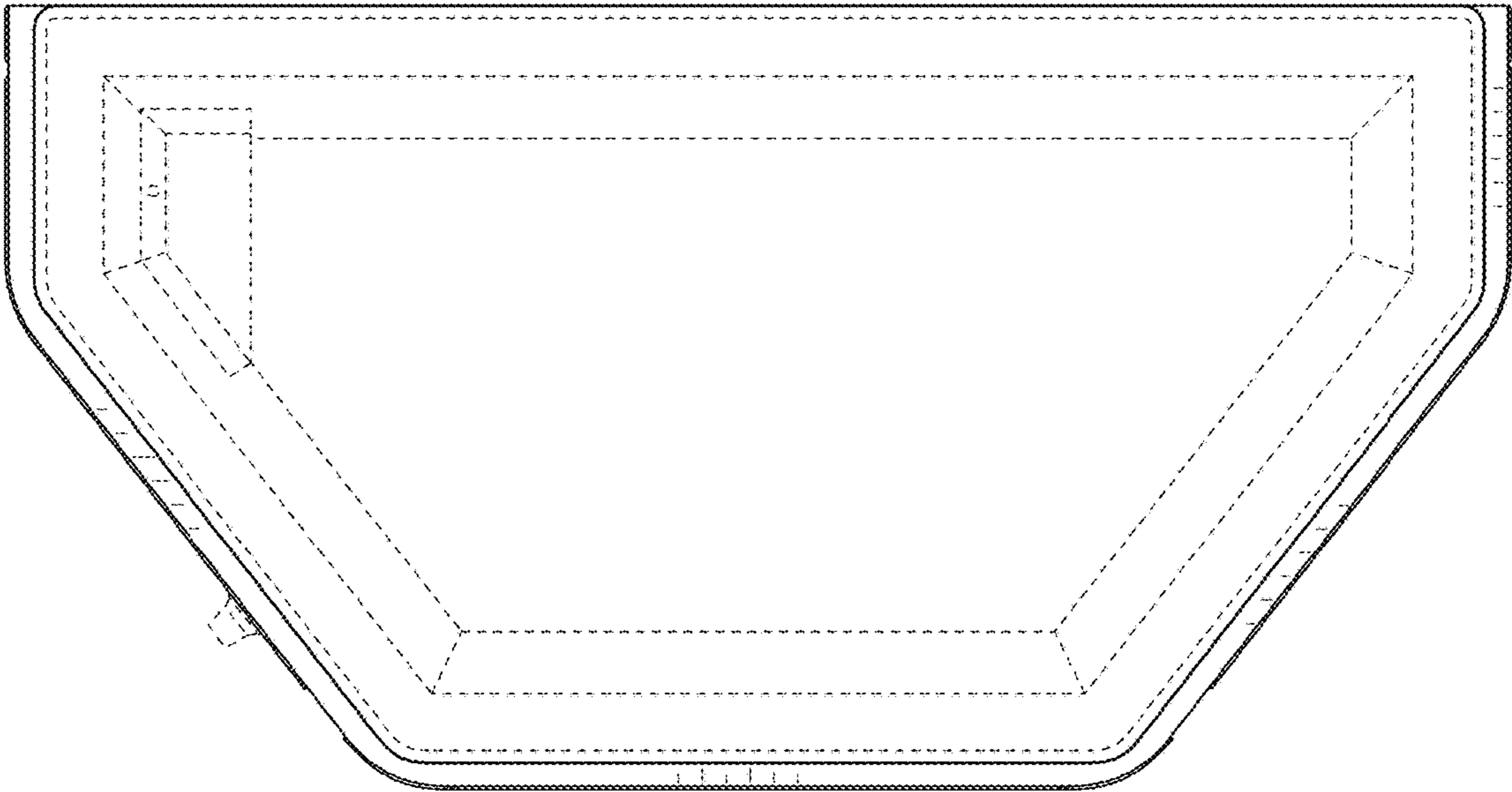


FIG. 11

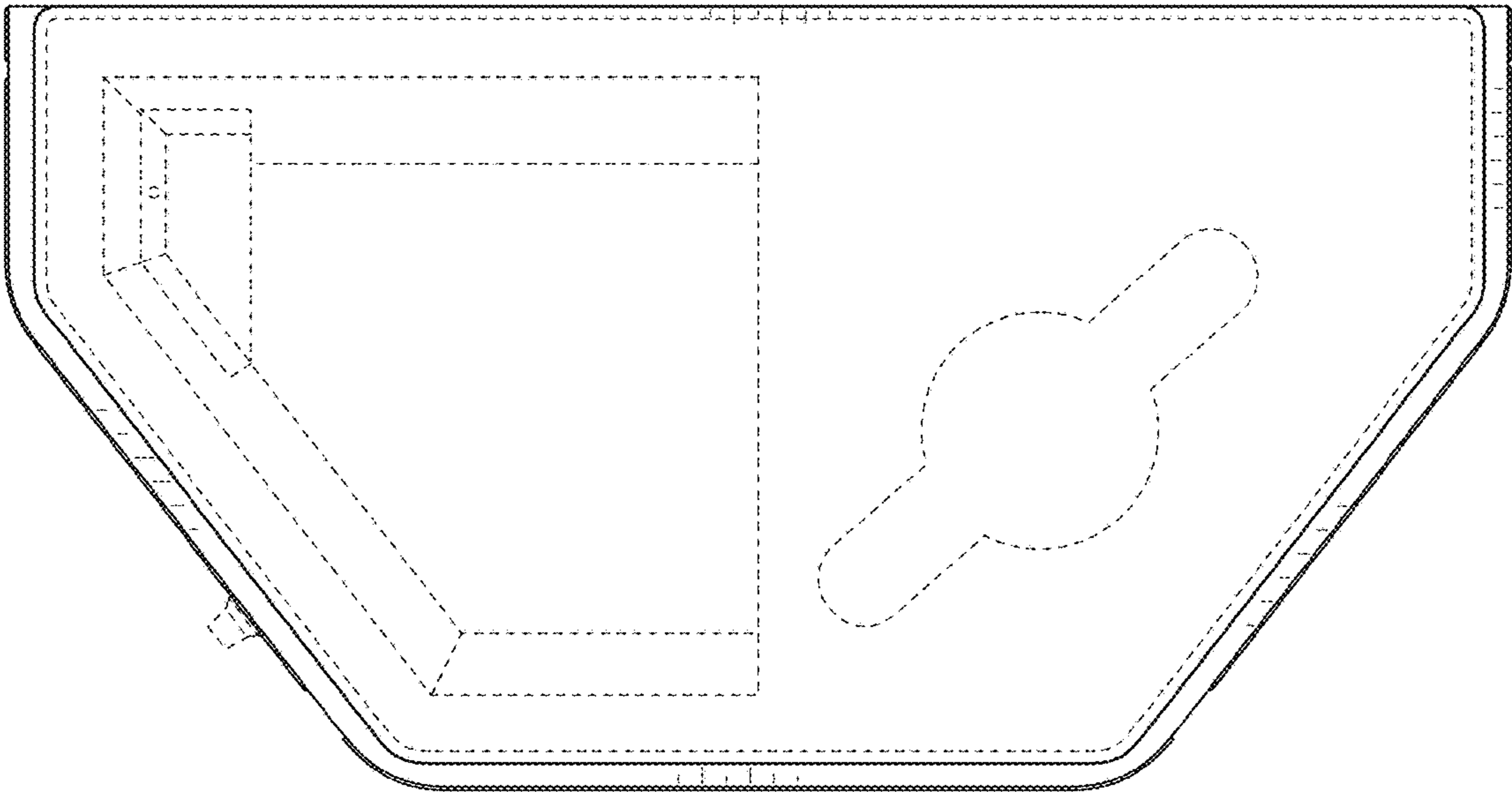


FIG. 12

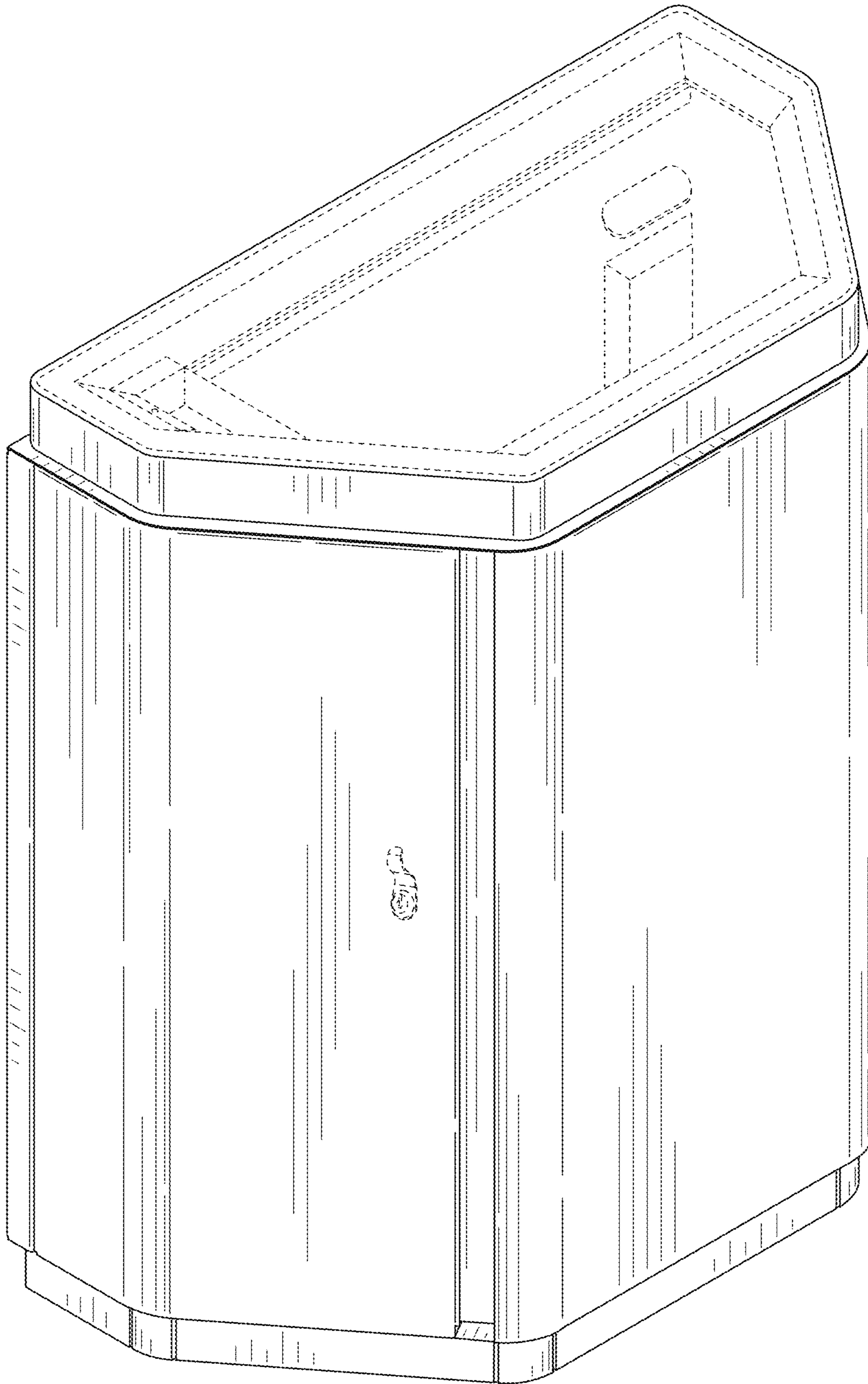


FIG. 13

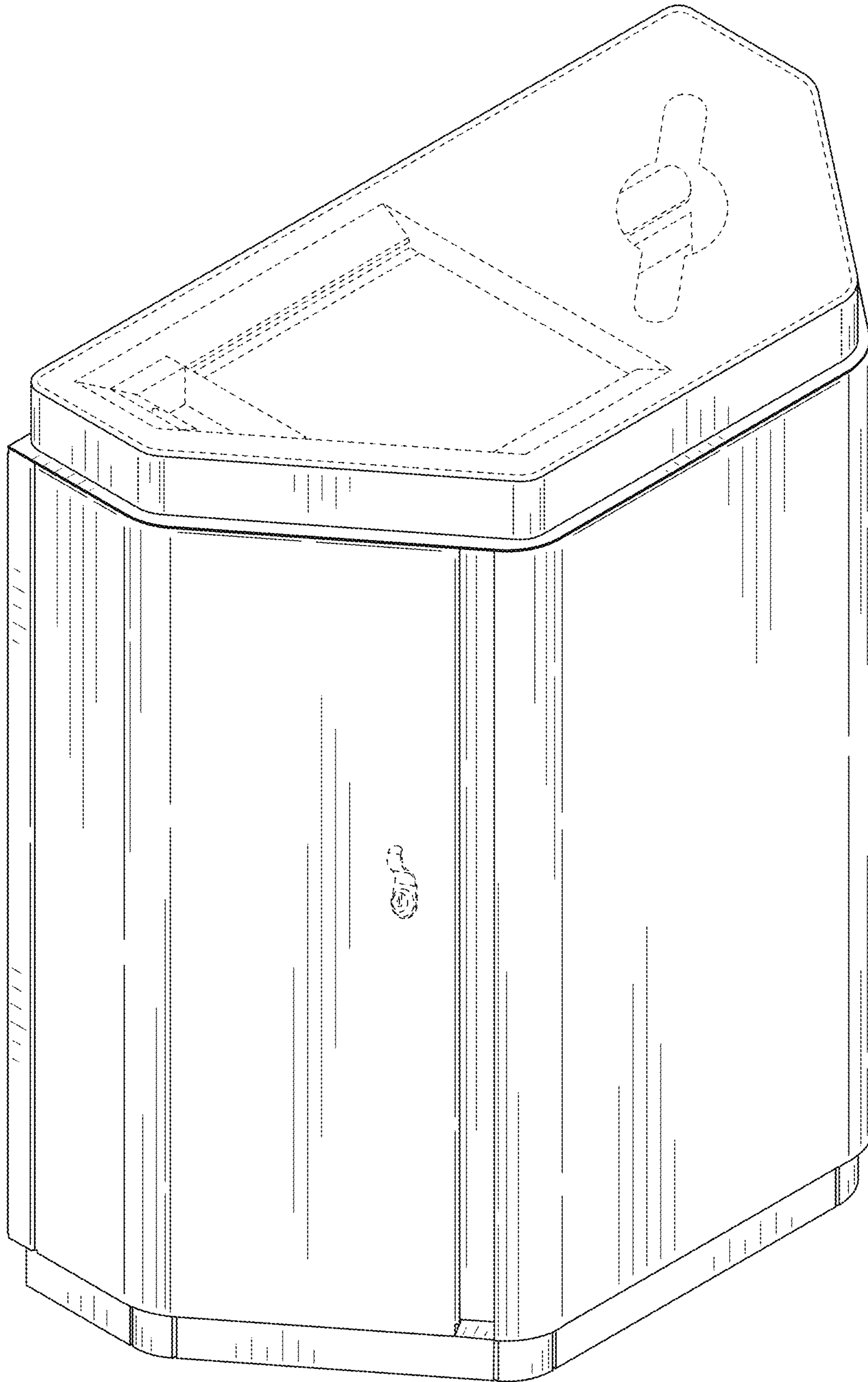


FIG. 14