



US00D814732S

(12) **United States Design Patent**
Libman et al.

(10) **Patent No.:** **US D814,732 S**
(45) **Date of Patent:** **** Apr. 3, 2018**

- (54) **DUSTPAN**
- (71) Applicant: **The Libman Company**, Arcola, IL (US)
- (72) Inventors: **Andrew D. Libman**, Champaign, IL (US); **Aaron Libman**, Champaign, IL (US); **Carlos Aguiar**, Burgo (PT); **Fernando De Jesus Santos**, Maceira Lra (PT)
- (73) Assignee: **The Libman Company**, Arcola, IL (US)
- (**) Term: **15 Years**
- (21) Appl. No.: **29/556,921**
- (22) Filed: **Mar. 4, 2016**
- (51) **LOC (11) Cl.** **07-05**
- (52) **U.S. Cl.**
USPC **D32/74**
- (58) **Field of Classification Search**
USPC D32/74, 41; D30/162; D7/691, 688; D4/116; 15/257.5, 257.3, 257.2, 257.1; 134/6
CPC A47L 13/52; A47L 13/51; A46B 15/00; A46B 15/0097; A46B 15/0095; A46B 17/04; A46B 5/00; A46B 2200/302
See application file for complete search history.

- 2,780,868 A 2/1957 Brown
- 2,855,622 A 10/1958 Tixerant
- D184,504 S 3/1959 Bliss
- 3,170,182 A 2/1965 Burian
- 3,408,681 A 11/1968 Isakson
- D267,592 S 1/1983 Payne, Jr. et al.
- D286,697 S 11/1986 Marttinen
- D306,367 S 2/1990 Vetter
- D345,238 S 3/1994 Berti
- (Continued)

OTHER PUBLICATIONS

Bill Ward, "Broom Groomer", http://www.amazon.com/Quirky-BRG-1-CHR-Groomer-Cleaning-Dustpan/dp/B004LH184U/ref=sr_1_1?ie=UTF8&qid=1405974874&sr=8-1&keywords=quirky+broom+groomer, retrieved from internet Jul. 22, 2014, published date unknown, but prior to the filing date of the present application.

(Continued)

Primary Examiner — Austin Murphy
(74) *Attorney, Agent, or Firm* — Banner & Witcoff, Ltd.

(57) **CLAIM**

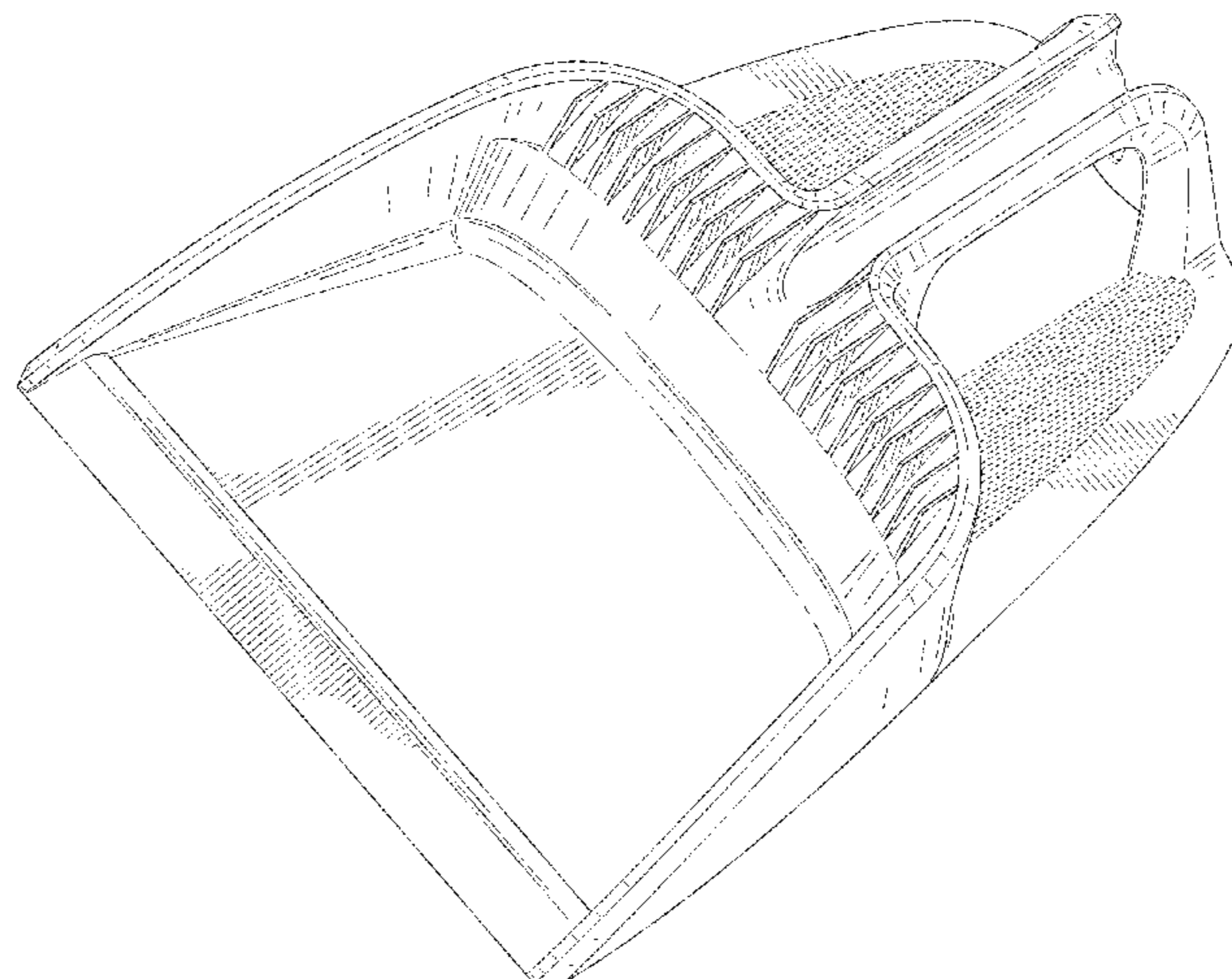
The ornamental design for a dustpan, as shown and described.

DESCRIPTION

FIG. 1 is a top, front, right perspective view of a dustpan showing our new design;
FIG. 2 is a front view thereof;
FIG. 3 is a rear view thereof;
FIG. 4 is a left side view thereof;
FIG. 5 is a right side view thereof; and,
FIG. 6 is a top view thereof.
The broken lines immediately adjacent to the shaded area represent unclaimed boundaries of the design. The broken lines showing the remainder of the dustpan are for environmental purposes only and form no part of the claimed design.

1 Claim, 5 Drawing Sheets

- (56) **References Cited**
U.S. PATENT DOCUMENTS
- 445,278 A 1/1891 Libman et al.
- 1,147,440 A 7/1915 Roach
- 1,225,540 A 5/1917 Wells
- 1,315,310 A 9/1919 Kelley
- 1,678,284 A 7/1928 Duhsel
- 1,683,517 A 9/1928 Bentley
- D91,098 S 11/1933 Petner
- 2,255,715 A 9/1941 Samms
- 2,651,924 A 9/1953 Lawrence
- D175,141 S 7/1955 Andis



(56)

References Cited

U.S. PATENT DOCUMENTS

D347,915 S 6/1994 Berti
 5,457,844 A 10/1995 Hanna et al.
 D367,745 S 3/1996 Feldman et al.
 D394,928 S 6/1998 Laib
 D398,115 S * 9/1998 Footer D32/74
 5,802,657 A 9/1998 Nogues et al.
 5,826,297 A 10/1998 Footer et al.
 5,924,162 A 7/1999 Kalscheur et al.
 D426,353 S 6/2000 Renforth
 D427,739 S * 7/2000 Demore D32/74
 6,112,359 A 9/2000 Kaleta
 6,282,745 B1 9/2001 Alt
 D463,643 S 9/2002 Petner
 D466,262 S 11/2002 Chemtob
 D468,879 S * 1/2003 Perelli D32/74
 D470,289 S 2/2003 Petner
 D475,828 S 6/2003 Libman et al.
 D481,504 S 10/2003 Libman et al.
 6,733,056 B2 5/2004 Daniele
 D492,489 S * 7/2004 Hay D32/74
 6,902,060 B2 6/2005 Michelson et al.
 D508,760 S 8/2005 Berti
 D510,165 S 9/2005 Berti
 7,047,907 B1 5/2006 Johnston
 D525,004 S 7/2006 Berti
 D556,968 S 12/2007 Juergens
 D586,970 S 2/2009 Berti
 7,536,789 B2 5/2009 Michel
 D599,073 S * 8/2009 Caleca D32/74
 D601,769 S * 10/2009 Cox D32/74
 D602,214 S 10/2009 Petersen
 D602,657 S * 10/2009 Petersen D30/162
 D612,648 S 3/2010 Guindi
 D630,401 S 1/2011 Libman et al.
 D636,139 S * 4/2011 Jones D32/74
 D643,985 S 8/2011 Dedrick
 D667,192 S * 9/2012 Libman D32/74

D673,340 S * 12/2012 Dobson, III D32/74
 D674,569 S 1/2013 Schelling
 D675,493 S 2/2013 Cie la
 D684,331 S 6/2013 Vasilakes et al.
 D687,204 S 7/2013 Vasilakes et al.
 8,517,204 B1 8/2013 Spaninger
 8,555,459 B2 10/2013 Ward et al.
 8,701,243 B2 4/2014 Ward et al.
 D709,138 S 7/2014 Bradley
 D711,609 S 8/2014 Libman et al.
 D720,909 S * 1/2015 Vasilakes D32/74
 D720,911 S 1/2015 Libman et al.
 D730,006 S * 5/2015 Dobson, III D32/74
 D769,563 S * 10/2016 Garcia D32/74
 D784,646 S * 4/2017 Baker D32/74
 2005/0071943 A1 4/2005 Liu
 2007/0163069 A1 7/2007 Sampaio
 2009/0223007 A1 9/2009 Li
 2012/0240330 A1 9/2012 Fulford et al.
 2013/0152331 A1 6/2013 Ward et al.
 2013/0326807 A1 12/2013 Ahn
 2014/0034795 A1 2/2014 Brinkmann
 2014/0245533 A1 9/2014 Lee et al.
 2014/0259377 A1 9/2014 Eilmus et al.
 2014/0259381 A1 9/2014 Fogerlie
 2014/0346102 A1 11/2014 Housley
 2014/0352054 A1 12/2014 Tollasepp et al.
 2015/0230667 A1 8/2015 Palazzolo et al.

OTHER PUBLICATIONS

“OXO Good Grips Large Upright Dustpan”, http://www.amazon.com/OXO-Grips-Large-Upright-Dustpan/dp/B00940DV4O/ref=sr_1_2?s=home-garden&ie=UTF8&qid=1405974925&sr=1-2&keywords=oxo+upright+sweep+set, retrieved from internet Jul. 22, 2014, published date unknown, but prior to the filing date of the present application.

* cited by examiner

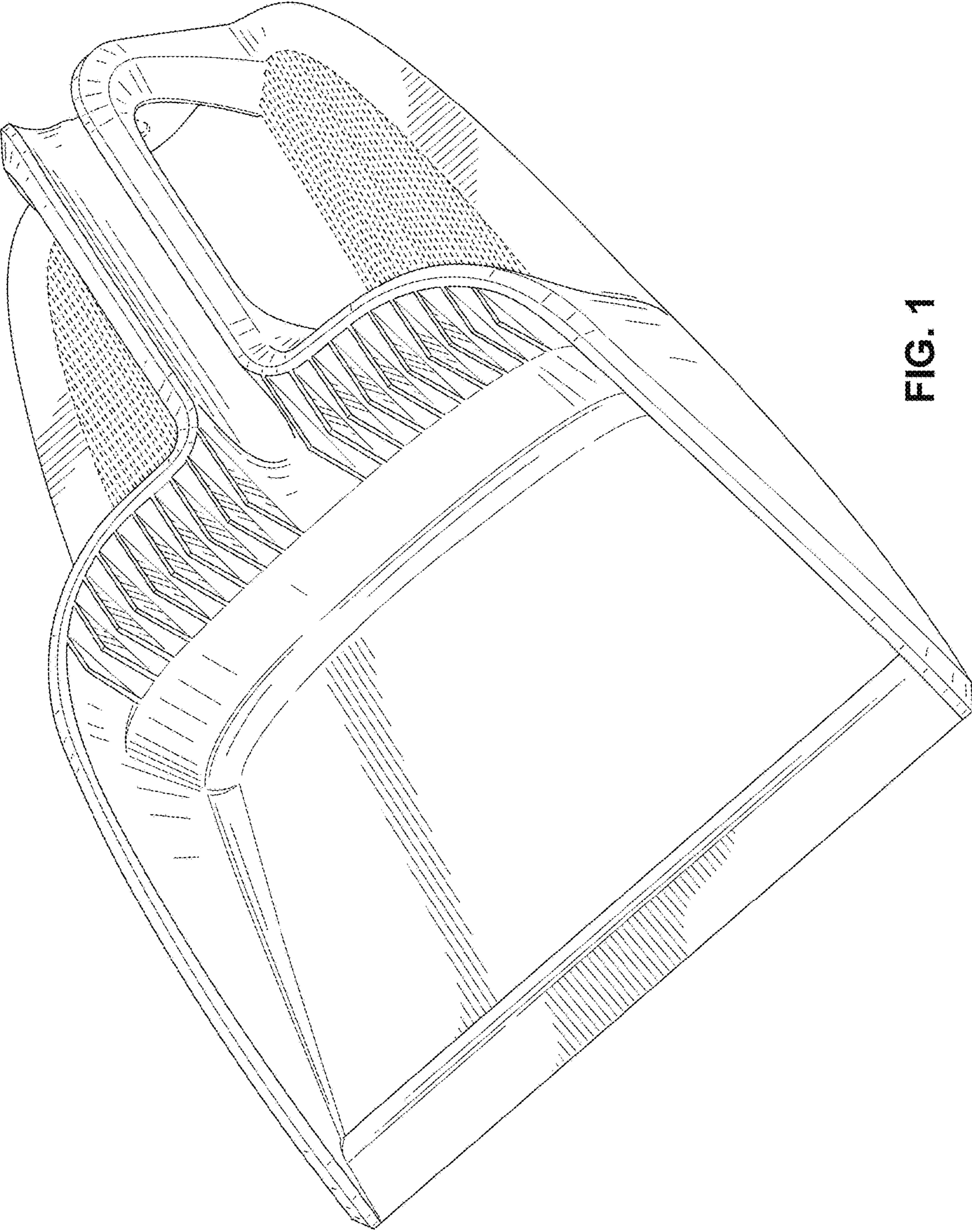


FIG. 1

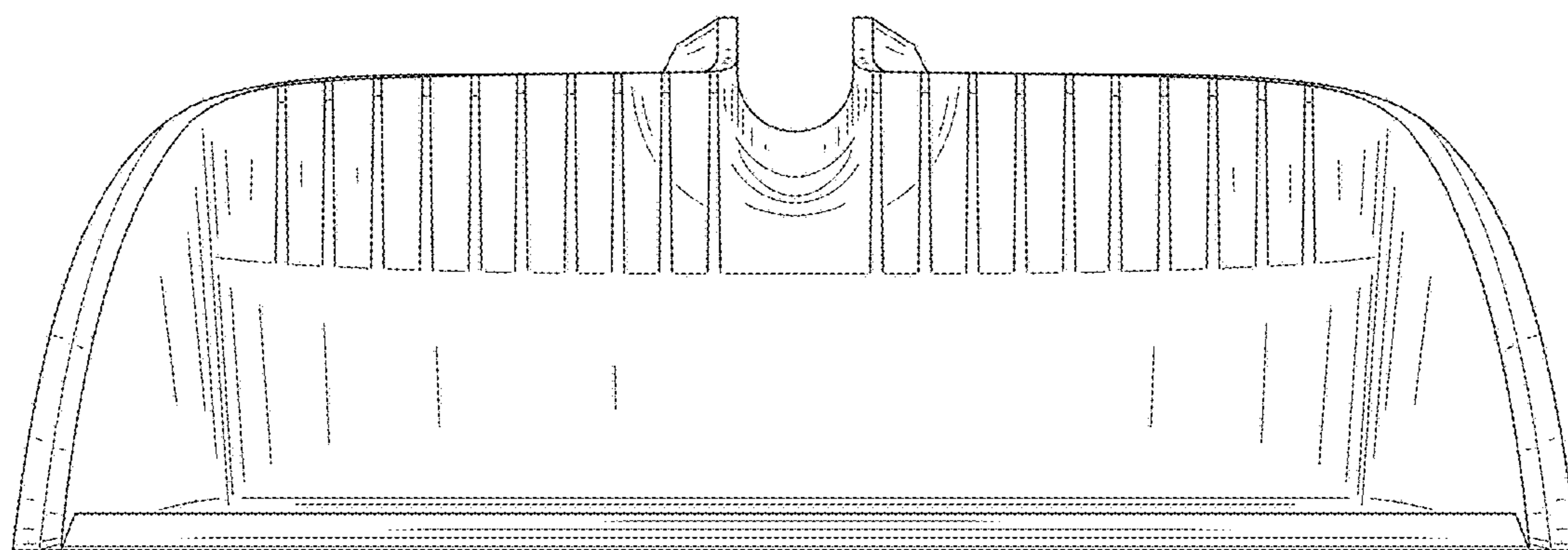


FIG. 2

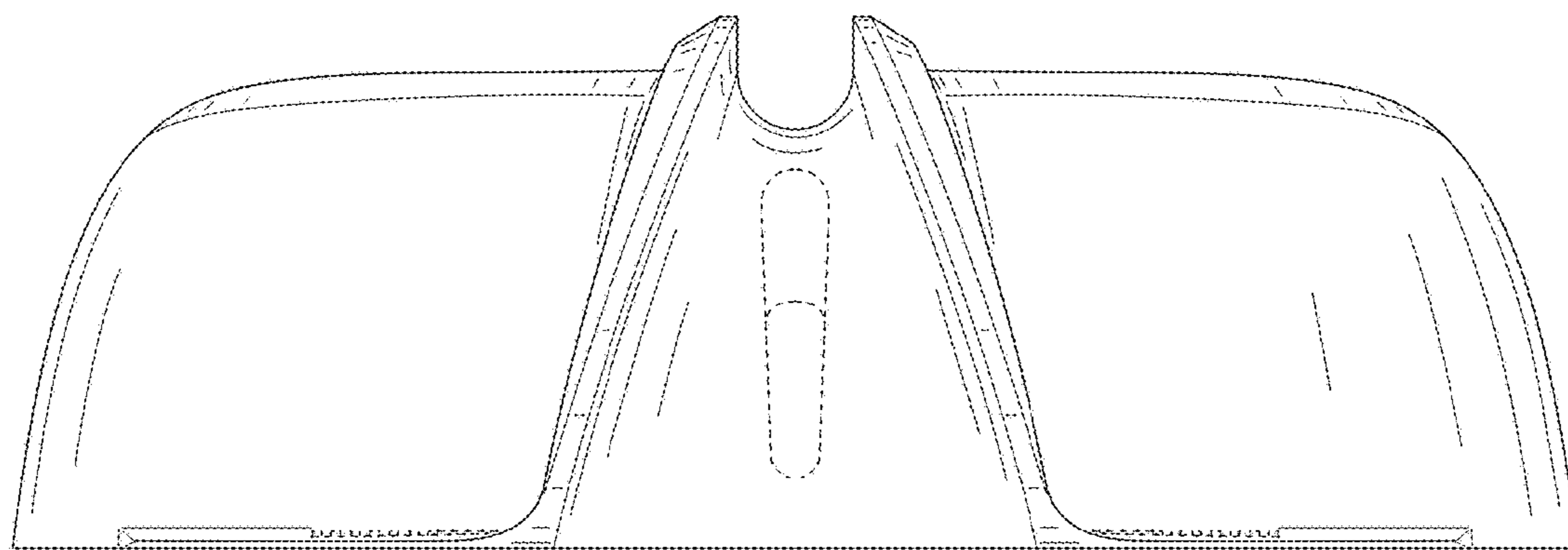


FIG. 3

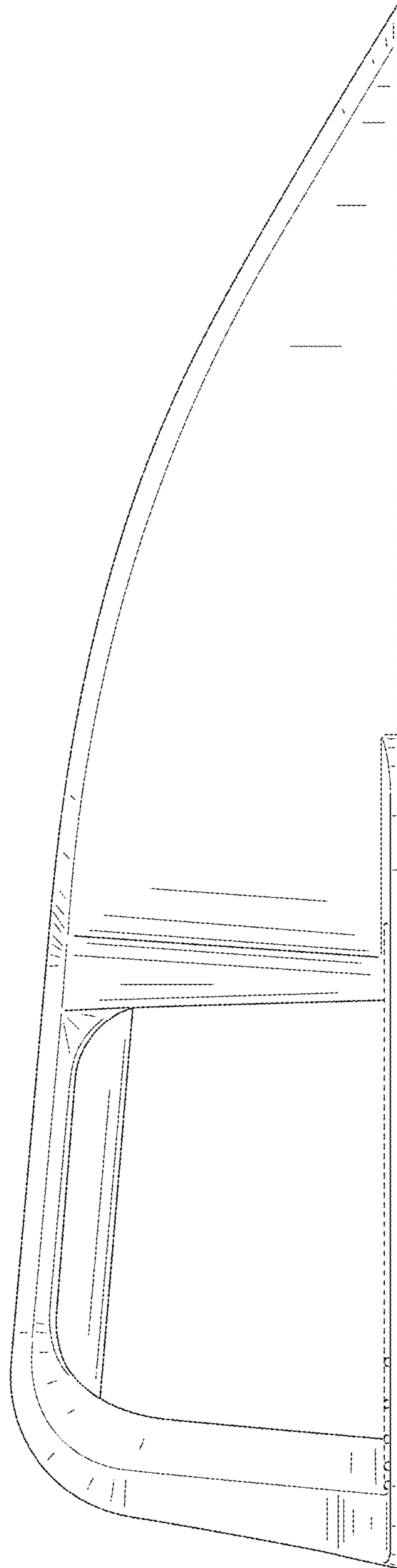


FIG. 4

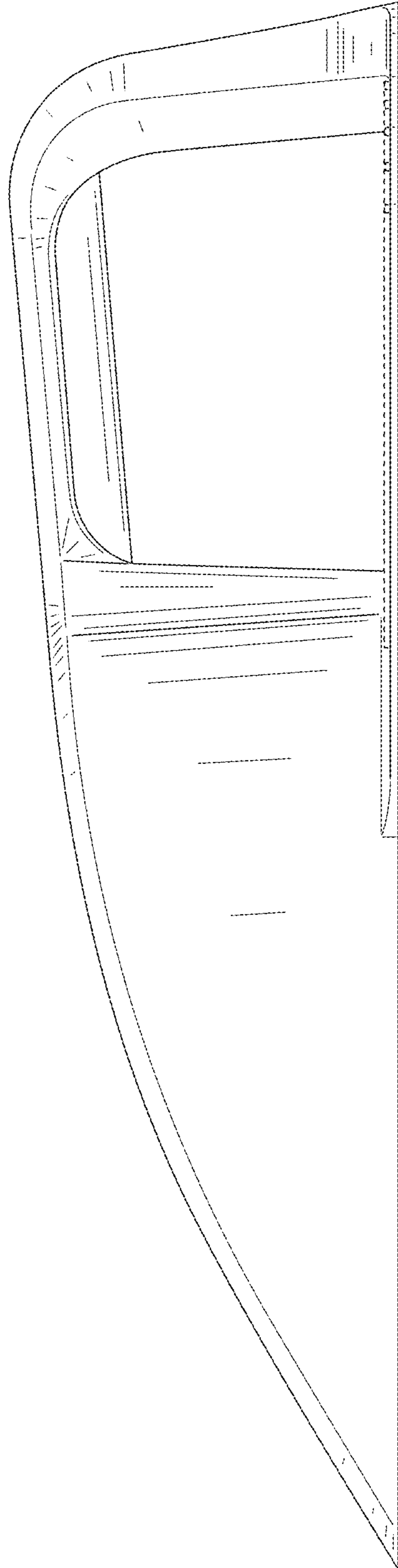


FIG. 5

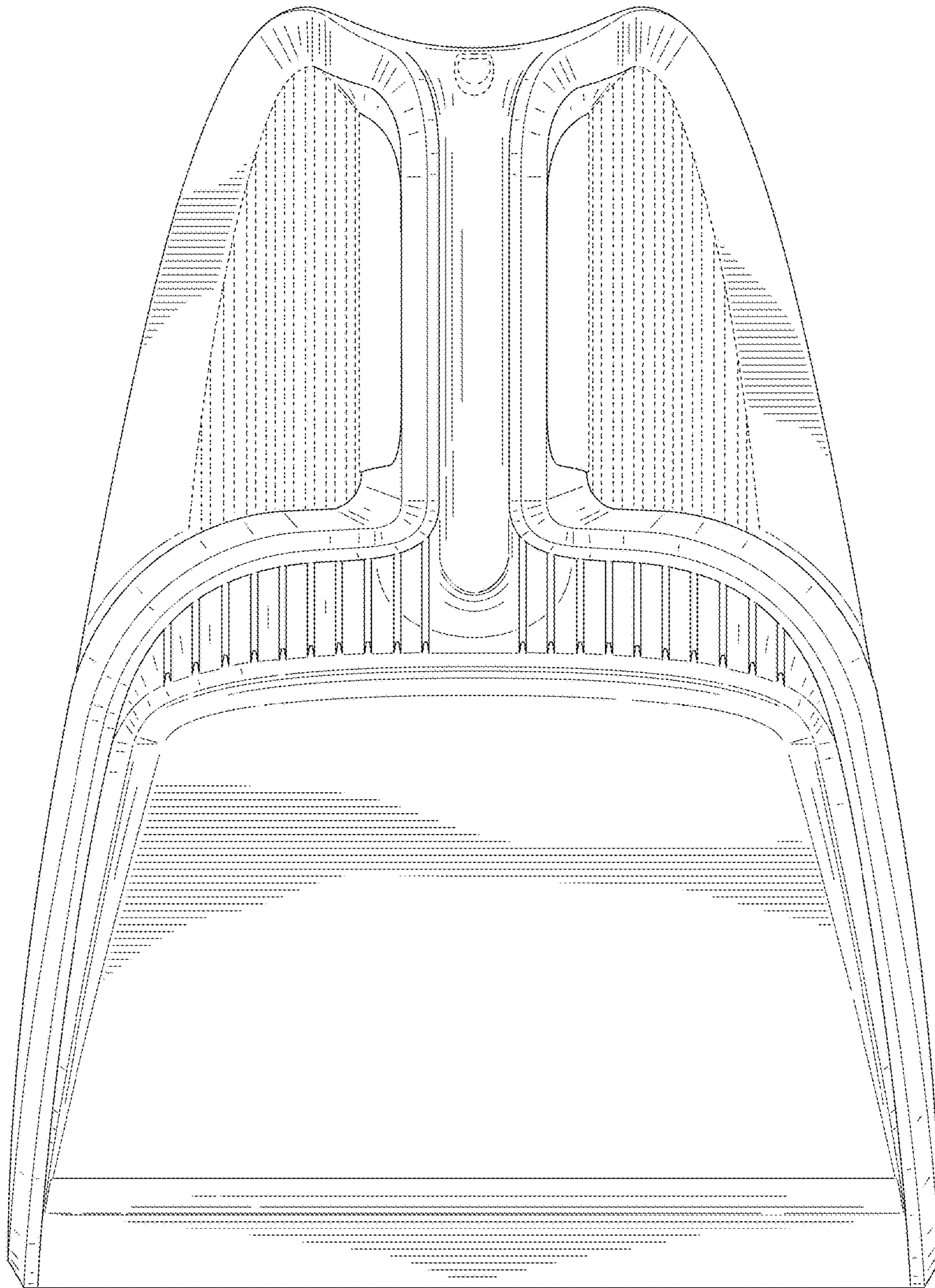


FIG. 6