

US00D814731S

(12) **United States Design Patent**  
**Barquin et al.**

(10) **Patent No.:** **US D814,731 S**

(45) **Date of Patent:** **\*\* Apr. 3, 2018**

(54) **STEAM STATION**

(71) Applicant: **Spectrum Brands, Inc.**, Middleton, WI (US)

(72) Inventors: **Francisco Javier Barquin**, Madison, WI (US); **Darek J. Koszylko**, Dane, WI (US)

(73) Assignee: **Spectrum Brands, Inc.**, Middleton, WI (US)

(\*\*) Term: **15 Years**

(21) Appl. No.: **29/597,658**

(22) Filed: **Mar. 17, 2017**

(51) **LOC (11) Cl.** ..... **07-05**

(52) **U.S. Cl.**  
USPC ..... **D32/73**

(58) **Field of Classification Search**  
USPC ..... D32/70, 71, 73, 72, 69, 68, 35; D8/373, D8/349, 396, 30; D15/144, 144.2; D28/73; 219/231, 242, 229; 165/80.1; 126/414

CPC ..... D06F 75/34; D06F 75/08; D06F 75/38; D06F 75/00; F22B 27/14; B08B 3/006

See application file for complete search history.

(56) **References Cited**

**U.S. PATENT DOCUMENTS**

D439,023 S *	3/2001	Powell	.....	D32/73
D463,641 S *	9/2002	Powell	.....	D32/71
D470,637 S *	2/2003	Berthier	.....	D32/73
D470,986 S *	2/2003	Berthier	.....	D32/73
D484,658 S *	12/2003	Schupp	.....	D32/73
D581,620 S *	11/2008	Chu	.....	D32/68
D693,083 S *	11/2013	Smith	.....	D32/71

D707,904 S *	6/2014	Salagnac	.....	D32/71
D738,060 S *	9/2015	La Rovere	.....	D32/71
D738,587 S *	9/2015	La Rovere	.....	D32/71
D745,238 S *	12/2015	Orthey	.....	D32/71
D759,330 S *	6/2016	Luang	.....	D32/71
D759,331 S *	6/2016	Salagnac	.....	D32/71
D772,515 S *	11/2016	Orthey	.....	D32/73

**OTHER PUBLICATIONS**

“Rowenta Perfect Steam Station DG8520;” Rowenta; disclosure date unknown but prior to filing date of present application; <URL: <http://www.rowentausa.com/LINEN-CARE/STEAM-STATION/PERFECT-STEAM-STATION-DG8520/p/1830005299>>.

“Rowenta Compact Steam Station DG7530;” Rowenta; disclosure date unknown but prior to filing date of present application; <URL: <http://www.rowentausa.com/LINEN-CARE/STEAM-STATION/COMPACT-STEAM-STATION-DG7530/p/1830005479>>.

\* cited by examiner

*Primary Examiner* — Austin Murphy

(74) *Attorney, Agent, or Firm* — Banner & Witcoff, Ltd.

(57) **CLAIM**

The ornamental design for a steam station, as shown and described.

**DESCRIPTION**

FIG. 1 is a front perspective view of a steam station showing our new design;

FIG. 2 is a right side view thereof;

FIG. 3 is a left side view thereof;

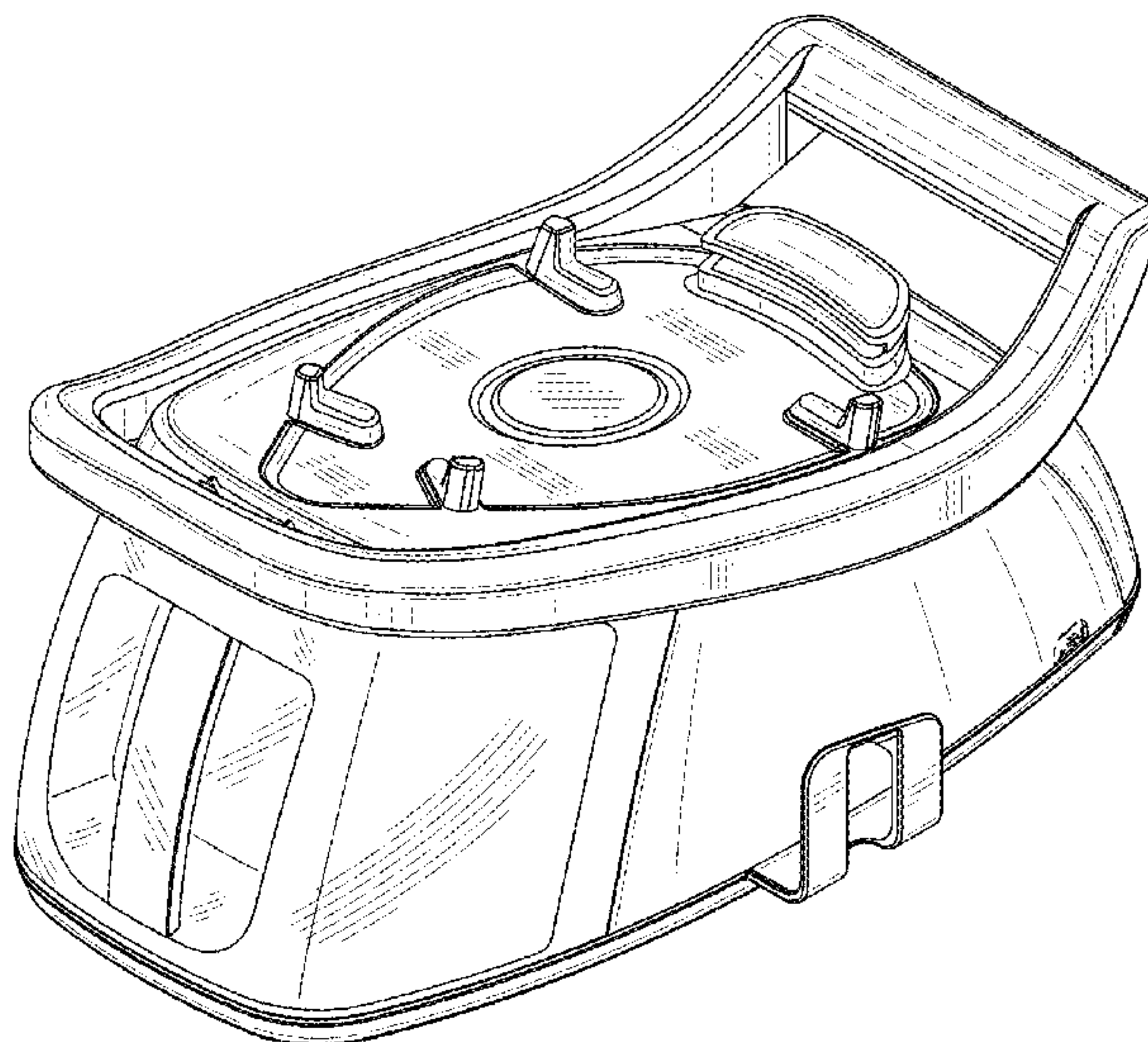
FIG. 4 is a front view thereof;

FIG. 5 is a rear view thereof; and,

FIG. 6 is a top view thereof.

The broken line showing of the various unshaded elements of the steam station represents unclaimed subject matter and forms no part of the claimed design.

**1 Claim, 6 Drawing Sheets**



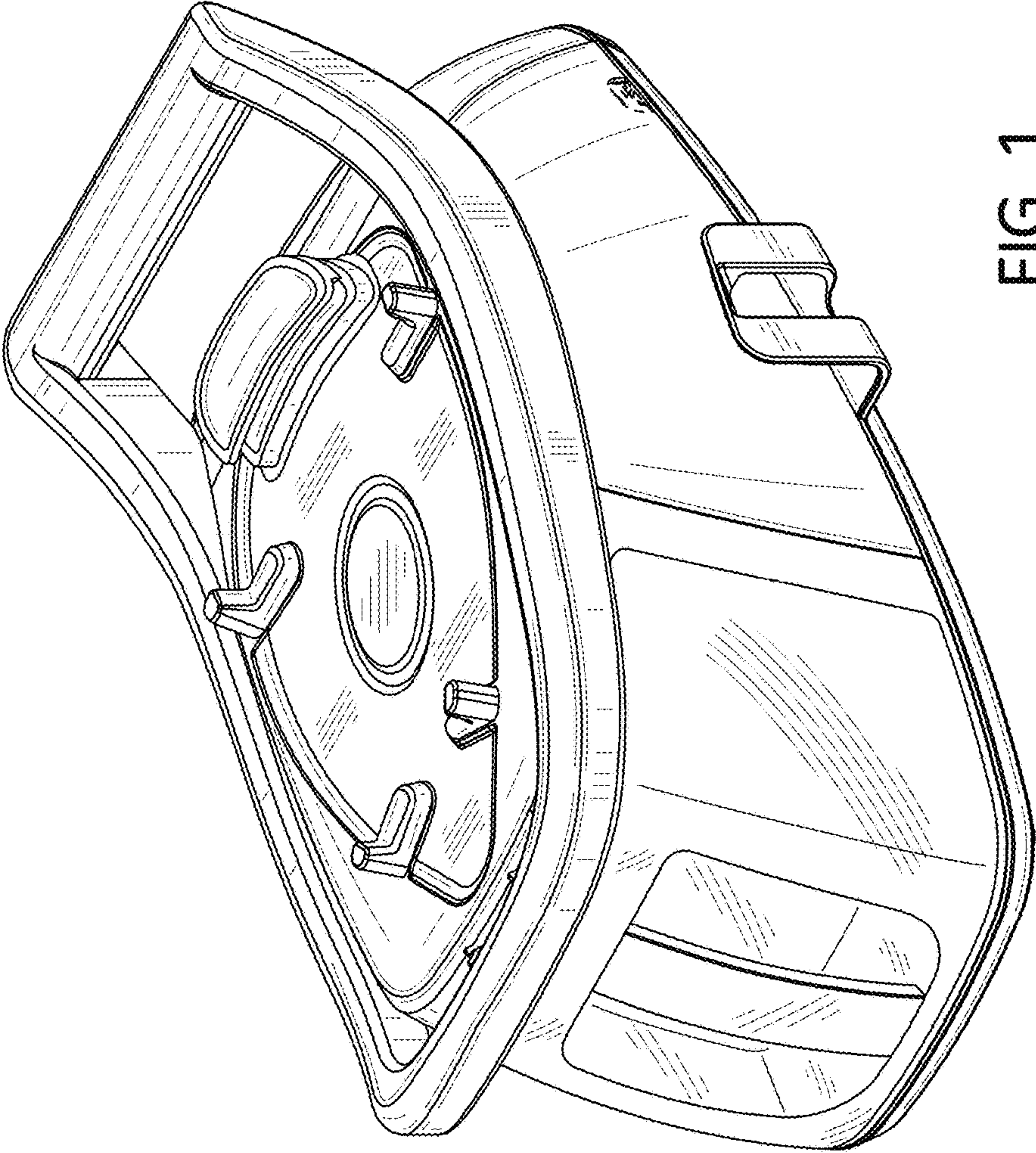


FIG. 1

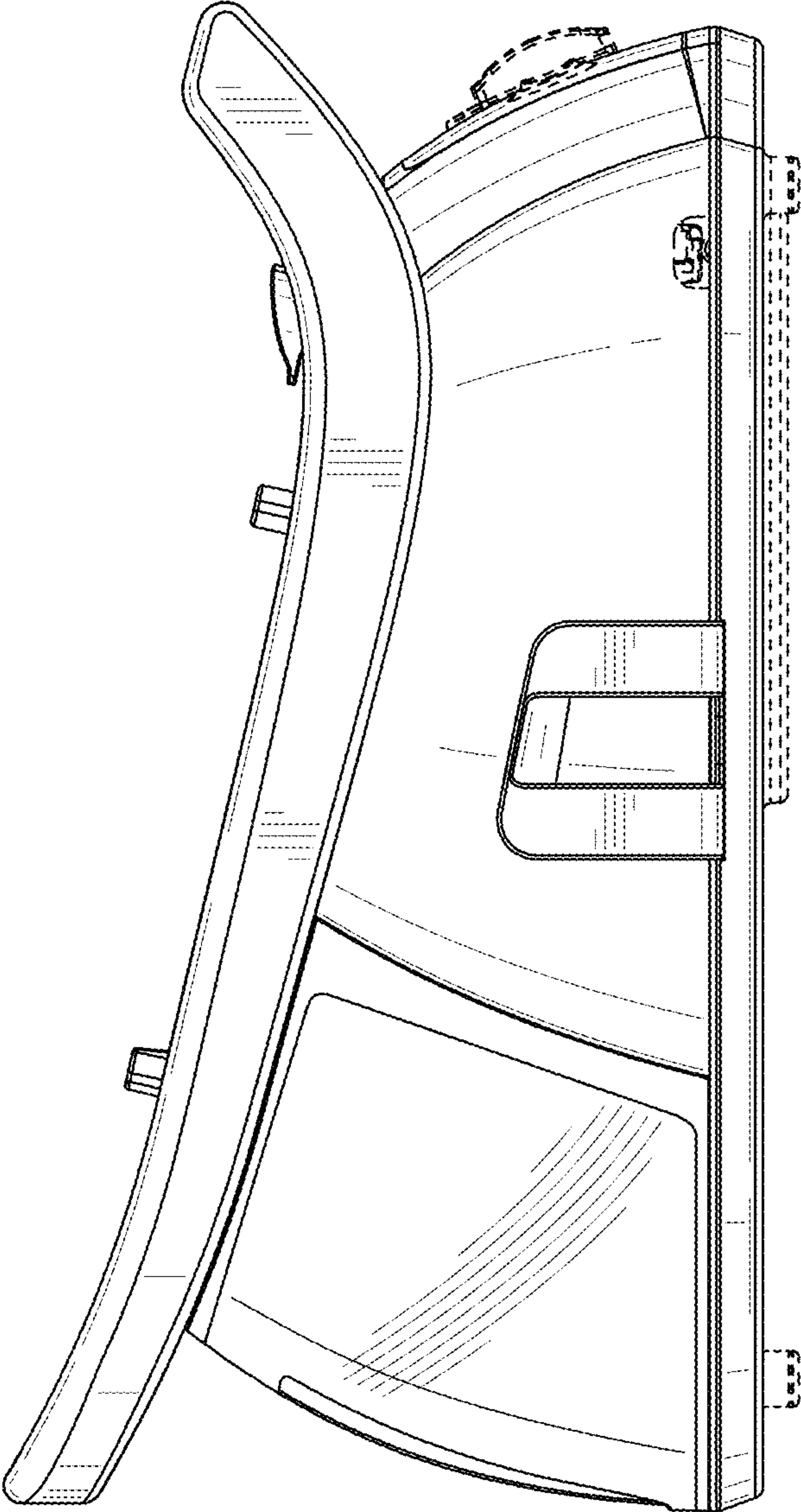


FIG. 2



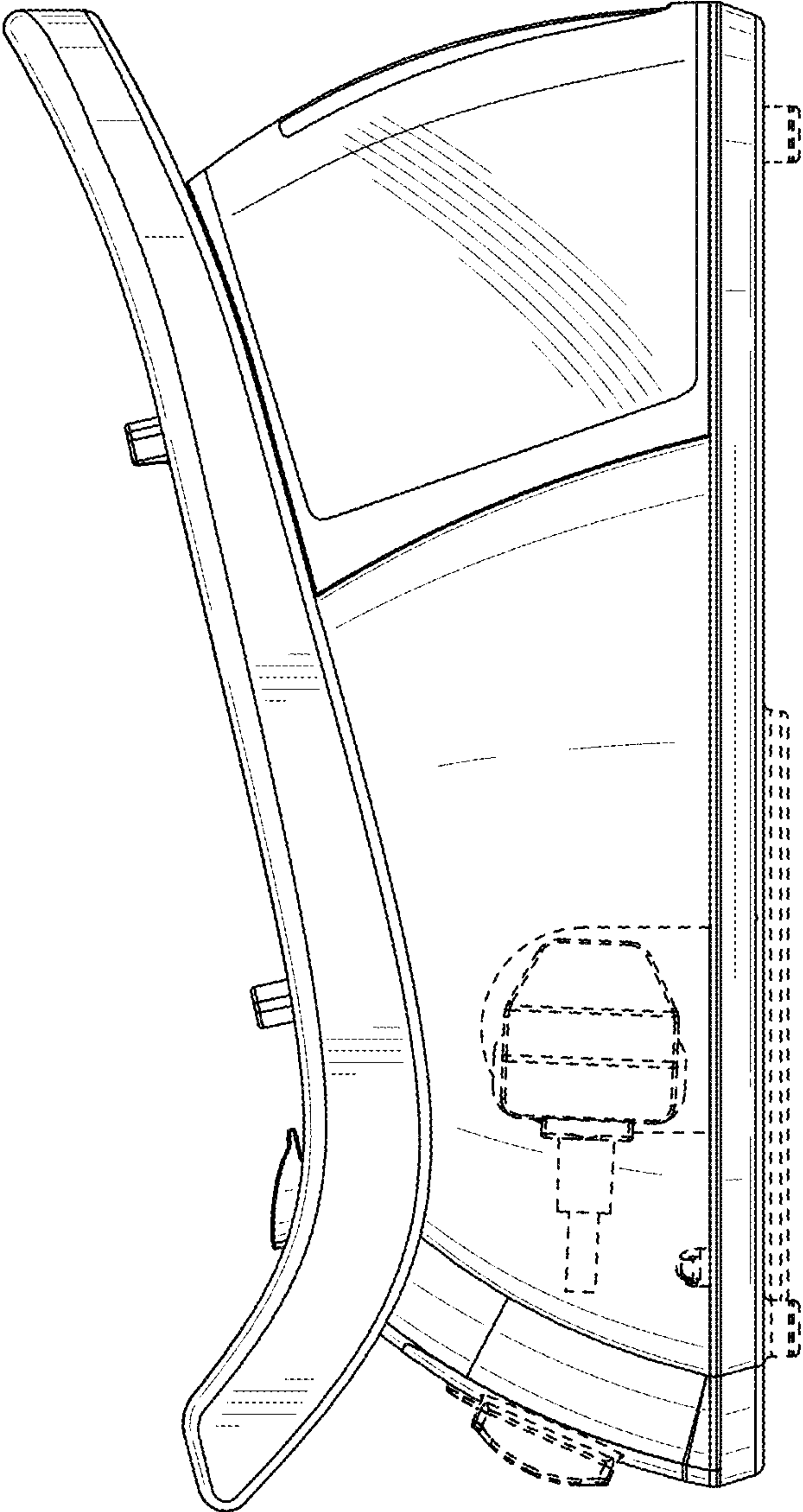


FIG. 3

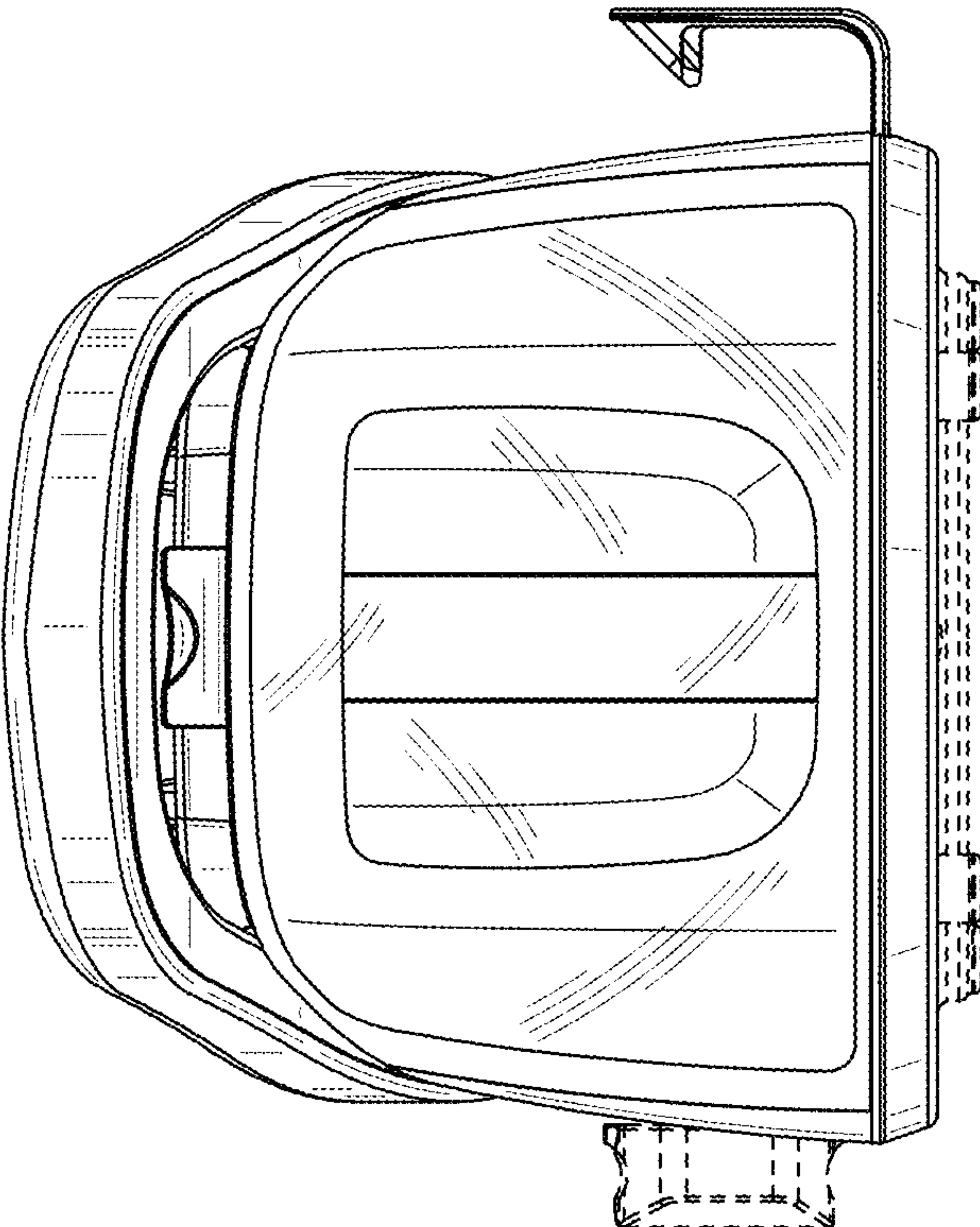


FIG. 4

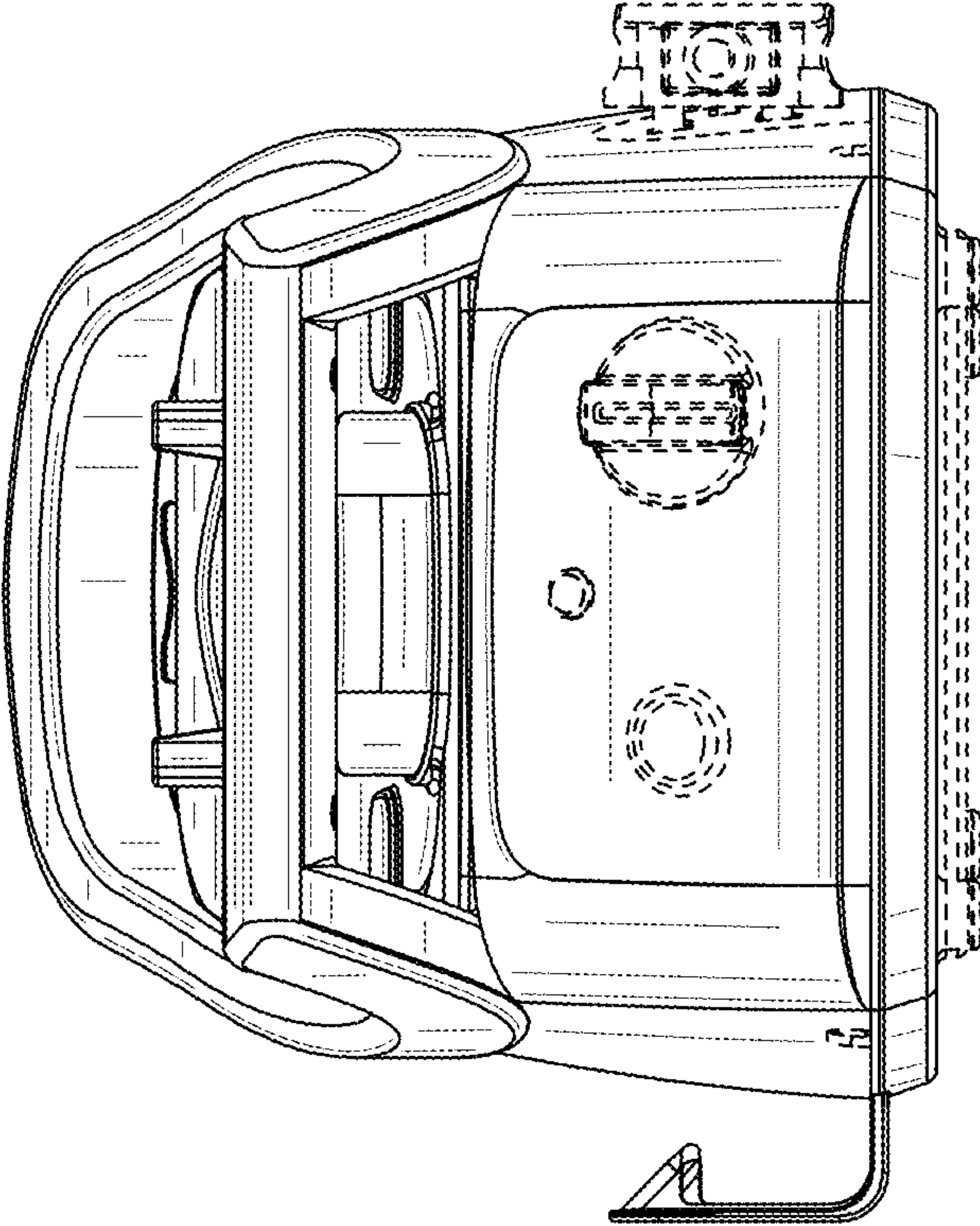


FIG. 5

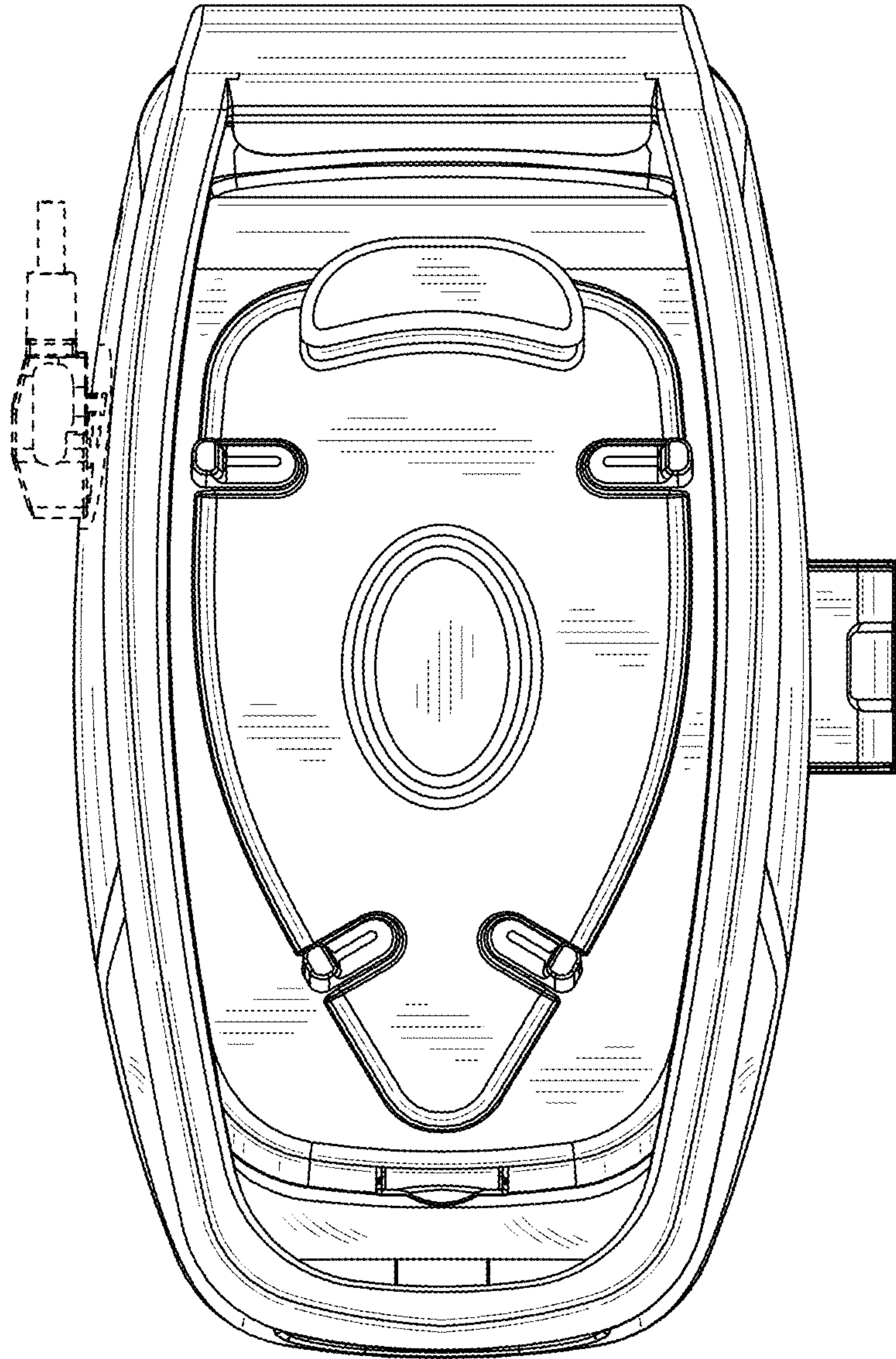


FIG. 6