



US00D814728S

(12) **United States Design Patent**  
**Duve**

(10) **Patent No.:** **US D814,728 S**  
(45) **Date of Patent:** **\*\* Apr. 3, 2018**

(54) **SCRAPER EDGED POOL SKIMMER BAG**

(71) Applicant: **Robert F. Duve**, Clarence, NY (US)

(72) Inventor: **Robert F. Duve**, Clarence, NY (US)

(\*\*) Term: **15 Years**

(21) Appl. No.: **29/505,307**

(22) Filed: **Sep. 9, 2015**

(51) **LOC (11) Cl.** ..... **08-99**

(52) **U.S. Cl.**  
USPC ..... **D32/46**

(58) **Field of Classification Search**  
USPC ..... D32/35, 46, 49, 42; D22/135;  
D23/209-210

CPC ..... A47L 13/08; A47L 17/06; A47L 13/022;  
A47L 1/16; A63F 3/068; B29C 63/0047;  
B60S 3/045; B27G 17/00; B60J 3/0295;  
B25B 13/48; B25G 1/04; B25G 3/26;  
B05C 17/0205; A45B 9/02

See application file for complete search history.

(56) **References Cited**

**U.S. PATENT DOCUMENTS**

- 3,220,037 A \* 11/1965 Ruhling ..... E04H 4/1609  
15/1.7
- 4,846,972 A \* 7/1989 Anderson ..... E04H 4/1609  
15/1.7
- D316,619 S 4/1991 Richarson
- D330,444 S \* 10/1992 Wall ..... D22/135
- 6,302,277 B1 \* 10/2001 Resh ..... B01D 29/27  
15/1.7
- 6,358,410 B1 3/2002 Lambert

- D488,602 S \* 4/2004 Pecci ..... D32/35
- D492,825 S \* 7/2004 Pecci ..... D32/35
- D555,853 S 11/2007 Brown
- D638,182 S \* 5/2011 Rossano ..... D32/35
- D638,183 S 5/2011 Rossano
- D668,053 S 10/2012 Cummings
- D761,498 S \* 7/2016 Minter ..... D30/162
- D762,929 S \* 8/2016 Minter ..... D30/162
- D763,520 S \* 8/2016 Runyan ..... D30/162

\* cited by examiner

*Primary Examiner* — Michael A. Pratt

*Assistant Examiner* — Michelle E Wilson

(74) *Attorney, Agent, or Firm* — Simpson & Simpson,  
PLLC

(57) **CLAIM**

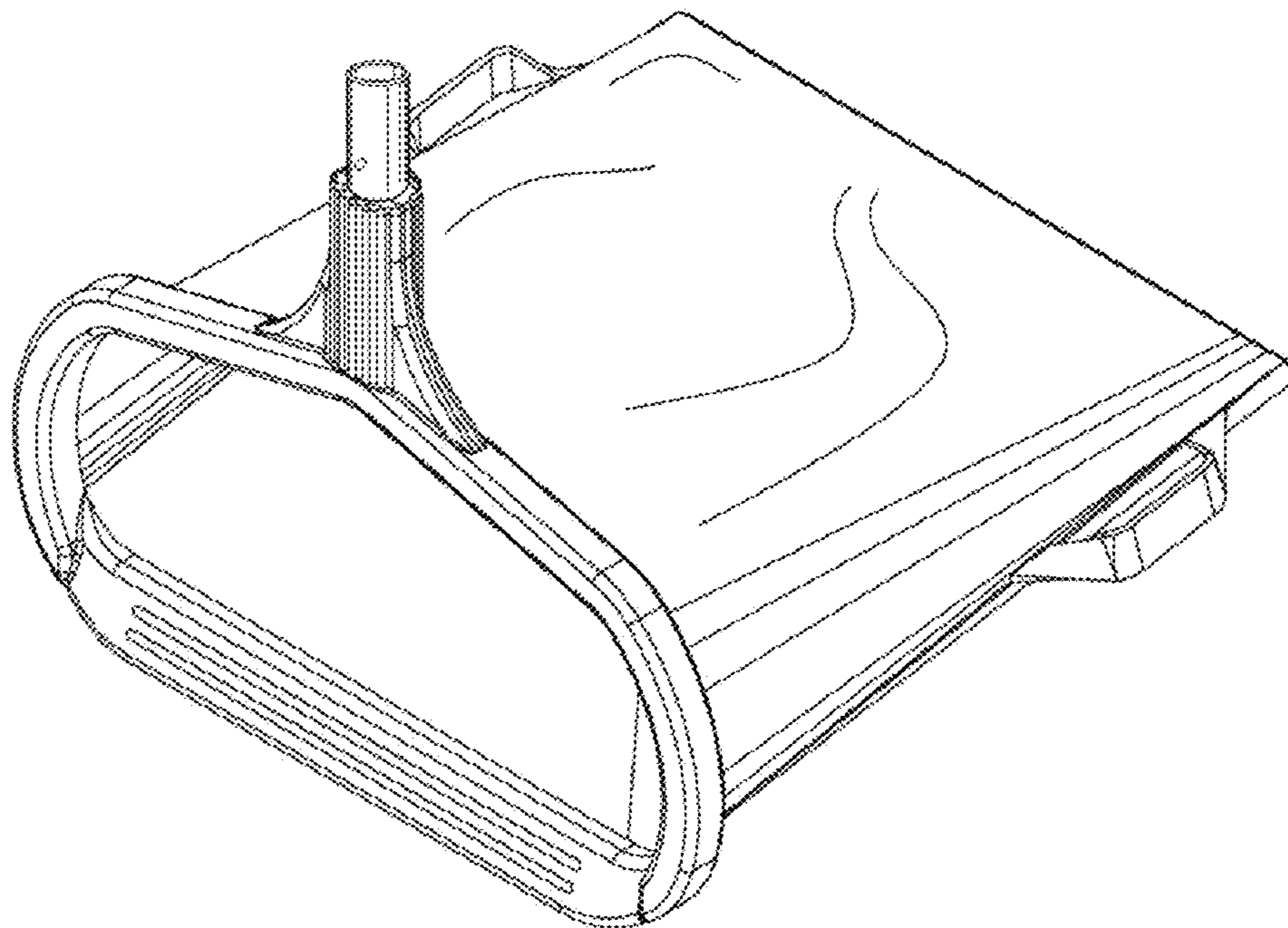
The ornamental design for a scraper edged pool skimmer bag, substantially as shown and described.

**DESCRIPTION**

FIG. 1 is a left perspective view of the present design.  
 FIG. 2 is a right perspective view of the present design.  
 FIG. 3 is a bottom view of the present design.  
 FIG. 4 is a top view of the present design.  
 FIG. 5 is a left side view of the present design.  
 FIG. 6 is a right side view of the present design.  
 FIG. 7 is a top view of the present design; and,  
 FIG. 8 is a bottom view of the present design.

The center portion of the skimmer includes symbols representing impervious material.

**1 Claim, 4 Drawing Sheets**



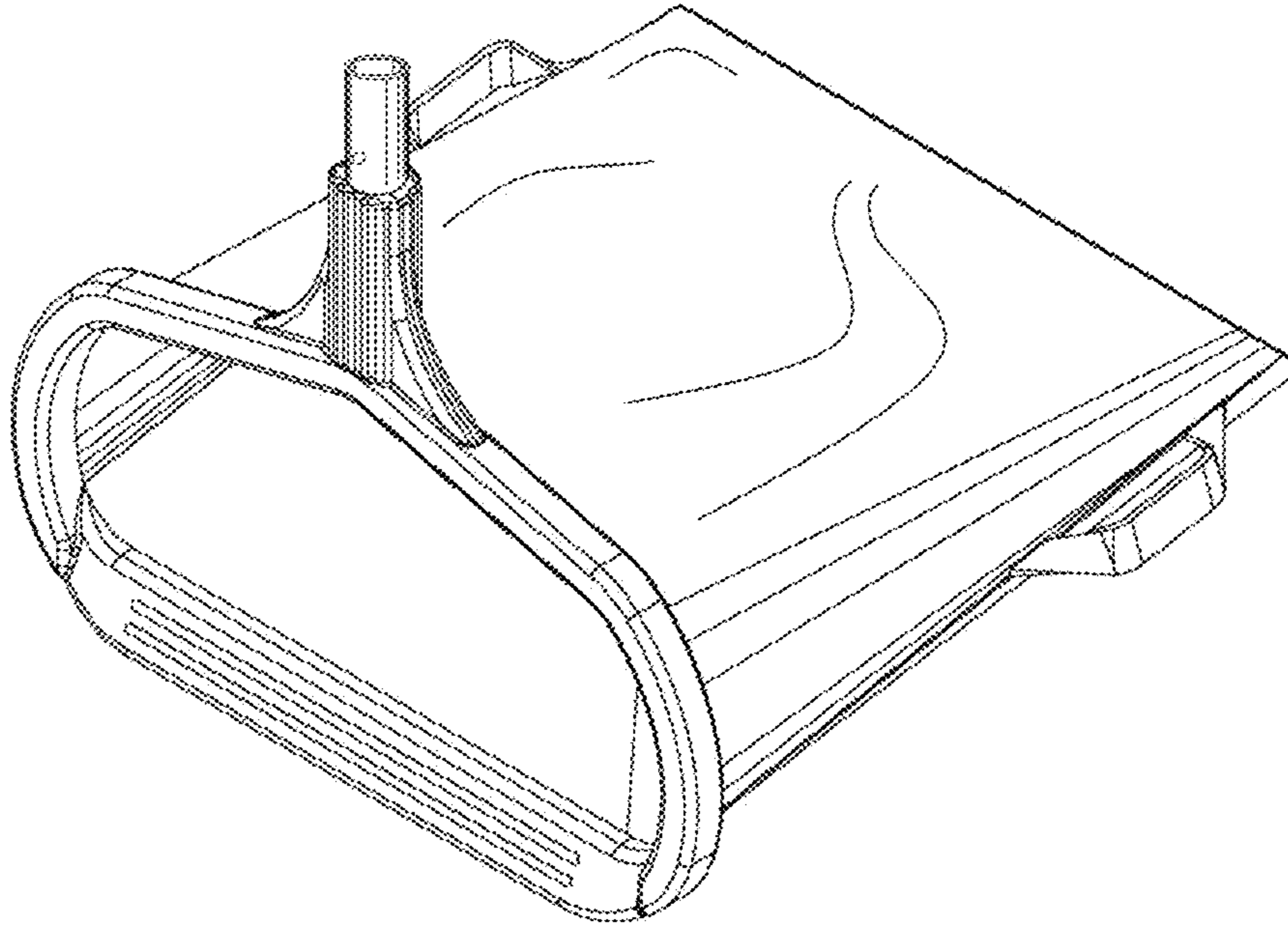


Fig.1

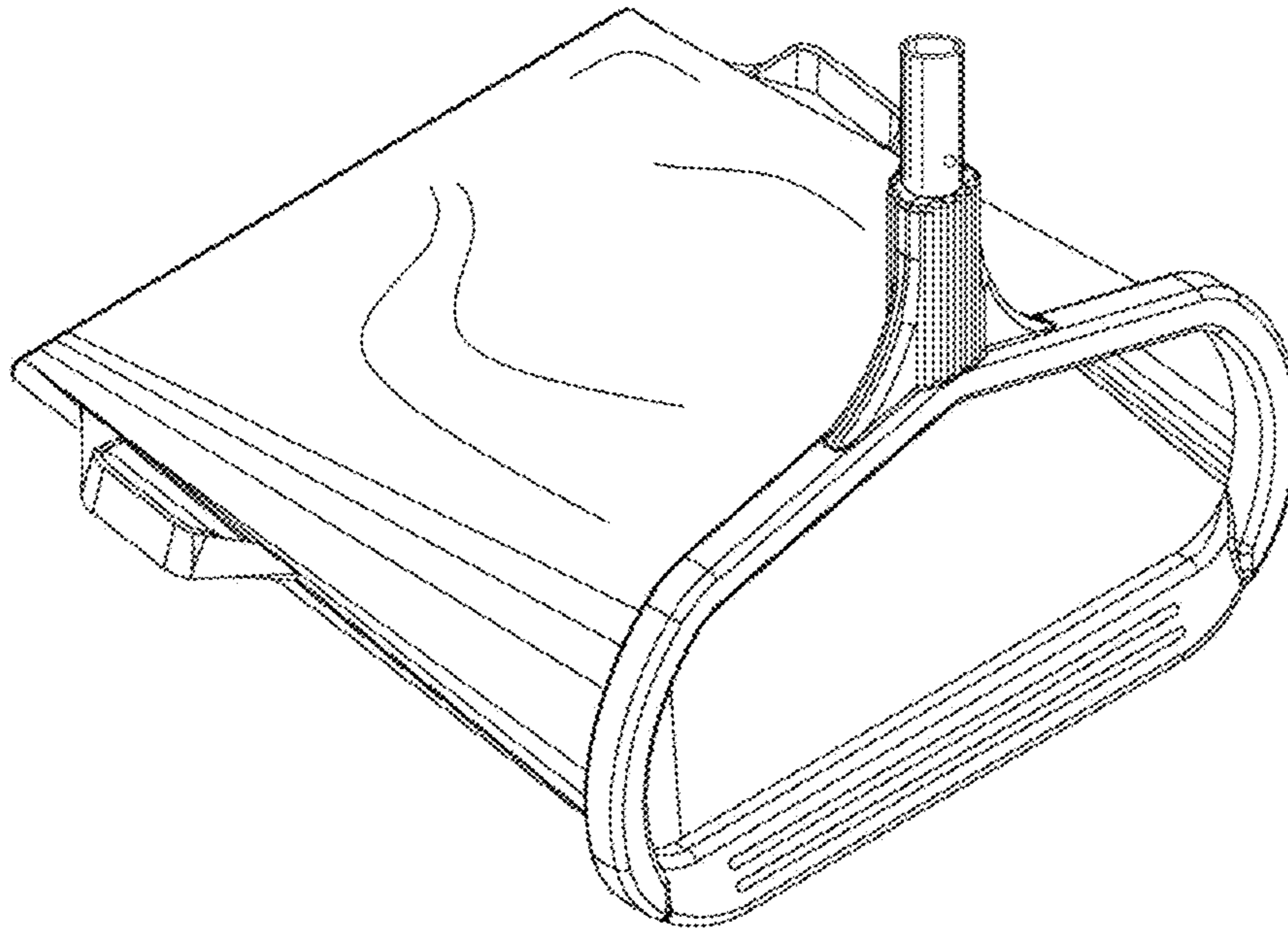
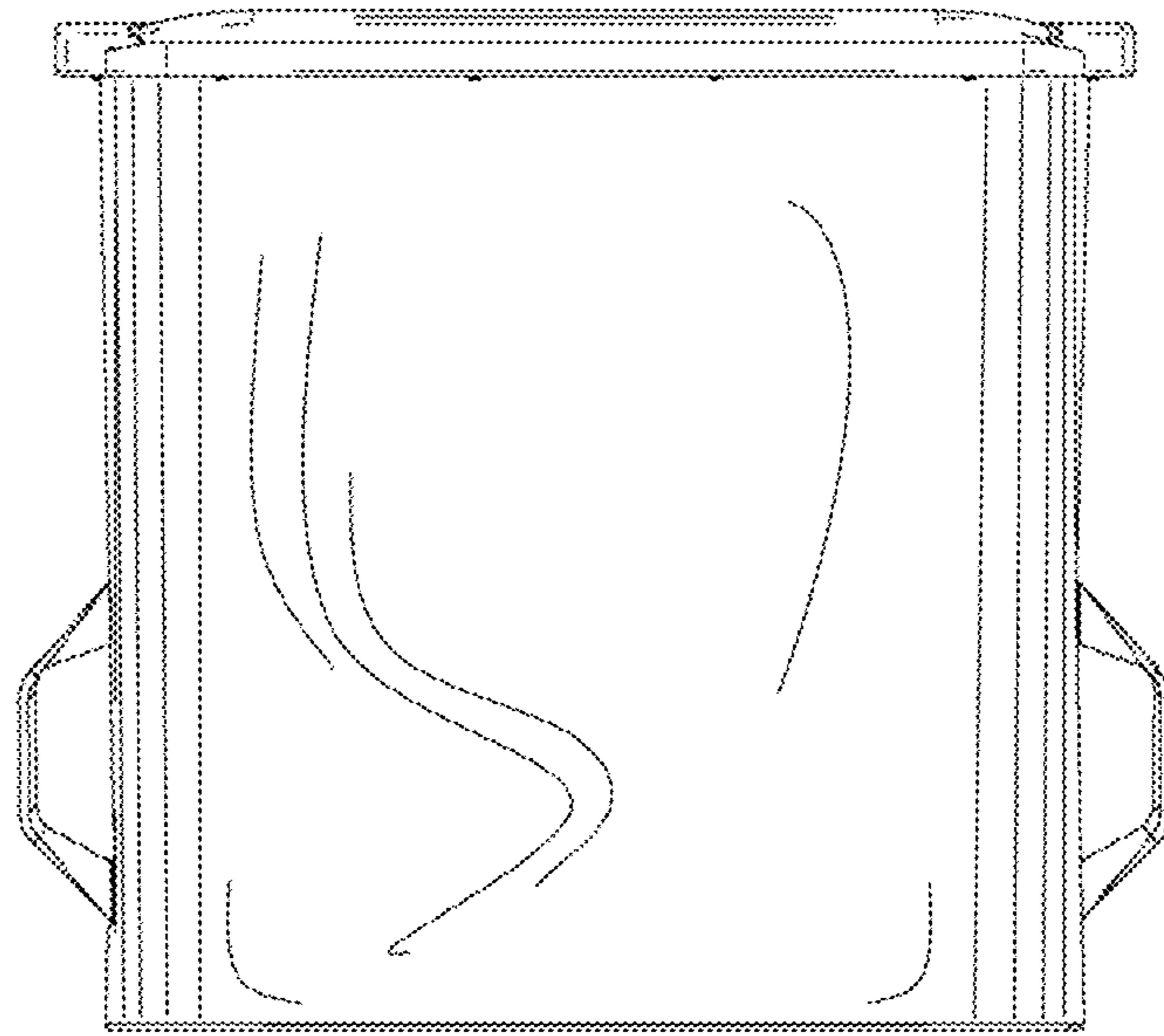
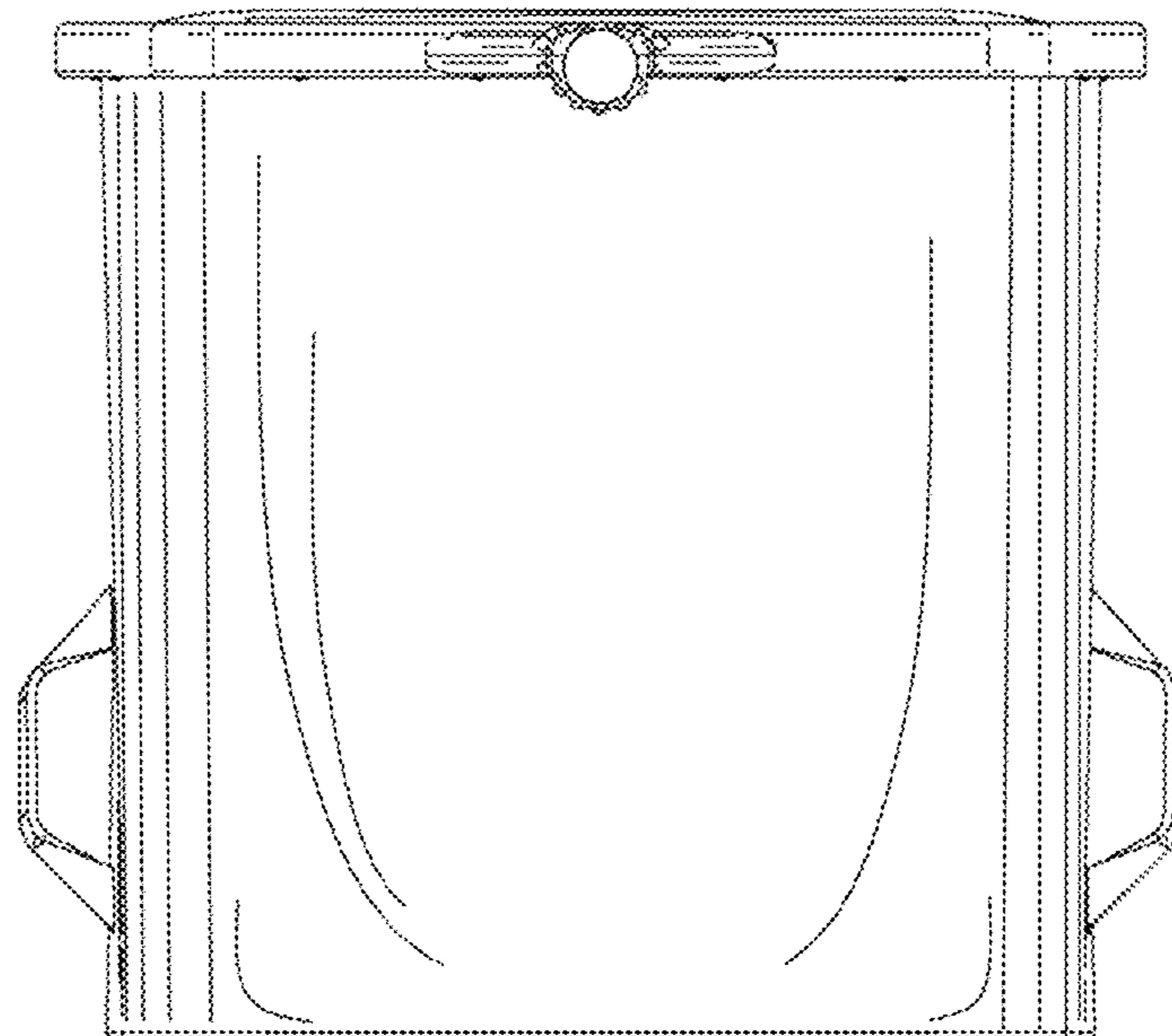


Fig.2



**Fig.3**



**Fig.4**



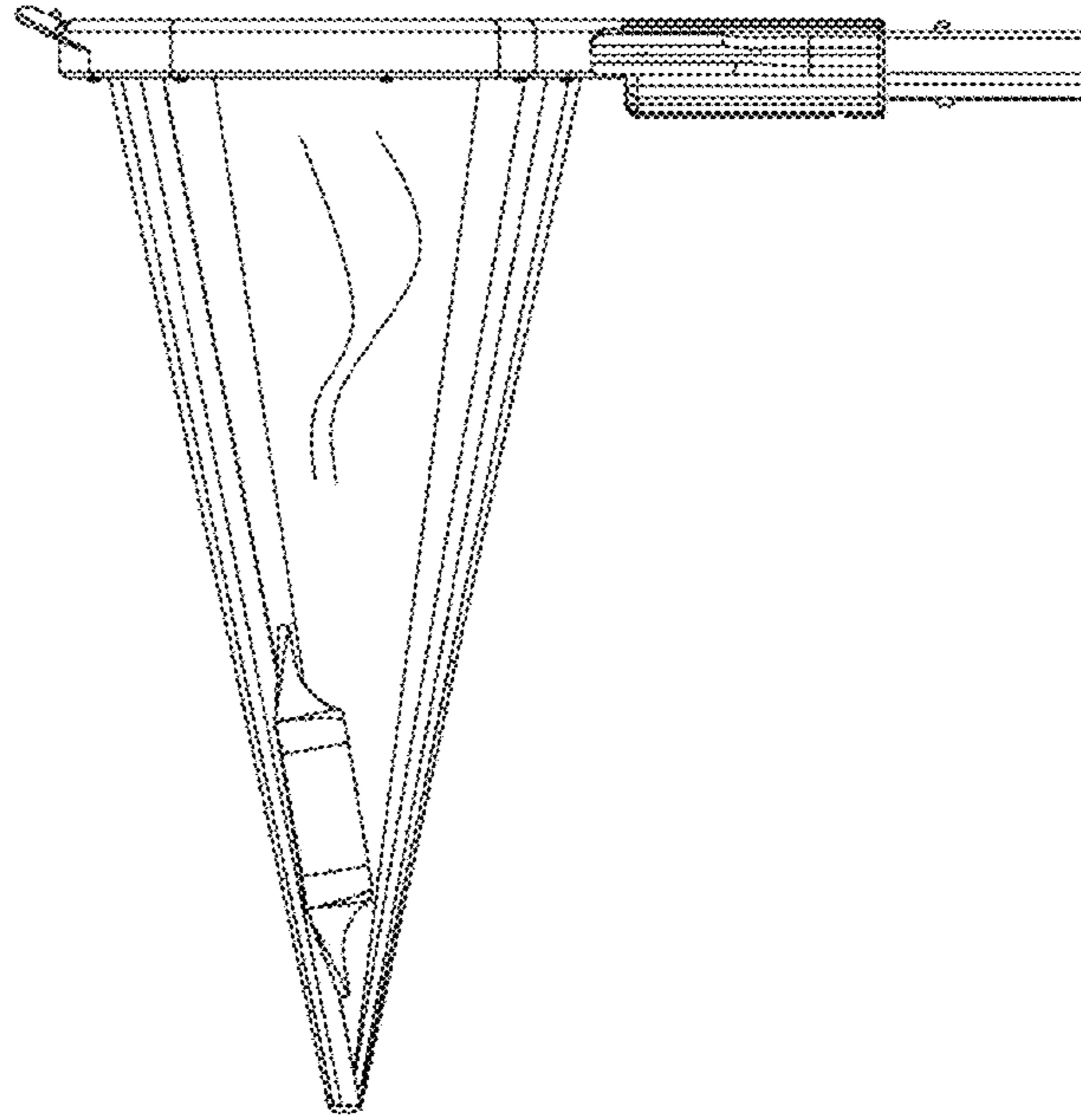


Fig.5

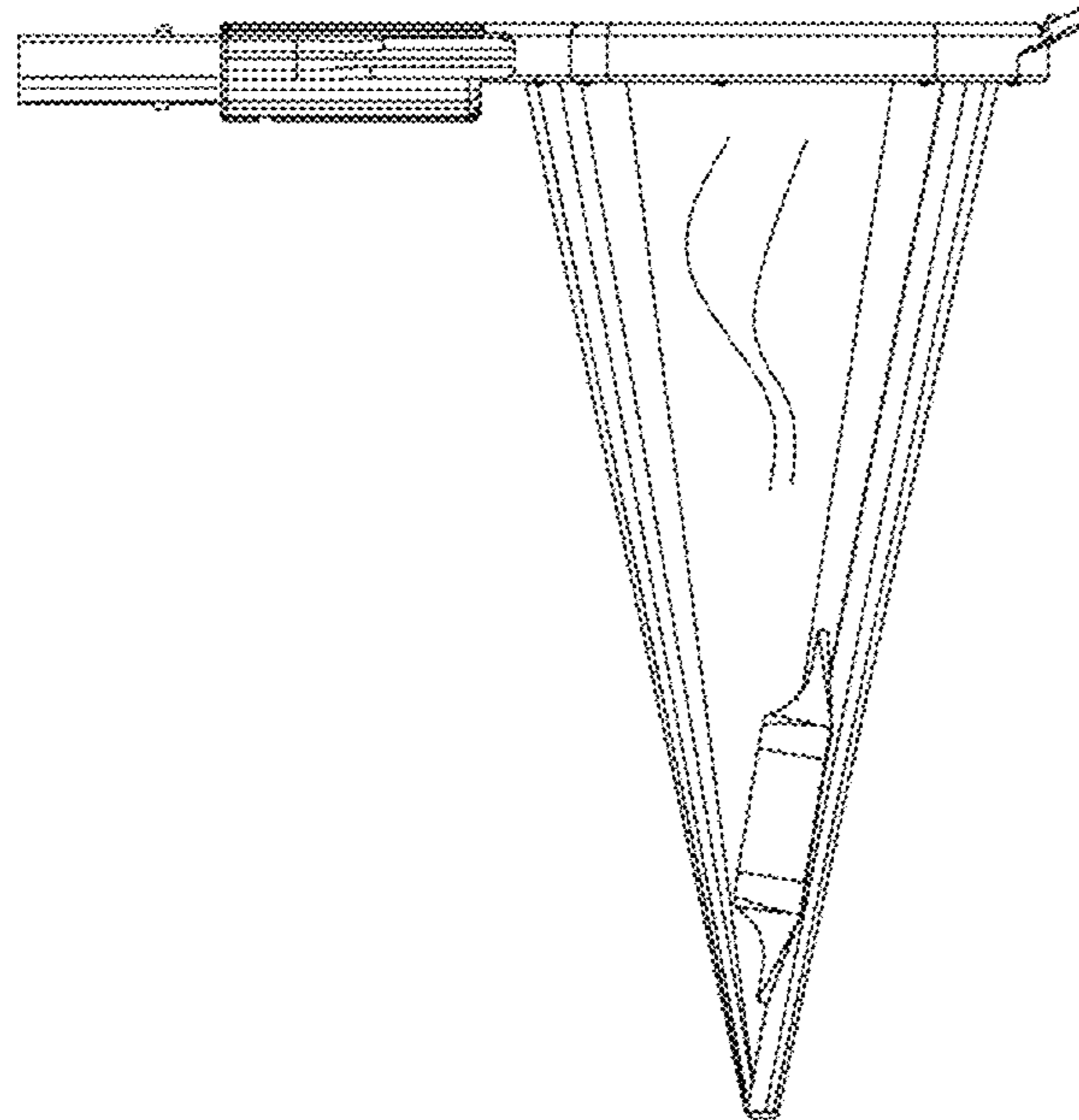


Fig.6

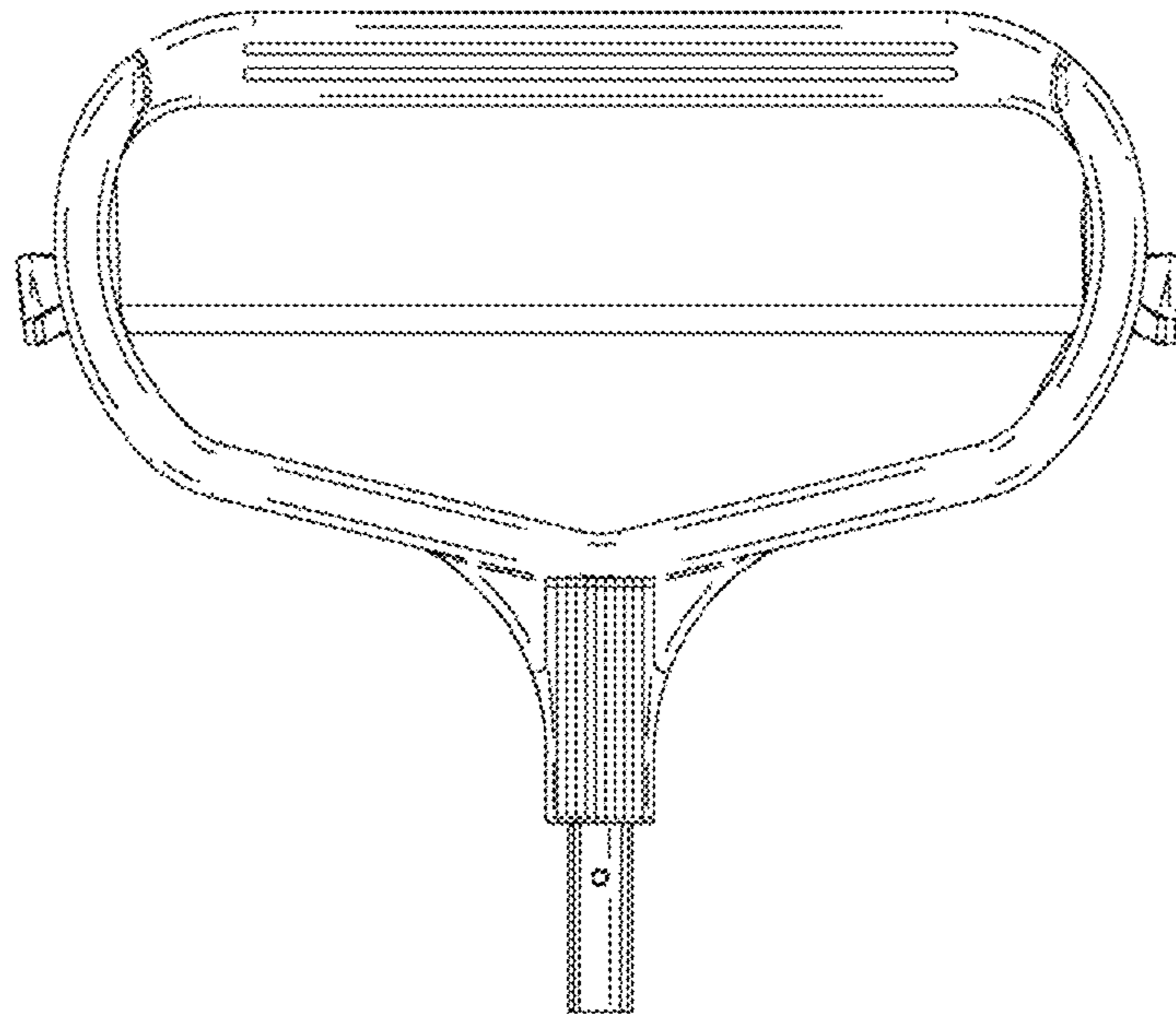


Fig.7

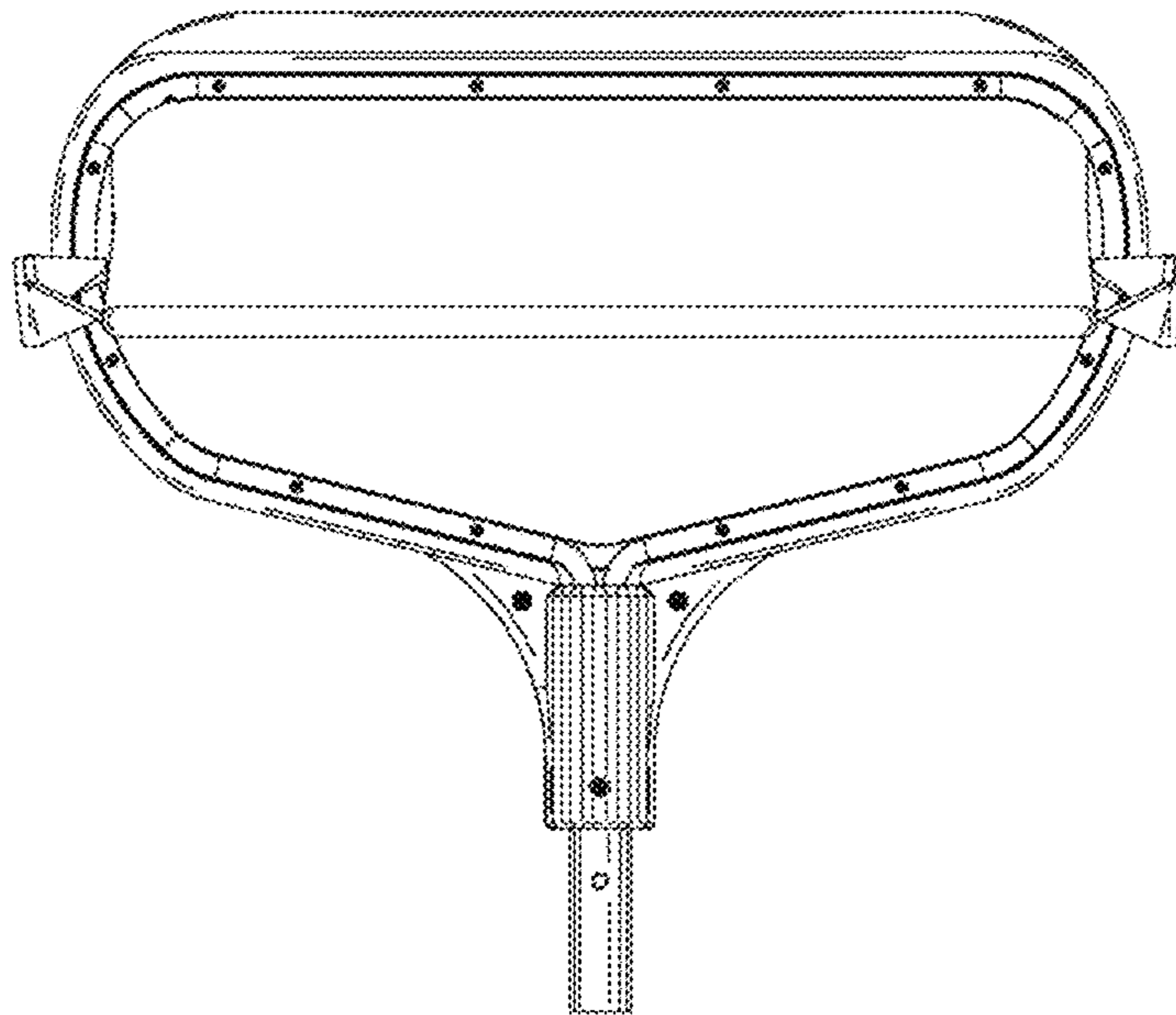


Fig.8