



US00D814727S

(12) **United States Design Patent**
Wehrlie

(10) **Patent No.:** **US D814,727 S**
(45) **Date of Patent:** **** Apr. 3, 2018**

(54) **GRILL BRUSH PAD**

(71) Applicant: **The Clorox Company**, Oakland, CA (US)

(72) Inventor: **Rory P. Wehrlie**, Oakland, CA (US)

(73) Assignee: **The Clorox Company**, Oakland, CA (US)

(**) Term: **15 Years**

(21) Appl. No.: **29/592,895**

(22) Filed: **Feb. 3, 2017**

(51) **LOC (11) Cl.** **07-05**

(52) **U.S. Cl.**
USPC **D32/40**

(58) **Field of Classification Search**
USPC D32/40-43, 46-49; D21/500-505;
D25/117; D8/70, 62
CPC A47L 13/22; A47L 13/312; B21D 53/76;
A47K 7/03
See application file for complete search history.

(56) **References Cited**

U.S. PATENT DOCUMENTS

1,877,527	A *	9/1932	Moran	B29C 44/10 15/244.4
2,132,757	A *	10/1938	Paulson	A63H 33/04 376/459
2,224,289	A *	12/1940	Chesler	B21D 53/76 15/447
2,288,714	A *	7/1942	Jones	A47L 1/15 106/13
3,015,834	A *	1/1962	Marrinson	A47L 13/254 15/104.94
3,220,040	A *	11/1965	Knaebe	A47K 7/028 15/147.1
D206,791	S *	1/1967	Martin	D4/137
D343,484	S *	1/1994	Moran	D32/40

(Continued)

FOREIGN PATENT DOCUMENTS

CN	300737944	*	1/2008
CN	303463087	*	11/2015
JP	D1461530	*	2/2016

OTHER PUBLICATIONS

Amazon.com: BambooMN Brand PLacemat, review date Jun. 29, 2013, https://www.amazon.com/BambooMN-Brand-Bamboo-Placemat-Rolling/dp/B0021Y69HG/ref=sr_1_14?s=home-garden&ie=UTF8&qid=1497925375&sr=1-14&keywords=bamboo+mat, [site visited Jun. 19, 2017 10:24:41 PM].*

(Continued)

Primary Examiner — John Windmuller

Assistant Examiner — John R Yeh

(74) *Attorney, Agent, or Firm* — Ann Lee

(57) **CLAIM**

The ornamental design for a grill brush pad, as shown and described.

DESCRIPTION

FIG. 1 is a top perspective view of a grill brush pad of the present invention;

FIG. 2 is a top view thereof;

FIG. 3 is a left side view, the right side being a mirror image thereof,

FIG. 4 is a front side view, the back side being a mirror image thereof,

FIG. 5 is a top perspective view of the grill brush pad in an alternative environment,

FIG. 6 is a left side view thereof, the right side being a mirror image thereof,

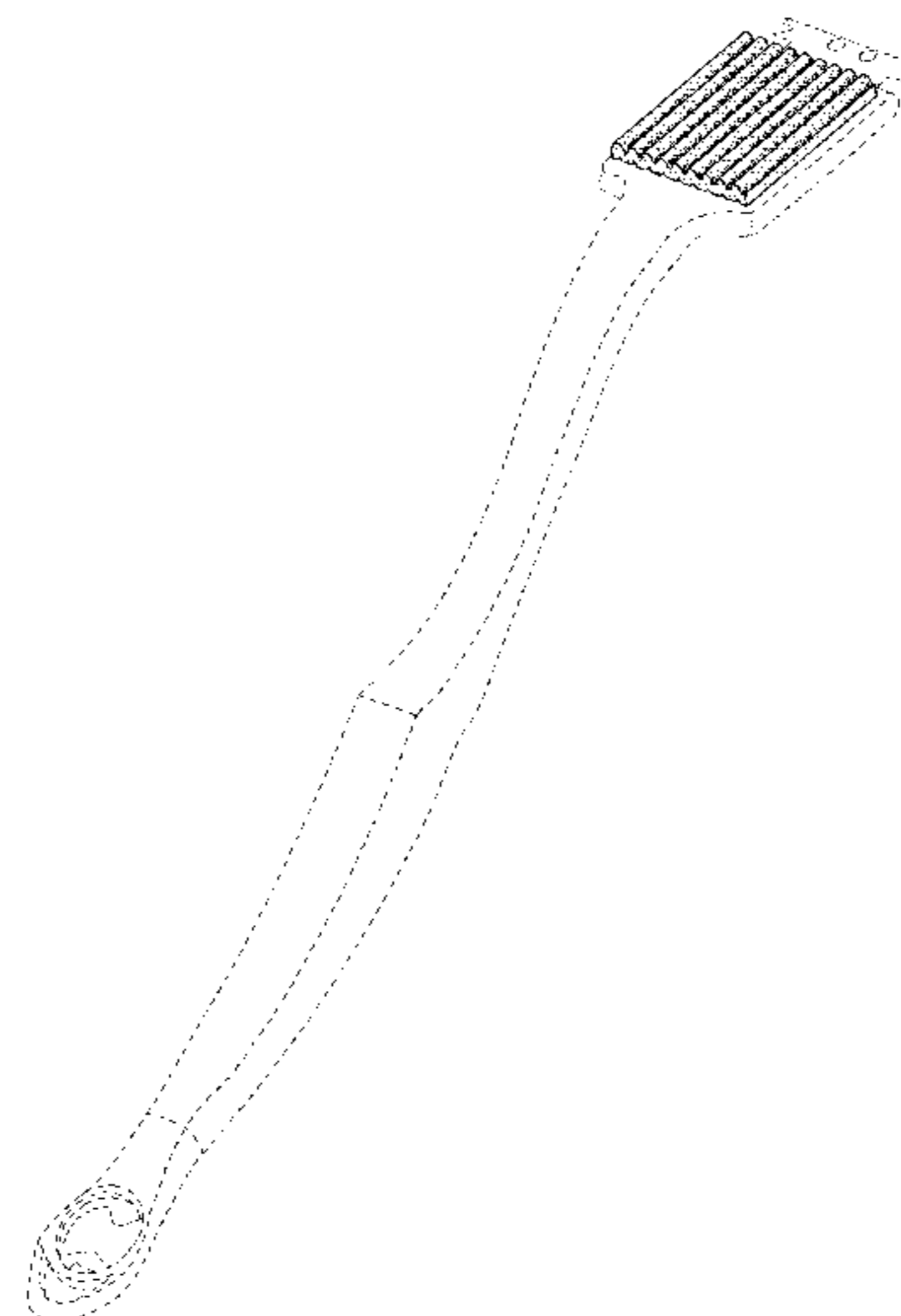
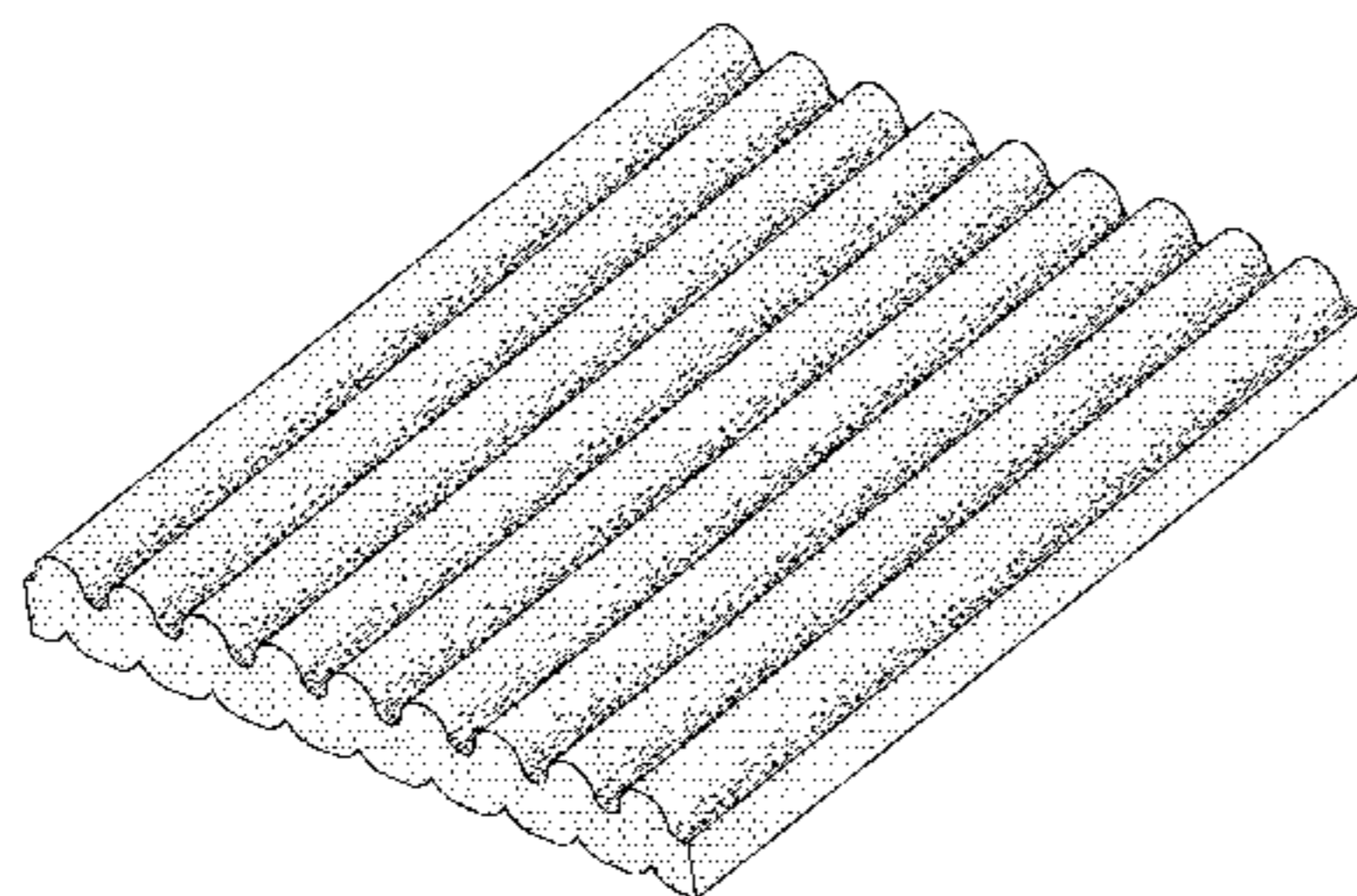
FIG. 7 is a top view thereof;

FIG. 8 is a front view thereof; and,

FIG. 9 is a back view thereof.

The broken lines showing environmental structure are for illustrative purposes only and form no part of the claimed design.

1 Claim, 6 Drawing Sheets



(56)

References Cited

U.S. PATENT DOCUMENTS

5,312,197 A * 5/1994 Abramson A46B 9/02
15/105
D358,491 S 5/1995 Hoagland
D417,324 S 11/1999 Farls
D429,889 S * 8/2000 Fielding D32/42
D455,272 S 4/2002 Zemel
D456,614 S 5/2002 Zemel
D489,537 S * 5/2004 Wong D5/53
D532,609 S 11/2006 Zemel
7,210,188 B1 * 5/2007 Kirby A47L 13/16
15/244.1
D559,486 S * 1/2008 Kiyotomo D32/40
D578,718 S * 10/2008 Bettanin D32/40
D590,600 S 4/2009 Dow
D601,349 S 10/2009 Wales
D649,312 S * 11/2011 Adams D32/40
D667,187 S * 9/2012 Sowinski D32/40
8,341,797 B2 * 1/2013 Young A47L 13/20
15/208
D718,086 S * 11/2014 Lewis D7/391

D742,497 S * 11/2015 D'Amico D23/366
D767,840 S * 9/2016 Yamauchi D32/40
2005/0235445 A1 * 10/2005 Wycech A47K 7/03
15/104.93
2011/0058934 A1 * 3/2011 James B21D 53/76
415/177
2017/0165720 A1 * 6/2017 Wang B08B 1/006

OTHER PUBLICATIONS

Etsy Studio curogated cardboard sheets, review date May 15, 2014, site visited 9/189/17, <https://www.etsystudio.com/listing/121171153/8-medium-sheets-9-x-5-34-corrugated#reviews>.
*
“Corrugated Ramp-Cleat” Rubber Runners, website 2014, <http://www.floormatcompany.com/door mats/commercial-entrance-mats/corrugated-ramp-cleat-rubber-runners.html>, [site visited Jun. 19, 2017 10:08:44 PM].*
Soap Packing Idea with Corrugated Cardboard, publish date Nov. 10, 2014, <https://www.pinterest.com/pin/16958936076577569/>, site visited Jun. 19, 2017.*

* cited by examiner

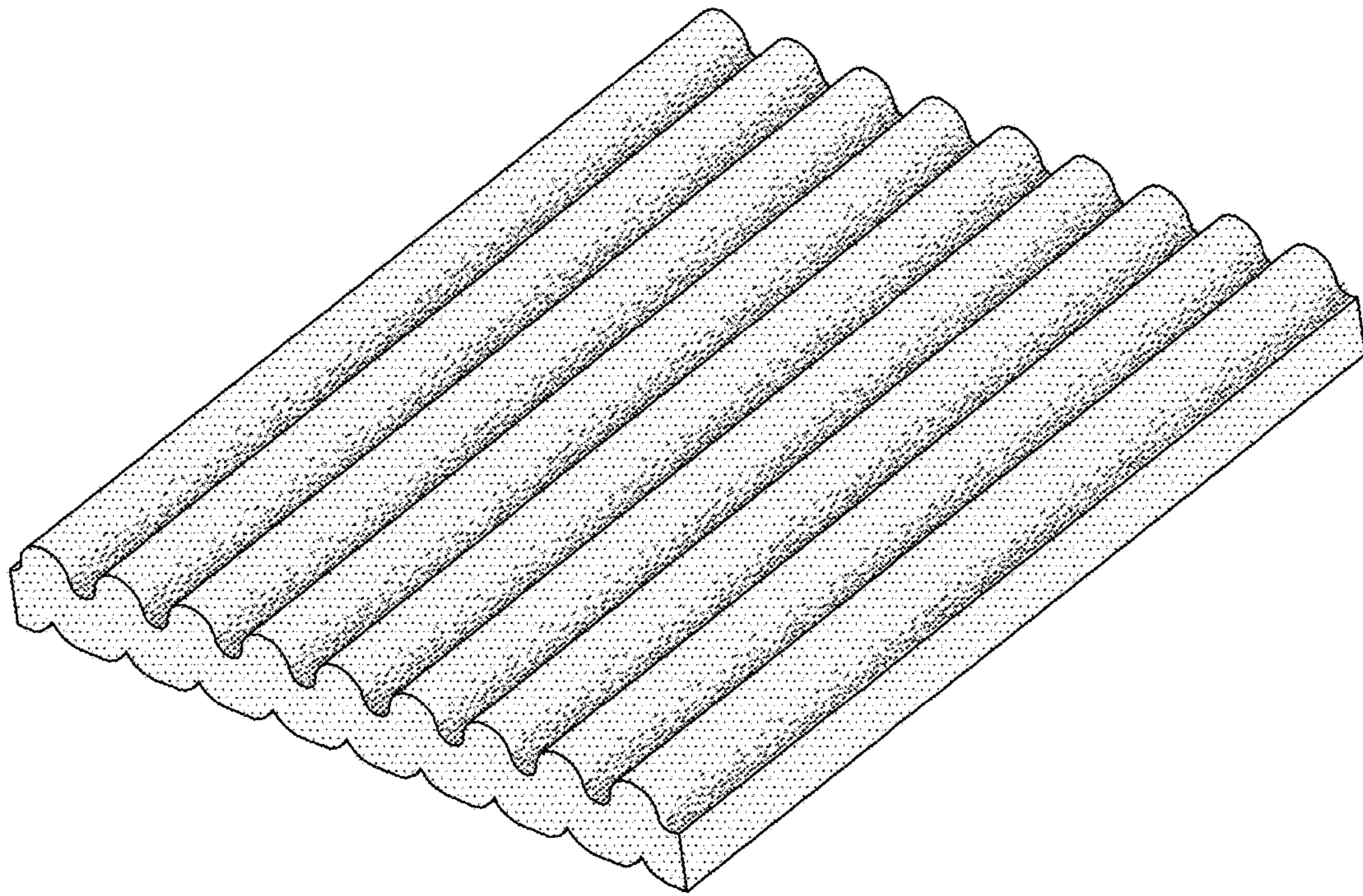


FIG. 1

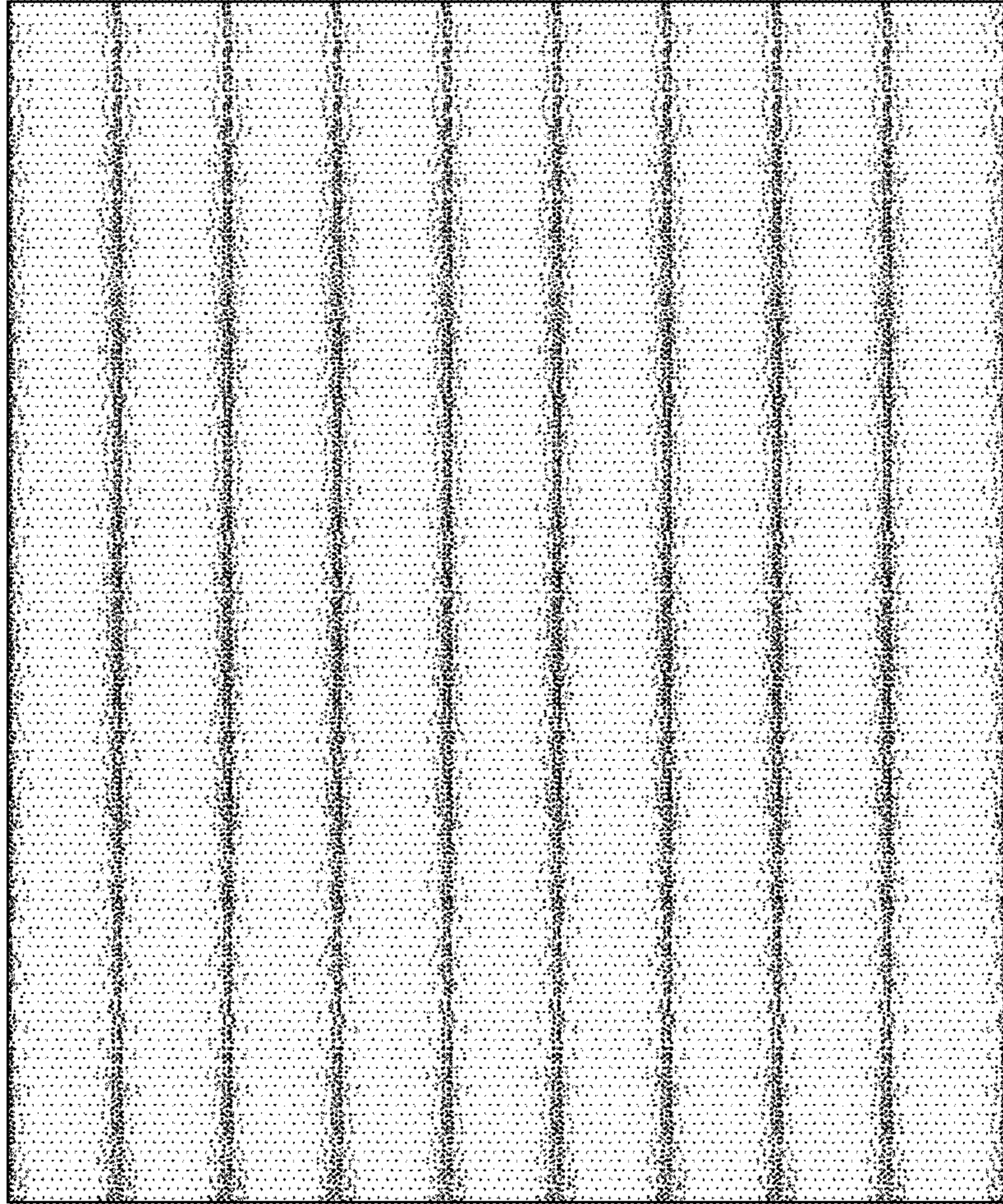


FIG. 2

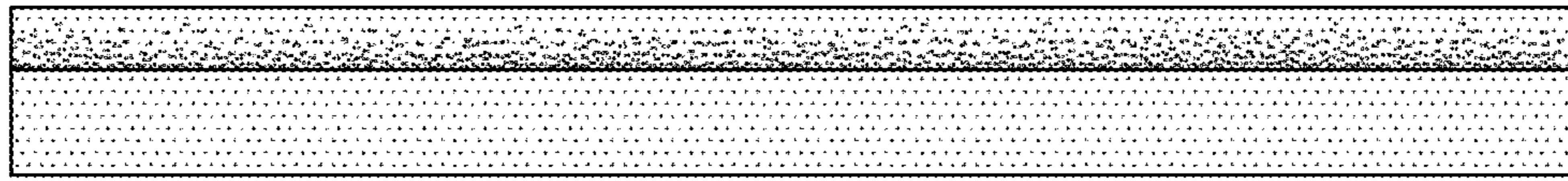


FIG. 3

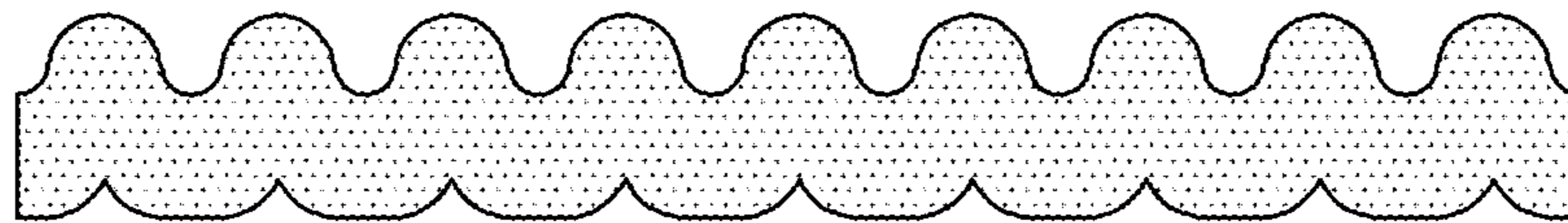


FIG. 4

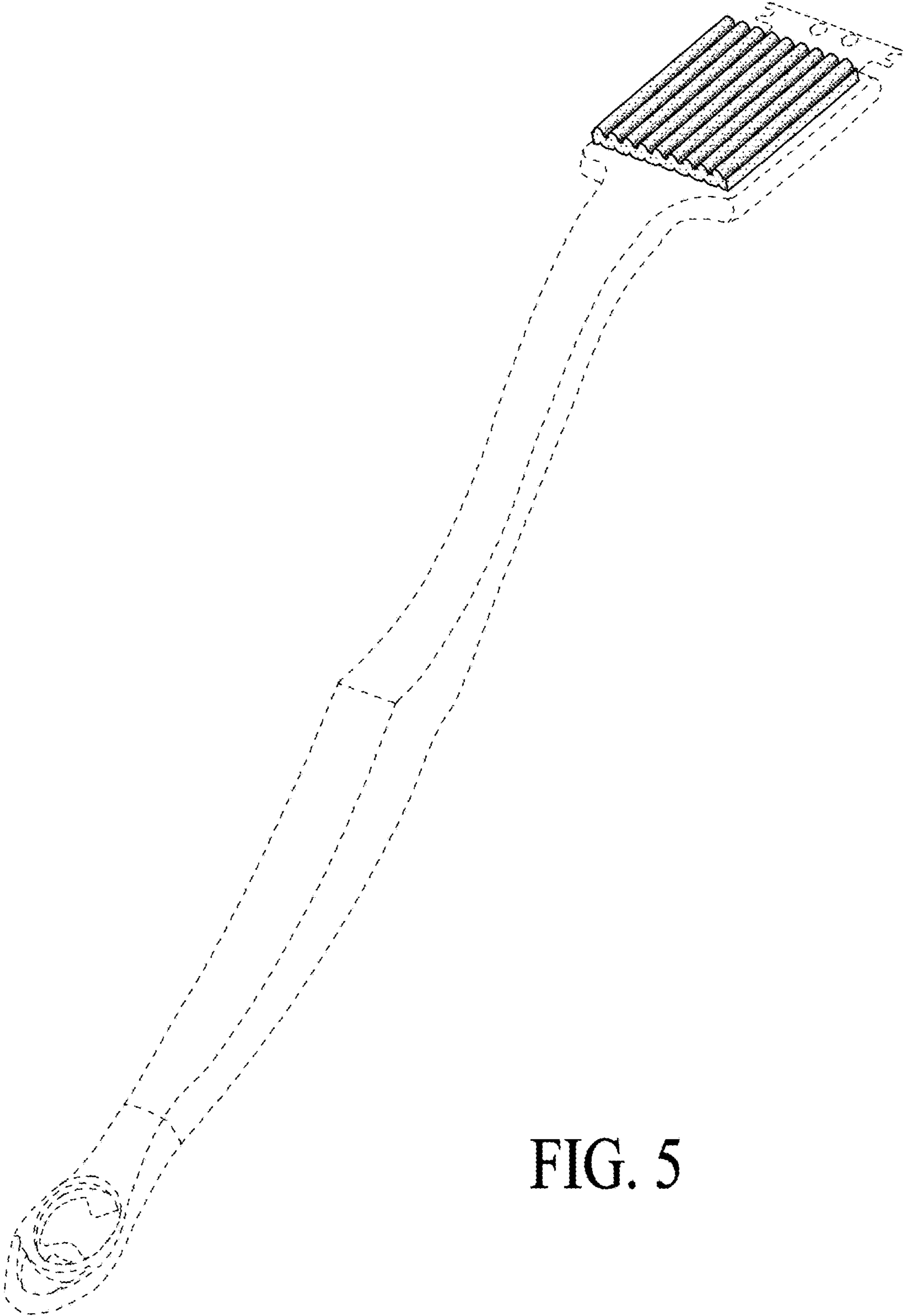


FIG. 5

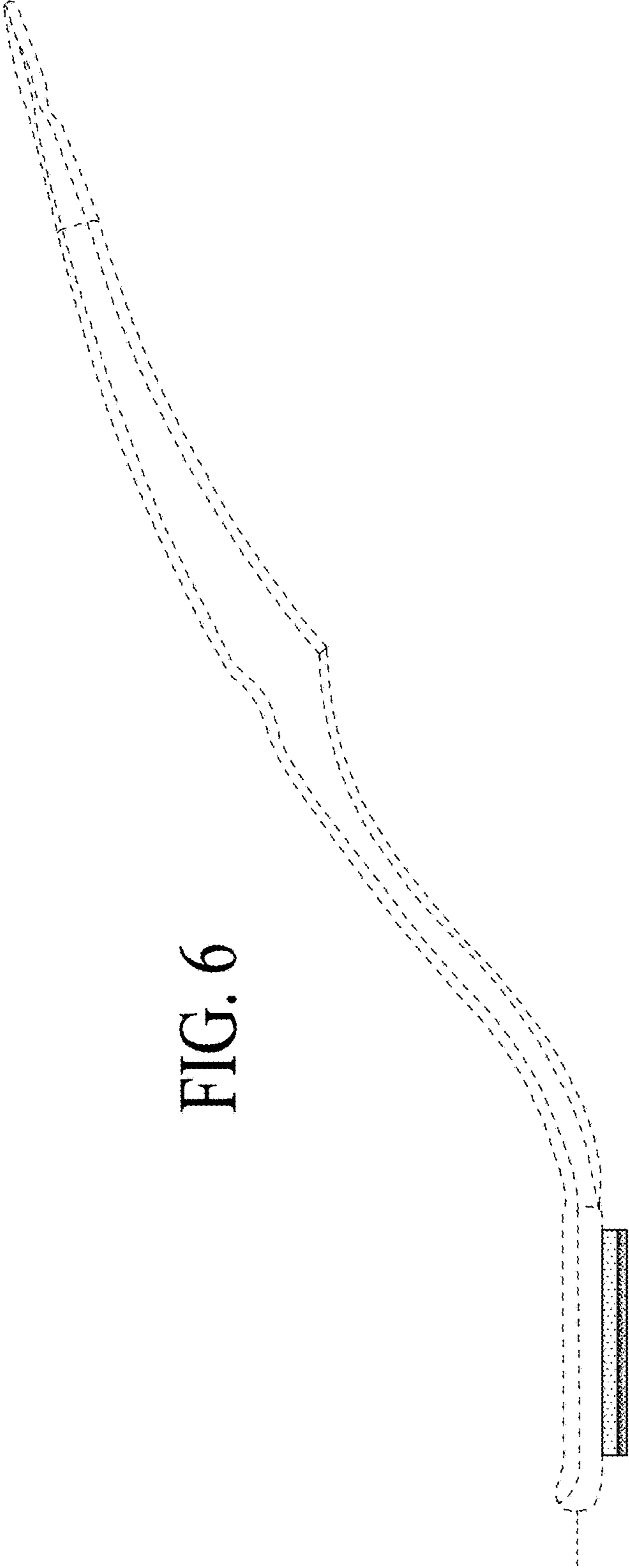


FIG. 6

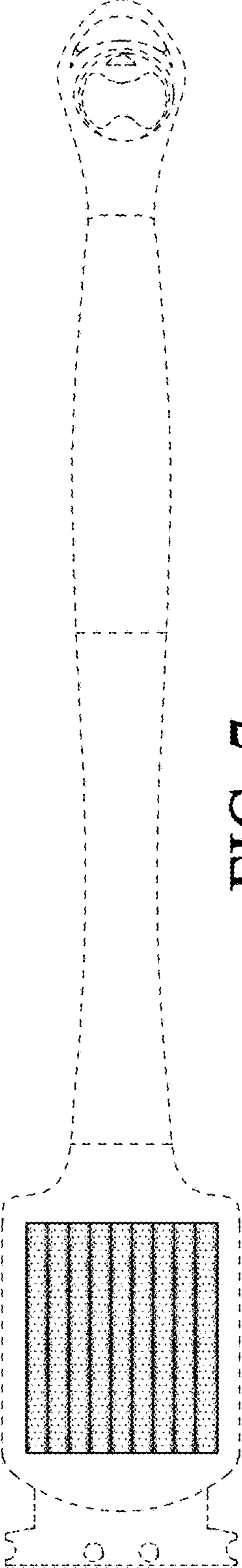


FIG. 7

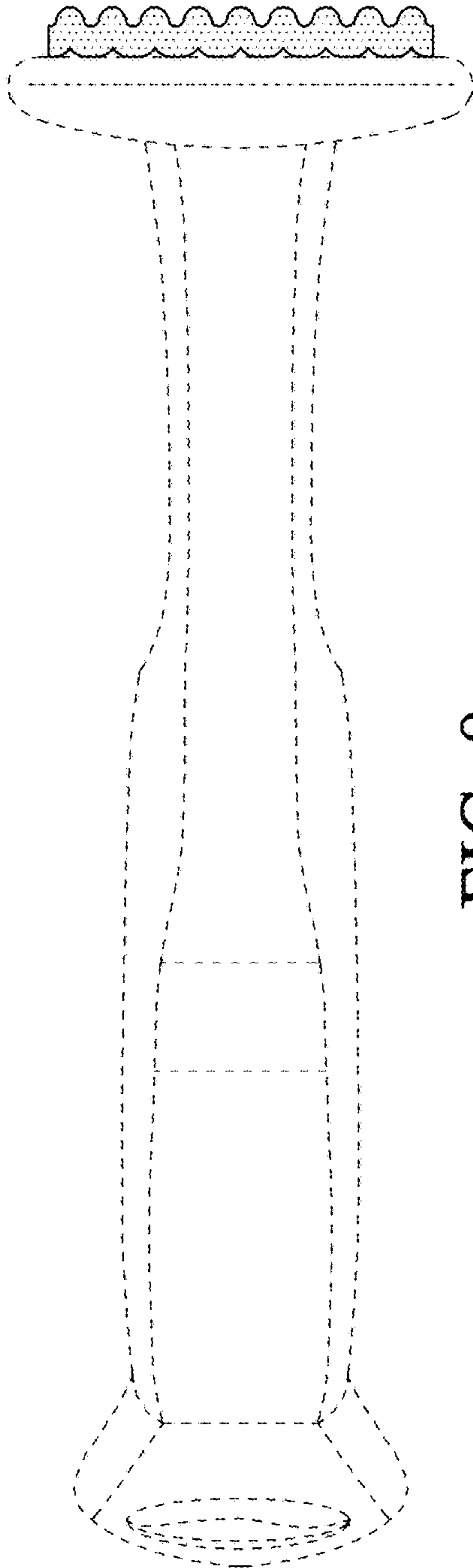


FIG. 8

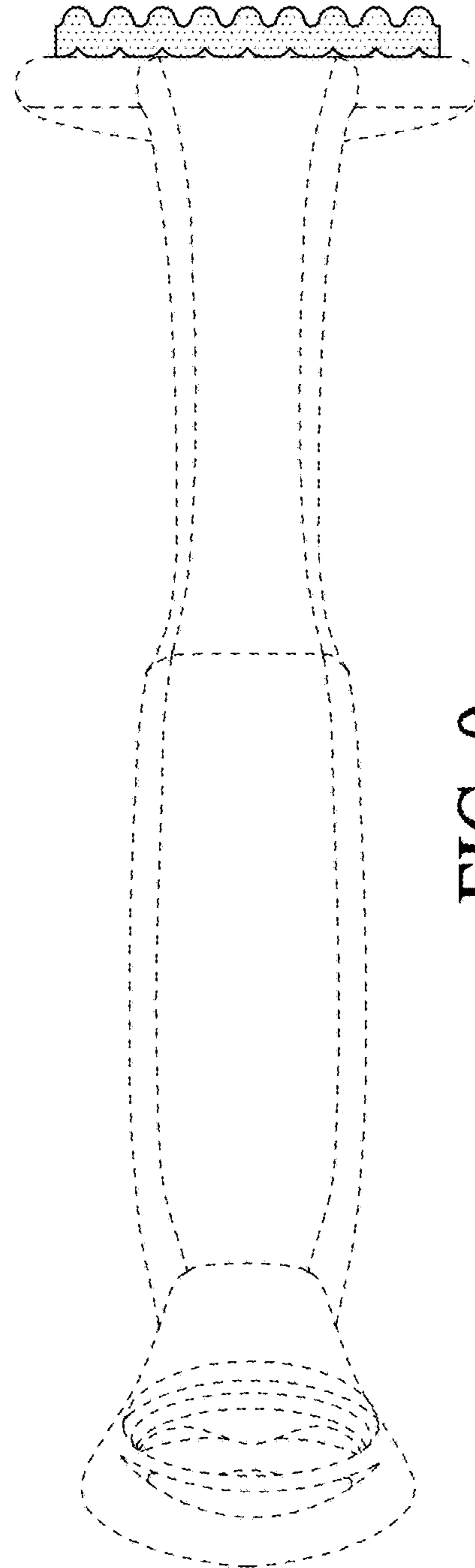


FIG. 9