



US00D814725S

(12) **United States Design Patent**  
**Alexander**

(10) **Patent No.:** **US D814,725 S**  
(45) **Date of Patent:** **\*\* Apr. 3, 2018**

- (54) **CLOTHING FOLDING DEVICE**
- (71) Applicant: **Brian Alexander**, Ormond Beach, FL  
(US)
- (72) Inventor: **Brian Alexander**, Ormond Beach, FL  
(US)
- (\*\*) Term: **15 Years**
- (21) Appl. No.: **29/562,824**
- (22) Filed: **Apr. 29, 2016**
- (51) **LOC (11) Cl.** ..... **15-05**
- (52) **U.S. Cl.**  
USPC ..... **D32/35**
- (58) **Field of Classification Search**  
USPC ..... D2/999; D3/273, 299; D20/20, 103;  
D32/35  
CPC ..... A45C 13/03; A47F 7/22; A47G 25/20;  
B65D 85/18; B65D 85/182; D06F 89/02  
See application file for complete search history.

- (56) **References Cited**  
U.S. PATENT DOCUMENTS  
  
924,761 A \* 6/1909 Goodman ..... B65D 85/182  
229/87.17  
3,989,172 A \* 11/1976 Wiedemann ..... B65D 85/182  
223/37  
5,011,052 A \* 4/1991 Craig ..... D06F 89/023  
223/37  
5,417,641 A \* 5/1995 Warren ..... B65B 25/20  
493/405  
5,947,349 A \* 9/1999 Shaalan ..... D06F 89/023  
223/37  
6,360,927 B1 \* 3/2002 Barker ..... D06F 89/02  
223/37  
6,508,357 B1 \* 1/2003 Faircloth ..... B01D 17/0205  
206/284

- 8,011,170 B2 \* 9/2011 Smith ..... D06F 89/02  
206/297
- 8,714,418 B2 \* 5/2014 Kumar ..... D06F 89/02  
223/37
- 8,893,935 B2 \* 11/2014 Paez ..... A45C 13/03  
223/37
- 8,898,920 B2 \* 12/2014 Ward ..... B65H 45/04  
33/562
- 9,022,259 B2 \* 5/2015 Breier ..... D06F 89/023  
223/38
- D743,690 S \* 11/2015 Kumar ..... D2/999
- D790,845 S \* 7/2017 Greenspon ..... D2/999

\* cited by examiner

*Primary Examiner* — Michael A. Pratt  
*Assistant Examiner* — Michelle E Wilson  
(74) *Attorney, Agent, or Firm* — Kelly G. Swartz;  
Widerman Malek, PL

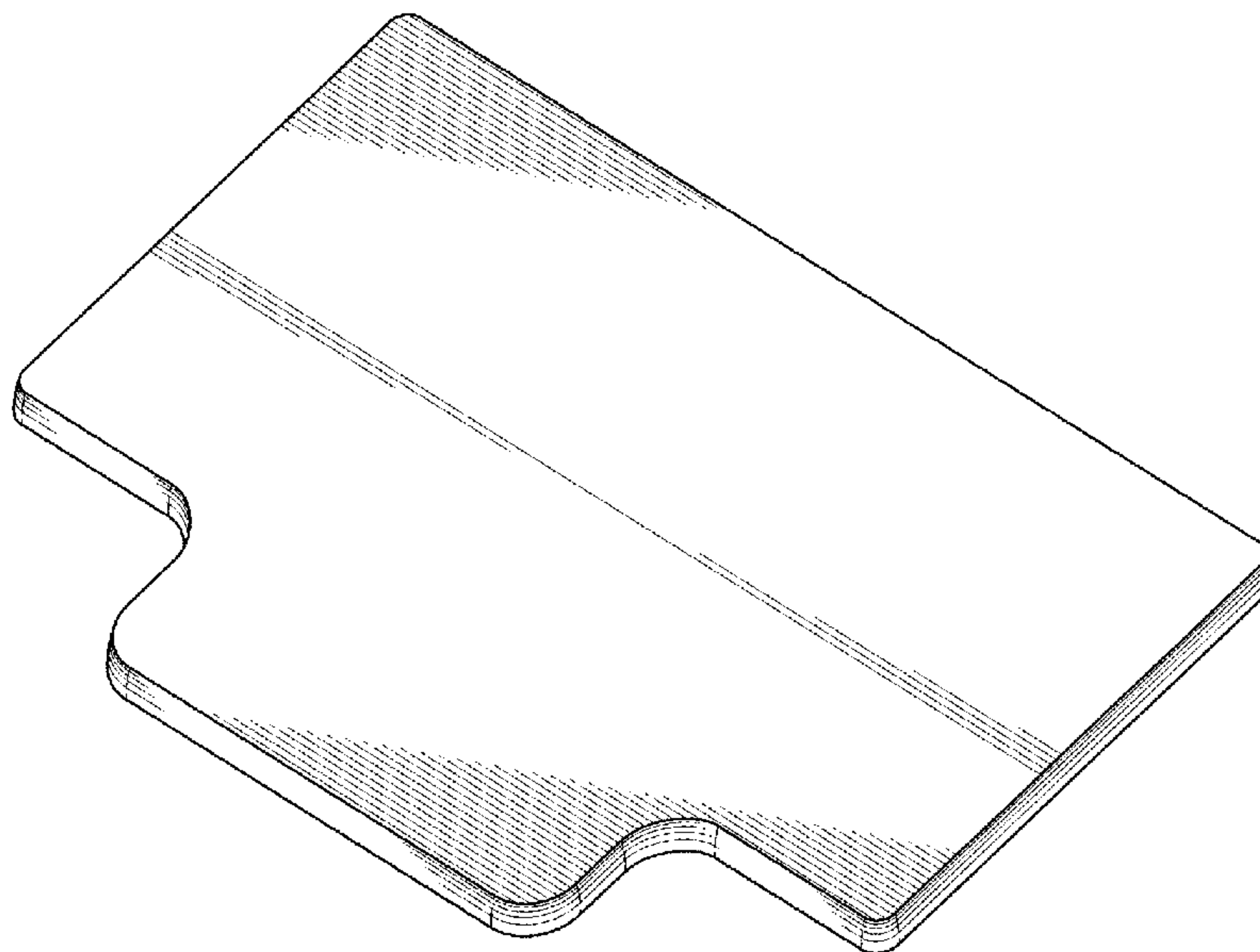
(57) **CLAIM**

The ornamental design for a clothing folding device, as shown and described.

**DESCRIPTION**

FIG. 1 is a top perspective view of a clothing folding device according to the present invention.  
FIG. 2 is a top plan view of the clothing folding device illustrated in FIG. 1.  
FIG. 3 is a bottom plan view of the clothing folding device illustrated in FIG. 1.  
FIG. 4 is a front elevation view of the clothing folding device illustrated in FIG. 1.  
FIG. 5 is a rear elevation view of the clothing folding device illustrated in FIG. 1.  
FIG. 6 is a left side elevation view of the clothing folding device illustrated in FIG. 1; and,  
FIG. 7 is a right side elevation view of the clothing folding device illustrated in FIG. 1.

**1 Claim, 2 Drawing Sheets**



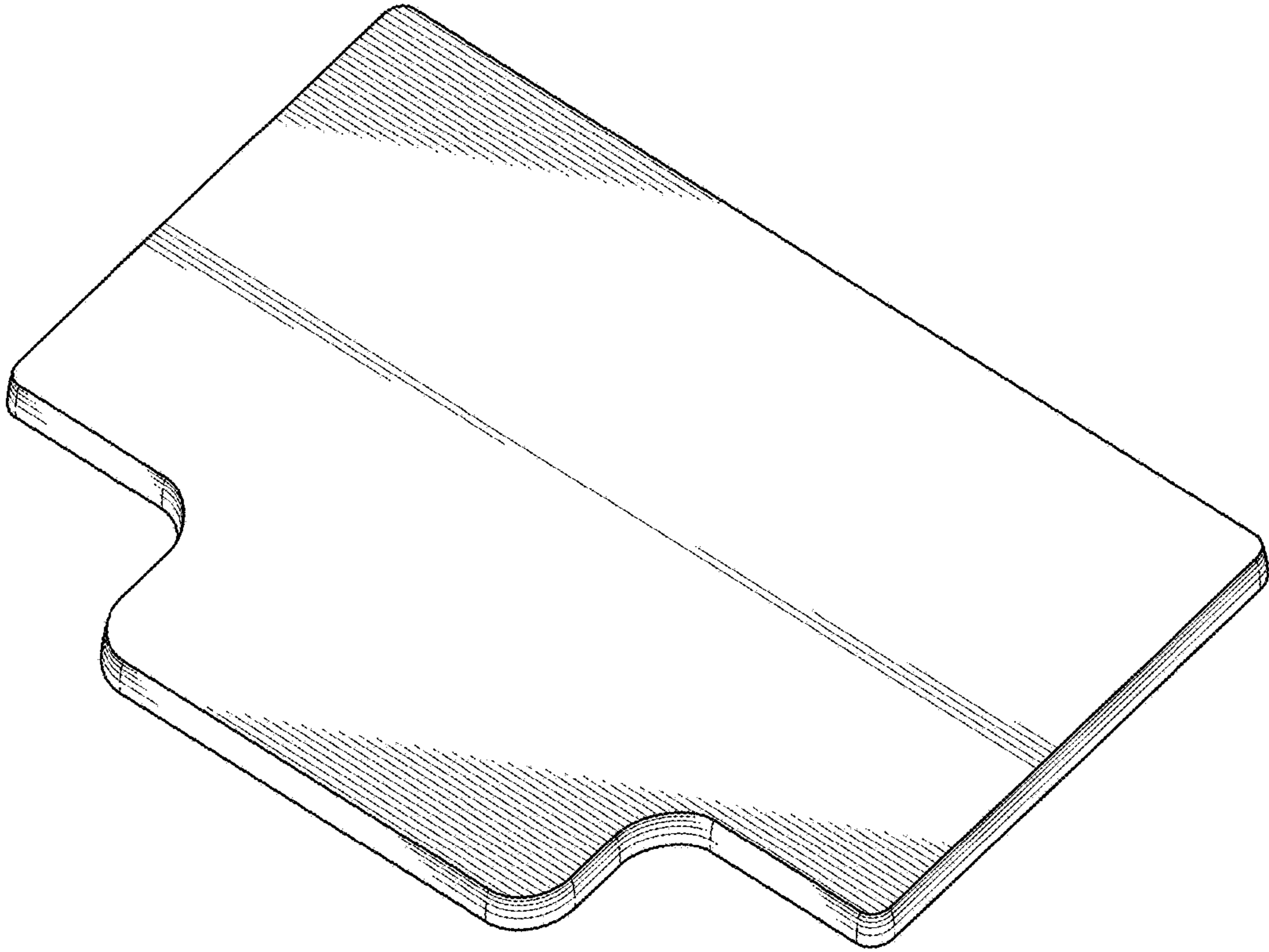


FIG. 1

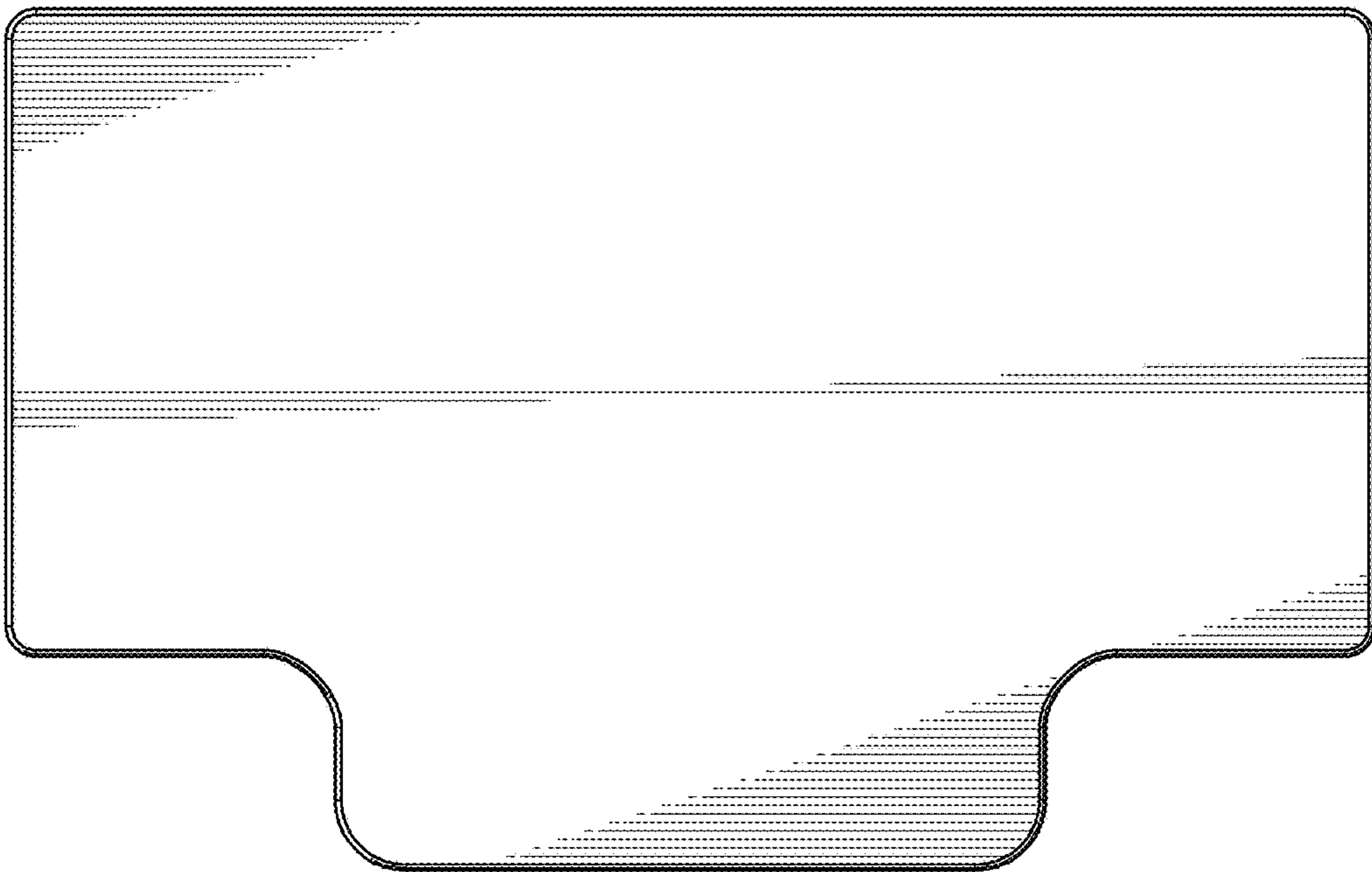


FIG. 2

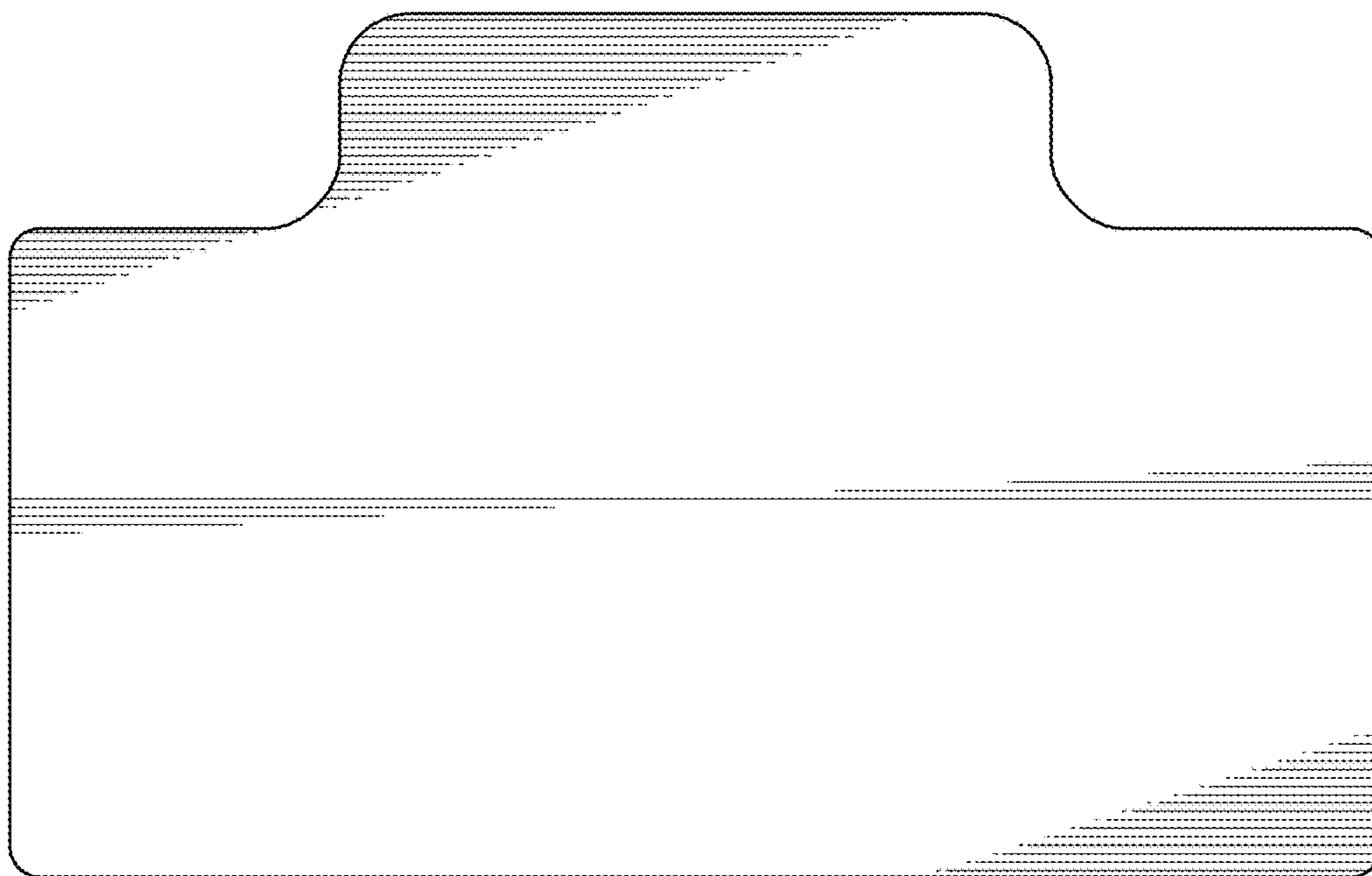


FIG. 3

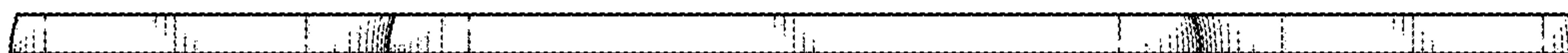


FIG. 4

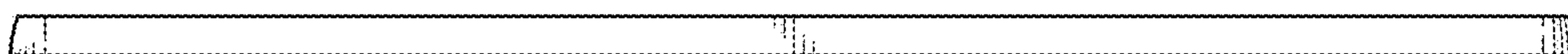


FIG. 5

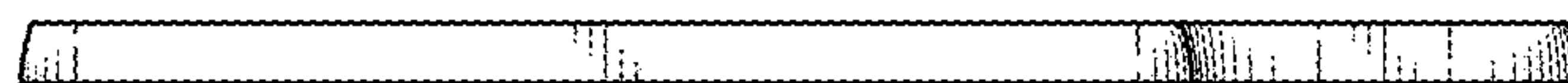


FIG. 6

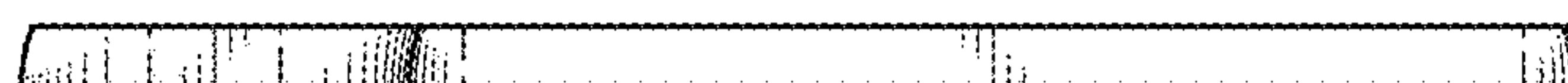


FIG. 7