



US00D814724S

(12) **United States Design Patent**
Courtney et al.

(10) **Patent No.:** **US D814,724 S**

(45) **Date of Patent:** **** Apr. 3, 2018**

(54) **PART OF A VACUUM CLEANER**

(71) Applicant: **Dyson Technology Limited**, Wiltshire (GB)

(72) Inventors: **Stephen Benjamin Courtney**, Bath (GB); **Peter David Gammack**, Swindon (GB); **Jonathan George Marsh**, Swindon (GB); **Donald James McIntosh**, Gloucester (GB); **Louis Peter Richard Garner**, Dorchester (GB); **Alexander Stuart Knox**, Bradford-on-Avon (GB); **Stephen Robert Dimbylow**, Swindon (GB); **Heidi Williamson**, Woking (GB); **Benjamin Charles Felix Tappenden**, Bristol (GB)

(73) Assignee: **Dyson Technology Limited**, Malmesbury, Wiltshire (GB)

(**) Term: **14 Years**

(21) Appl. No.: **29/518,192**

(22) Filed: **Feb. 20, 2015**

(30) **Foreign Application Priority Data**

Aug. 21, 2014 (EM) 001419659-0002

(51) **LOC (11) Cl.** **15-05**

(52) **U.S. Cl.**
USPC **D32/32**

(58) **Field of Classification Search**
USPC D32/31-33, 40, 50, 25
CPC A47L 11/4044; A47L 9/02; A47L 13/12;
A47L 13/20; A47L 1/08; A47K 7/02
See application file for complete search history.

(56) **References Cited**

U.S. PATENT DOCUMENTS

D125,786 S 3/1941 Schaad
D222,702 S 12/1971 Schaefer et al.

D456,103 S * 4/2002 Shin D32/32
D471,332 S 3/2003 Haegermarck et al.
D478,698 S 8/2003 Mertes et al.
D483,534 S 12/2003 Nelson et al.
D507,854 S * 7/2005 Kim D32/32
D518,258 S 3/2006 Hamm et al.
D563,615 S * 3/2008 Roschi D32/32
D580,611 S * 11/2008 Roschi D32/33
D599,515 S * 9/2009 Davies D32/32
D635,315 S * 3/2011 Wertz D32/32
D680,287 S 4/2013 Morgan et al.
D680,289 S 4/2013 Gray et al.
D680,699 S * 4/2013 Okabe D32/33
D681,291 S 4/2013 Morgan et al.

(Continued)

FOREIGN PATENT DOCUMENTS

RU 87656 1/2014

OTHER PUBLICATIONS

Courtney et al., U.S. Office Action dated May 13, 2016, directed to Design U.S. Appl. No. 29/518,193; 8 pages.

Primary Examiner — Ruth McInroy

(74) *Attorney, Agent, or Firm* — Morrison & Foerster LLP

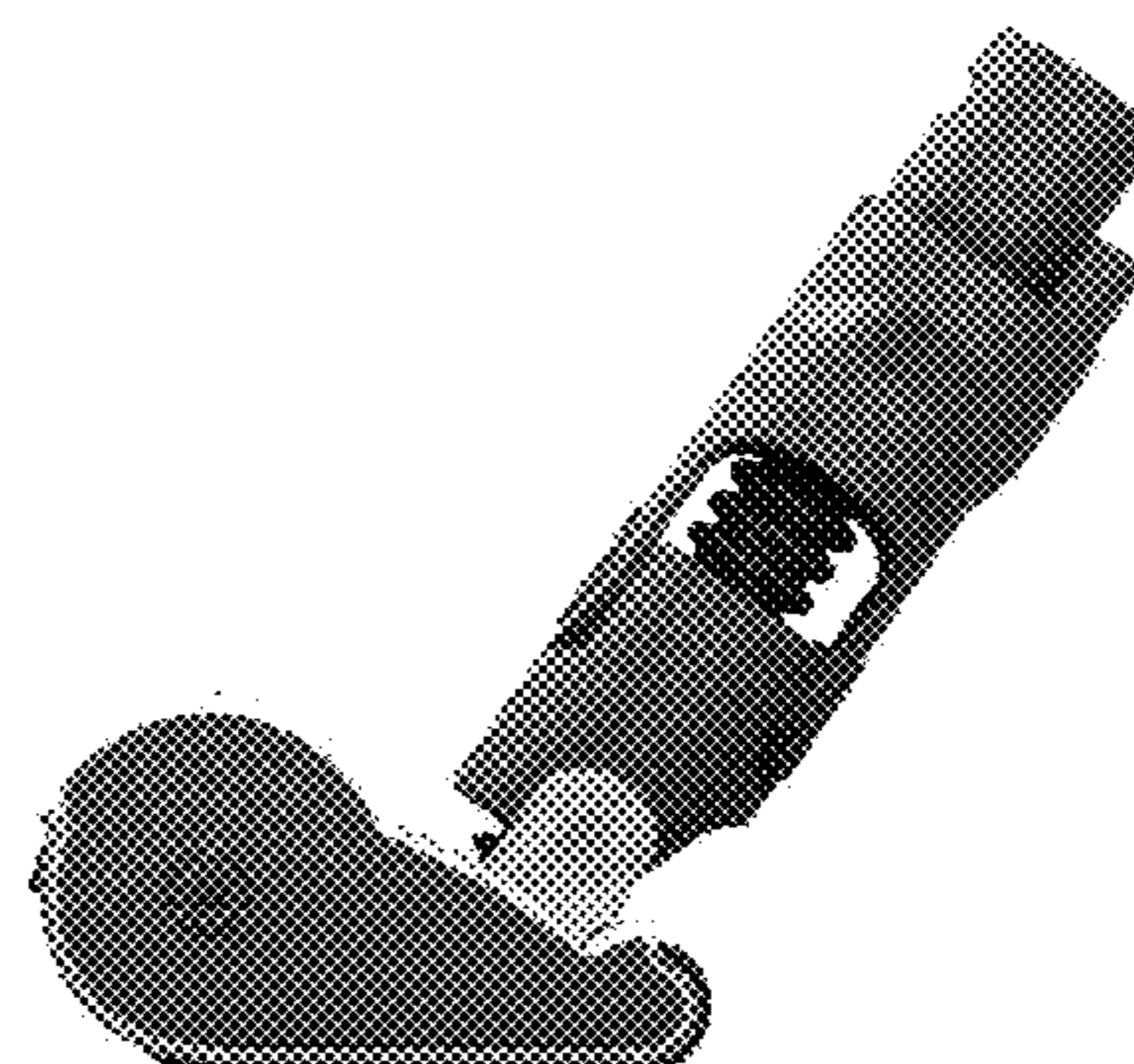
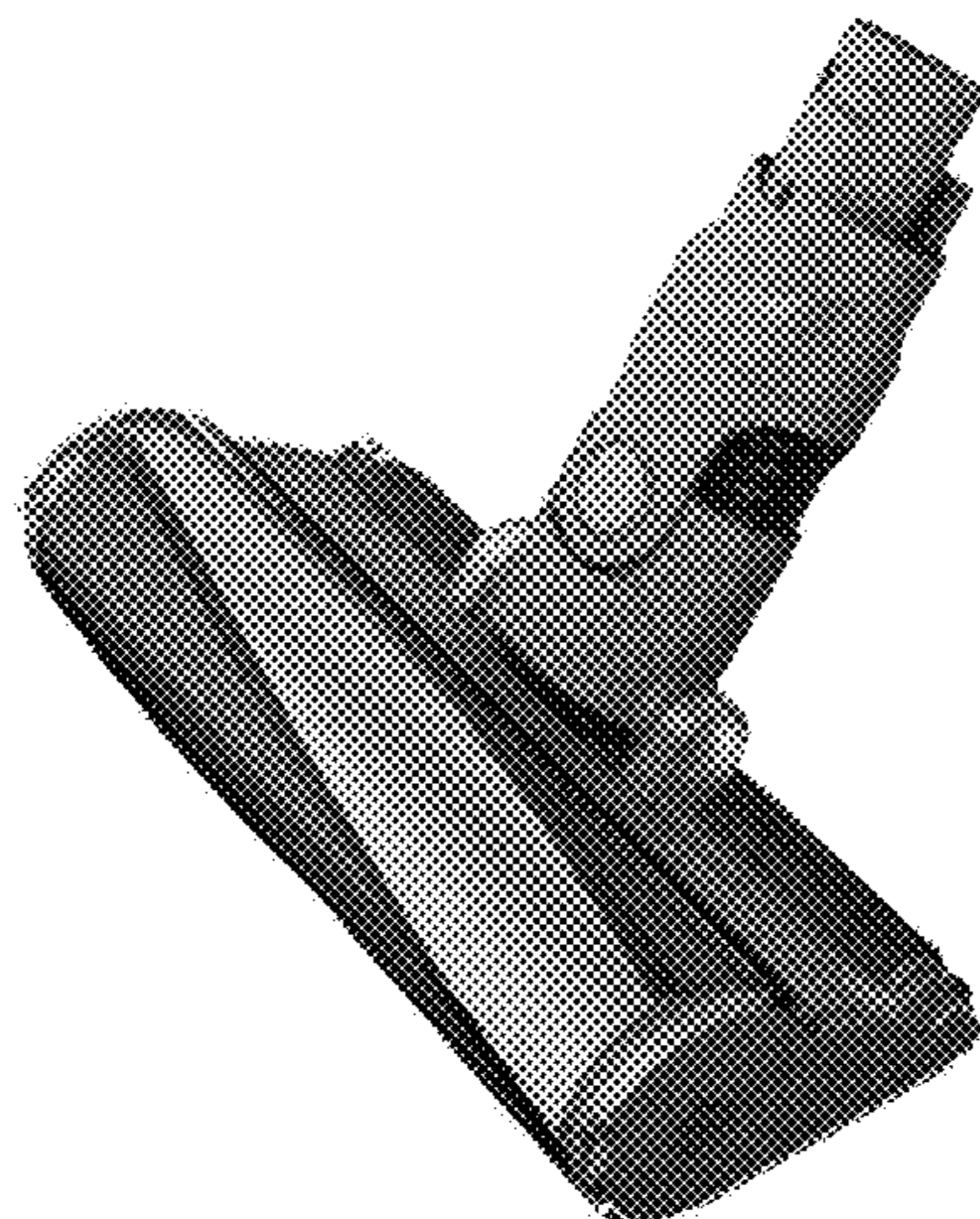
(57) **CLAIM**

We claim the ornamental design for a part of a vacuum cleaner, as shown and described.

DESCRIPTION

FIG. 1 is a perspective view of a part of a vacuum cleaner showing our new design;
FIG. 2 is a front view thereof;
FIG. 3 is a rear view thereof;
FIG. 4 is a side view thereof;
FIG. 5 is a side view of the opposite side of FIG. 4;
FIG. 6 is a top view thereof; and,
FIG. 7 is a bottom view thereof.

1 Claim, 7 Drawing Sheets



(56)

References Cited

U.S. PATENT DOCUMENTS

D686,379	S *	7/2013	Kim	D32/32
D698,510	S *	1/2014	Chu	D32/32
D712,104	S *	8/2014	Stickney	D32/32
D712,105	S *	8/2014	Stickney	D32/33
D716,510	S	10/2014	Gilbert, Jr.	
D747,052	S	1/2016	Therrien	
2006/0053584	A1	3/2006	Dever	
2012/0079678	A1 *	4/2012	Spinelli	A47L 9/02 15/383
2012/0198644	A1 *	8/2012	Iles	A47L 9/04 15/179
2013/0042429	A1	2/2013	Misumi et al.	
2015/0033498	A1 *	2/2015	McVey	A47L 9/0477 15/363

* cited by examiner



FIG. 1

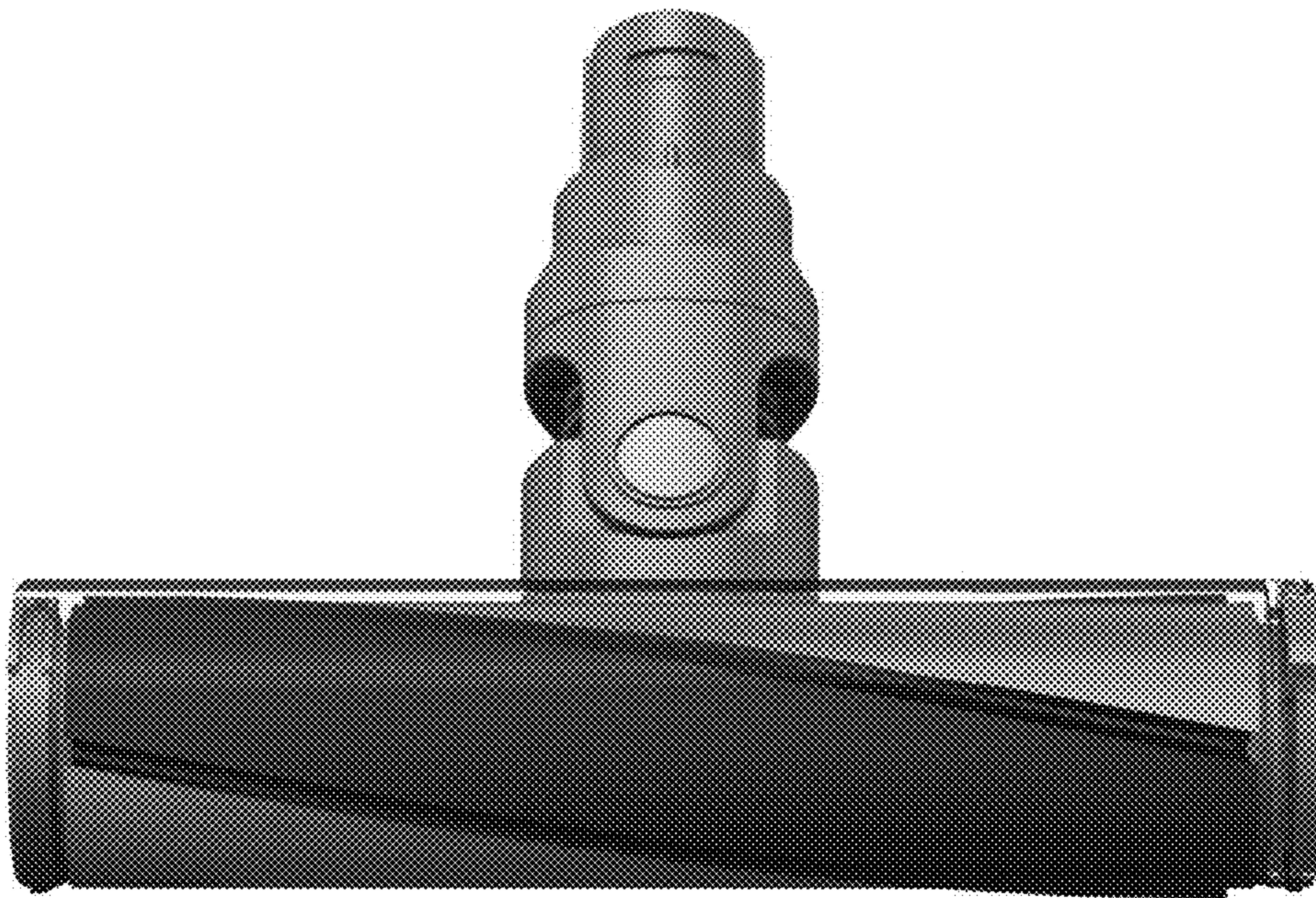


FIG. 2

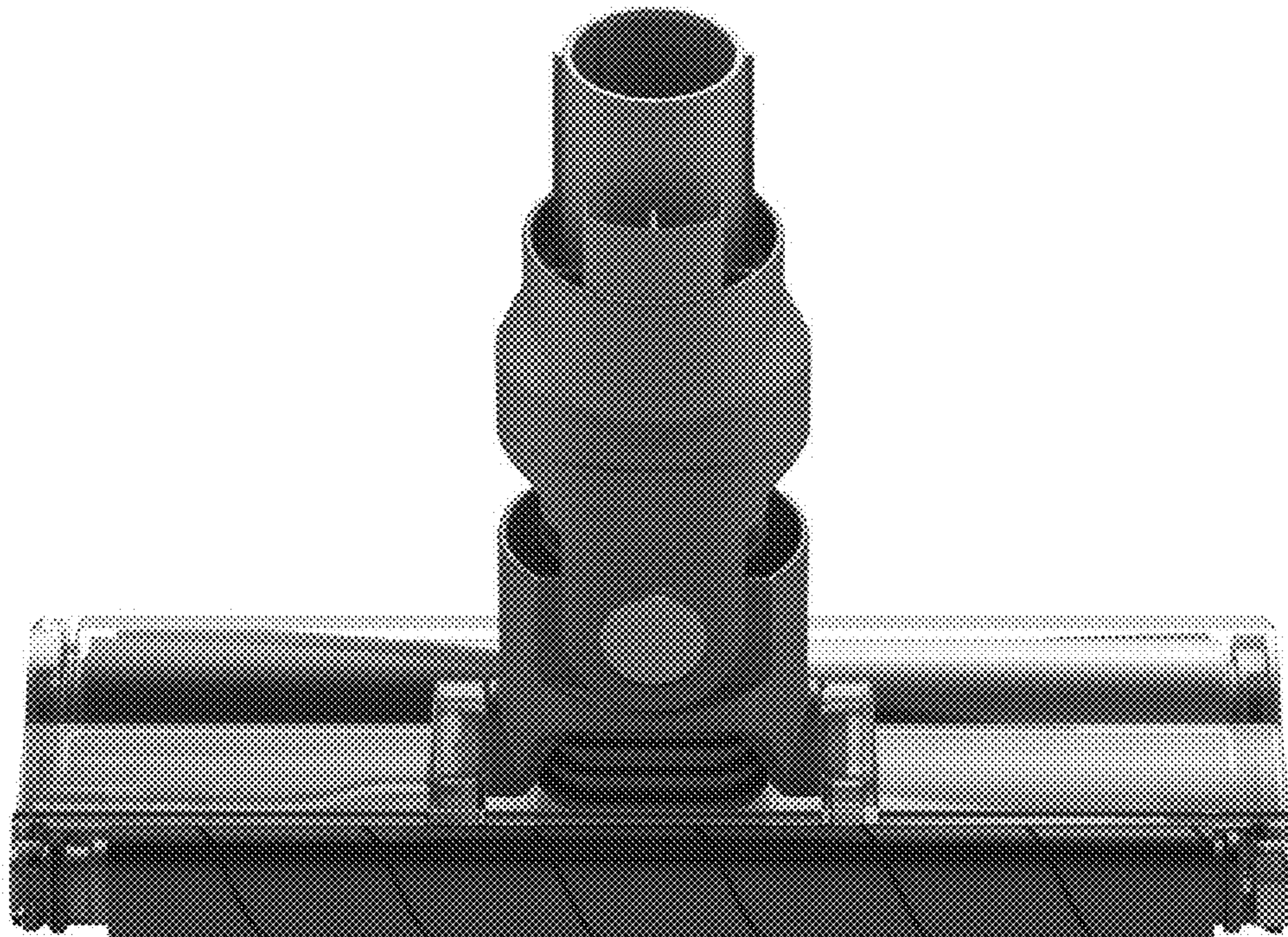


FIG. 3

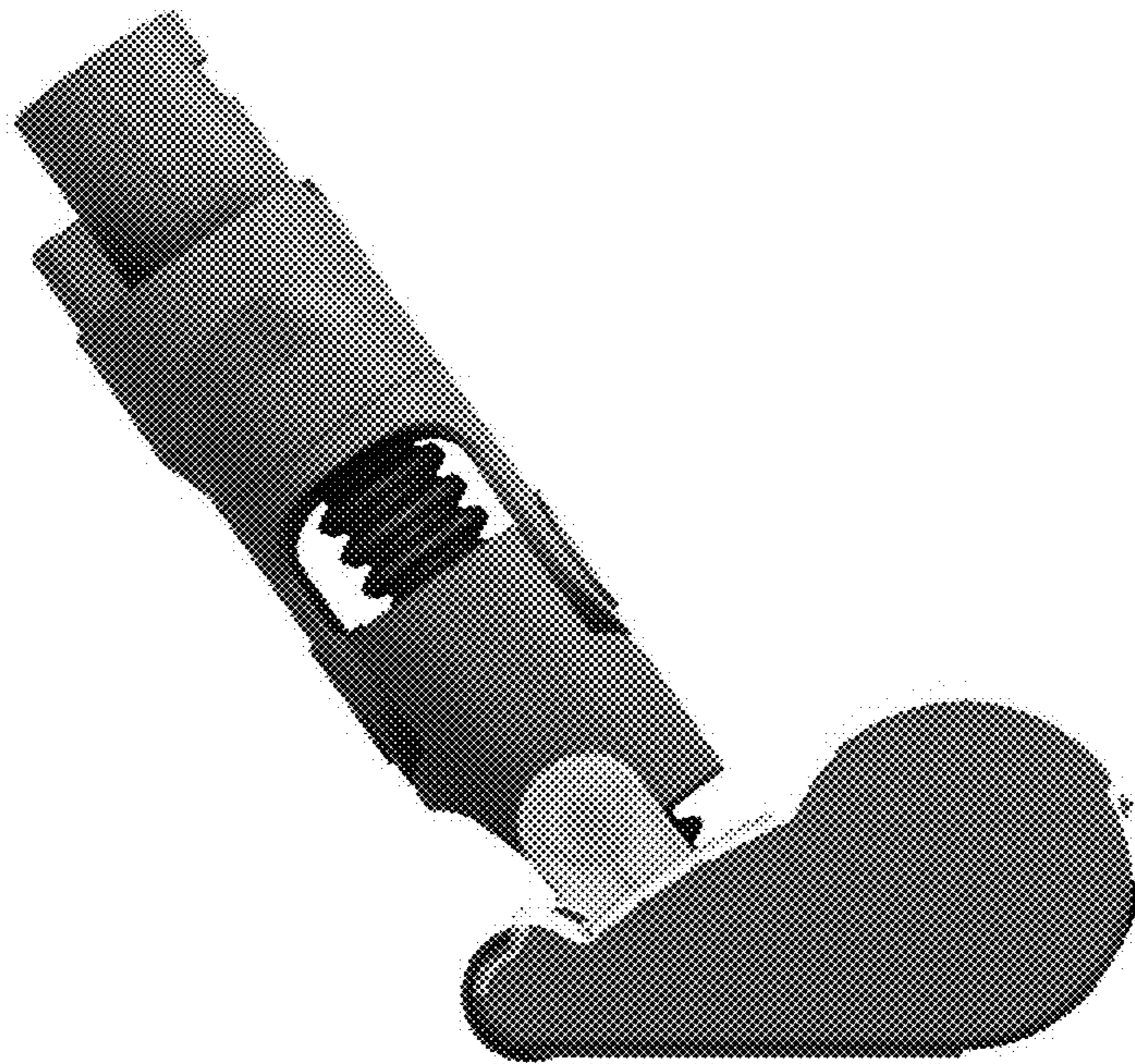


FIG. 4



FIG. 5



FIG. 6

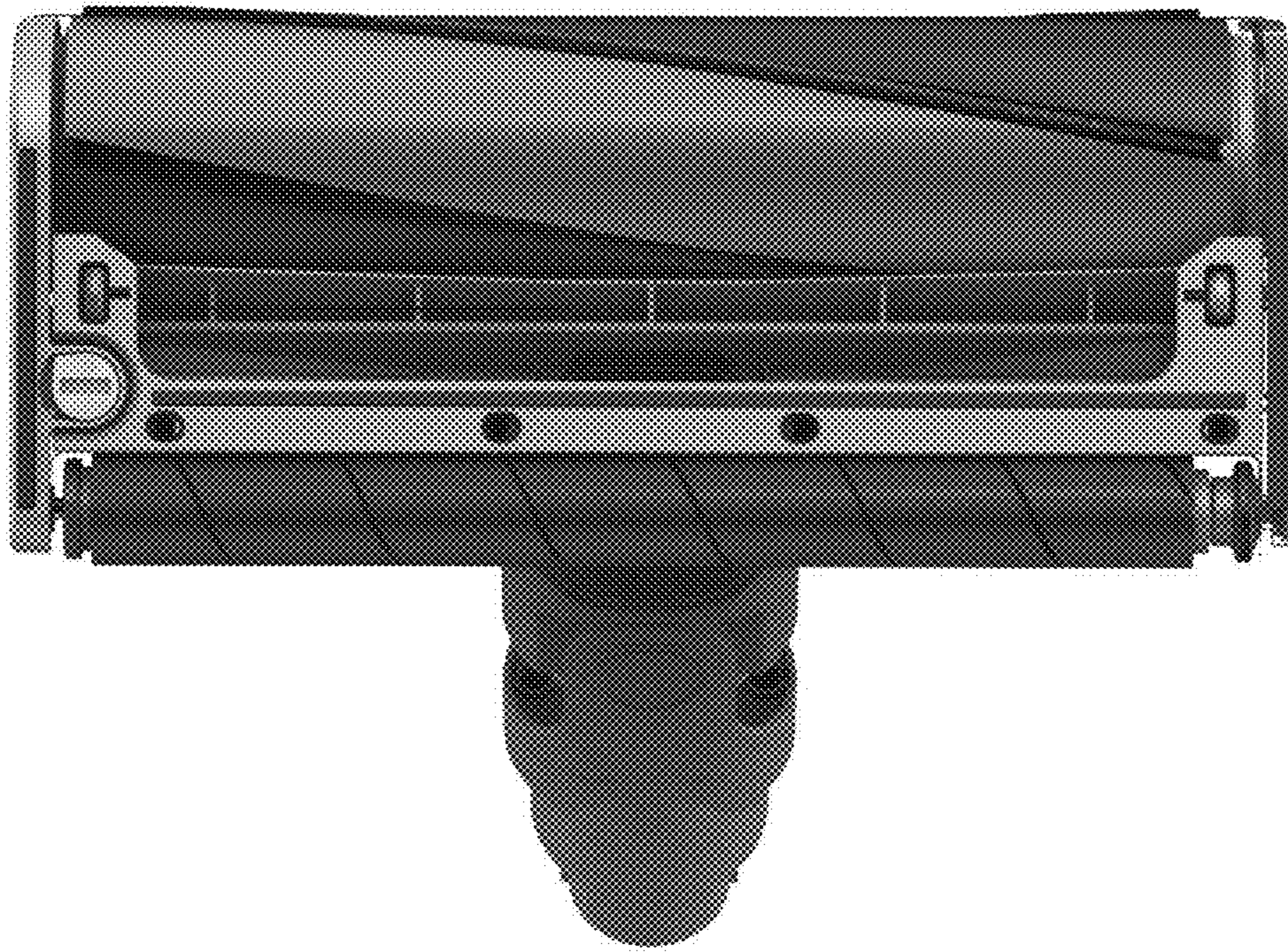


FIG. 7