



US00D814721S

(12) **United States Design Patent** (10) **Patent No.:** **US D814,721 S**  
**Bailey** (45) **Date of Patent:** **\*\* Apr. 3, 2018**

(54) **PLUNGER**

D259,261 S \* 5/1981 MacLaren ..... D13/112  
D267,194 S \* 12/1982 Baker ..... D23/386  
4,539,985 A 9/1985 Magrath

(71) Applicant: **Waxman Consumer Products Group Inc.**, Bedford Heights, OH (US)

(Continued)

(72) Inventor: **Mitchell Bailey**, Westlake, OH (US)

**FOREIGN PATENT DOCUMENTS**

(73) Assignee: **Waxman Consumer Products Group Inc.**, Bedford Heights, OH (US)

AU 109517 S 11/1990  
JP D1278878 \* 8/2006

(\*\*) Term: **15 Years**

**OTHER PUBLICATIONS**

(21) Appl. No.: **29/547,398**

Amazon.com: PlumbCraft Heavy Duty Toilet Plunger, oldest review Sep. 13, 2014, [https://www.amazon.com/PlumbCraft-Heavy-Duty-Toilet-Plunger/dp/B00J4I8B8M/ref=cm\\_cr\\_arp\\_d\\_product\\_top?ie=UTF8](https://www.amazon.com/PlumbCraft-Heavy-Duty-Toilet-Plunger/dp/B00J4I8B8M/ref=cm_cr_arp_d_product_top?ie=UTF8), [site visited May 16, 2017 10:54:36 PM].\*

(22) Filed: **Dec. 3, 2015**

(Continued)

**Related U.S. Application Data**

(62) Division of application No. 29/454,446, filed on May 10, 2013, now Pat. No. Des. 749,280.

(51) **LOC (11) Cl.** ..... **15-05**

(52) **U.S. Cl.**  
USPC ..... **D32/14**

(58) **Field of Classification Search**  
USPC ..... D32/14  
CPC ..... E03C 1/308; E03D 9/00; E03D 11/00  
See application file for complete search history.

*Primary Examiner* — John Windmuller

*Assistant Examiner* — John R Yeh

(74) *Attorney, Agent, or Firm* — Tarolli, Sundheim, Covell & Tummino LLP; John A. Yirga, Esq.

(57) **CLAIM**

The ornamental design for a plunger, as shown and described.

(56) **References Cited**

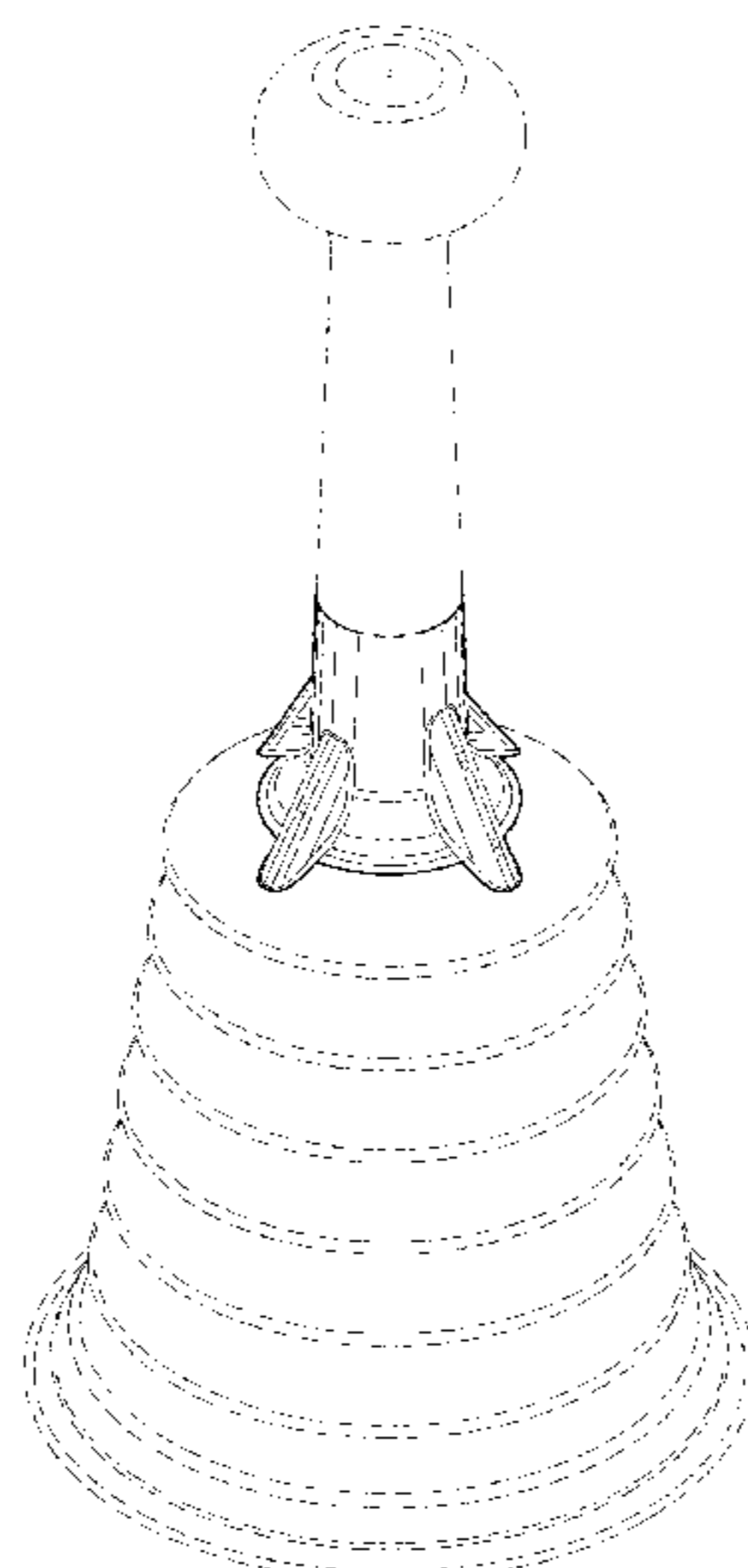
**DESCRIPTION**

**U.S. PATENT DOCUMENTS**

- 131,696 A 9/1872 Mathewson
- 975,527 A \* 11/1910 Howell ..... F41A 29/02  
15/104.16
- D46,996 S 2/1915 Howell
- 1,593,072 A 7/1926 Haydock et al.
- 2,057,842 A 10/1936 Nielson
- D133,393 S \* 8/1942 Smith ..... D32/14
- D202,979 S 11/1965 Knusche
- 3,268,937 A \* 8/1966 Bollinger ..... E03F 9/005  
15/104.33
- D237,007 S \* 9/1975 MacLaren ..... D32/14
- 4,010,922 A 3/1977 Heller et al.
- D249,357 S 9/1978 DeMarco
- 4,261,138 A 4/1981 St. George Syms

FIG. 1 is a perspective view for a plunger;  
FIG. 2 is a front elevation view thereof;  
FIG. 3 is a rear elevation view thereof;  
FIG. 4 is a left side elevation view thereof;  
FIG. 5 is a right side elevation view thereof;  
FIG. 6 is a top plan view thereof; and,  
FIG. 7 is a bottom plan view thereof.  
The dotted and dashed broken lines shown are for environmental purposes only and form no part of the claimed design.  
The dot-dot-dashed lines indicate boundaries of the claimed design and form no part thereof.

**1 Claim, 6 Drawing Sheets**



(56)

References Cited

U.S. PATENT DOCUMENTS

D287,831 S \* 1/1987 Stephan ..... D11/130.1  
 D291,933 S \* 9/1987 Weiss ..... D32/14  
 D292,631 S \* 11/1987 Tash ..... D32/14  
 4,745,641 A 5/1988 Tash  
 D298,071 S 10/1988 Irwin  
 4,827,553 A 5/1989 Turpin et al.  
 D381,146 S 7/1997 Tash  
 D381,147 S 7/1997 Tash  
 D385,073 S 10/1997 Tash  
 6,145,135 A \* 11/2000 Pool ..... E03C 1/308  
 4/255.09  
 6,192,525 B1 2/2001 Ash  
 6,216,283 B1 4/2001 Tash  
 6,216,286 B1 4/2001 Zankow  
 D448,693 S \* 10/2001 Crafoord ..... D10/103  
 D454,673 S 3/2002 Hwang  
 D456,574 S 4/2002 Chen  
 6,374,427 B1 4/2002 Tash  
 D491,702 S 6/2004 Tash  
 D497,832 S \* 11/2004 Glover ..... D11/130.1  
 6,859,949 B1 3/2005 Gavin  
 6,898,807 B2 5/2005 Tash  
 D509,333 S 9/2005 Tash  
 7,013,499 B2 3/2006 Tash  
 7,089,605 B2 \* 8/2006 Jiang ..... E03C 1/308  
 16/429  
 D540,564 S 4/2007 Tai  
 D613,468 S 4/2010 Kosasih et al.  
 D647,671 S \* 10/2011 Stein ..... D32/14  
 8,245,329 B2 \* 8/2012 Stein ..... E03C 1/308  
 4/255.11  
 8,430,436 B2 4/2013 Shilts  
 8,739,968 B2 6/2014 Bates et al.  
 D722,210 S \* 2/2015 Gwen ..... D32/14  
 D749,280 S \* 2/2016 Bailey ..... D32/14  
 2001/0037522 A1 11/2001 Pool et al.  
 2003/0079278 A1 5/2003 Tash  
 2004/0025235 A1 \* 2/2004 Tash ..... E03C 1/302  
 4/255.01  
 2007/0028374 A1 \* 2/2007 Jiang ..... E03C 1/308  
 4/255.05  
 2010/0313345 A1 \* 12/2010 Stein ..... E03C 1/308  
 4/255.11  
 2011/0010832 A1 1/2011 Tsiros  
 2014/0115768 A1 \* 5/2014 Wang ..... E03C 1/308  
 4/255.11  
 2015/0240466 A1 \* 8/2015 Schultz ..... A47K 11/10  
 4/255.11

OTHER PUBLICATIONS

PlumbCraft Powerful Mini Home Plunger, review date Aug. 31, 2016, [https://www.amazon.com/PlumbCraft-Powerful-Plunger-including-showers/dp/B01GAIB0ZY/ref=sr\\_1\\_8?ie=UTF8&qid=1494989706&sr=8-8&keywords=waxman+plunger](https://www.amazon.com/PlumbCraft-Powerful-Plunger-including-showers/dp/B01GAIB0ZY/ref=sr_1_8?ie=UTF8&qid=1494989706&sr=8-8&keywords=waxman+plunger), [site visited May 16, 2017 10:56:25 PM].\*  
 Amazon.com: G.T. Water Products, Inc. MPS4 Master Plunger, review date Nov. 23, 2013, [https://www.amazon.com/Products-MPS4-Master-Plunger-Shorty/dp/B005UJLVGI/ref=sr\\_1\\_68?s=home-garden&ie=UTF8&qid=1494990067&sr=1-68&keywords=toilet+plunger](https://www.amazon.com/Products-MPS4-Master-Plunger-Shorty/dp/B005UJLVGI/ref=sr_1_68?s=home-garden&ie=UTF8&qid=1494990067&sr=1-68&keywords=toilet+plunger), [site visited May 16, 2017 11:02:16 PM].\*

MPS4-Master-Plunger-Shorty/dp/B005UJLVGI/ref=sr\_1\_68?s=home-garden&ie=UTF8&qid=1494990067&sr=1-68&keywords=toilet+plunger, [site visited May 16, 2017 11:02:16 PM].\*  
 Amazon.com: Estes Mini Hones John Model Rocket Kit. Toys & Games, review date May 8, 2012, [http://www.amazon.com/Estes-Mini-Hones-Model-Rocket/dp/B004LOYLMS/ref=sr\\_1\\_44?ie=UTF8&qid=1423701070&sr=8-44&keywords=model+rocket](http://www.amazon.com/Estes-Mini-Hones-Model-Rocket/dp/B004LOYLMS/ref=sr_1_44?ie=UTF8&qid=1423701070&sr=8-44&keywords=model+rocket), [site visited Feb. 11, 2015 7:32:49 PM].  
 “English Country” Brown Coat Rack, review date Dec. 6, 2008, online, <http://www.rcwilley.com/Furniture/Home-D-cor/Racks/6894755/-English-Country-Brown-Coat-Rack-View.jsp>, [site visited Feb. 11, 2015 8:35:17 PM].  
 Motorized, Rotating Christmas Tree Stands at Brookstone, review date Apr. 4, 2012, online, <http://www.brookstone.com/REVOLVING-TREE-STAND-8776705-2>, [site visited Feb. 11, 2015 8:38:16 PM].  
 G.T. Water Products Black—Toilet Plunger, review date Jan. 6, 2009, online, [http://www.amazon.com/...-Master-Plunger/dp/B000BQLR1Y/ref=sr\\_1\\_8?m=A3BUJ4ZPESQSK2&s=kitchen-bath&ie=UTF8&qid=1423692544&sr=1-8#customerReviews](http://www.amazon.com/...-Master-Plunger/dp/B000BQLR1Y/ref=sr_1_8?m=A3BUJ4ZPESQSK2&s=kitchen-bath&ie=UTF8&qid=1423692544&sr=1-8#customerReviews), [site visited Feb. 11, 2015 5:11:00 PM].  
 Manfrotto Alu Air-Cushioned Compact Stand, review date Sep. 1, 2009, online, [product/609058-Reg/Manfrotto\\_1052BAC\\_1052BAC\\_Alu\\_Air\\_Cushioned.html](http://www.manfrotto.com/product/609058-Reg/Manfrotto_1052BAC_1052BAC_Alu_Air_Cushioned.html), [site visited Feb. 11, 2015 8:01:37 PM].  
 Seven photographs of the Mini Pro Sink & Drain Plunger sold by Waxman Consumer Products Group Inc., Bedford Heights, OH 44146. (4 pages). The Mini Pro Sink & Drain Plunger, Dec. 18, 2009.  
 One photograph of a Plunger sold in U.S. Commerce (1 page), the Plunger is prior art to the present application, that is, the Plunger shown in the photograph was sold in U.S. Commerce more than one-year prior to the filing date of the subject application, namely, May 9, 2012.  
 Orbit Intelligence, cApacity of the toilet plunger device for RGN D1278878, online, <https://www31.orbit.com/?locale=en&ticket=ec8817fa-ac25-4e06-b050-8a07509ce414#DesignFullPage>. (1 page). [site visited May 16, 2017].  
 G.T. Water Products, Inc. MPS4 Master Plunger Shorty, Black, online [https://www.amazon.com/Products-MPS4-Master-Plunger-Shorty/dp/B005UJLVGI/ref=sr\\_1\\_68?s=home-garden&ie=UTF8&qid=1494990067&sr=1-68&keyword=toilet+plunger](https://www.amazon.com/Products-MPS4-Master-Plunger-Shorty/dp/B005UJLVGI/ref=sr_1_68?s=home-garden&ie=UTF8&qid=1494990067&sr=1-68&keyword=toilet+plunger), [site visited May 16, 2017 11:02:16 PM], (9 pages).  
 PlumbCraft Powerful Mini Home Plunger for All Drain Types, including showers, tubs, and sinks—Small-7.5"H- -Amazon.com, online [https://www.amazon.com/PlumbCraft-Powerful-Plunger-including-showers/dp/B01GAIB0ZY/ref=sr\\_1\\_8?ie=UTF8&qid=1494989706&sr=8-8&keywords=waxman+plunger](https://www.amazon.com/PlumbCraft-Powerful-Plunger-including-showers/dp/B01GAIB0ZY/ref=sr_1_8?ie=UTF8&qid=1494989706&sr=8-8&keywords=waxman+plunger) [site visited May 16, 2017 10:56:25 PM]. (5 pages).  
 Amazon.com: PlumbCraft Heavy Duty Toilet Plunger—Bellows, Black: Home Improvement, online [https://www.amazon.com/PlumbCraft-Heavev-Duty-Toilet-Plunger/dp-B00J4I8B8M/ref=cm\\_cr\\_arp\\_d\\_product\\_top?ie=UTF8](https://www.amazon.com/PlumbCraft-Heavev-Duty-Toilet-Plunger/dp-B00J4I8B8M/ref=cm_cr_arp_d_product_top?ie=UTF8) [site visited May 16, 2017 10:54:36 PM]. (6 pages).

\* cited by examiner

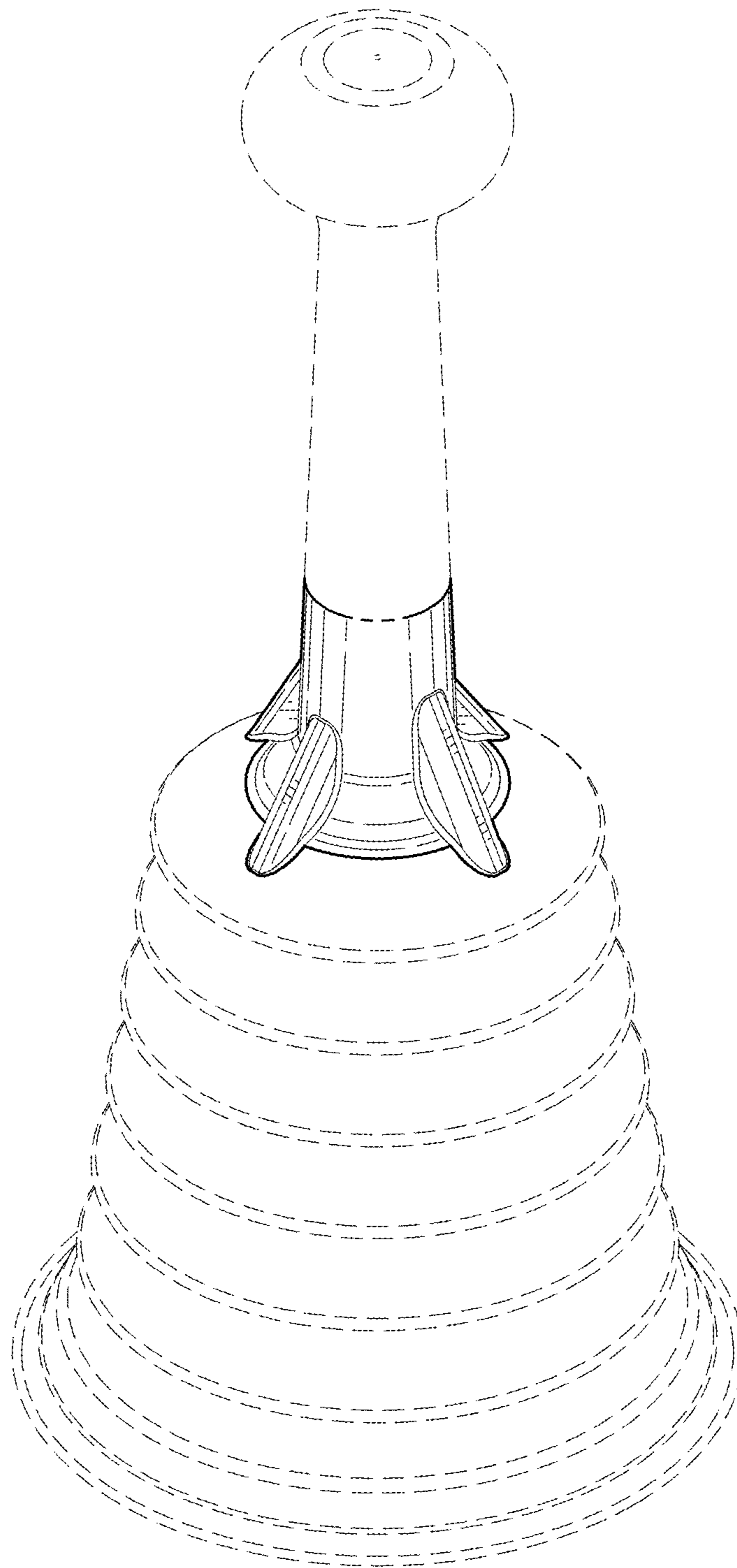


FIG. 1

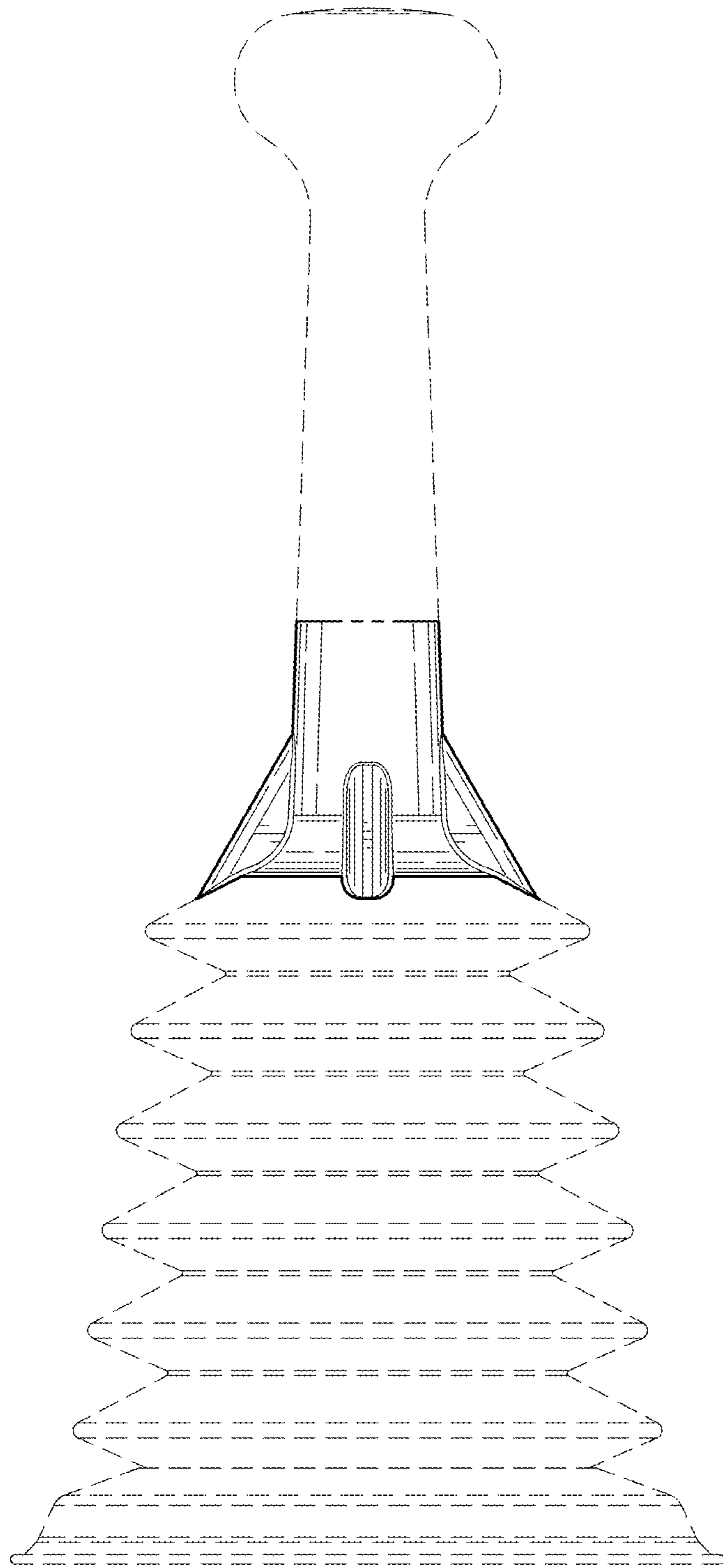


FIG. 2

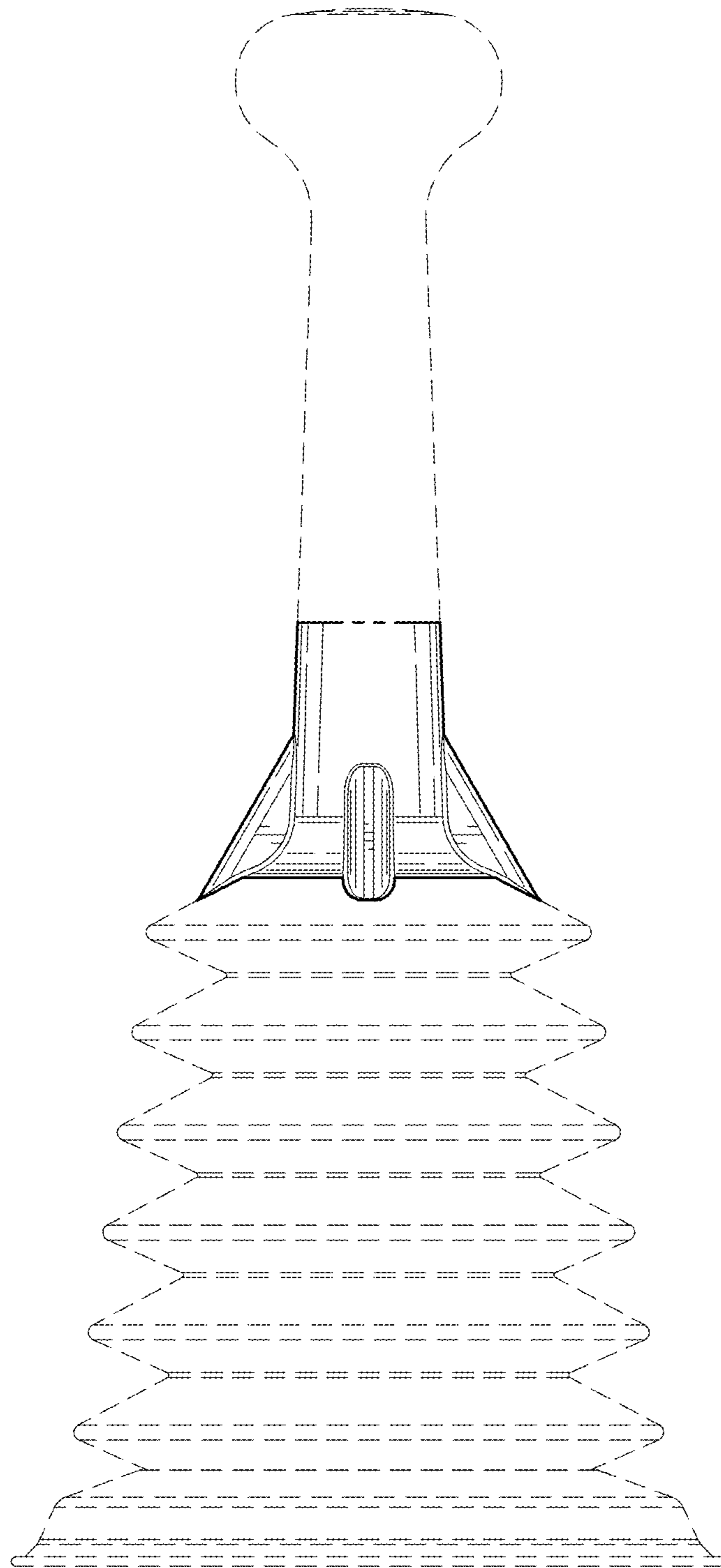


FIG. 3

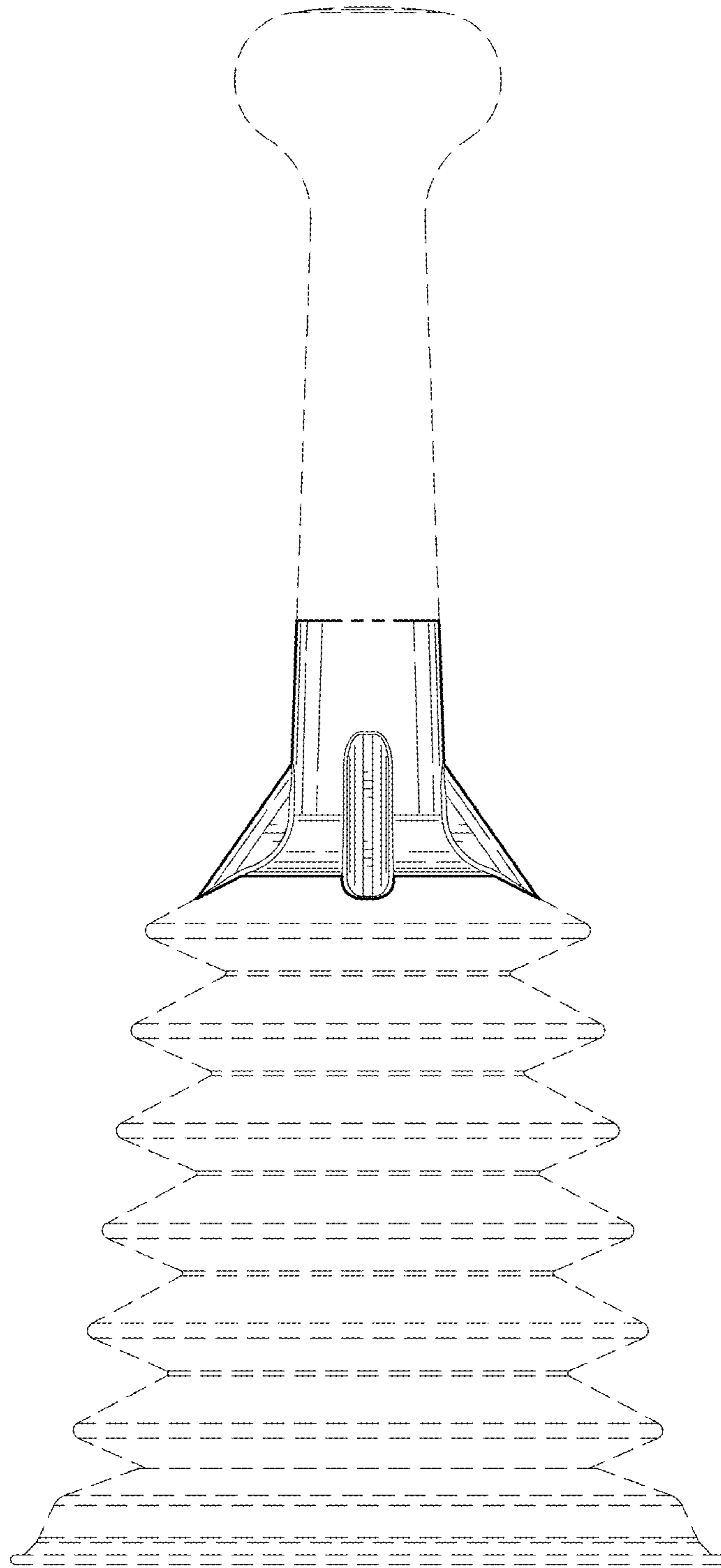


FIG. 4

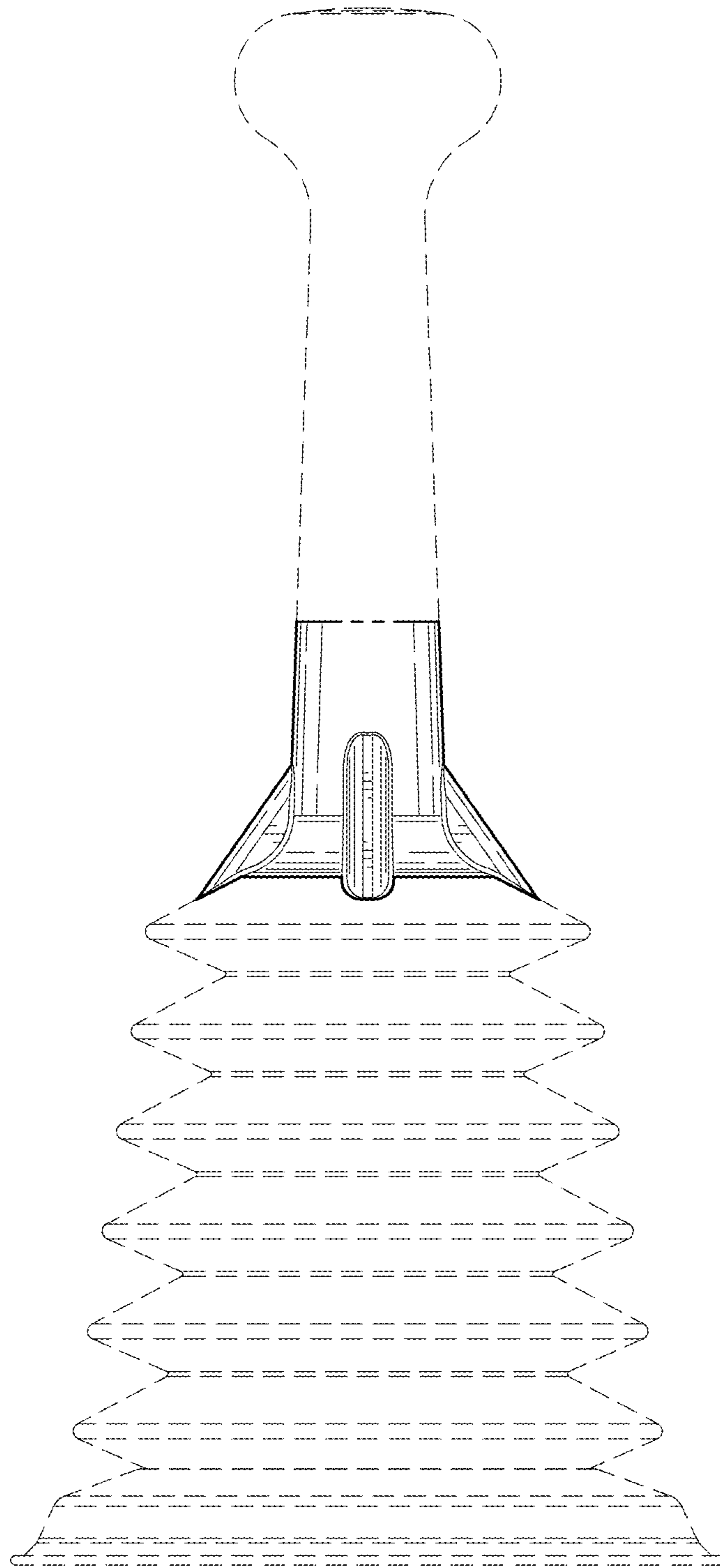


FIG. 5

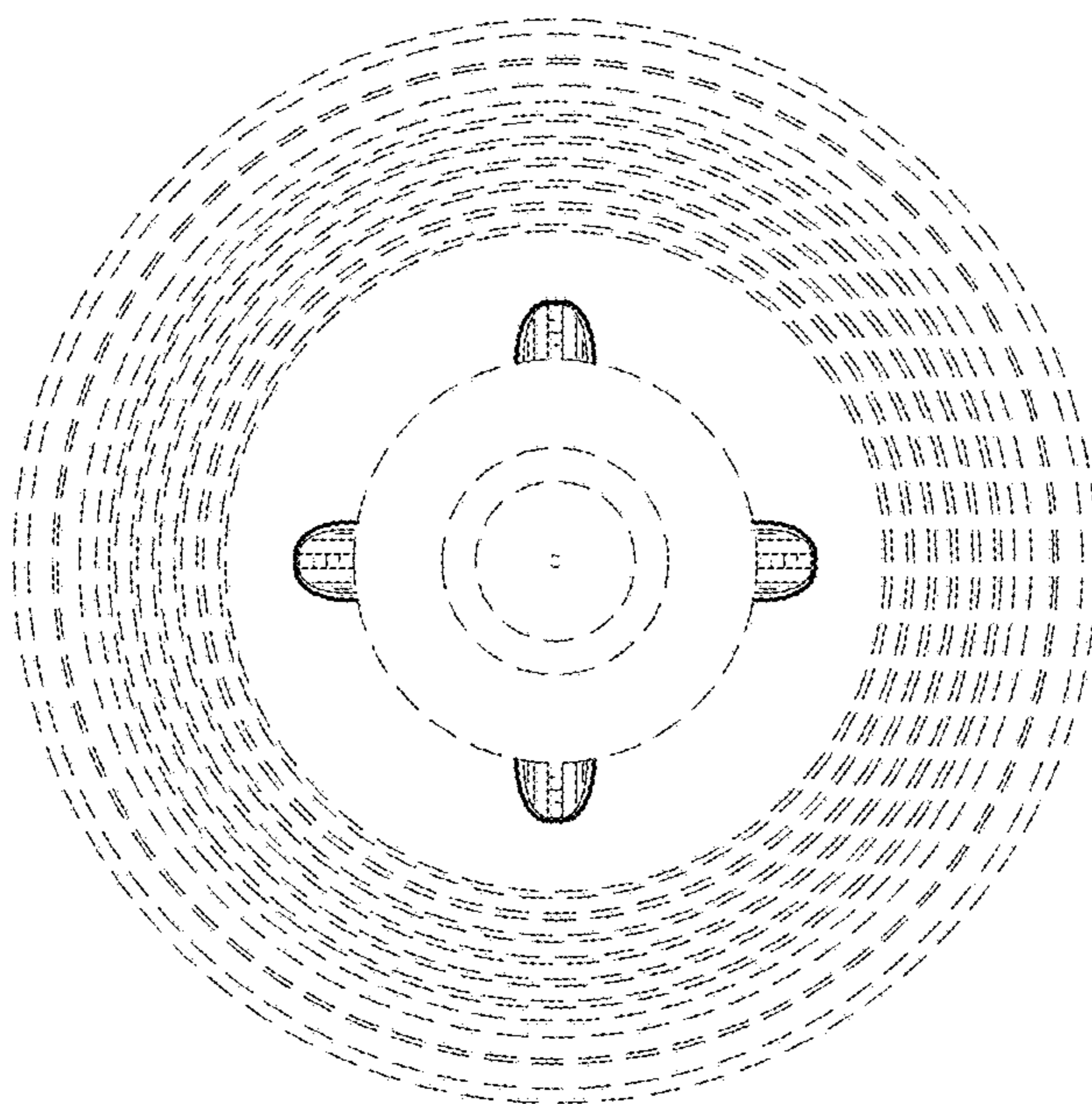


FIG. 6

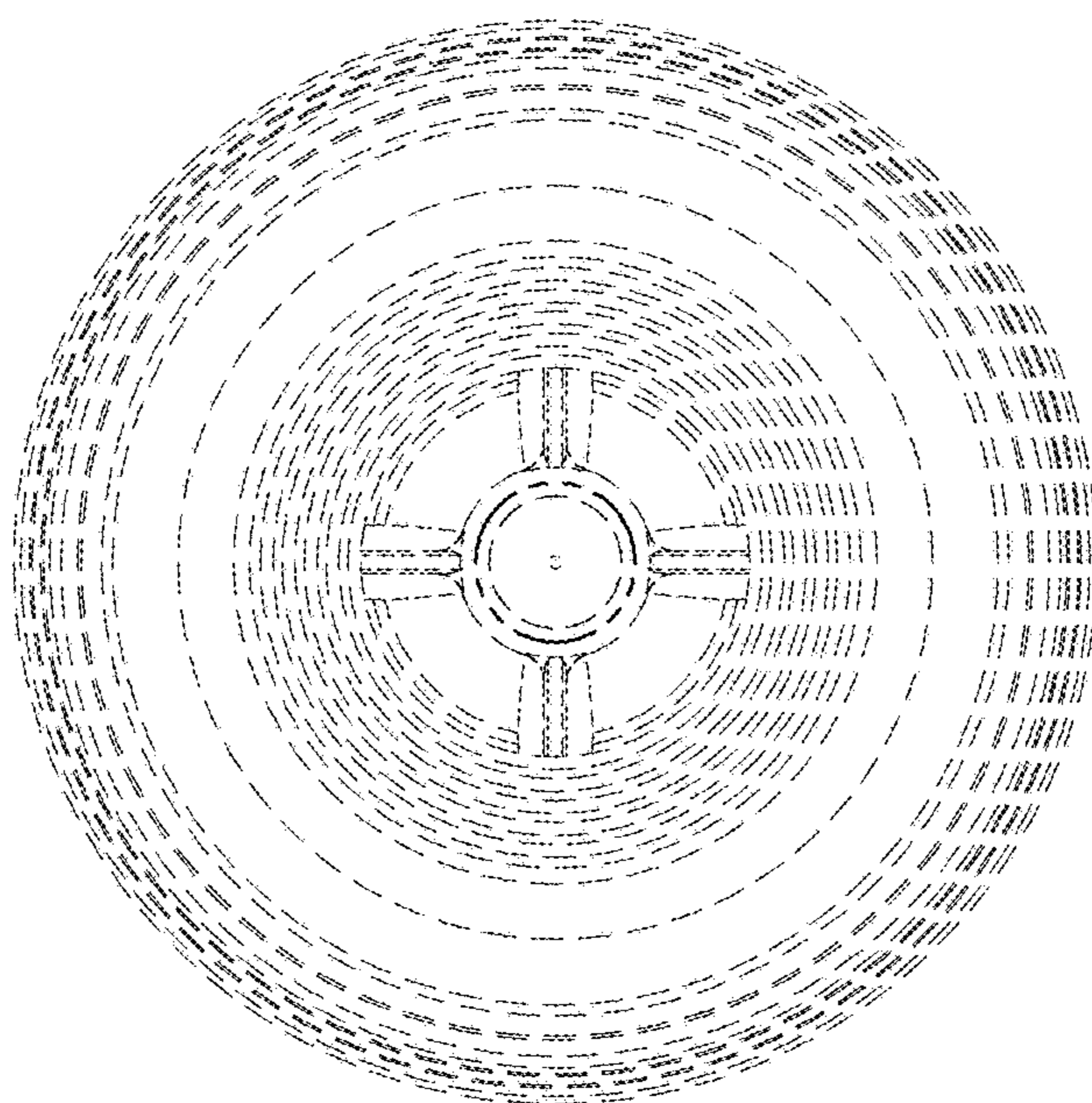


FIG. 7