



US00D814720S

(12) **United States Design Patent**  
**Bixby et al.**

(10) **Patent No.:** **US D814,720 S**  
(45) **Date of Patent:** **\*\* Apr. 3, 2018**

- (54) **WASHING MACHINE**
- (71) Applicant: **WHIRLPOOL CORPORATION**,  
Benton Harbor, MI (US)
- (72) Inventors: **Seth E. Bixby**, Stevensville, MI (US);  
**Richard K. Gresens**, St. Joseph, MI  
(US); **Andrew C. Kubasiak**, St.  
Joseph, MI (US); **Sayer J. Murphy**, St.  
Joseph, MI (US)
- (73) Assignee: **Whirlpool Corporation**, Benton  
Harbor, MI (US)

D595,908 S *	7/2009	Park .....	D32/6
D618,865 S	6/2010	Cline et al.	
D627,115 S	11/2010	Jeon et al.	
D631,623 S	1/2011	Chung et al.	
D632,033 S *	2/2011	Song .....	D32/6
D681,892 S	5/2013	Meda et al.	
D694,965 S *	12/2013	Lee .....	D32/6
D699,907 S *	2/2014	Choi .....	D32/28
D708,800 S	7/2014	Choi et al.	
D718,505 S	11/2014	Hyoungsub et al.	
D729,467 S *	5/2015	Jee .....	D32/6
D730,597 S *	5/2015	Jeon .....	D32/8
D739,096 S *	9/2015	Qin .....	D32/6
D772,506 S *	11/2016	Bixby .....	D32/25
D772,507 S *	11/2016	Bixby .....	D32/25
D776,886 S *	1/2017	Choi .....	D32/8

(\*\*) Term: **15 Years**

\* cited by examiner

(21) Appl. No.: **29/548,538**

*Primary Examiner* — Susan Bennett Hattan

(22) Filed: **Dec. 15, 2015**

*Assistant Examiner* — Rebecca Tsehaye

(51) **LOC (11) Cl.** ..... **15-05**

(74) *Attorney, Agent, or Firm* — Price Heneveld LLP

(52) **U.S. Cl.**  
USPC ..... **D32/6**

(58) **Field of Classification Search**  
USPC ..... D32/1, 2, 5, 6, 8, 10, 26, 29.1;  
312/228.1, 294, 326, 236  
CPC ..... D06F 23/00; D06F 23/02; D06F 23/025;  
D06F 23/06; D06F 21/00; D06F 21/02;  
D06F 21/04; D06F 21/10; D06F 21/12;  
D06F 21/14; D06F 25/00; D06F 27/00;  
D06F 37/00; D06F 37/02; D06F 37/04;  
D06F 37/06; D06F 37/05; D06F 37/08;  
D06F 37/10; D06F 37/12  
See application file for complete search history.

(57) **CLAIM**

The ornamental design for a washing machine, as shown and described.

**DESCRIPTION**

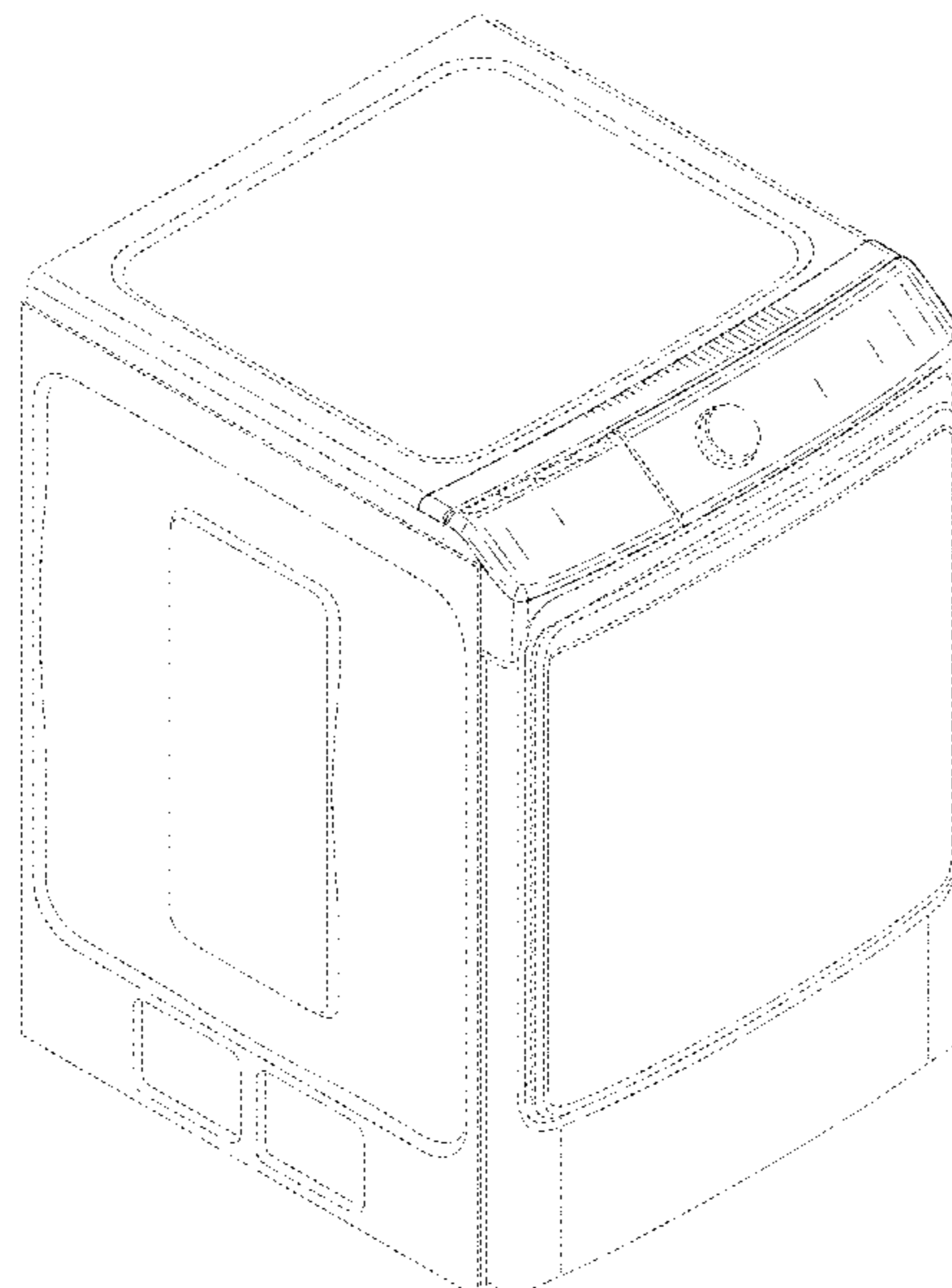
FIG. 1 is a front perspective view of a washing machine according to our design;  
FIG. 2 is a front elevation view thereof;  
FIG. 3 is a back elevation view thereof;  
FIG. 4 is a right side elevation view thereof;  
FIG. 5 is a left side elevation view thereof;  
FIG. 6 is a top plan view thereof; and,  
FIG. 7 is a bottom plan view thereof.  
The broken lines illustrate features of the washing machine that form no part of the claimed design.  
Dash-dot lines adjacent un-shaded areas represent bounds of the claimed design and form no part of the claimed design.

(56) **References Cited**

U.S. PATENT DOCUMENTS

D528,712 S *	9/2006	Ha .....	D32/6
D536,145 S *	1/2007	Lee .....	D32/6
D589,215 S	3/2009	Cho et al.	

**1 Claim, 7 Drawing Sheets**



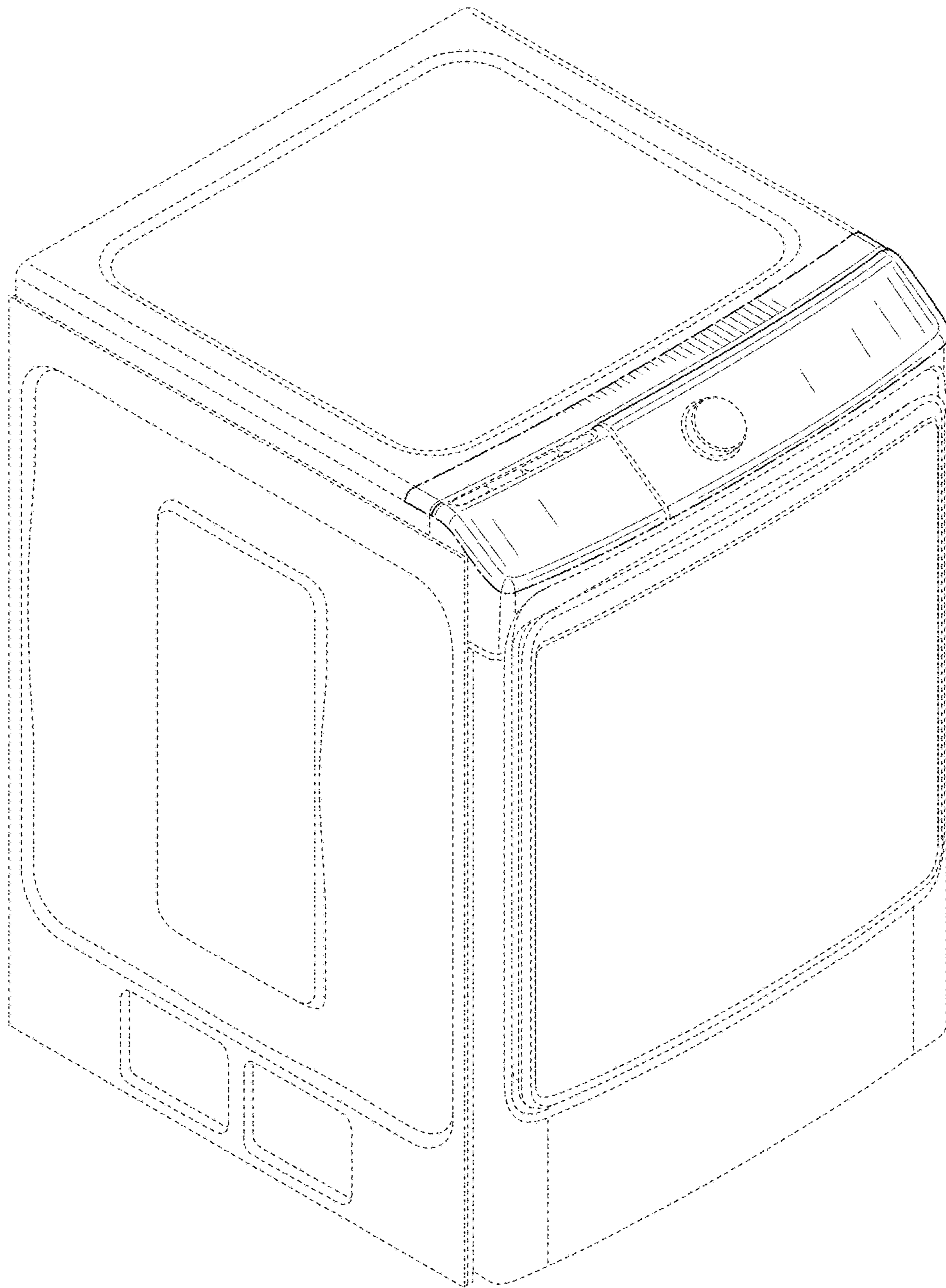


FIG. 1

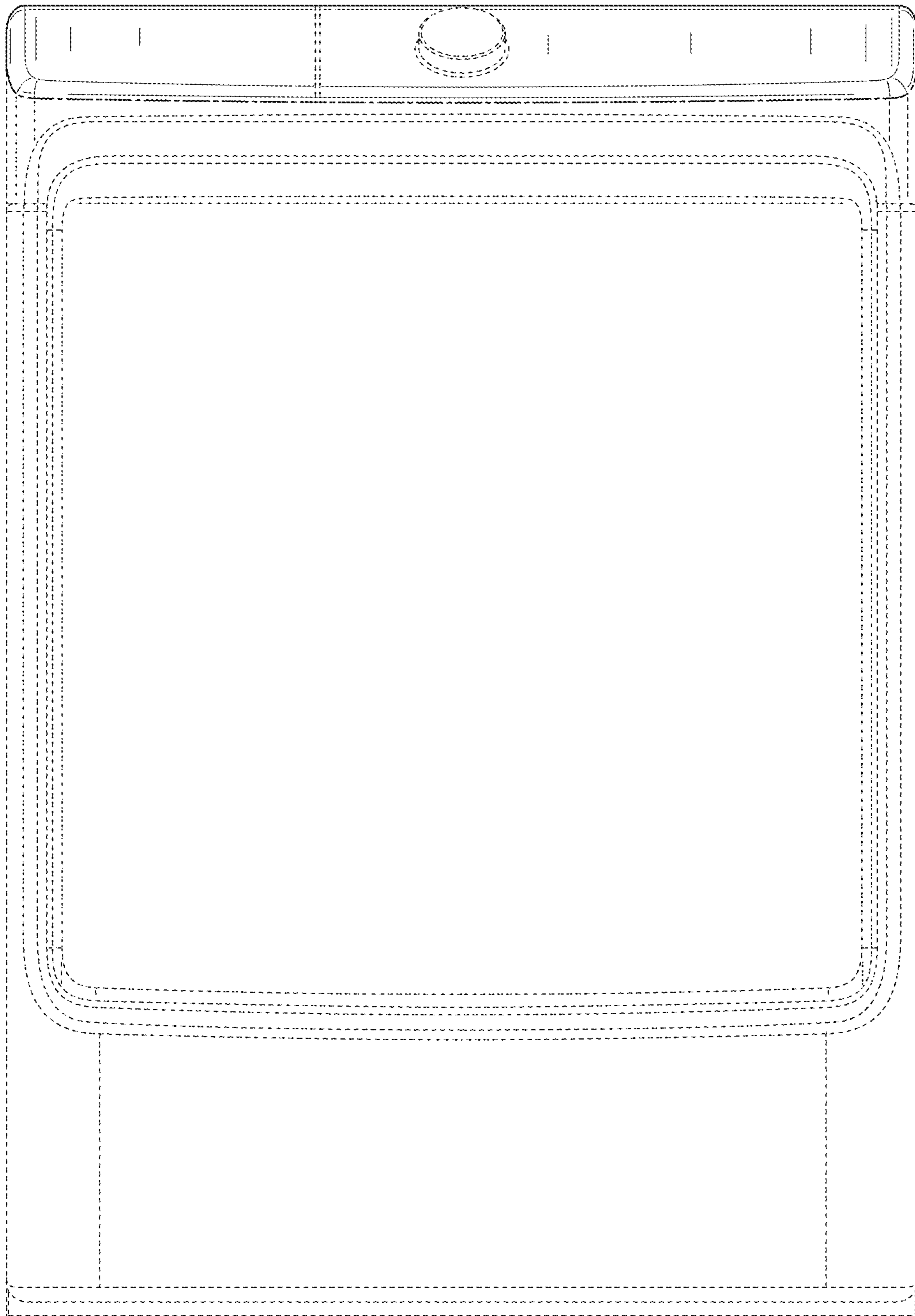
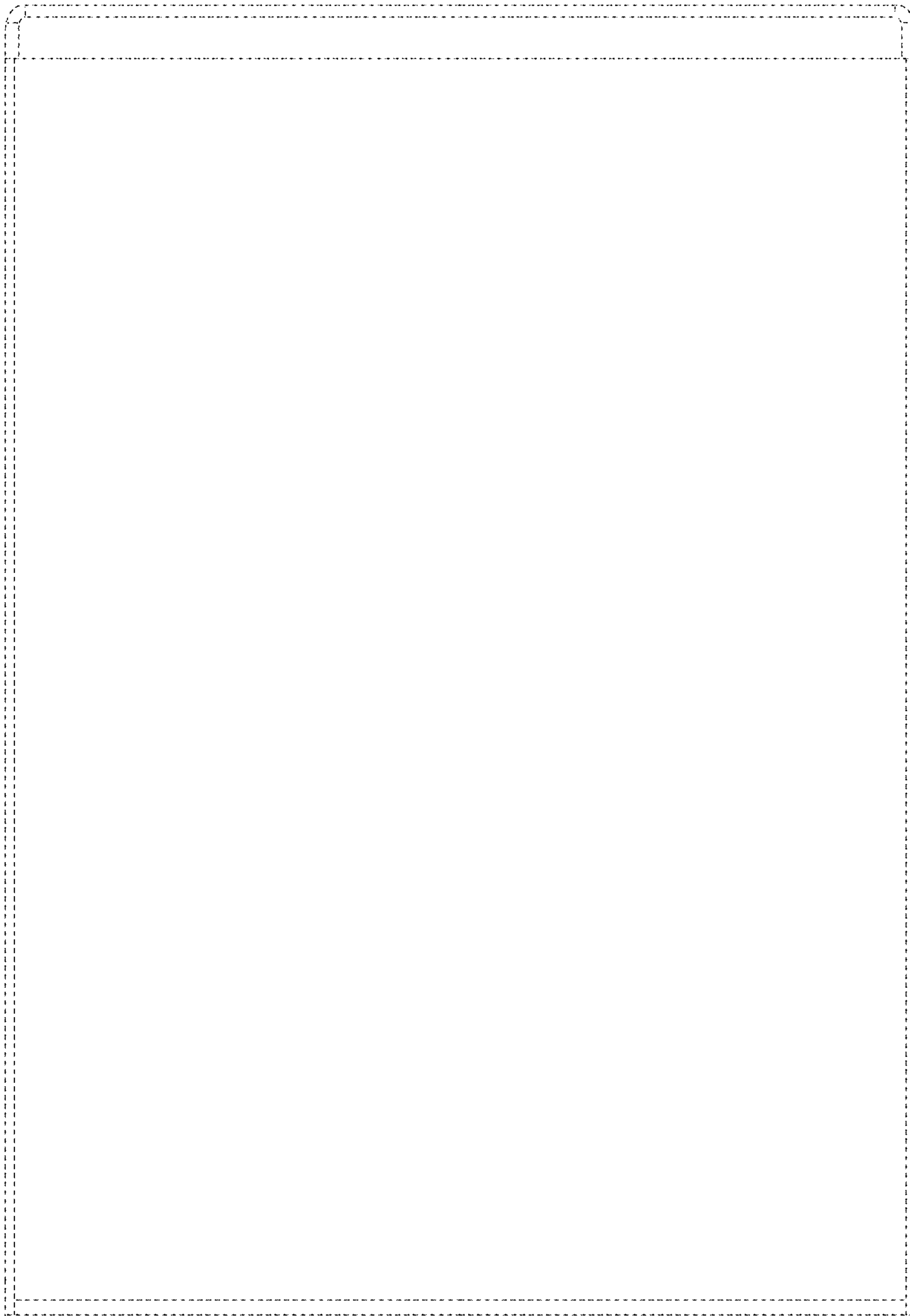


FIG. 2



**FIG. 3**

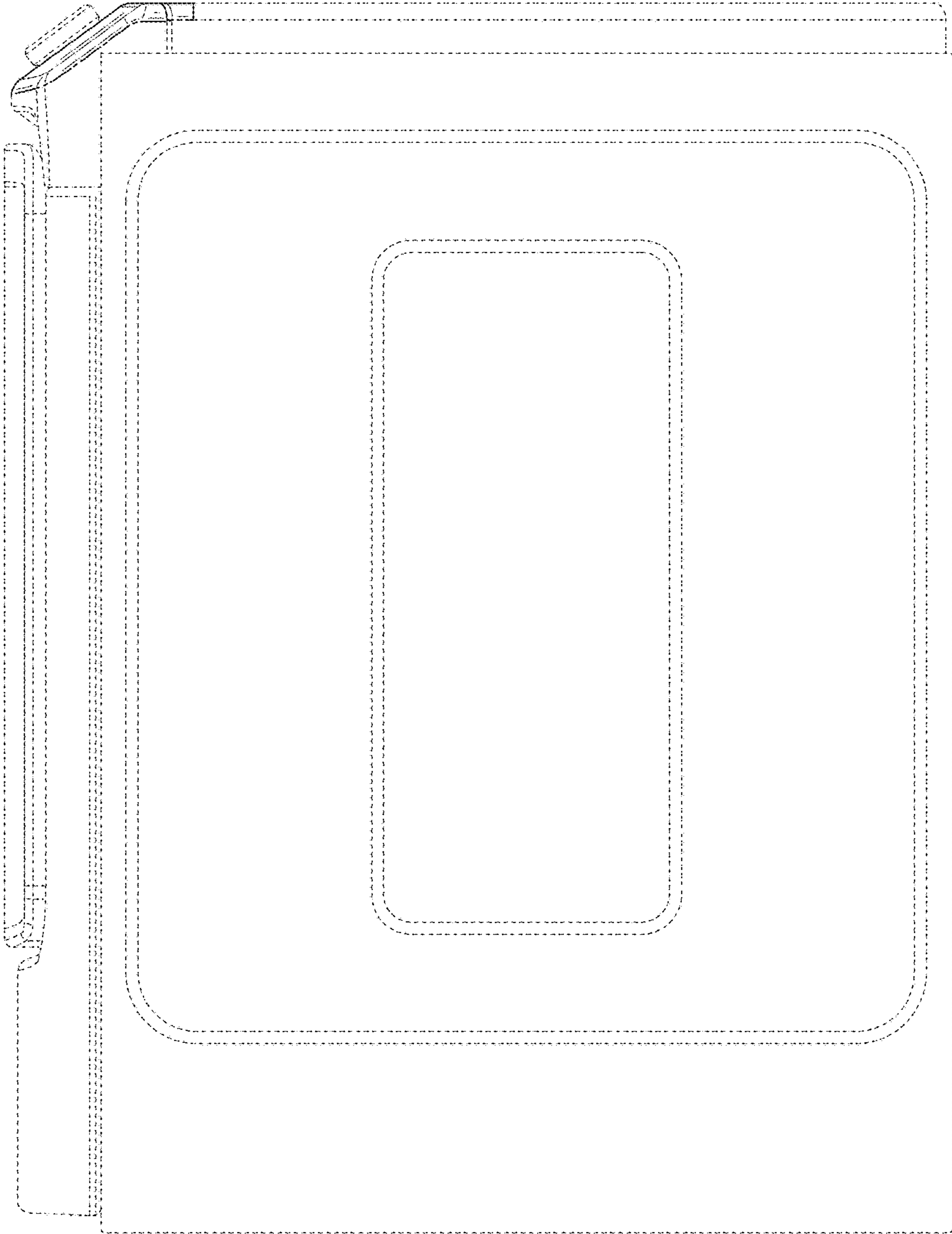


FIG. 4

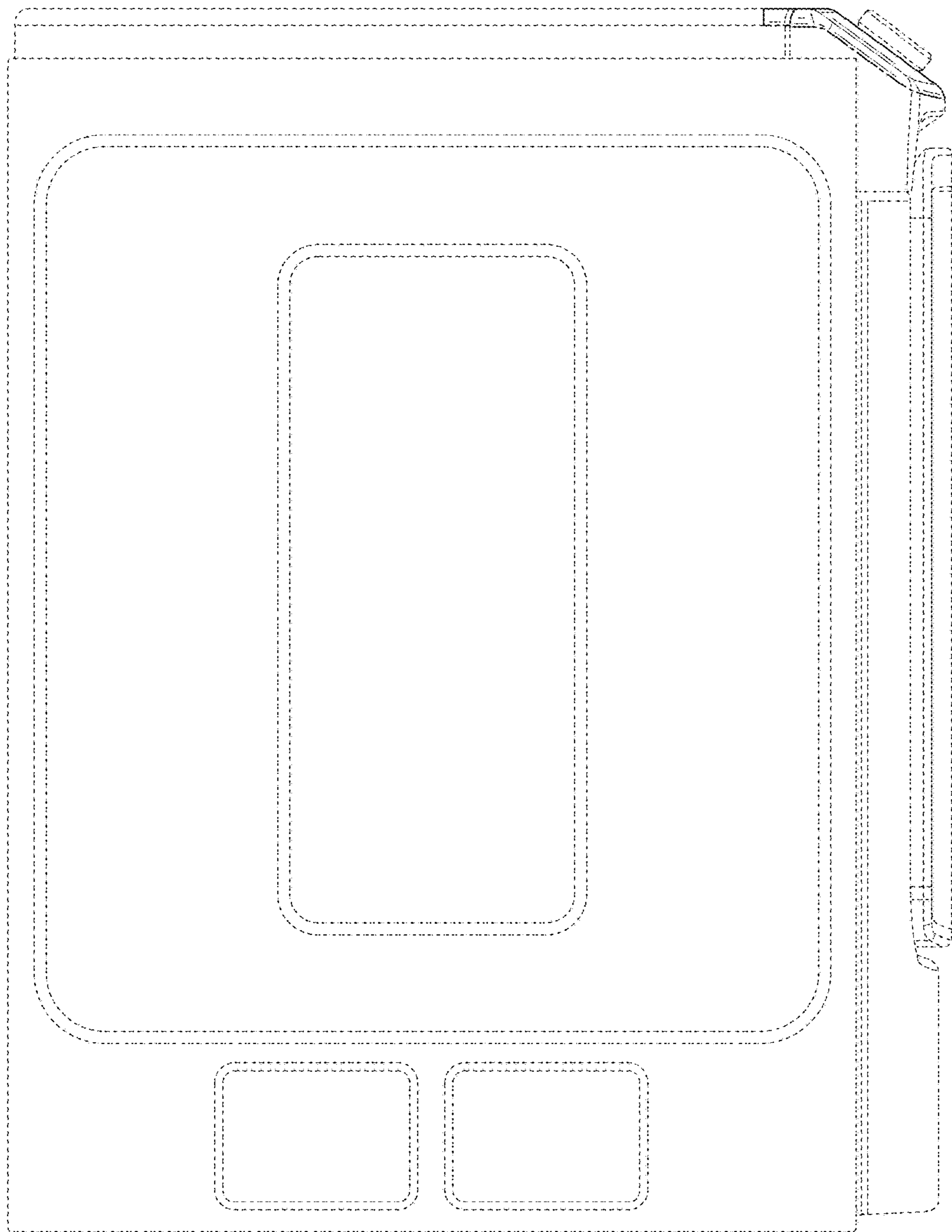


FIG. 5

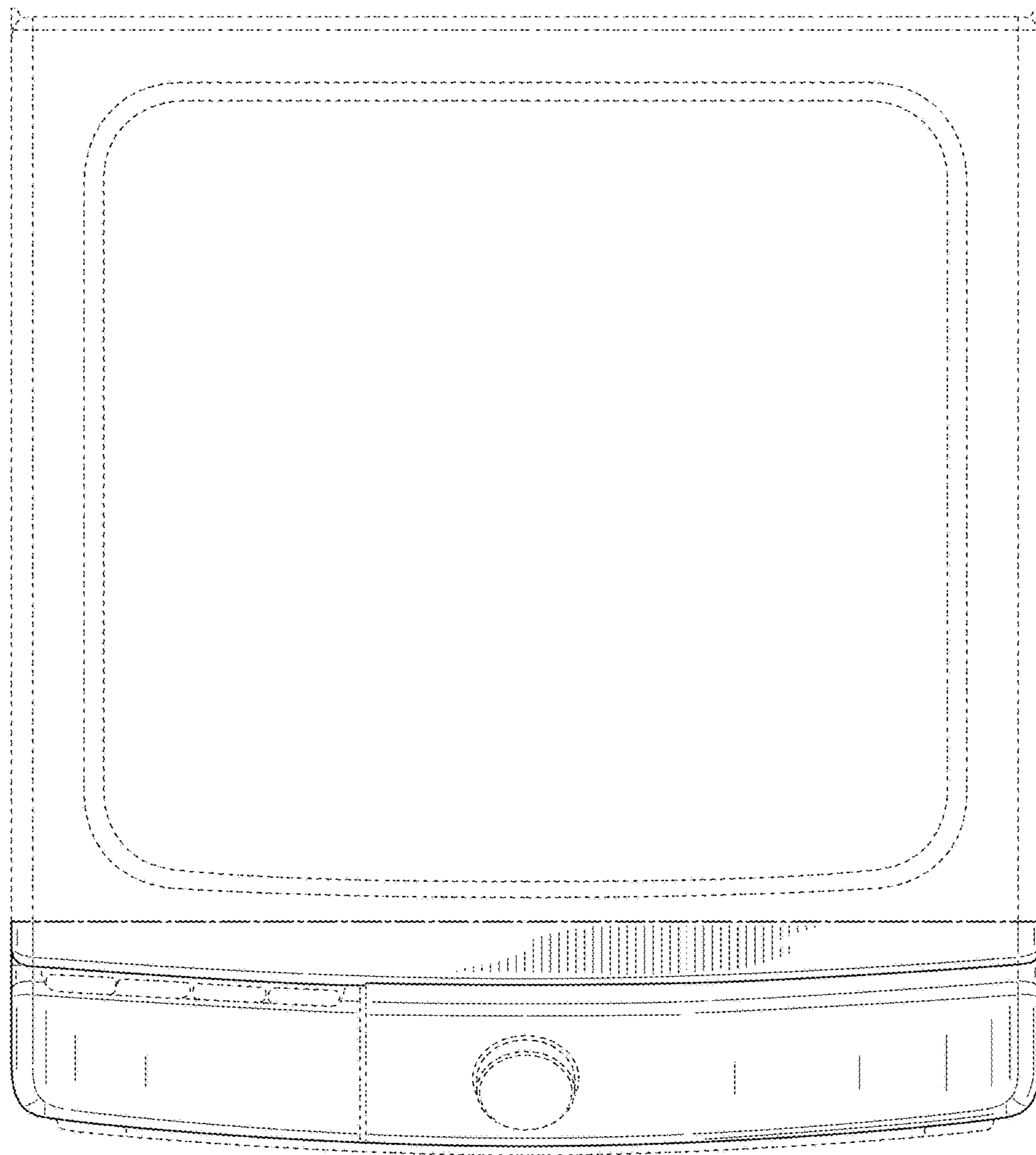
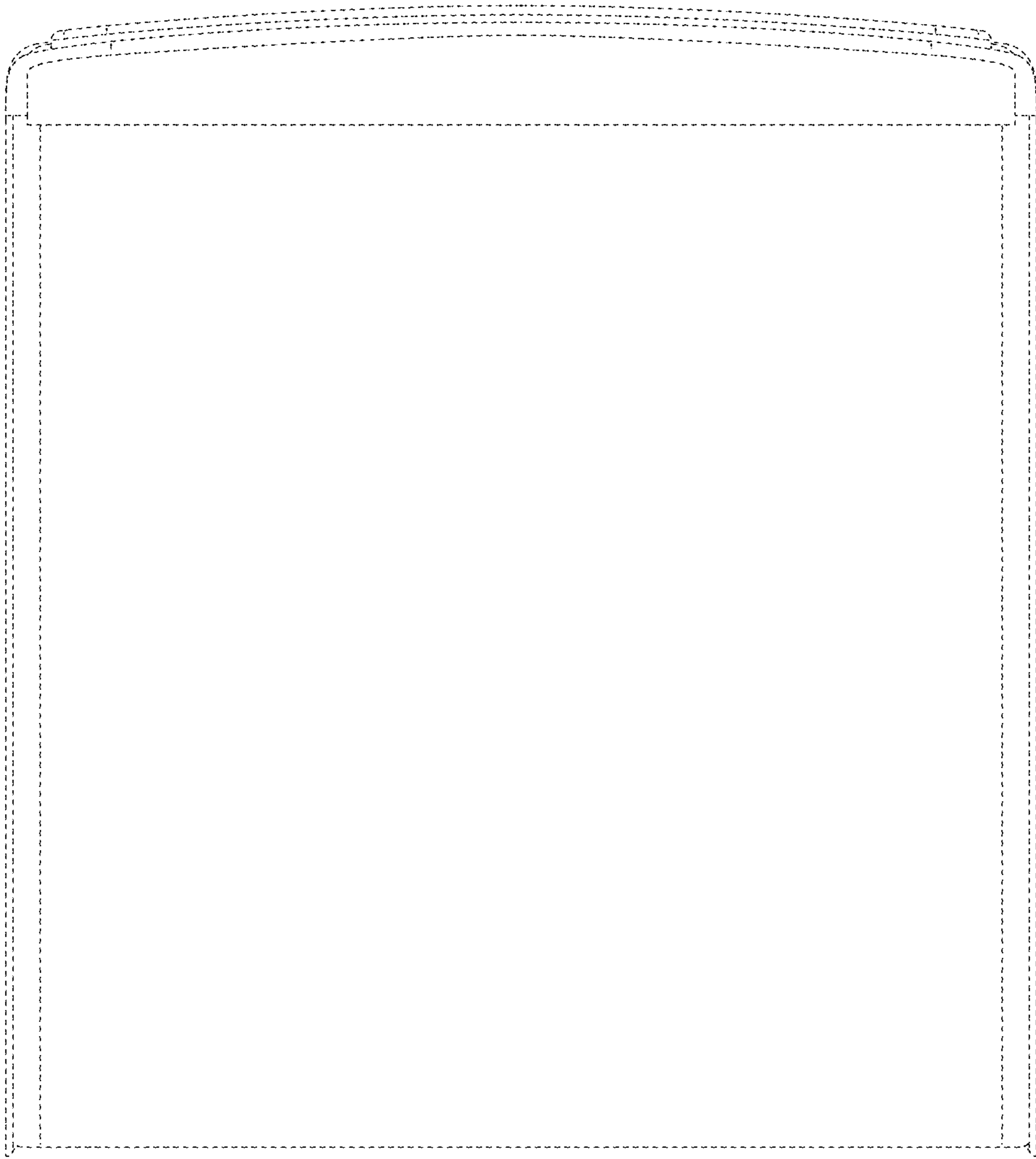


FIG. 6



**FIG. 7**