



US00D814715S

(12) **United States Design Patent** (10) **Patent No.:** **US D814,715 S**  
**Fox** (45) **Date of Patent:** **\*\* Apr. 3, 2018**

(54) **POULTRY NOURISHMENT DEVICE** 727,597 A \* 5/1903 Day ..... A01K 39/026  
119/77  
(71) Applicant: **Kristi Fox**, Miami, FL (US) 813,954 A \* 2/1906 Davis ..... A01K 39/026  
119/77  
(72) Inventor: **Kristi Fox**, Miami, FL (US) 825,382 A \* 7/1906 Davis ..... A01K 39/026  
119/77  
(\*\*) Term: **15 Years** (Continued)

(21) Appl. No.: **29/614,779**  
(22) Filed: **Aug. 23, 2017**

**Related U.S. Application Data**

(63) Continuation-in-part of application No. 29/529,022,  
filed on Jun. 3, 2015, now Pat. No. Des. 799,756.

(51) **LOC (11) Cl.** ..... **30-03**

(52) **U.S. Cl.**  
USPC ..... **D30/124; D30/132; D30/127; D30/121;**  
**D30/131**

(58) **Field of Classification Search**  
USPC ..... D30/121, 122, 132, 124, 127, 128, 131,  
D30/133; D22/122, 123; 43/121, 124,  
43/126, 131, 132.1, 133, 138, 114, 107;  
119/53, 51.01, 51.5, 52.1, 52.3-61.4,  
119/72-81

CPC .. A01K 5/0225; A01K 39/026; A01K 39/012;  
A01K 39/00-39/06; A01K 5/00; A01K  
5/01; A01K 5/0107; A01K 5/02; A01K  
5/0216-5/0291; A01K 7/00; A01K  
7/02-7/06; A01M 1/023; A01M 1/026;  
A01M 1/04; A01M 1/08; A01M 1/10;  
A01M 1/00; A01M 1/02

See application file for complete search history.

(56) **References Cited**

**U.S. PATENT DOCUMENTS**

723,651 A \* 3/1903 Cogswell ..... A01K 39/026  
119/77

**OTHER PUBLICATIONS**

Bantam/Quail Chick Waterer <http://www.mypetchicken.com/catalog/Chicken-Supplies/Bantam-Quail-Chick-Waterer-p1842.aspx>  
(accessed Aug. 6, 2015).

*Primary Examiner* — Susan Moon Lee

(74) *Attorney, Agent, or Firm* — Greg M. Popowitz;  
Assouline & Berlowe, P.A.

(57) **CLAIM**

The ornamental design for a poultry nourishment device, as shown and described.

**DESCRIPTION**

FIG. 1 is an exploded upper perspective view of the poultry nourishment device in which a base is shown disengaged from the jar component of the device;

FIG. 2 is an upper perspective view of the poultry nourishment device in which a base is shown engaged with the jar component of the device;

FIG. 3 is an exploded rear upper perspective view of the poultry nourishment device in which a base is shown disengaged from the jar component of the device;

(Continued)

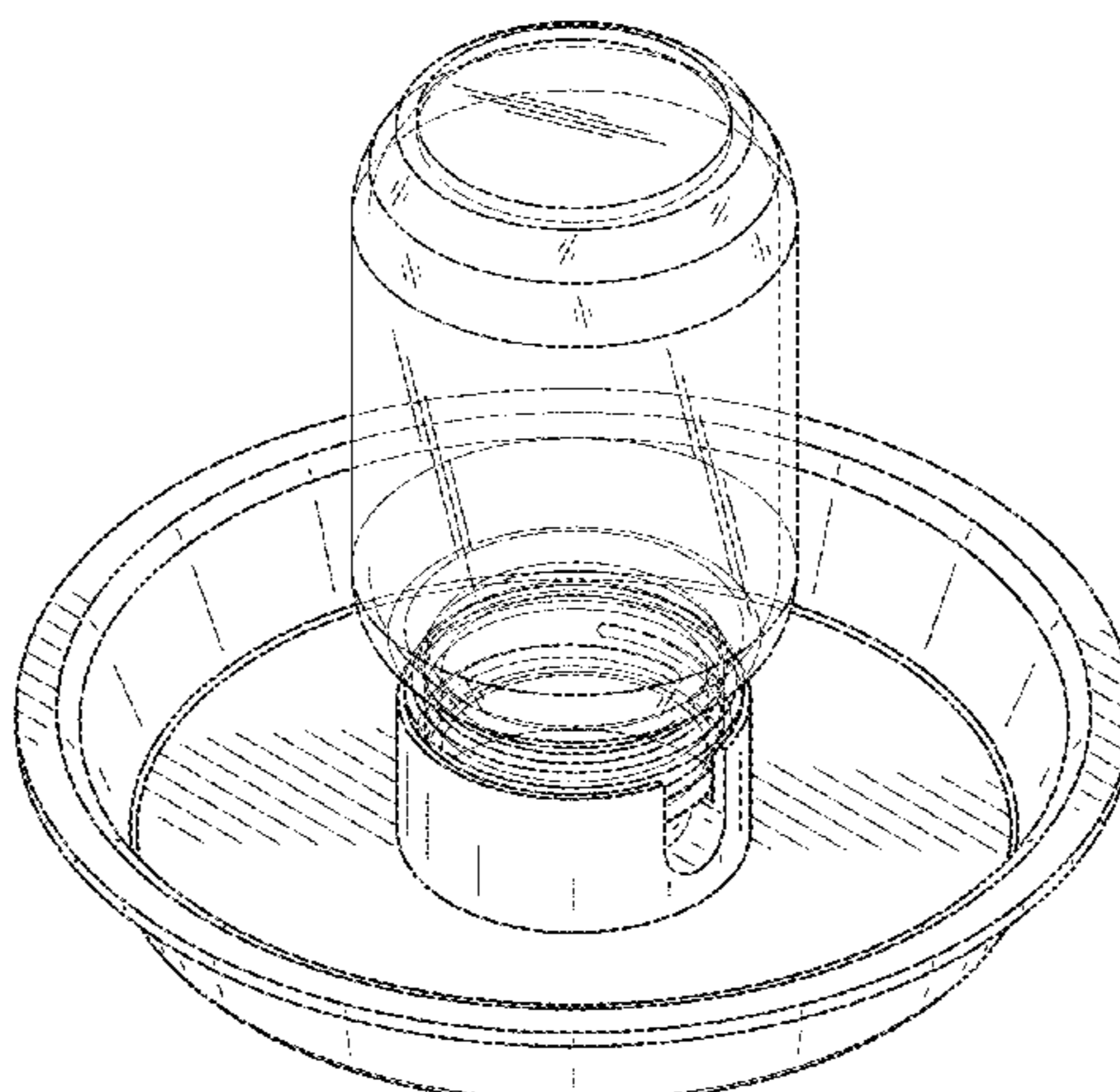


FIG. 4 is an exploded lower perspective view of the poultry nourishment device in which a base is shown disengaged from the jar component of the device;  
 FIG. 5 is an offset top view of the poultry nourishment device in which the exemplary jar component and base are shown disassembled from each other;  
 FIG. 6 is a bottom view thereof;  
 FIG. 7 is an exploded side view of the poultry nourishment device; and,  
 FIG. 8 is a side view of the poultry nourishment device, shown in a fully assembled condition.

**1 Claim, 8 Drawing Sheets**

(56)

**References Cited**

U.S. PATENT DOCUMENTS

966,907 A \* 8/1910 Grant ..... A01K 39/026  
 119/77  
 983,978 A \* 2/1911 Chapman ..... A01K 39/026  
 119/77  
 987,551 A \* 3/1911 Chambers ..... A01K 39/026  
 119/77  
 1,005,659 A \* 10/1911 Sexton ..... A01K 39/026  
 119/77  
 1,023,240 A \* 4/1912 Bowie ..... A01K 39/026  
 119/77  
 1,023,658 A \* 4/1912 Klussman ..... A01K 39/026  
 119/77  
 1,069,943 A \* 8/1913 Haffey ..... A01K 39/026  
 119/52.1  
 1,107,206 A \* 8/1914 Schwartzburg ..... A01K 39/026  
 119/77  
 1,136,092 A \* 4/1915 Blumer ..... A01K 39/026  
 119/77  
 1,181,045 A \* 4/1916 Tessier ..... A01K 39/026  
 119/77  
 1,226,594 A \* 5/1917 Pruefert ..... A01K 39/026  
 119/77  
 1,290,775 A \* 1/1919 Oakes ..... A01K 39/026  
 119/77  
 1,488,584 A \* 4/1924 Bakken ..... A01K 39/026  
 119/77  
 1,525,805 A \* 2/1925 Felker ..... A01K 39/026  
 119/77  
 1,526,682 A \* 2/1925 Schrader ..... A01K 39/026  
 119/77  
 1,555,407 A \* 9/1925 Ferris ..... B43L 25/02  
 119/77  
 1,566,571 A \* 12/1925 Appleton ..... A01K 39/026  
 119/77  
 1,607,124 A \* 11/1926 Healy ..... A01K 39/026  
 119/77  
 1,617,988 A \* 2/1927 Boyer ..... A01K 39/026  
 119/52.1  
 1,655,274 A \* 1/1928 Landgraf ..... A01K 39/026  
 119/73  
 1,718,944 A \* 7/1929 Carmean et al. .... A01K 39/026  
 119/77  
 1,734,390 A \* 11/1929 Meredith ..... A01K 39/026  
 119/77

1,801,932 A \* 4/1931 Miller ..... A01K 39/026  
 119/77  
 1,835,964 A \* 12/1931 Pech ..... A01K 39/026  
 119/77  
 1,838,324 A \* 12/1931 Olson ..... A01K 39/026  
 119/77  
 1,879,264 A \* 9/1932 Hughes ..... A01K 39/026  
 119/77  
 1,922,612 A \* 8/1933 Barker ..... A01K 39/00  
 119/77  
 2,148,180 A \* 2/1939 Teigen ..... A01K 39/026  
 119/77  
 D126,997 S 5/1941 Niggeler  
 2,324,020 A \* 7/1943 Pinson ..... A01K 39/026  
 119/77  
 2,530,911 A \* 11/1950 Schultz ..... A01K 39/026  
 119/72  
 2,562,165 A \* 7/1951 Baringer ..... A01K 39/026  
 119/77  
 2,573,802 A \* 11/1951 Mitchell ..... A01K 39/026  
 119/77  
 2,600,103 A \* 6/1952 Feck ..... A01K 39/026  
 119/72  
 2,702,528 A \* 2/1955 Lehmann ..... A01K 39/026  
 119/77  
 2,725,663 A \* 12/1955 Mullen ..... A01M 25/004  
 119/52.4  
 3,170,439 A \* 2/1965 Juenger ..... A01K 39/026  
 119/73  
 3,811,412 A \* 5/1974 Murto ..... A01K 39/0125  
 119/53  
 3,827,405 A \* 8/1974 Allen ..... A01K 39/0125  
 119/53  
 4,955,319 A \* 9/1990 Brucker ..... A01K 39/012  
 119/52.2  
 5,195,463 A \* 3/1993 Lorenzana ..... A01K 45/002  
 119/52.2  
 5,218,926 A \* 6/1993 Wenstrand ..... A01K 39/026  
 119/77  
 D343,030 S \* 1/1994 Harwick, Jr. .... D30/128  
 5,517,944 A \* 5/1996 Bate ..... A01K 5/0225  
 119/53  
 5,782,200 A \* 7/1998 Knowles ..... A01K 39/012  
 119/53  
 5,829,386 A \* 11/1998 Wenstrand ..... A01K 39/026  
 119/77  
 D417,528 S \* 12/1999 Rizzo ..... D30/121  
 D454,669 S \* 3/2002 Lieb ..... D30/125  
 6,866,004 B1 \* 3/2005 Lush ..... A01K 39/012  
 119/52.1  
 D537,353 S \* 2/2007 Bailey ..... D9/540  
 D614,825 S \* 4/2010 Biegel ..... D99/5  
 D674,562 S \* 1/2013 Hoysak ..... D30/121  
 D799,756 S \* 10/2017 Fox ..... D30/124  
 2009/0145875 A1 \* 6/2009 Gardner ..... A01K 39/02  
 215/228  
 2009/0255475 A1 \* 10/2009 Black ..... A01K 39/012  
 119/53  
 2010/0089330 A1 \* 4/2010 McMullen ..... A01K 39/012  
 119/52.3  
 2012/0132144 A1 \* 5/2012 Parks ..... A01K 5/0114  
 119/51.5  
 2014/0251220 A1 \* 9/2014 King ..... A01K 39/01  
 119/53  
 2017/0181411 A1 \* 6/2017 King ..... A01K 39/012

\* cited by examiner



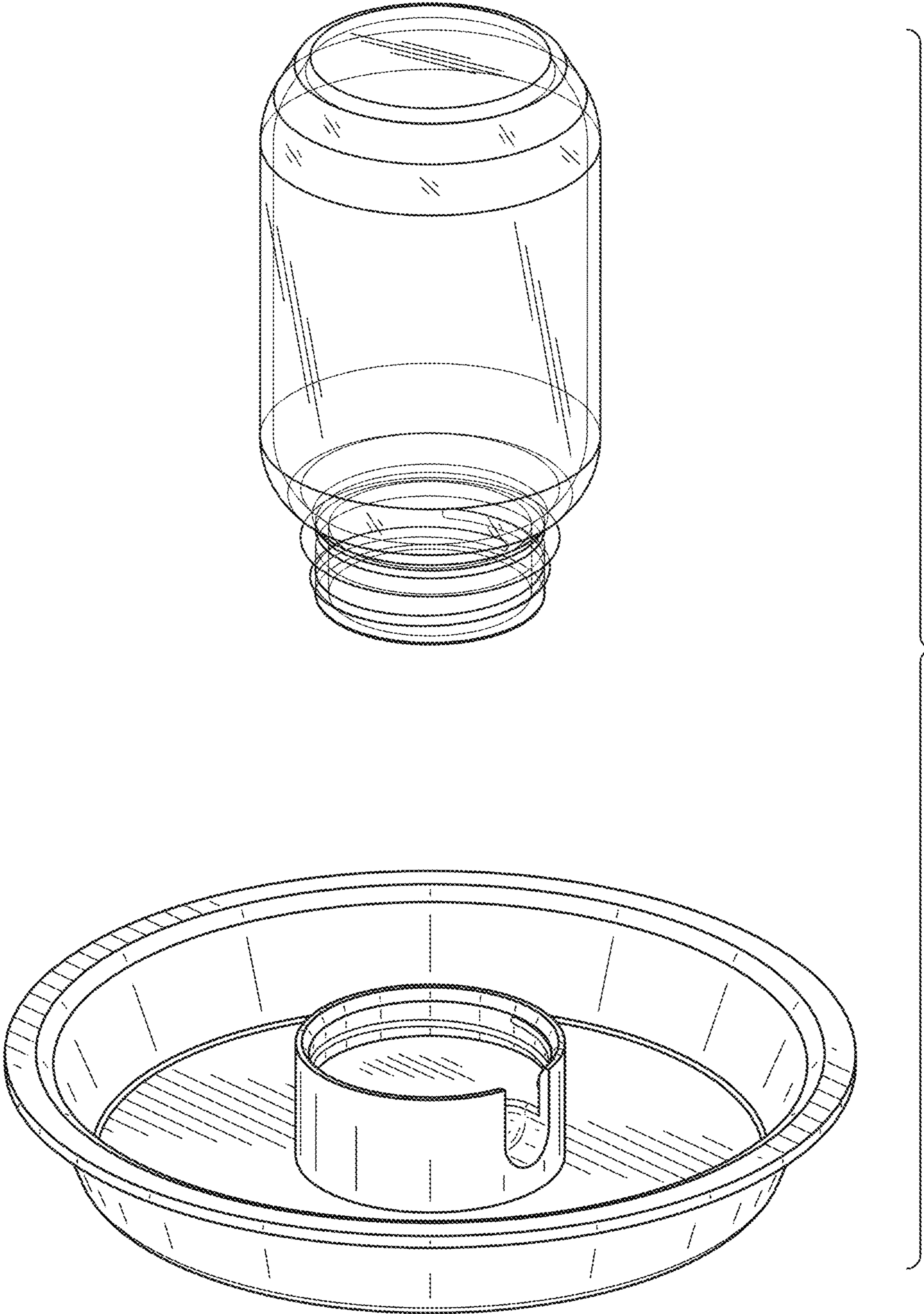


FIG. 1

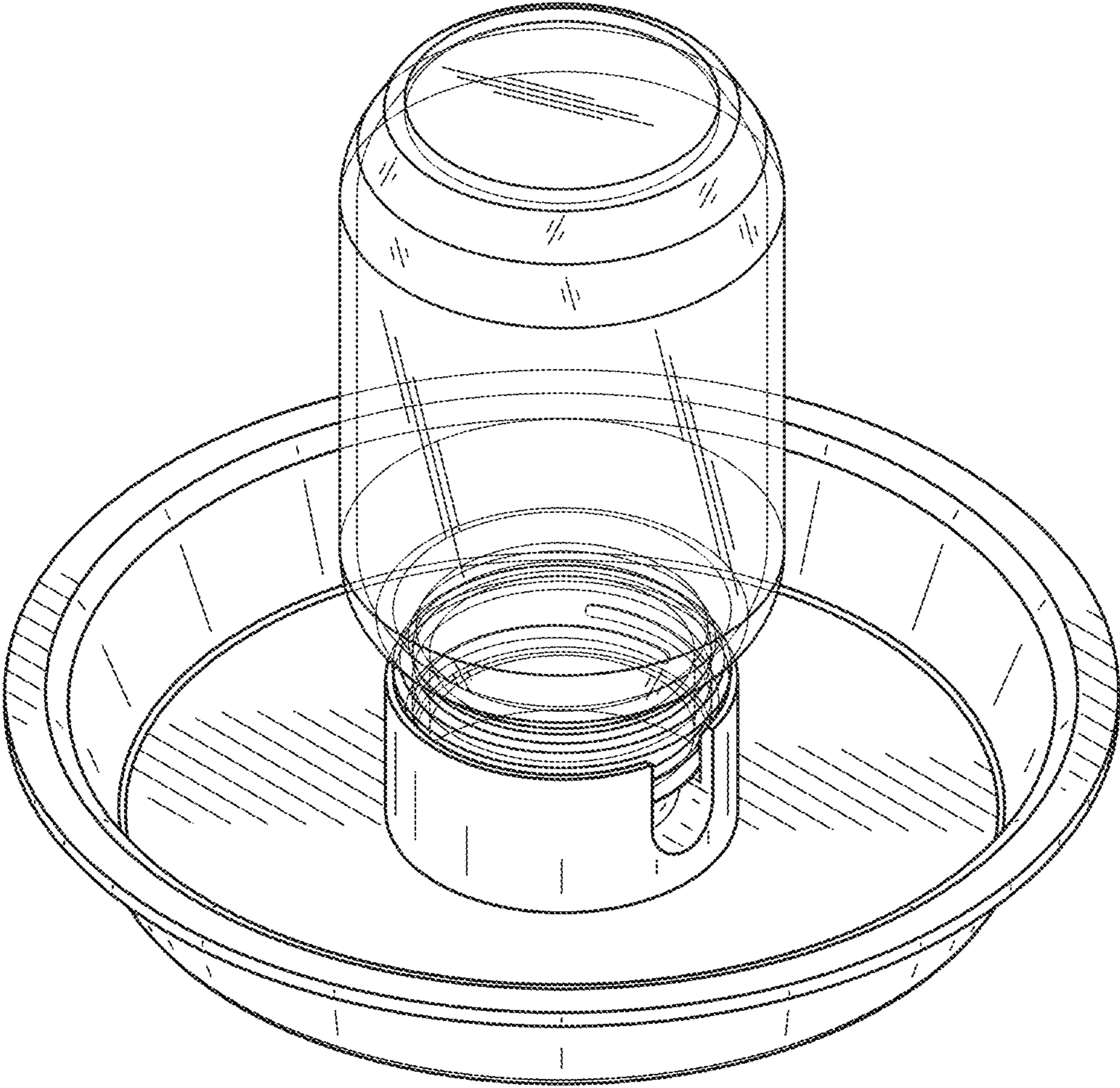


FIG. 2

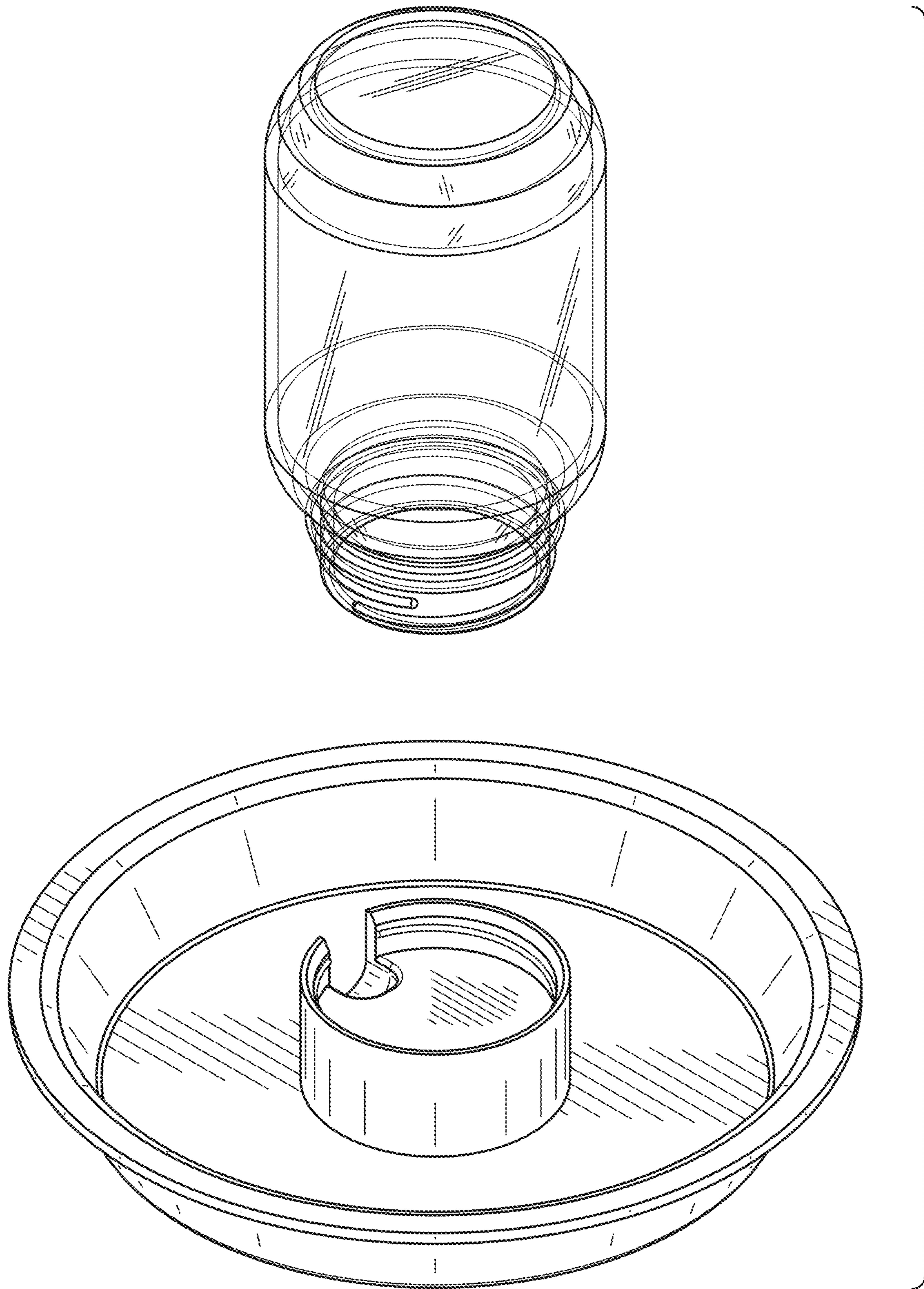


FIG. 3



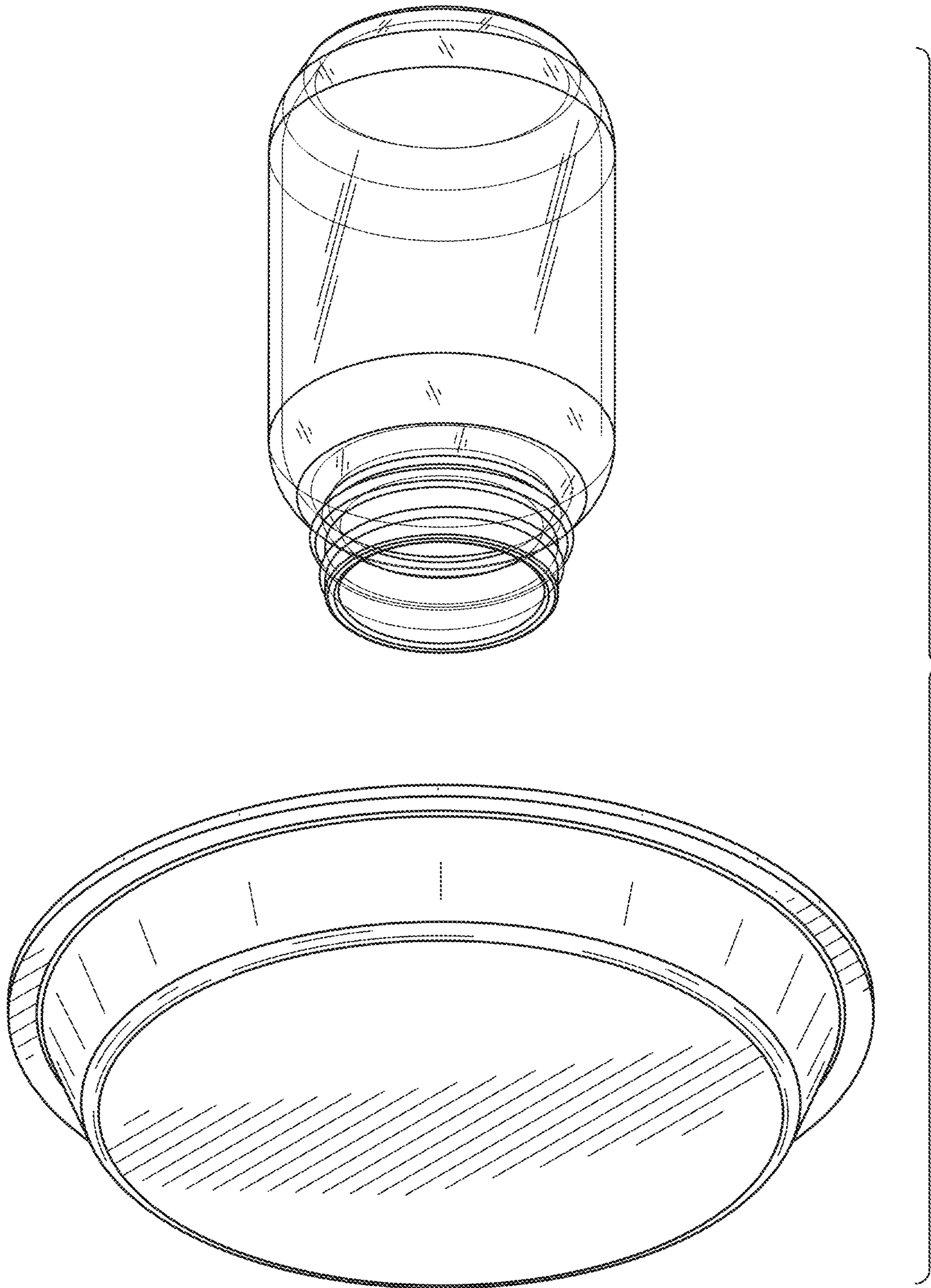


FIG. 4

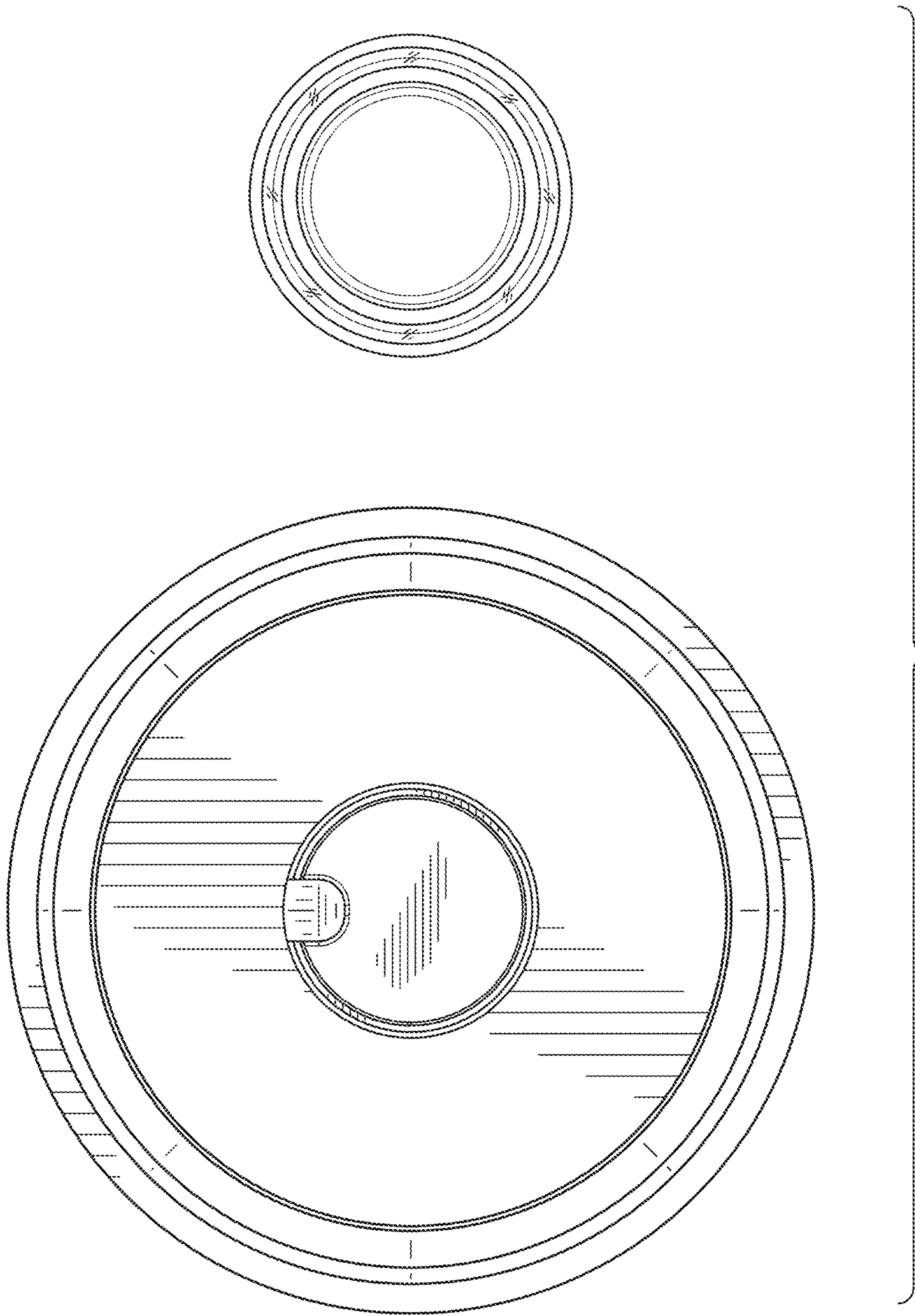


FIG. 5

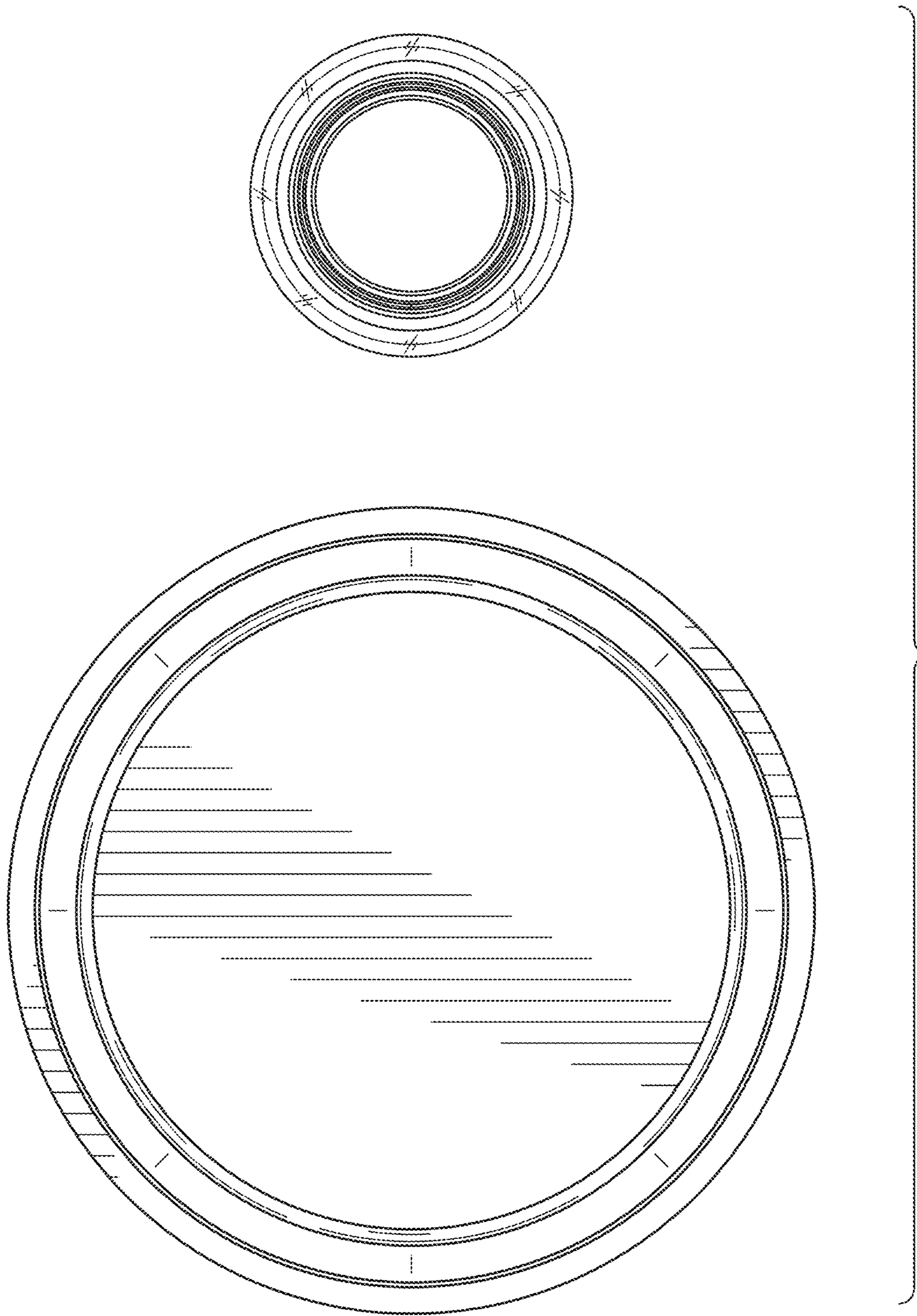


FIG. 6



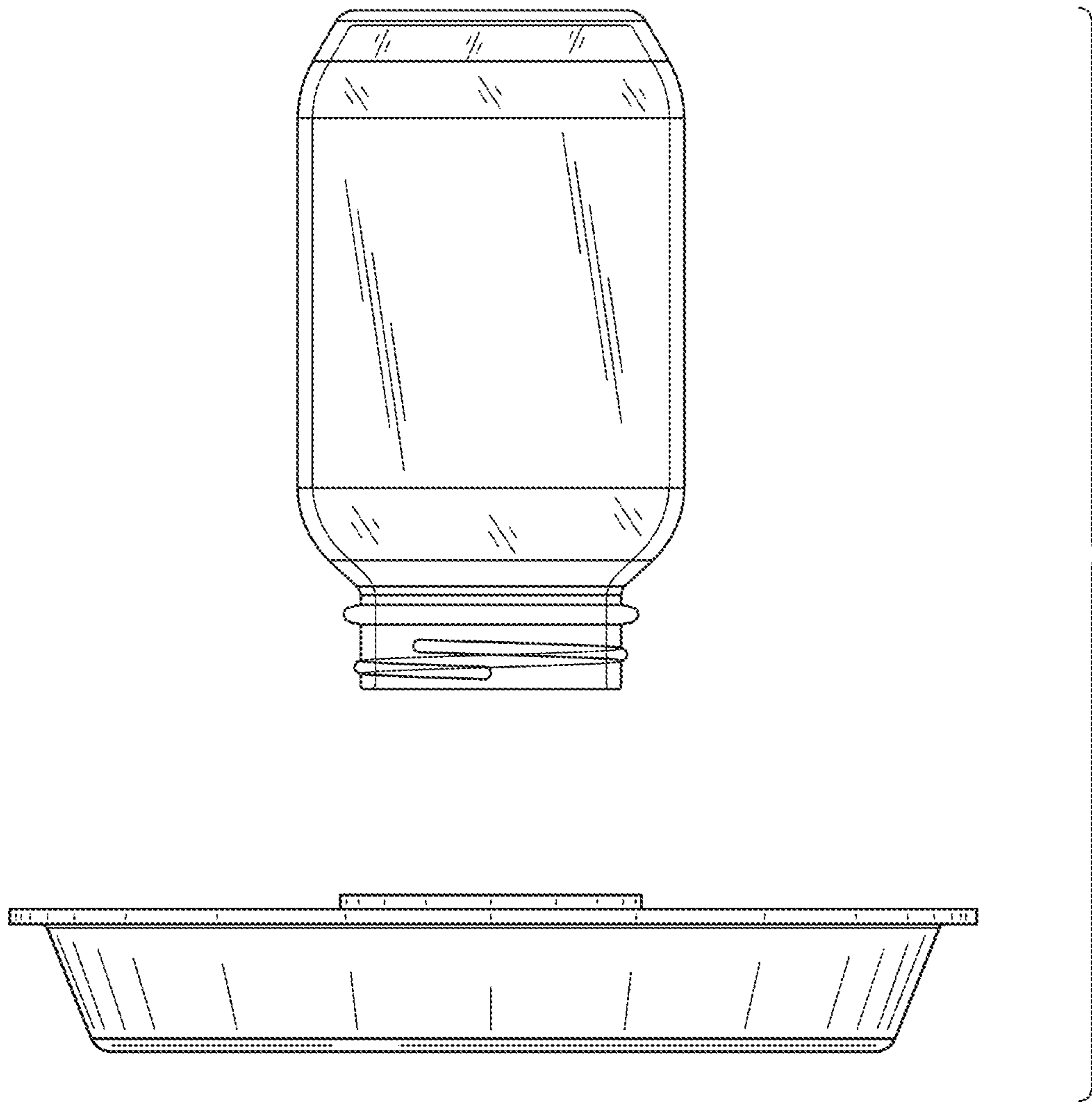


FIG. 7

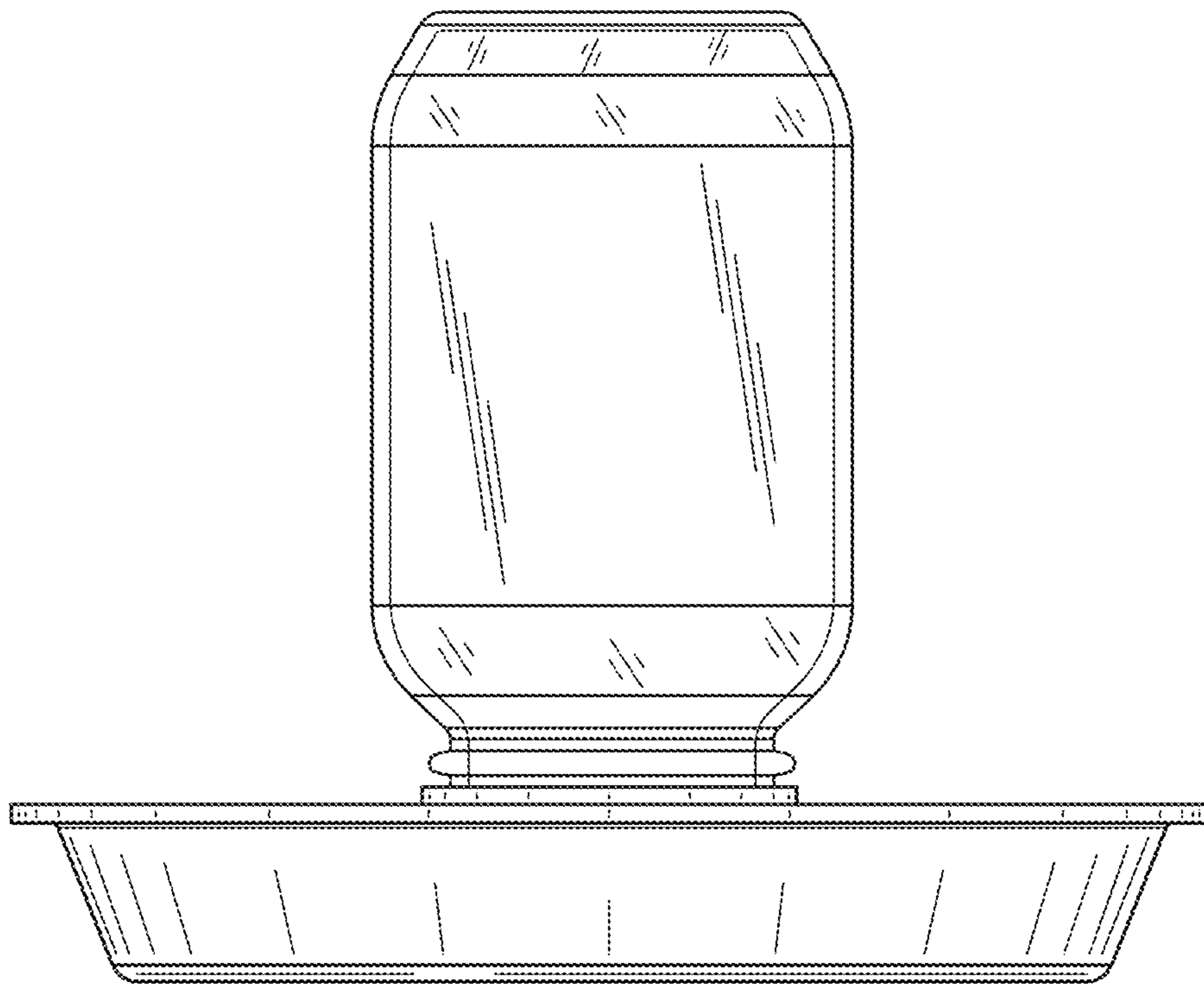


FIG. 8