



US00D814713S

(12) **United States Design Patent**
Kim

(10) **Patent No.:** **US D814,713 S**

(45) **Date of Patent:** **** Apr. 3, 2018**

- (54) **PET HOUSE**
- (71) Applicant: **PETROM CO., LTD.**, Incheon (KR)
- (72) Inventor: **Gyeong Jong Kim**, Seoul (KR)
- (73) Assignee: **PETROM CO., LTD.**, Incheon (KR)
- (**) Term: **15 Years**
- (21) Appl. No.: **29/584,159**
- (22) Filed: **Nov. 11, 2016**
- (30) **Foreign Application Priority Data**
 - May 11, 2016 (KR) 30-2016-0022097
- (51) **LOC (11) Cl.** **30-02**
- (52) **U.S. Cl.**
 - USPC **D30/108**
- (58) **Field of Classification Search**
 - USPC D30/108, 111-112, 114-115
 - CPC ... A01K 1/00; A01K 1/02; A01K 1/03; A01K 3/00; A01K 3/06; A01K 3/07; A01K 3/08; A01K 3/14; A01K 3/18; A01K 5/00; A01K 29/00

See application file for complete search history.

D461,024 S *	7/2002	Newdoll	D30/108
D468,872 S *	1/2003	Woehler	D30/108
D529,666 S *	10/2006	Simpson	D30/108
D555,292 S *	11/2007	Harper	D30/108
D566,343 S *	4/2008	Osada	D30/108
D575,907 S *	8/2008	Roderman	D30/108
D593,259 S *	5/2009	Vanderdussen	449/26
D611,202 S *	3/2010	Jakubowski	D30/108
D613,000 S *	3/2010	Ward	D30/108
D629,973 S *	12/2010	Morton	D30/108
D641,935 S *	7/2011	Sullivan	D30/108
D650,533 S *	12/2011	Reick	D30/108
D680,696 S *	4/2013	Hammel	D30/108
D685,139 S *	6/2013	Park	D30/108
D699,008 S *	2/2014	Wang	D30/108
D702,403 S *	4/2014	Snow	D30/108
D704,901 S *	5/2014	Diskin	D30/108
D705,995 S *	5/2014	Veness	D30/108
D706,492 S *	6/2014	Bratton	D30/112
D715,006 S *	10/2014	Pomerantz	D30/112

(Continued)

Primary Examiner — Robin V Webster
Assistant Examiner — James Thorn, Sr.
 (74) *Attorney, Agent, or Firm* — Novick, Kim & Lee, PLLC; Sang Ho Lee

(57) **CLAIM**

I claim the ornamental design for a pet house, as shown and described.

(56) **References Cited**

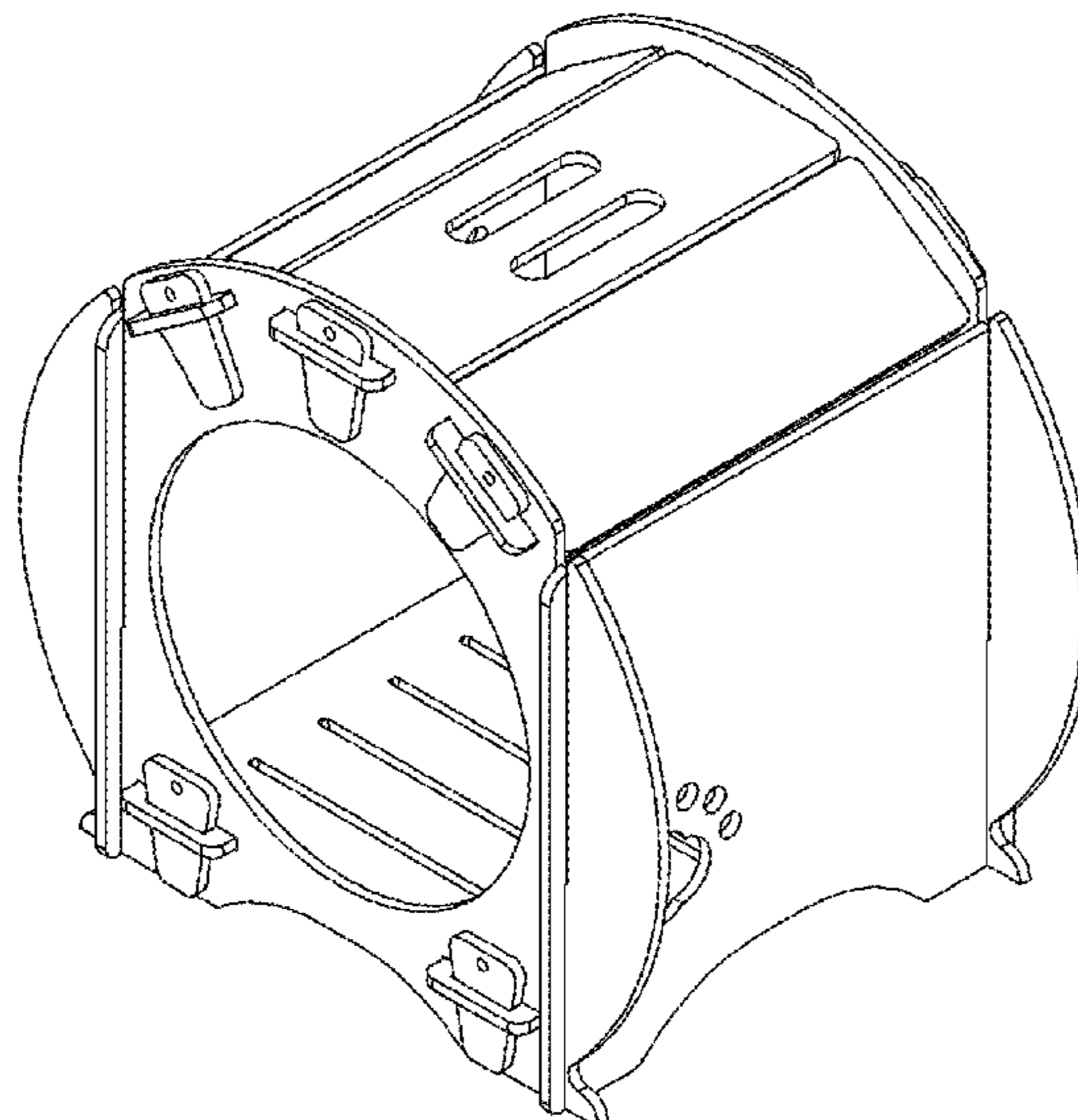
U.S. PATENT DOCUMENTS

3,885,523 A *	5/1975	Coleman	A01K 1/0107
				119/165
D255,946 S *	7/1980	Galbreath	D30/108
D320,479 S *	10/1991	Cheval	D25/1
D335,727 S *	5/1993	Kahl	D30/108
D353,030 S *	11/1994	Fernandez	D30/108
D356,253 S *	3/1995	Bacchetti	D30/108
D360,491 S *	7/1995	Campbell	D30/108
D367,732 S *	3/1996	Murphy	D30/108
5,524,573 A *	6/1996	Hart	A01K 1/0245
				119/489

DESCRIPTION

FIG. 1 is a front perspective view of a pet house, showing my new design;
 FIG. 2 is a front elevational view thereof;
 FIG. 3 is a rear elevational view thereof;
 FIG. 4 is a left side elevational view thereof;
 FIG. 5 is a right side elevational view thereof;
 FIG. 6 is a top plan view thereof;
 FIG. 7 is a bottom plan view thereof; and,
 FIG. 8 is a rear perspective view thereof.

1 Claim, 8 Drawing Sheets



(56)

References Cited

U.S. PATENT DOCUMENTS

D723,225	S *	2/2015	Lee	D30/108
D735,952	S *	8/2015	Otto	D30/108
D752,297	S *	3/2016	Tominaga	D30/108
D762,332	S *	7/2016	Chance	D30/108
2002/0020361	A1 *	2/2002	Granda	A01K 31/06
					119/459
2012/0152178	A1 *	6/2012	McLean	A01K 31/08
					119/431
2012/0192800	A1 *	8/2012	Zanotti	A01K 31/002
					119/489
2014/0230746	A1 *	8/2014	Chapman	A01K 1/0254
					119/453
2016/0227731	A1 *	8/2016	Cheng	A01K 1/0245

* cited by examiner

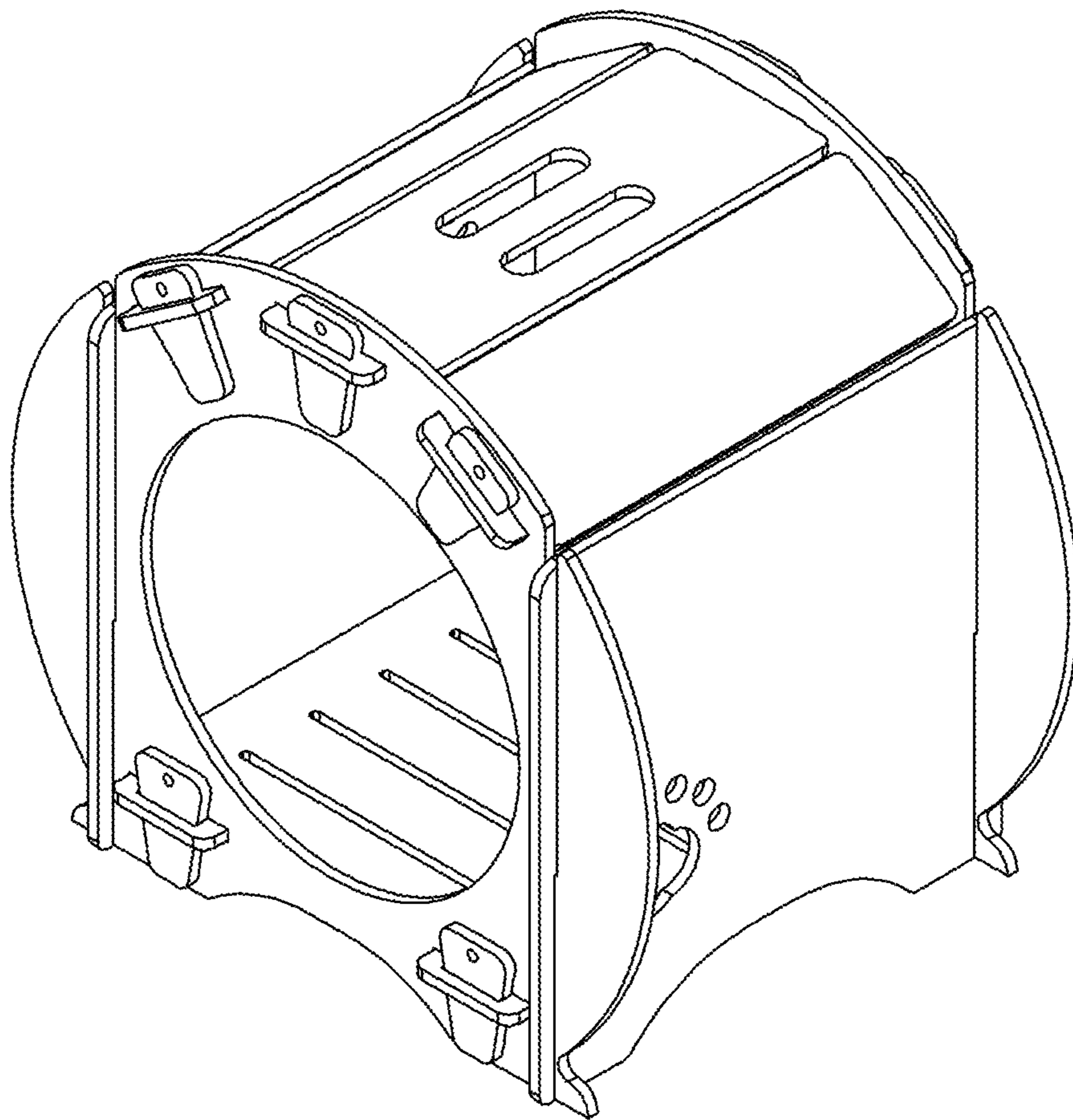


FIG. 1

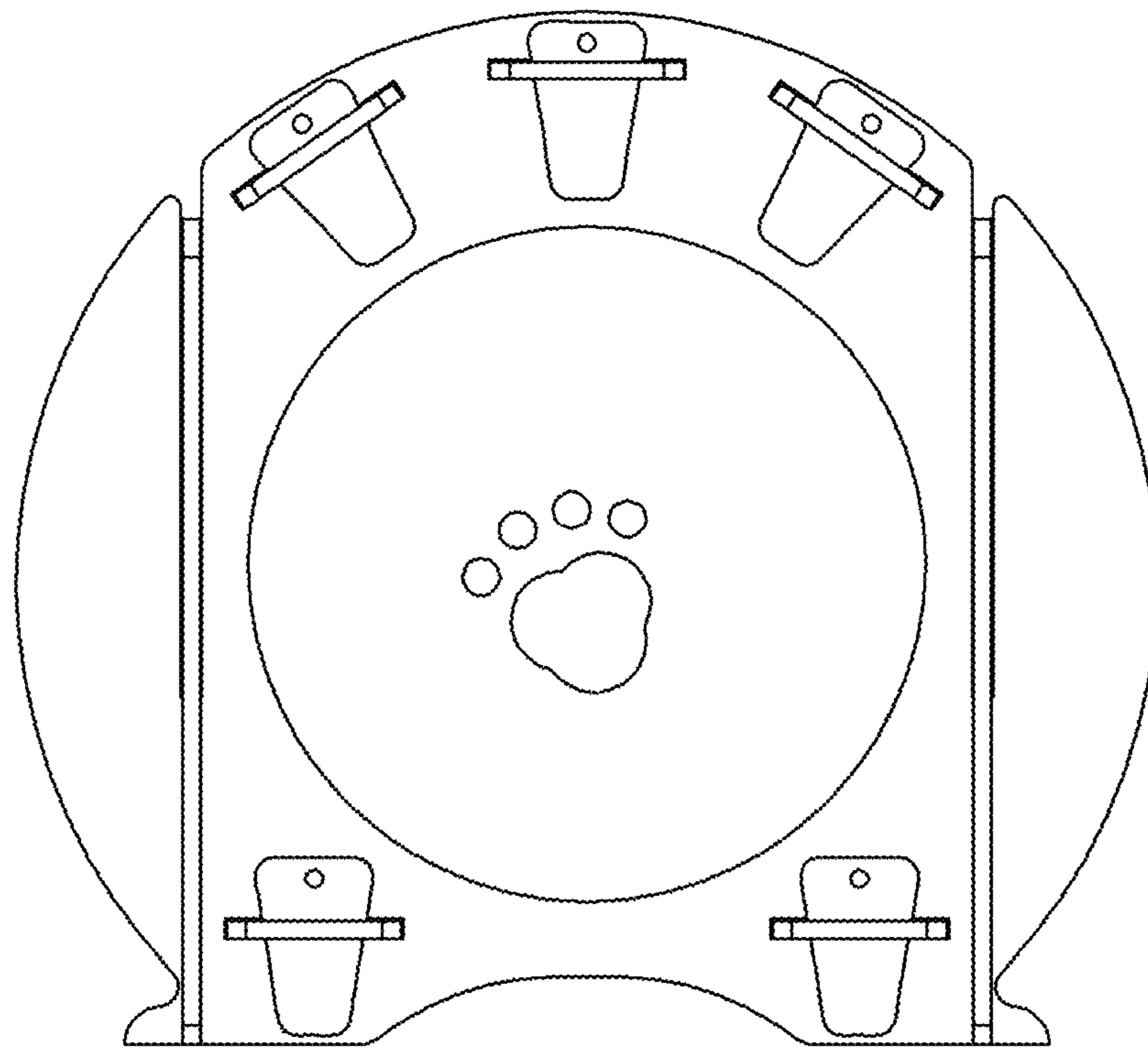


FIG. 2

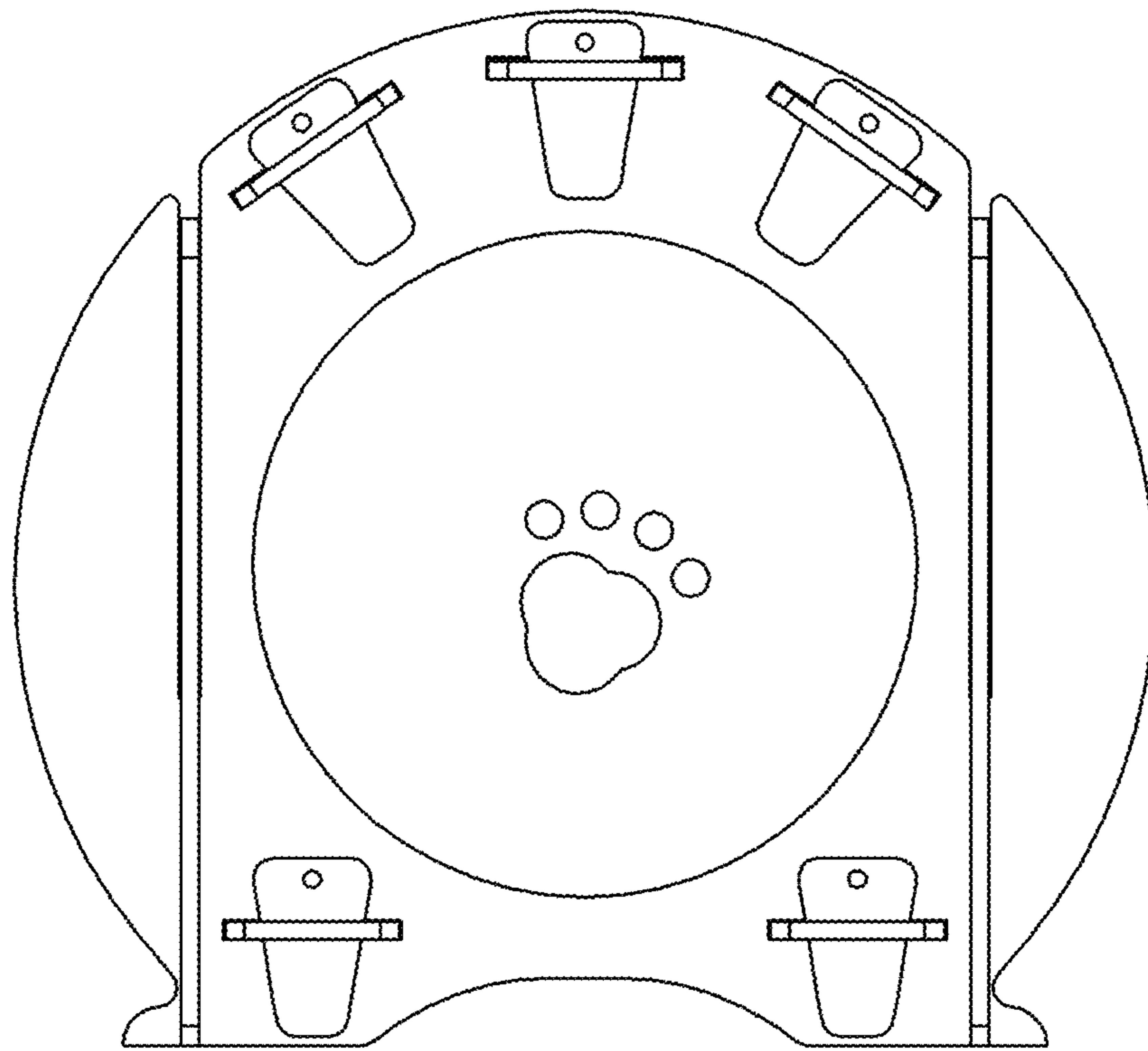


FIG. 3

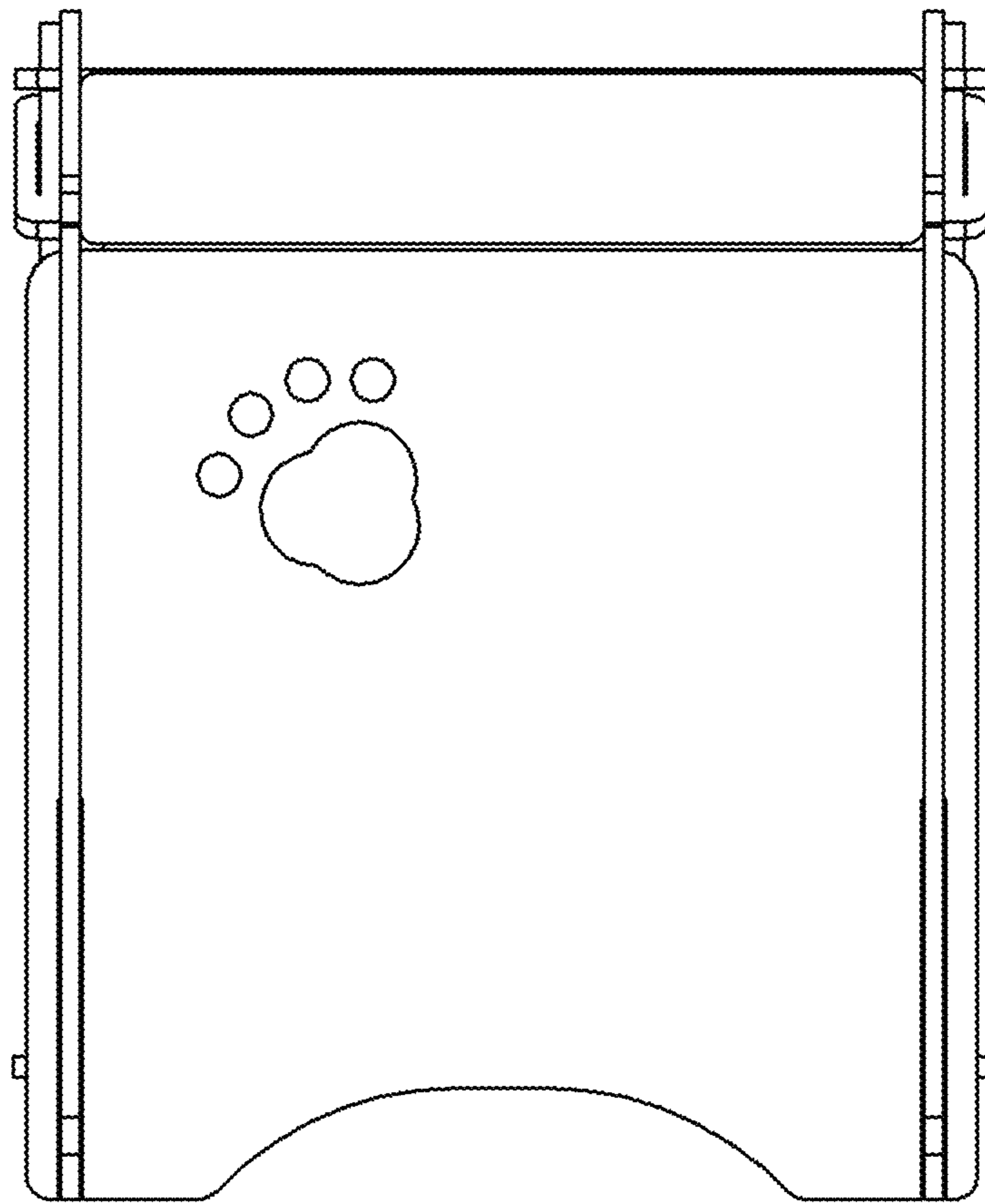


FIG. 4

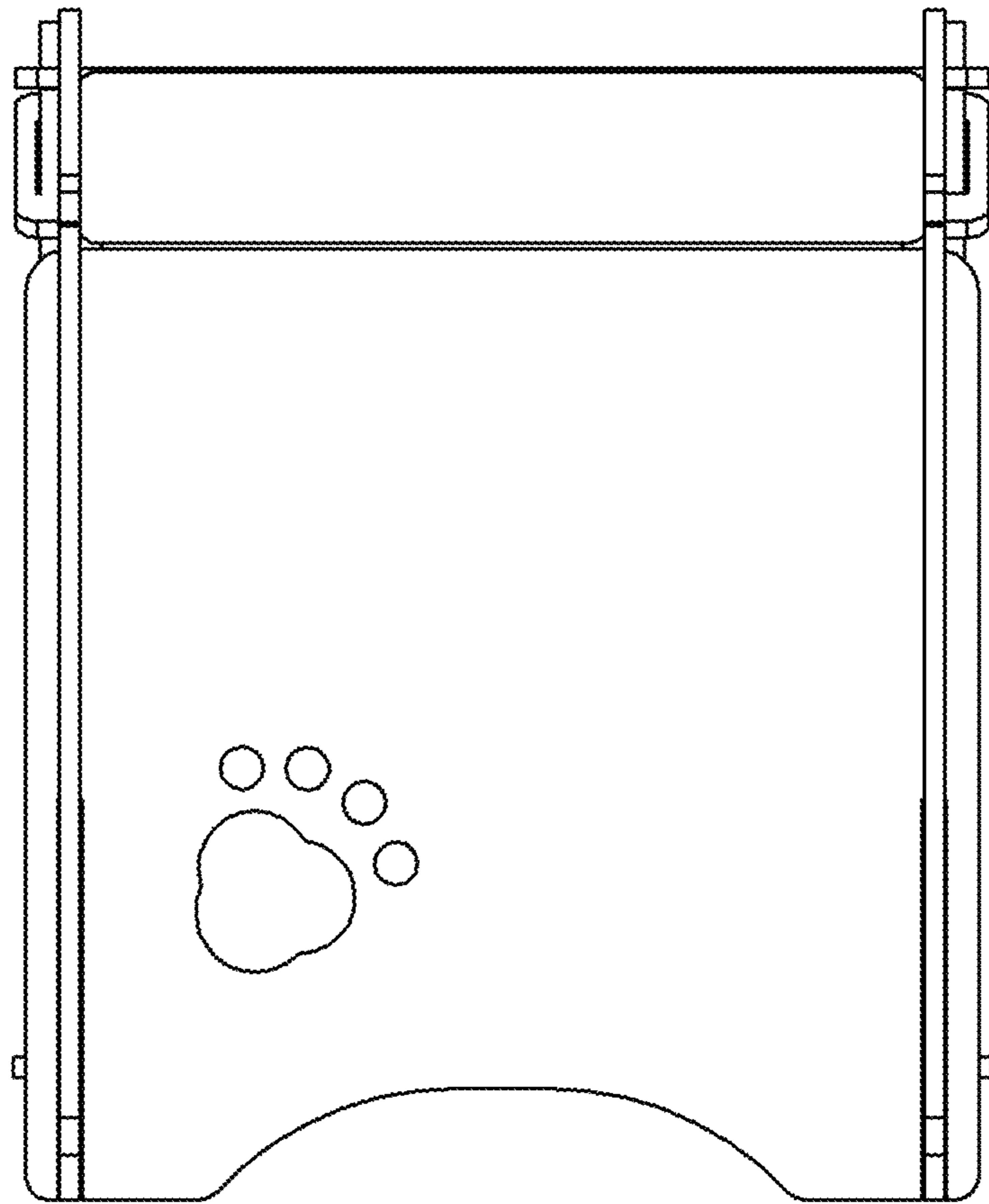


FIG. 5

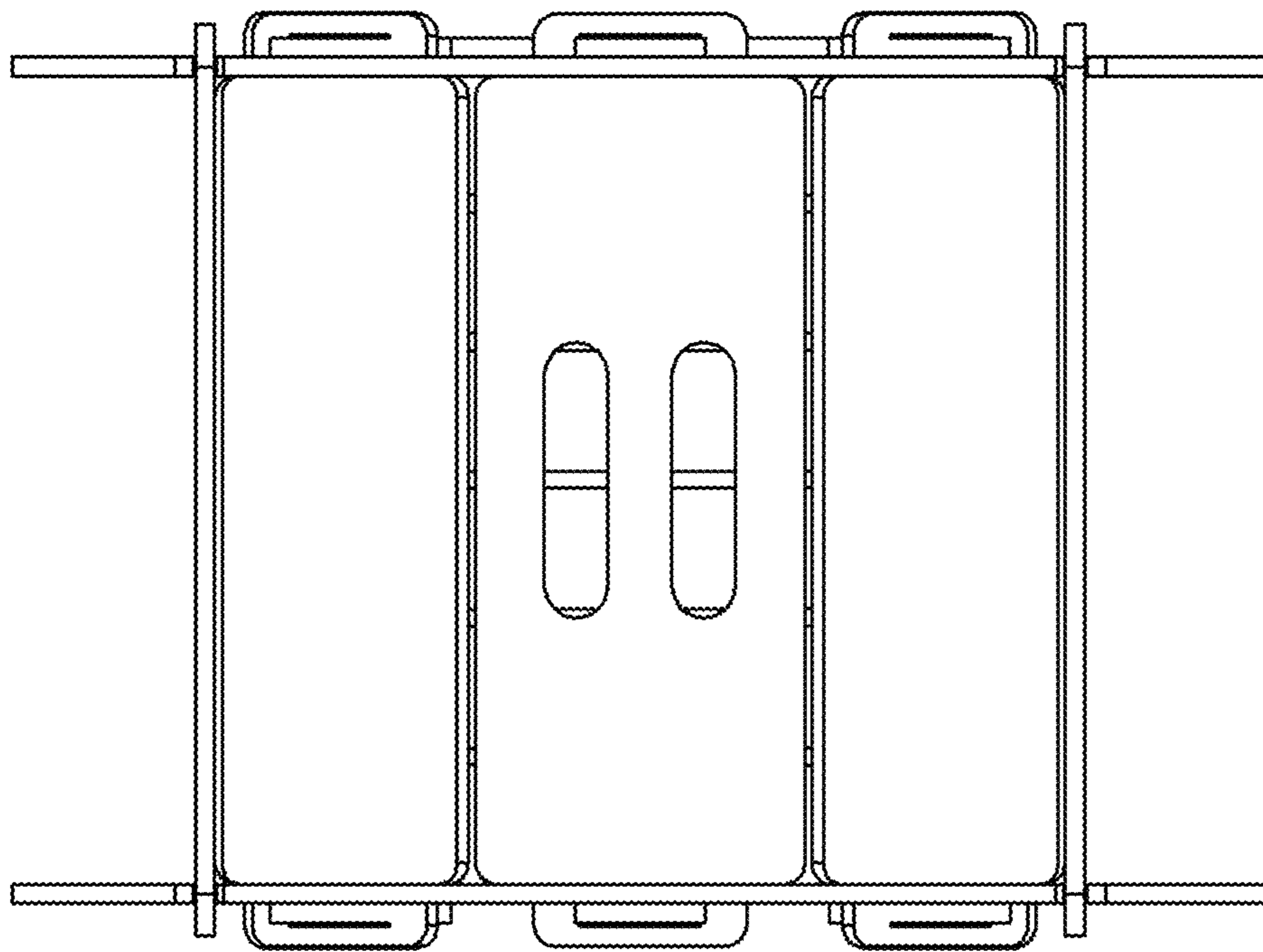


FIG. 6

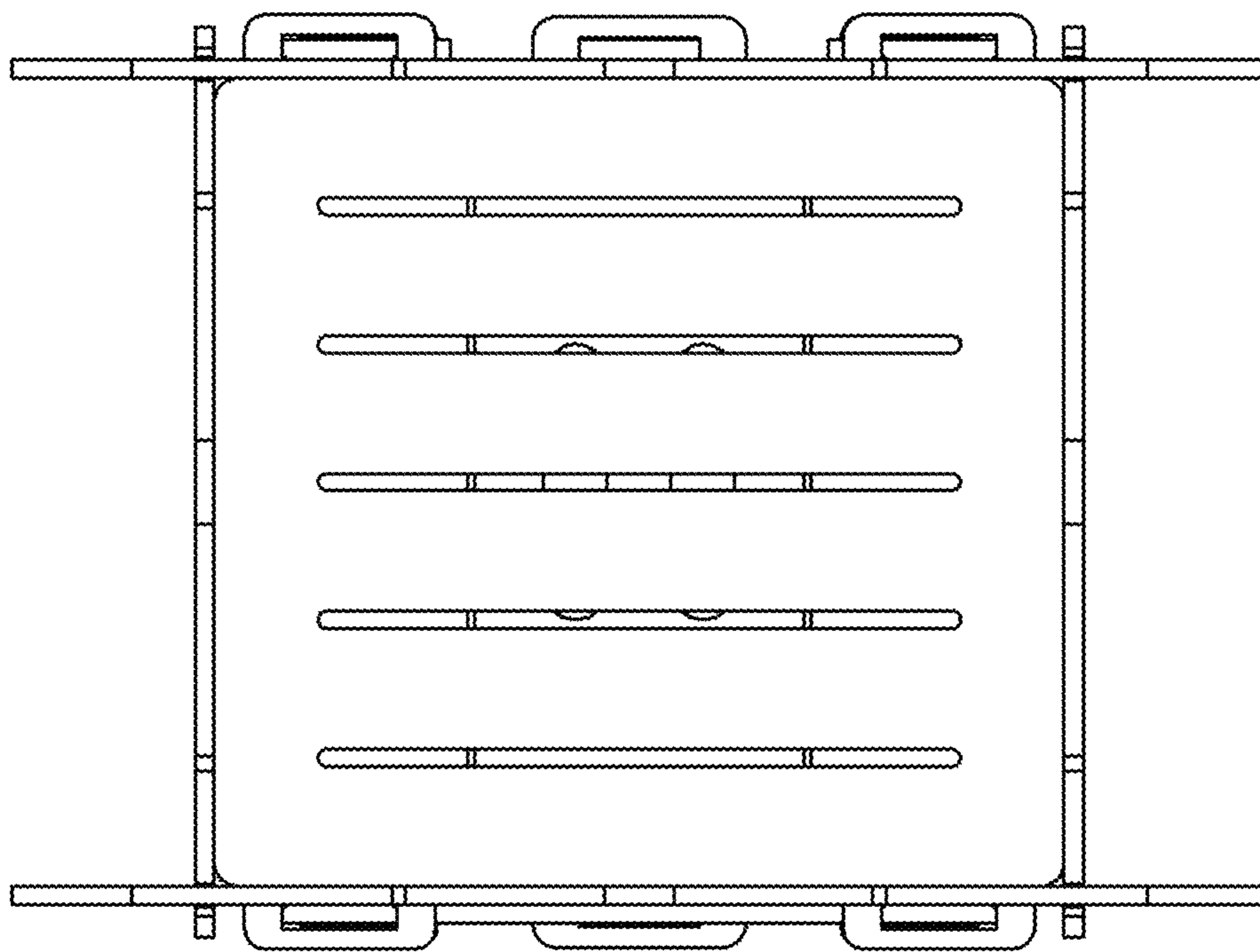


FIG. 7

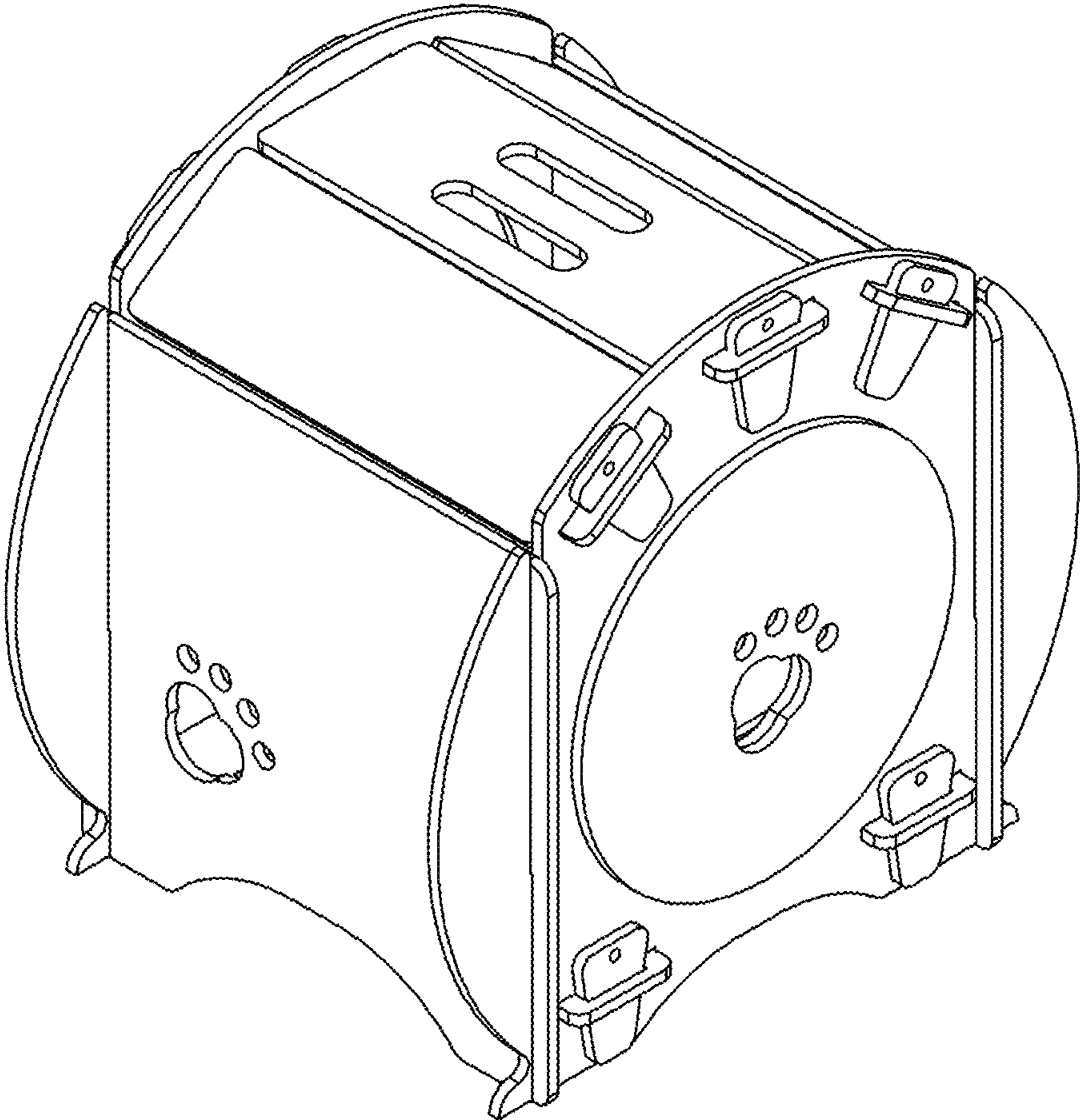


FIG. 8