



US00D814712S

(12) **United States Design Patent**
Watson et al.

(10) **Patent No.:** **US D814,712 S**

(45) **Date of Patent:** **** Apr. 3, 2018**

(54) **ARCUATE AQUARIUM**

(71) Applicant: **PetSmart Home Office, Inc.**, Phoenix, AZ (US)

(72) Inventors: **Jeffrey Stocker Watson**, Phoenix, AZ (US); **Mario Alexander Esquer**, Scottsdale, AZ (US)

(73) Assignee: **PetSmart Home Office, Inc.**, Phoenix, AZ (US)

(**) Term: **15 Years**

(21) Appl. No.: **29/592,599**

(22) Filed: **Jan. 31, 2017**

(51) **LOC (11) Cl.** **30-02**

(52) **U.S. Cl.**

USPC **D30/105**

(58) **Field of Classification Search**

USPC D30/101–107; 119/245–248, 249–251, 119/253, 266–267, 269; D11/145

CPC A01K 63/003; A01K 63/006; A01K 63/06
See application file for complete search history.

(56) **References Cited**

U.S. PATENT DOCUMENTS

D238,884 S * 2/1976 Robert D30/105
5,000,118 A * 3/1991 Merritt A01K 63/003
119/246

D490,940 S * 6/2004 Wang D30/105
7,243,613 B2 * 7/2007 Holms A01K 63/003
119/248

D548,406 S * 8/2007 Mihlbauer D30/101
D792,656 S * 7/2017 Xie D30/101

* cited by examiner

Primary Examiner — Wan Laymon

(74) *Attorney, Agent, or Firm* — Duane Morris LLP

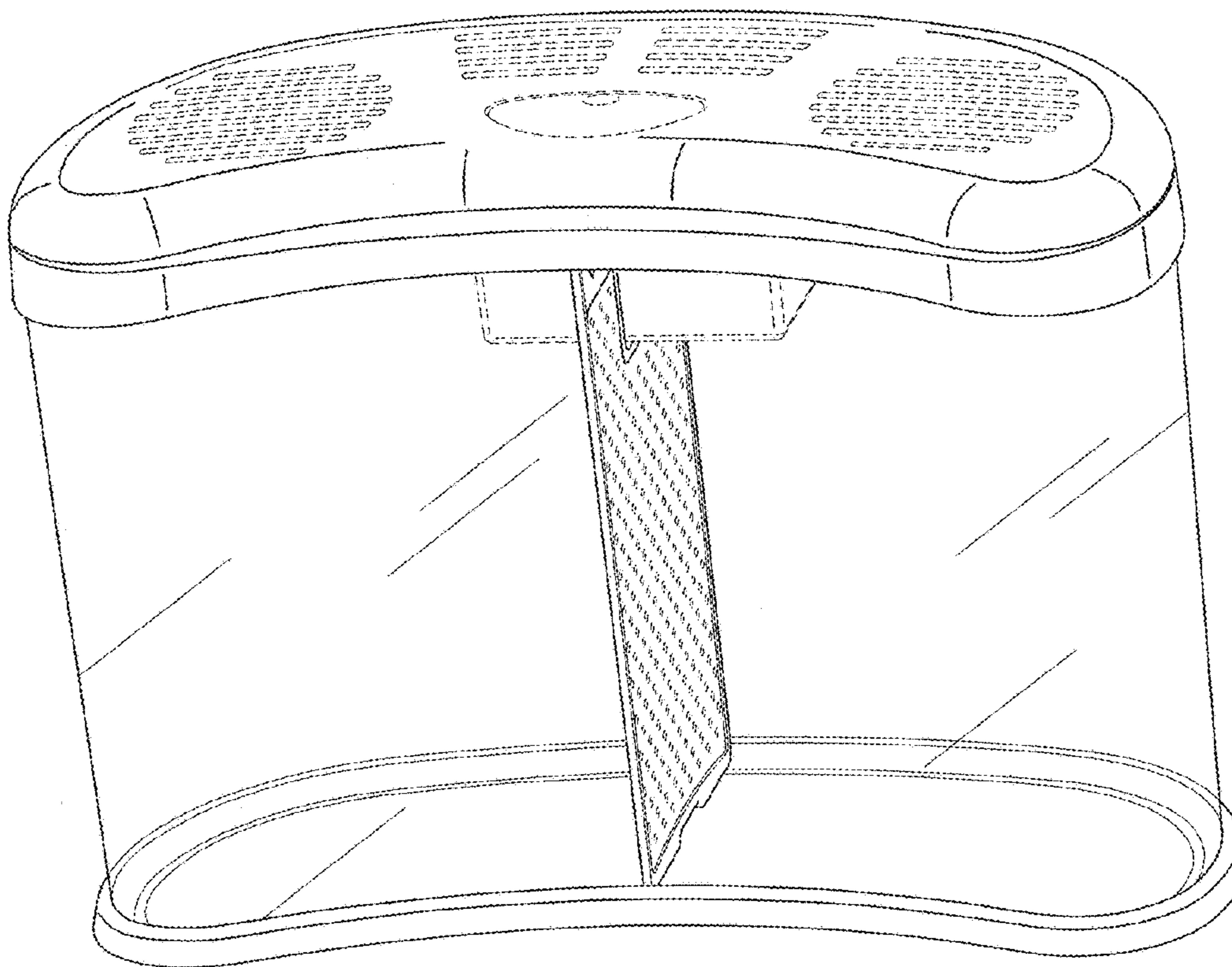
(57) **CLAIM**

We claim the ornamental design for an arcuate aquarium, as shown and described.

DESCRIPTION

FIG. 1 is a perspective view of the arcuate aquarium. FIG. 2 is a front view of the arcuate aquarium. FIG. 3 is a rear view of the arcuate aquarium. FIG. 4 is a right side view of the arcuate aquarium. FIG. 5 is a left side view of the arcuate aquarium. FIG. 6 is a top view of the arcuate aquarium; and, FIG. 7 is a bottom view of the arcuate aquarium. The broken lines in the drawings define boundary lines and form no part of the claimed design.

1 Claim, 7 Drawing Sheets



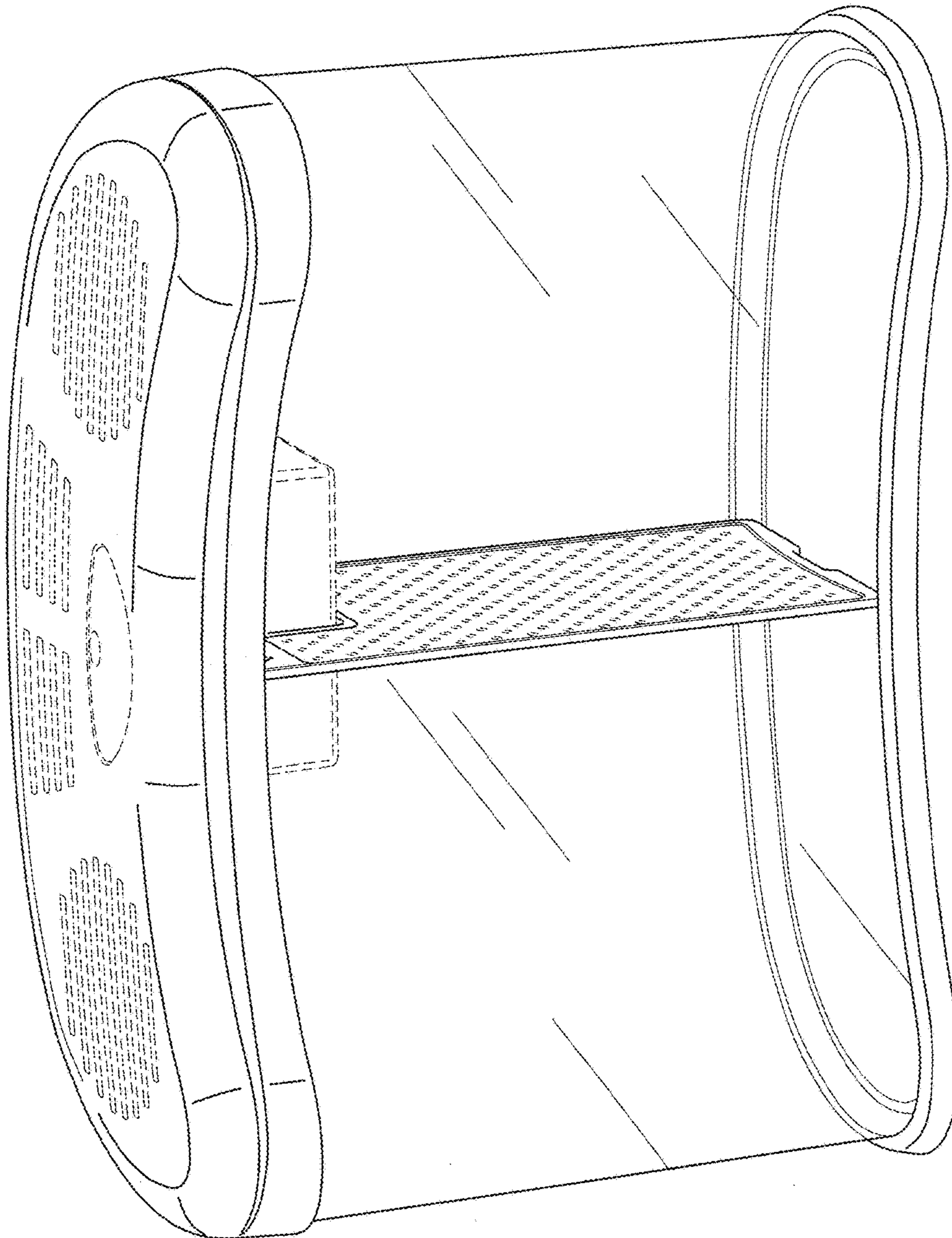


FIG. 1

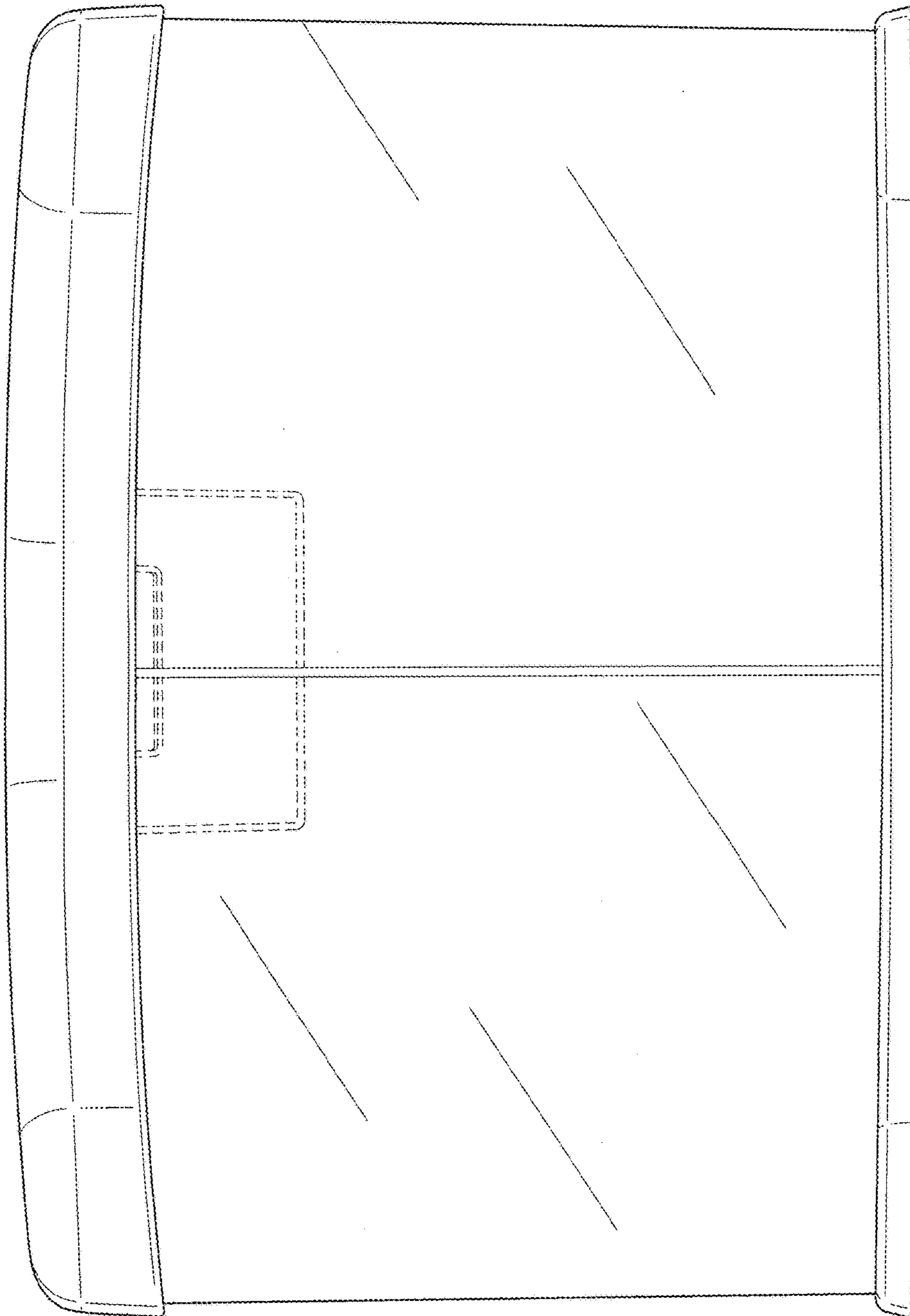


FIG. 2

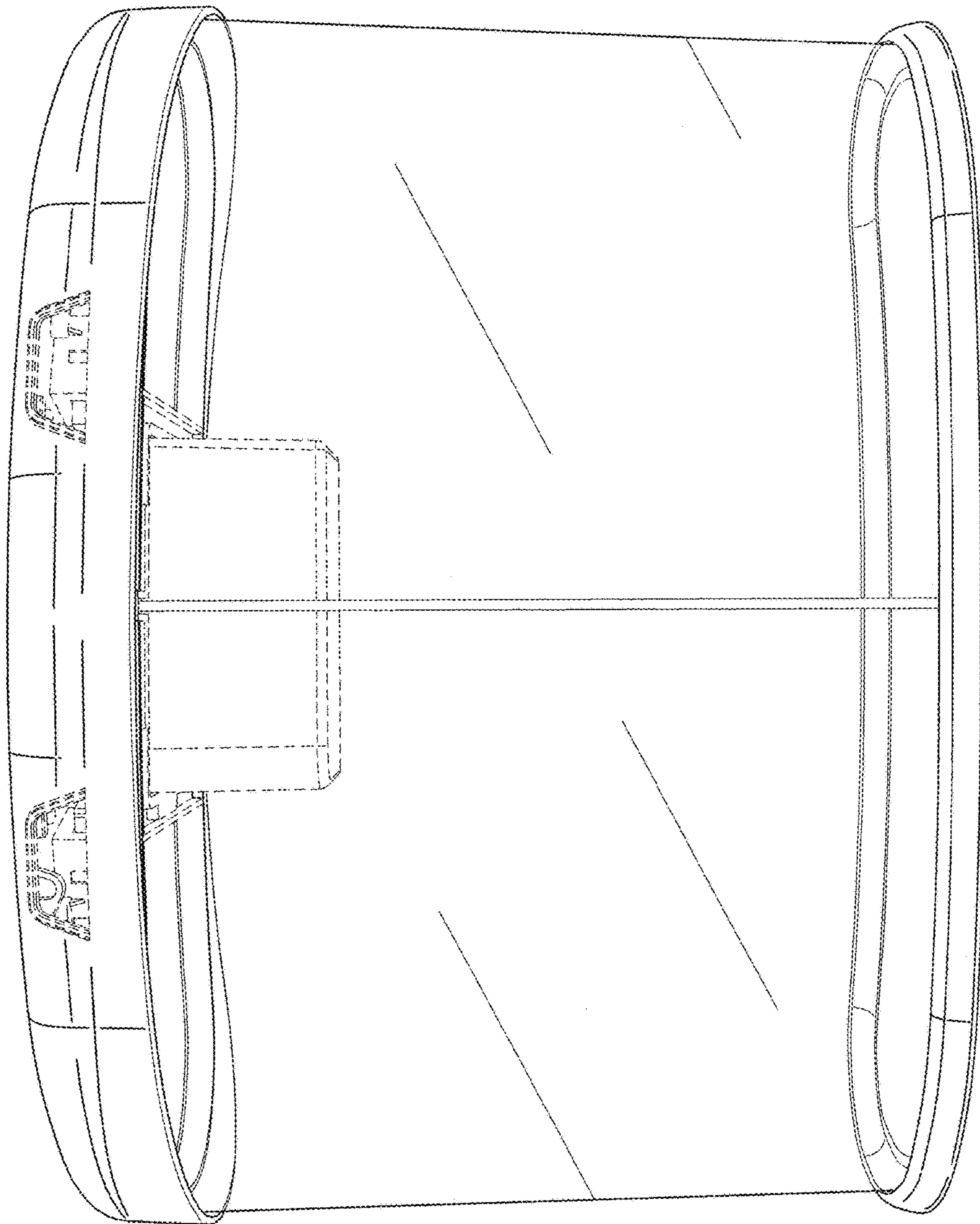


FIG. 3

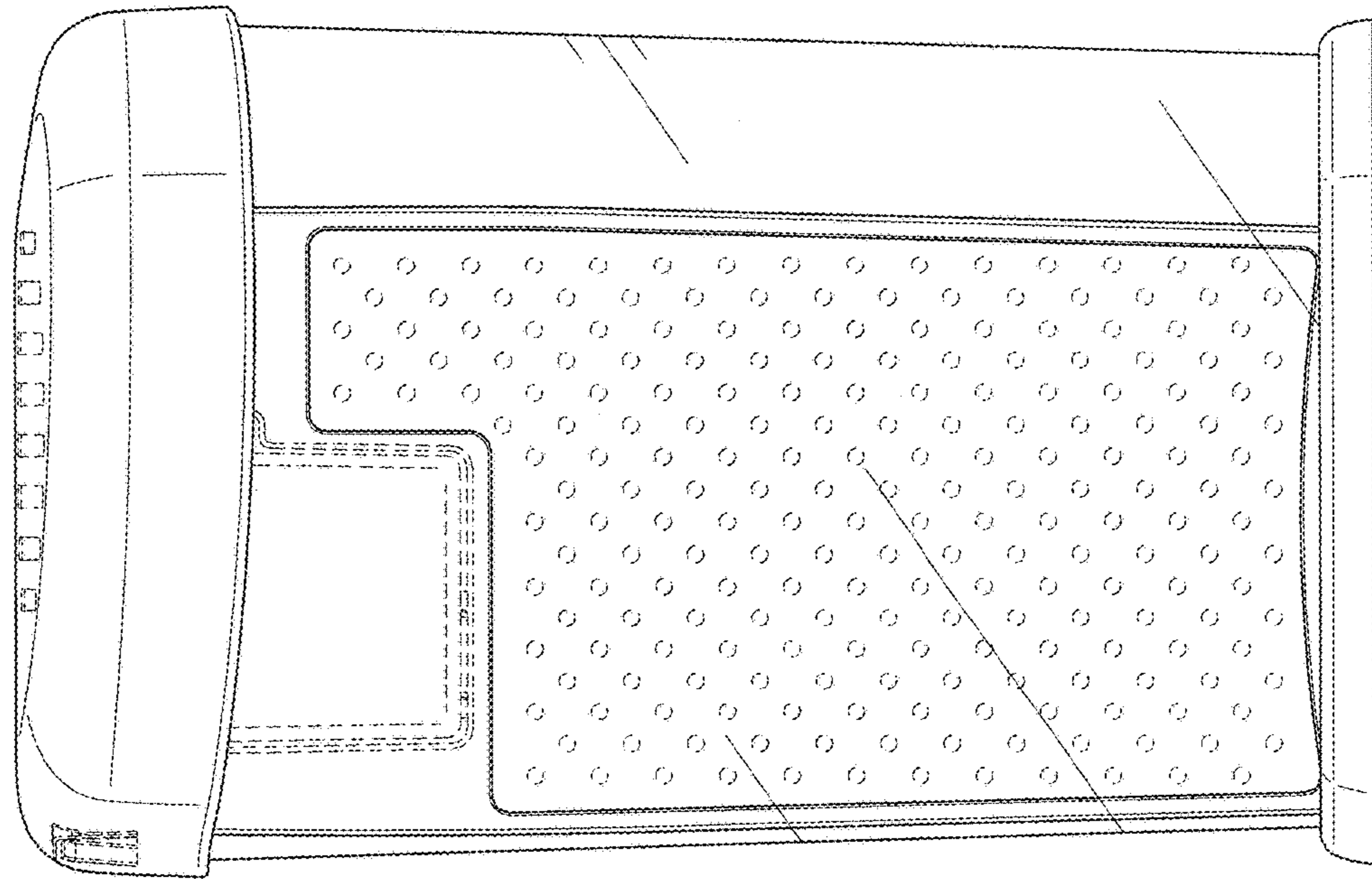


FIG. 4

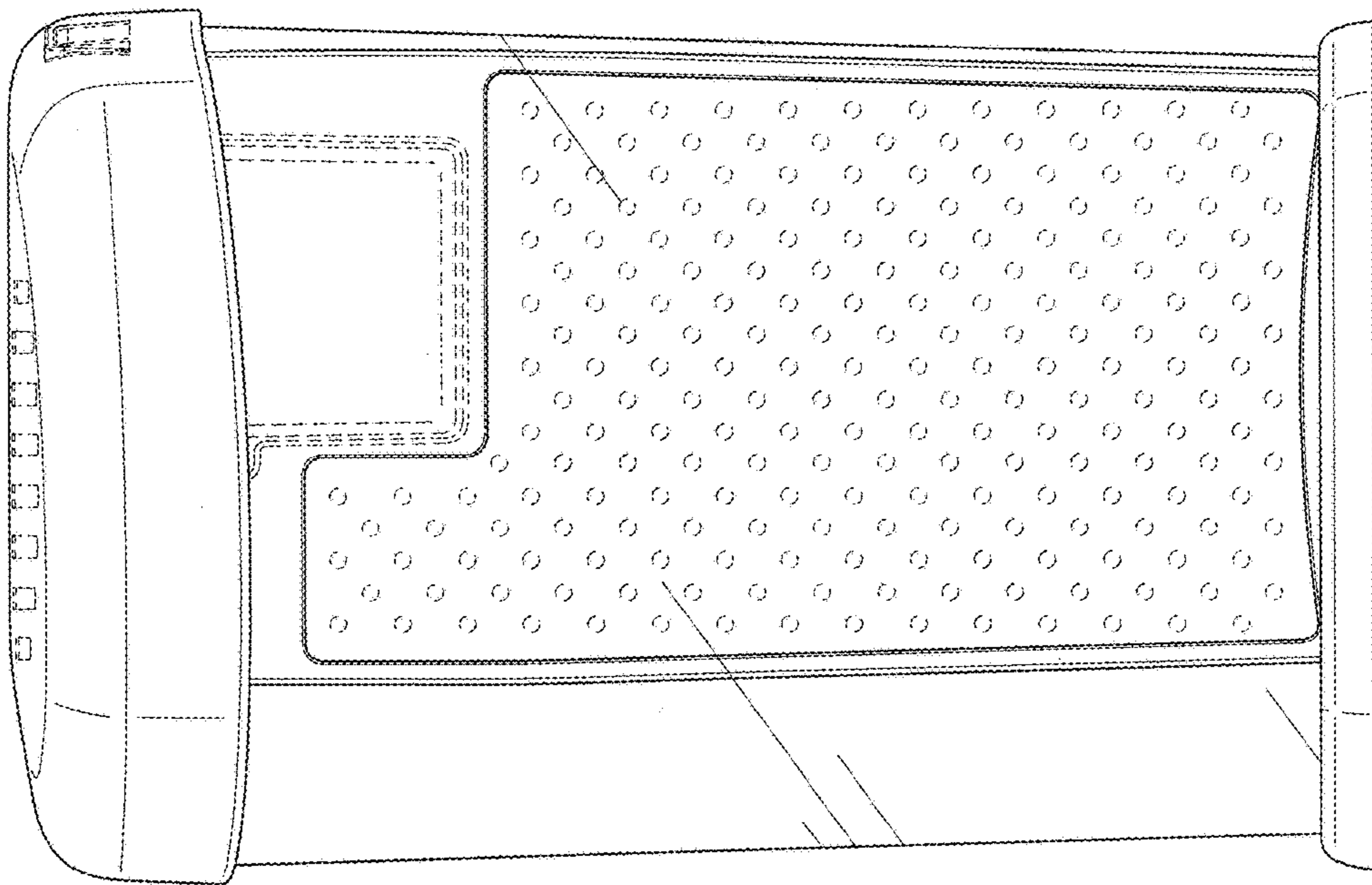


FIG. 5

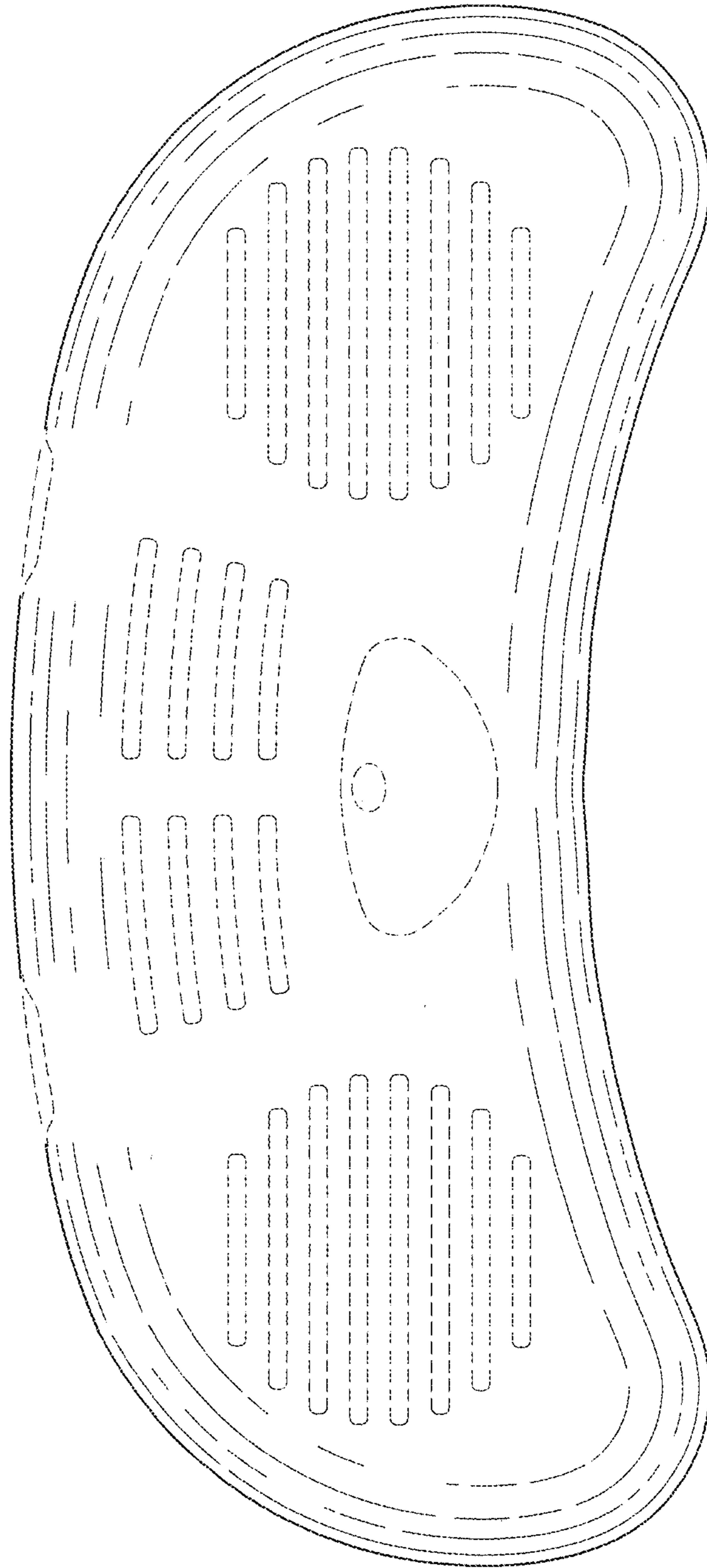


FIG. 6

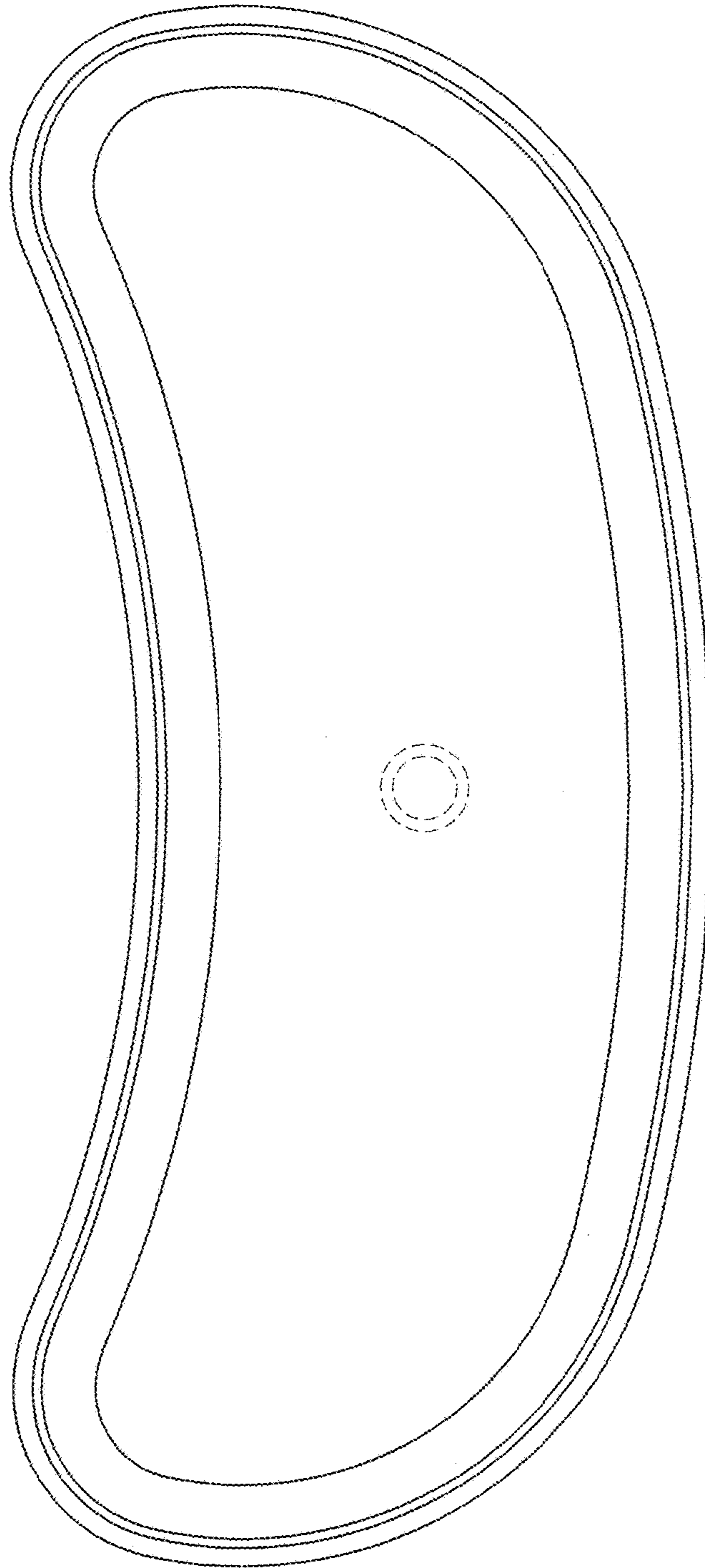


FIG. 7