



US00D814709S

(12) **United States Design Patent**  
**Watson et al.**

(10) **Patent No.:** **US D814,709 S**  
(45) **Date of Patent:** **\*\* Apr. 3, 2018**

- (54) **ELONGATED AQUARIUM**
- (71) Applicant: **PetSmart Home Office, Inc.**, Phoenix, AZ (US)
- (72) Inventors: **Jeffrey Stocker Watson**, Phoenix, AZ (US); **Lisa Mae Beilke**, Peoria, AZ (US); **Tyler Joseph Lippert**, Phoenix, AZ (US)
- (73) Assignee: **PetSmart Home Office, Inc.**, Phoenix, AZ (US)
- (\*\*) Term: **15 Years**
- (21) Appl. No.: **29/592,588**
- (22) Filed: **Jan. 31, 2017**
- (51) **LOC (11) Cl.** ..... **30-02**
- (52) **U.S. Cl.**  
USPC ..... **D30/101**
- (58) **Field of Classification Search**  
USPC ..... D30/101-107; 119/245-248, 249-251, 119/253, 266-267, 269; D26/1-4, 51; D7/608, 612, 703; D11/145  
CPC .... A01K 63/003; A01K 63/006; A01K 63/06; F21V 21/0808; F21V 21/088; F21S 4/28  
See application file for complete search history.

- 8,057,060 B2 \* 11/2011 Fredricks ..... A01K 63/06 362/101
- D693,519 S \* 11/2013 Xu ..... D26/51
- 8,727,554 B2 \* 5/2014 Blake ..... A01K 63/06 362/101
- D723,745 S 3/2015 Xu
- 9,642,343 B2 \* 5/2017 Lutz ..... A01K 63/003
- D789,619 S \* 6/2017 Xie ..... D30/104
- D795,505 S \* 8/2017 Yang ..... D30/101
- D795,507 S \* 8/2017 Feng ..... D30/101

**OTHER PUBLICATIONS**

“Top Fin® Fish Upon a Star Aquarium Kit.” PetSmart Inc. Copyright © 2017. Retrieved on Nov. 13, 2017. Retrieved from the Internet: URL:www.petsmart.com/fish/tanks-aquariums-and-nets/aquariums/top-fin-fish-upon-a- . . . \*

\* cited by examiner

*Primary Examiner* — Wan Laymon

(74) *Attorney, Agent, or Firm* — Duane Morris LLP

(57) **CLAIM**

We claim the ornamental design for an elongated aquarium, as shown and described.

**DESCRIPTION**

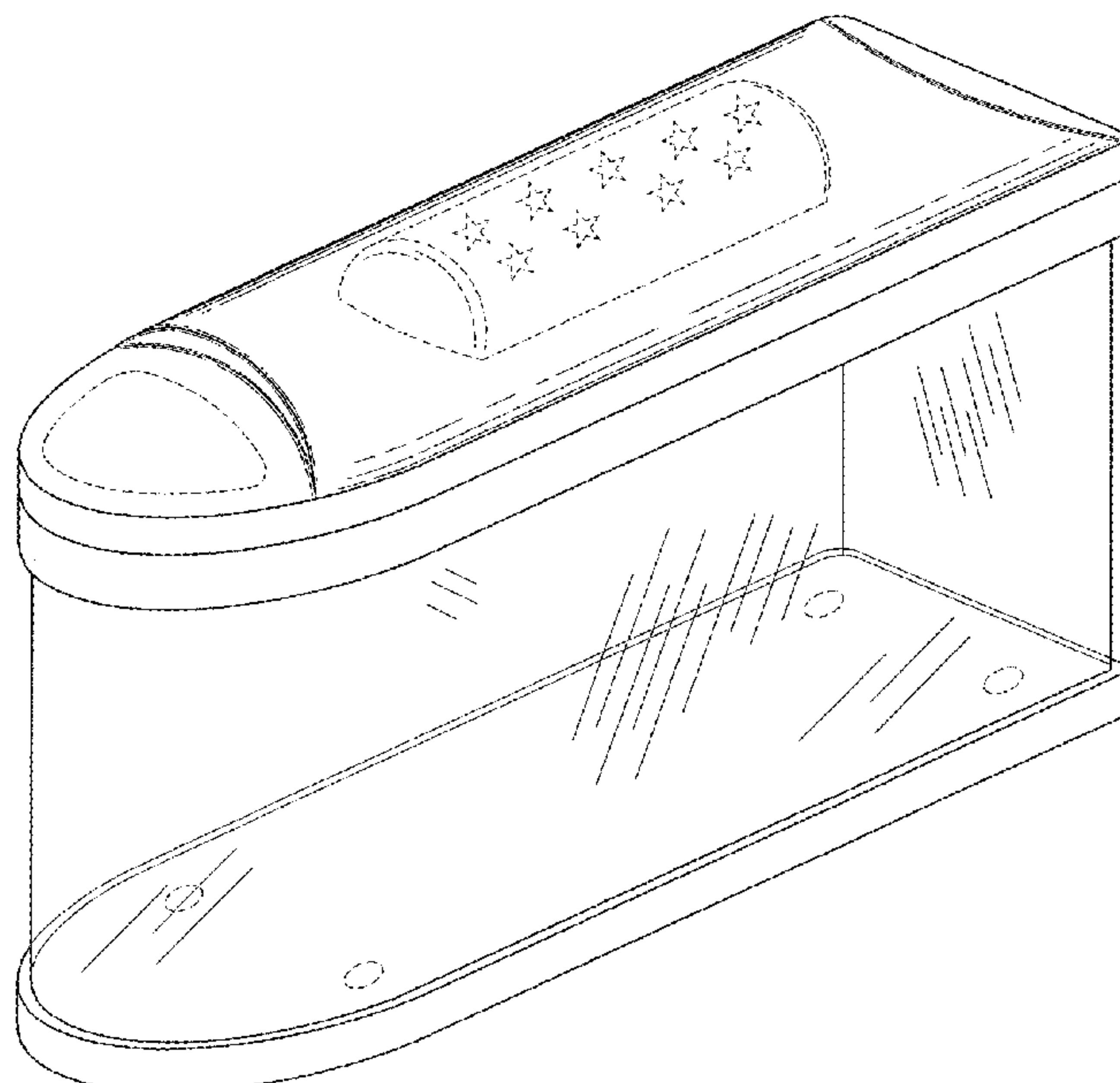
FIG. 1 is a perspective view of the elongated aquarium. FIG. 2 is a front view of the elongated aquarium. FIG. 3 is a rear view of the elongated aquarium. FIG. 4 is a right side view of the elongated aquarium. FIG. 5 is a left side view of the elongated aquarium. FIG. 6 is a top view of the elongated aquarium; and, FIG. 7 is a bottom view of the elongated aquarium. The broken lines in the drawings define boundary lines and form no part of the claimed design.

**1 Claim, 7 Drawing Sheets**

(56) **References Cited**

**U.S. PATENT DOCUMENTS**

- 5,078,093 A \* 1/1992 Flaherty ..... A01K 63/006 119/256
- D397,521 S \* 8/1998 Gomi ..... D30/101
- D448,124 S 9/2001 Wang
- 7,473,008 B2 \* 1/2009 Crabb ..... A01K 63/06 362/101
- D596,808 S 7/2009 Belter



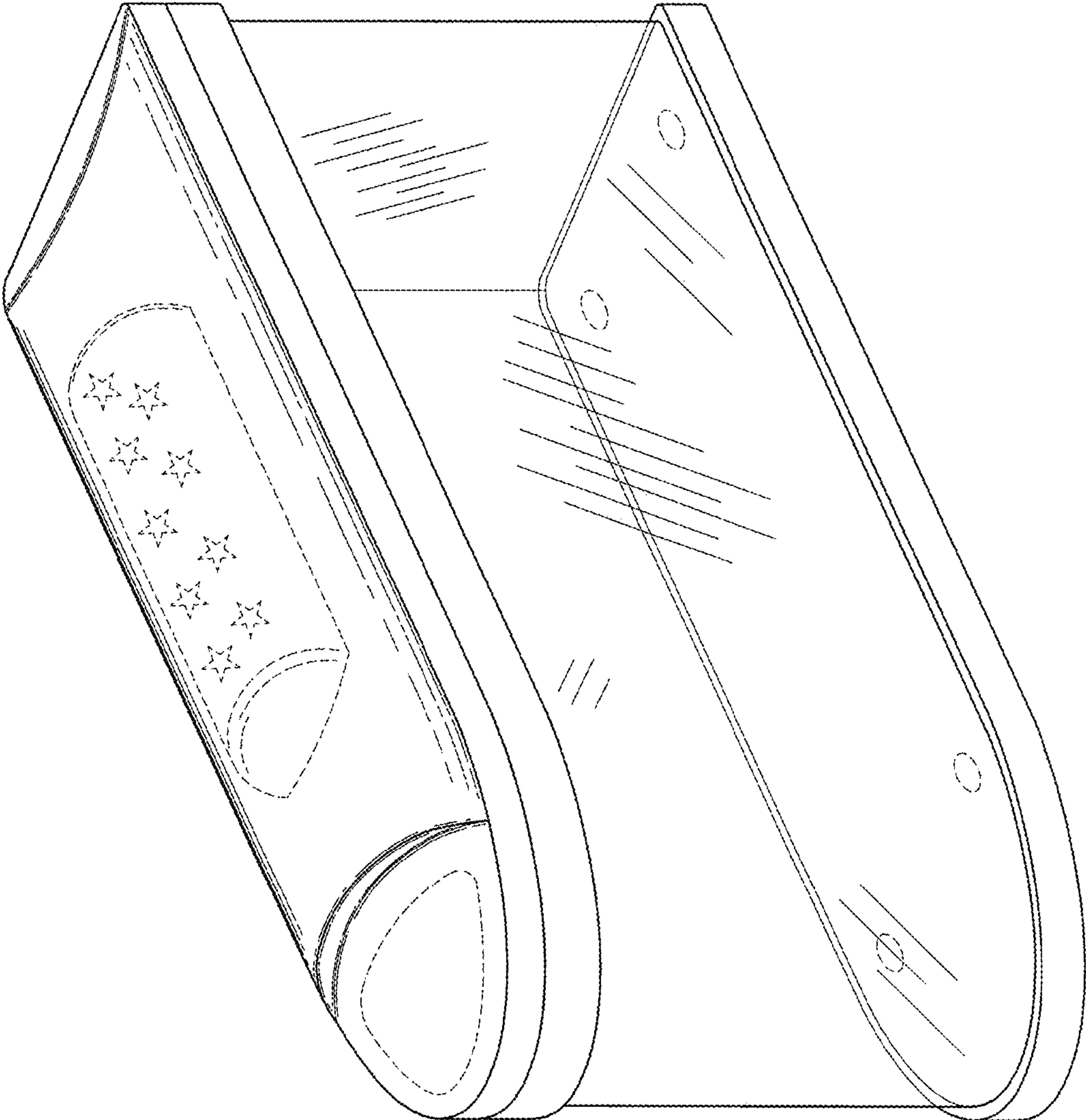


FIG. 1

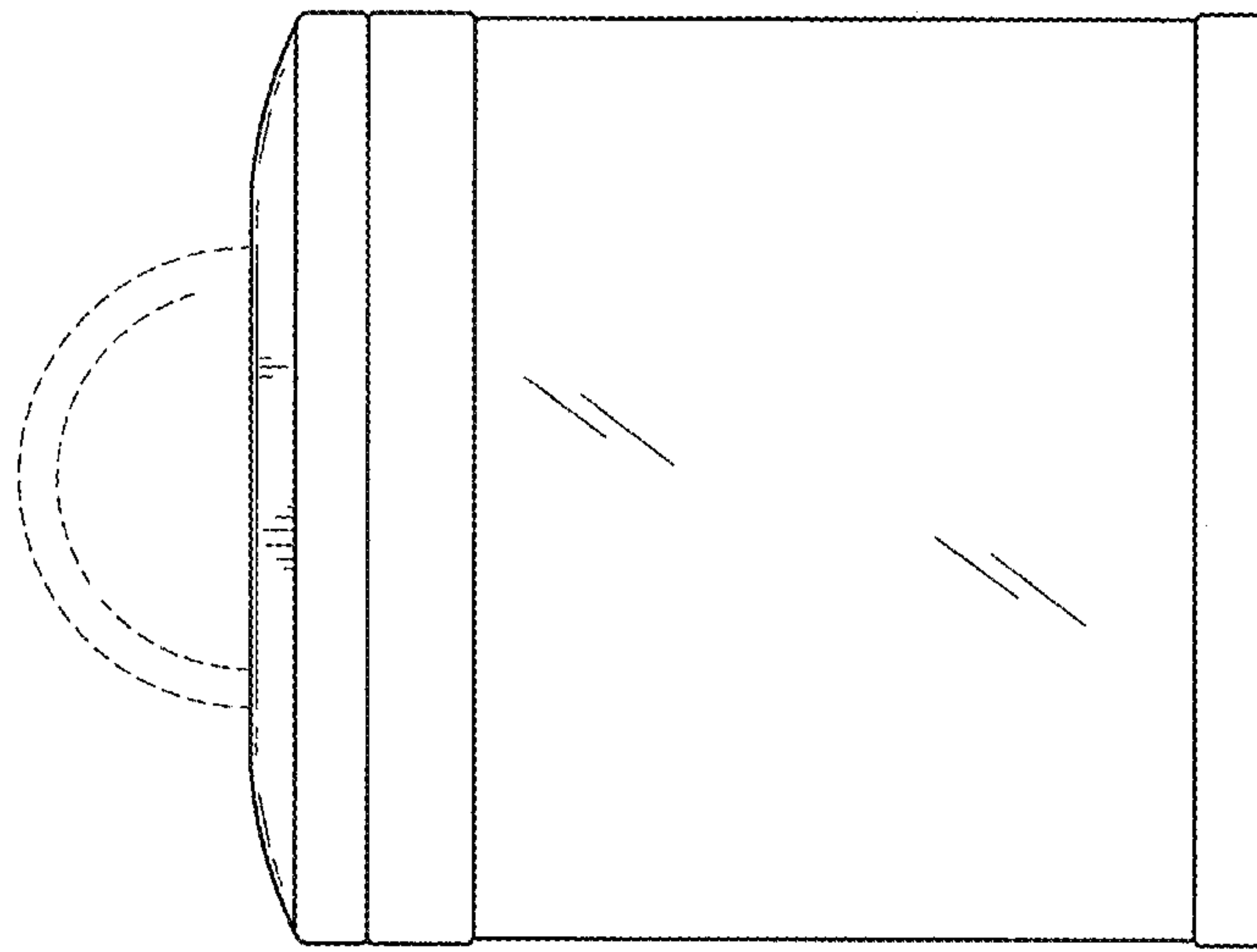


FIG. 2

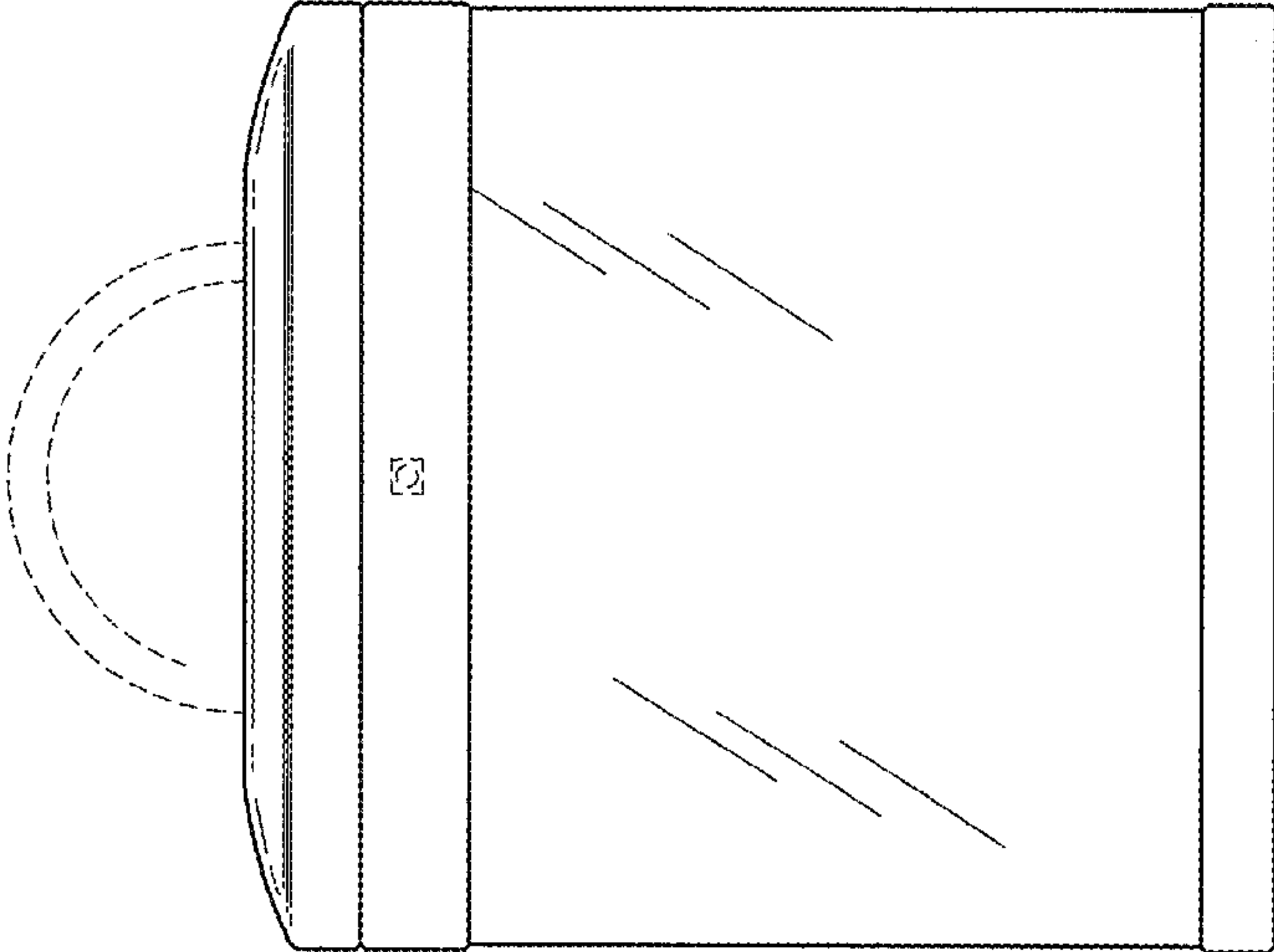


FIG. 3

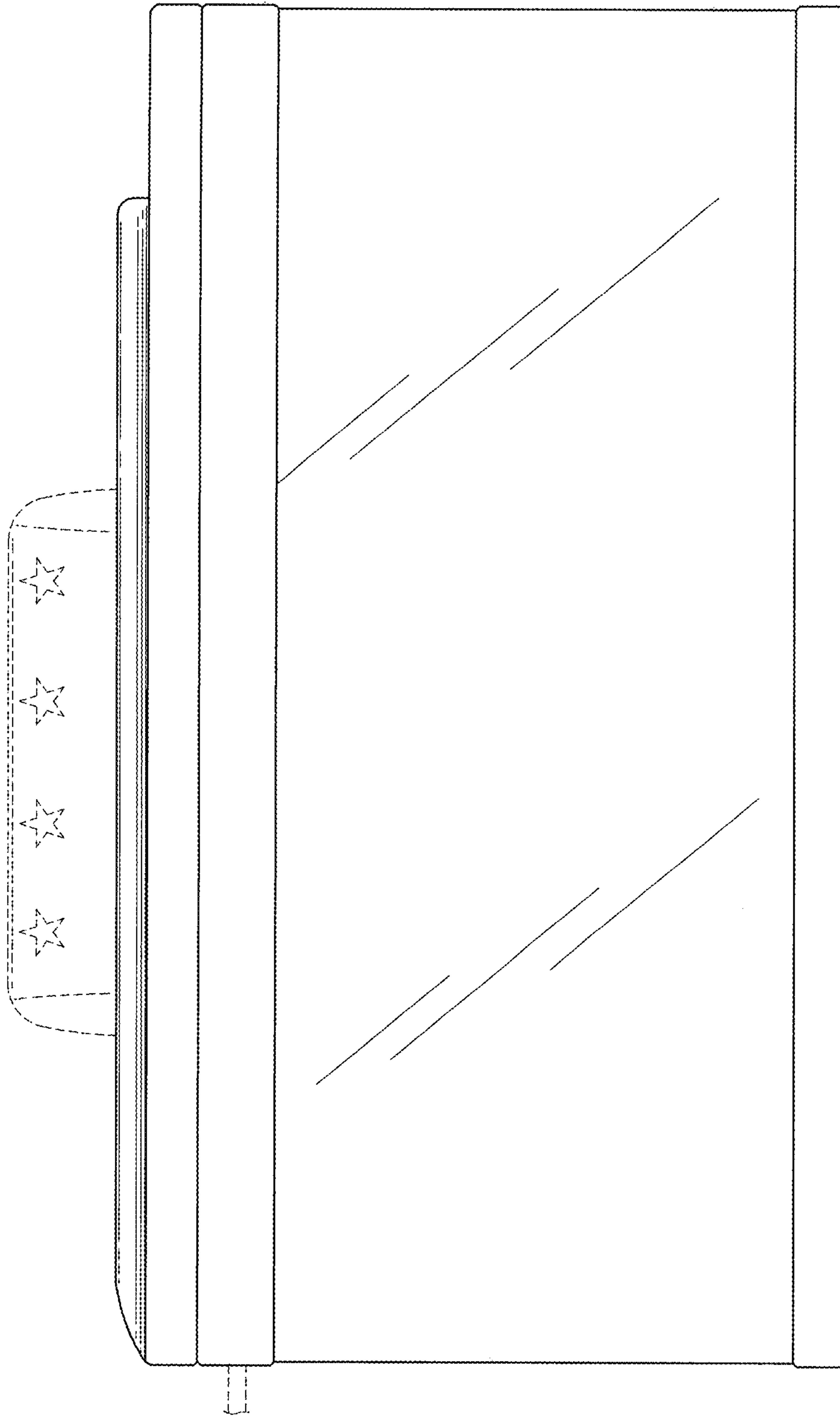


FIG. 4

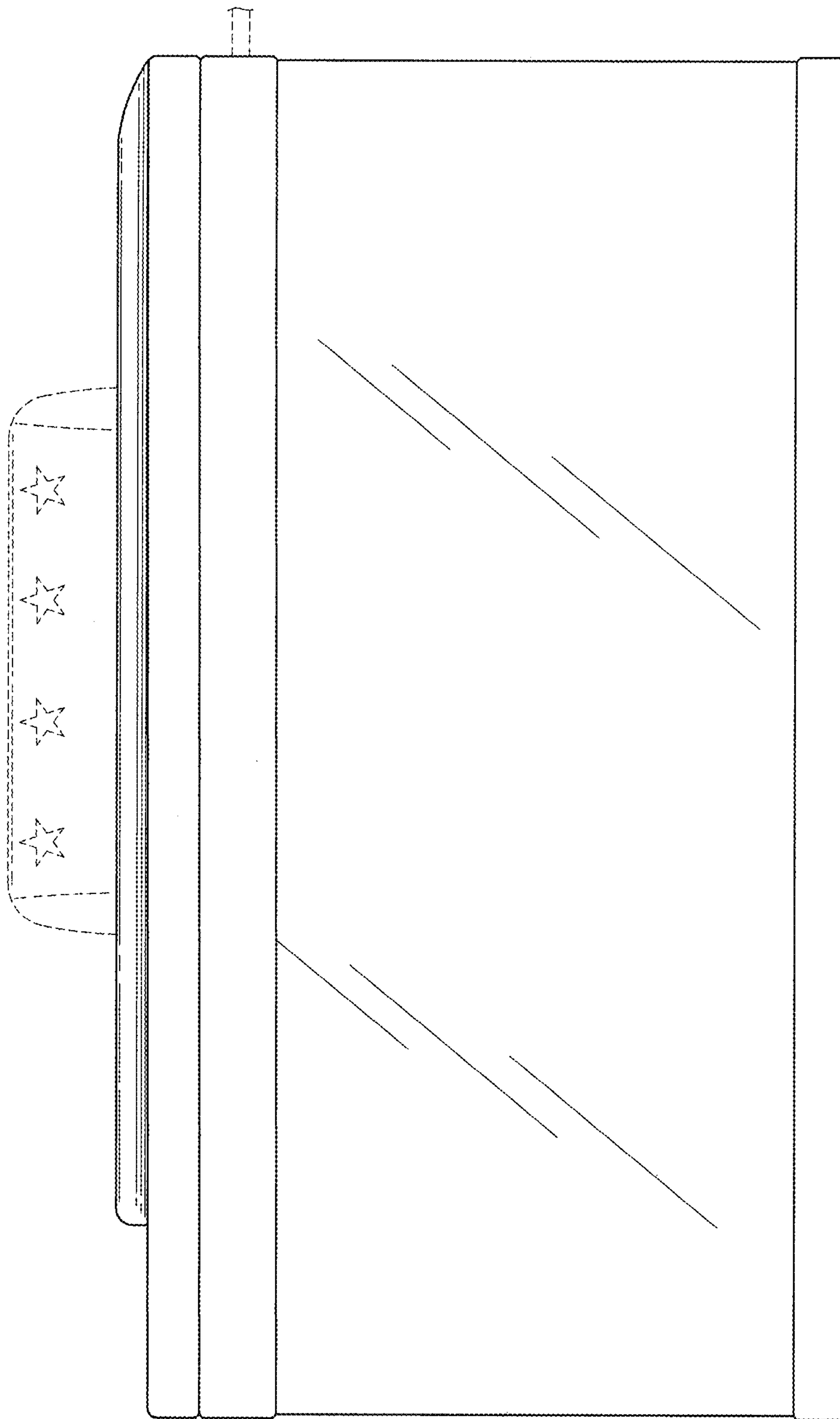


FIG. 5



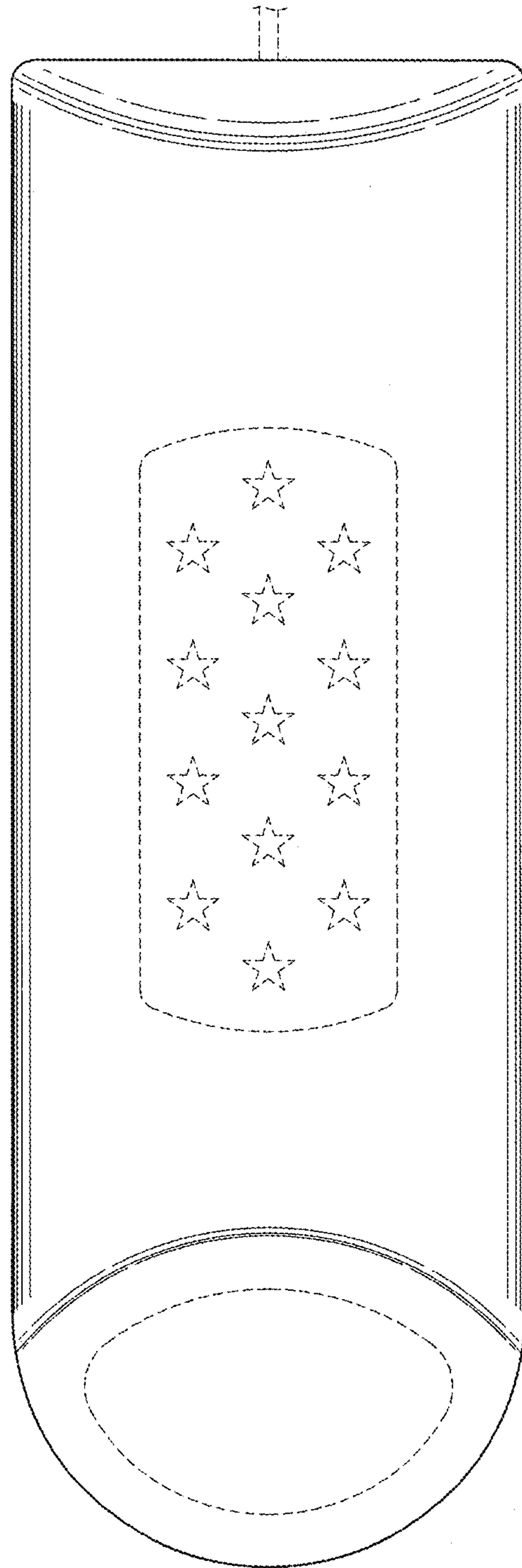


FIG. 6

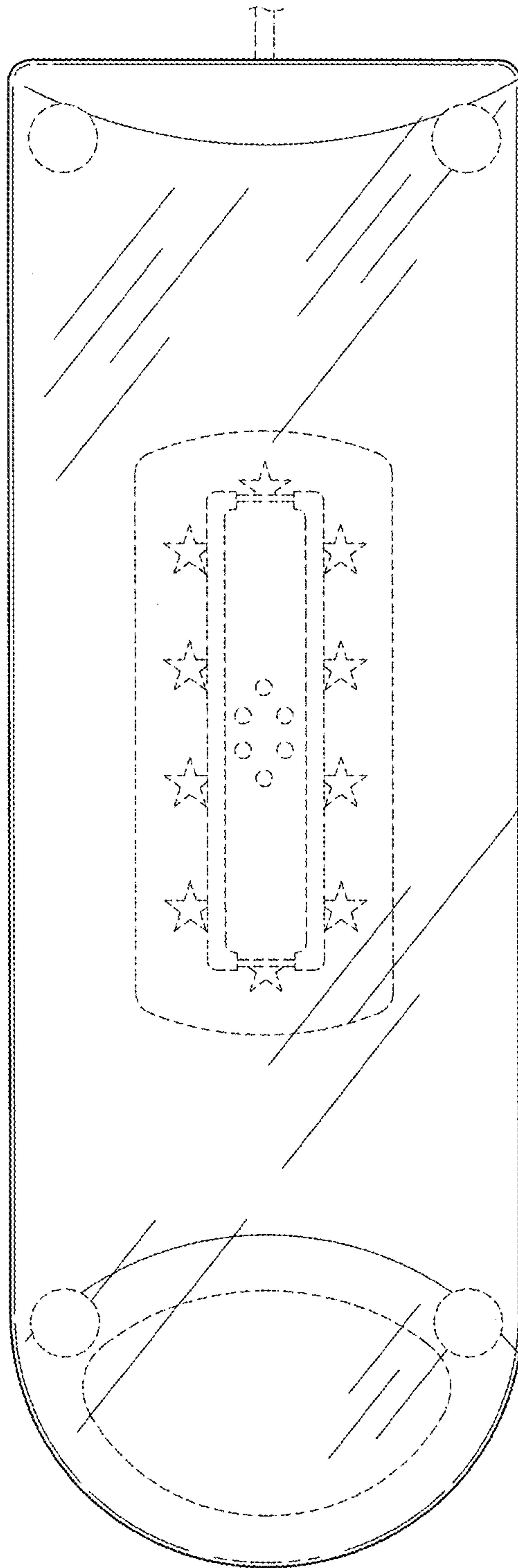


FIG. 7