



US00D814705S

(12) **United States Design Patent**
Norris

(10) **Patent No.:** **US D814,705 S**

(45) **Date of Patent:** **** Apr. 3, 2018**

(54) **FACE PAINT CONTAINER**

(71) Applicant: **Predator Warpaint, Inc.**, San Diego, CA (US)

(72) Inventor: **Nick Norris**, San Diego, CA (US)

(73) Assignee: **PREDATOR WARPAINT, INC.**, San Diego, CA (US)

(**) Term: **15 Years**

(21) Appl. No.: **29/620,146**

(22) Filed: **Jan. 25, 2016**

(51) **LOC (11) Cl.** **28-03**

(52) **U.S. Cl.**
USPC **D28/82; D9/500; D9/756; D8/34**

(58) **Field of Classification Search**
USPC D28/78, 82, 88, 89, 91, 4, 7, 76, 99, 77;
D9/537, 731, 767, 772, 500, 501, 502,
D9/503, 504, 505, 524, 538, 549, 737,
D9/738, 756; 206/538; D7/554.2, 562,
D7/557, 615; D3/203.3, 313; D8/33, 34;
220/288

CPC A45D 40/00; A45D 40/0068; A45D
40/0075; A45D 33/00; A45D 33/14;
A45D 33/16; A45D 40/0081; A45D
40/0087; A45D 33/18

See application file for complete search history.

(56) **References Cited**

U.S. PATENT DOCUMENTS

D72,249 S * 3/1927 Orzo D28/76
1,896,976 A * 2/1933 Schifferdecker G07D 9/02
15/185
2,426,883 A * 9/1947 Kartyshai A45D 33/003
132/314

(Continued)

OTHER PUBLICATIONS

Makeup container, Huiles & Sens, posted at huiles-et-sens.com, posting date not given, © 2017 Presta Shop, online, site visited May 26, 2017. Available from Internet, <URL: https://www.huiles-et-sens.com/en/1577-make-up-container-3-compartments-10-ml.html.*

(Continued)

Primary Examiner — Shannon W Morgan

Assistant Examiner — Altaira J Swangin

(74) *Attorney, Agent, or Firm* — Procopio Cory Hargreaves and Savitch LLP

(57) **CLAIM**

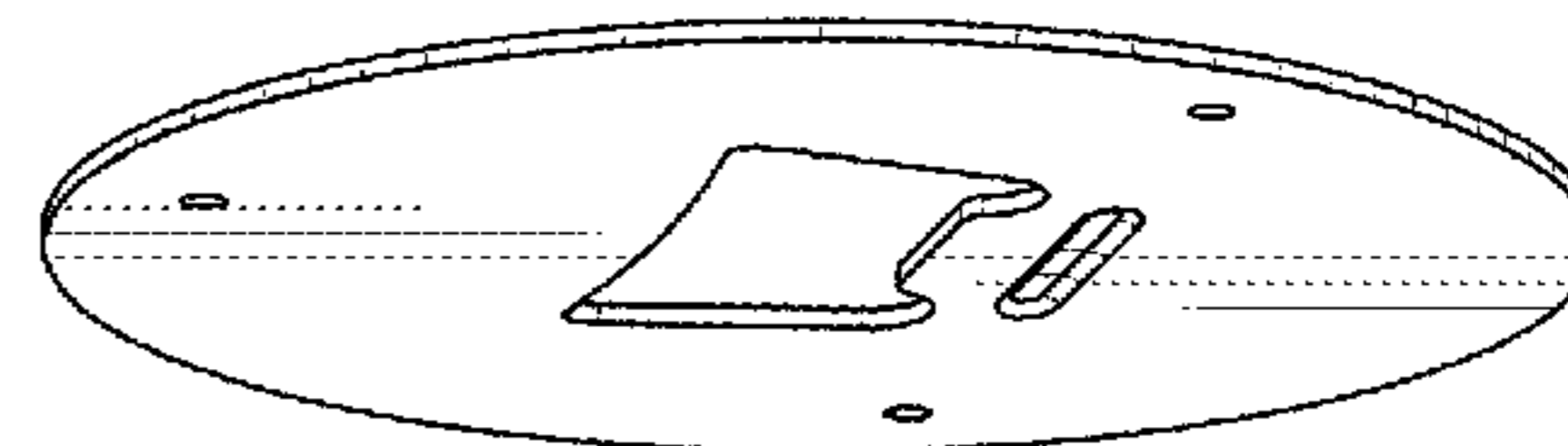
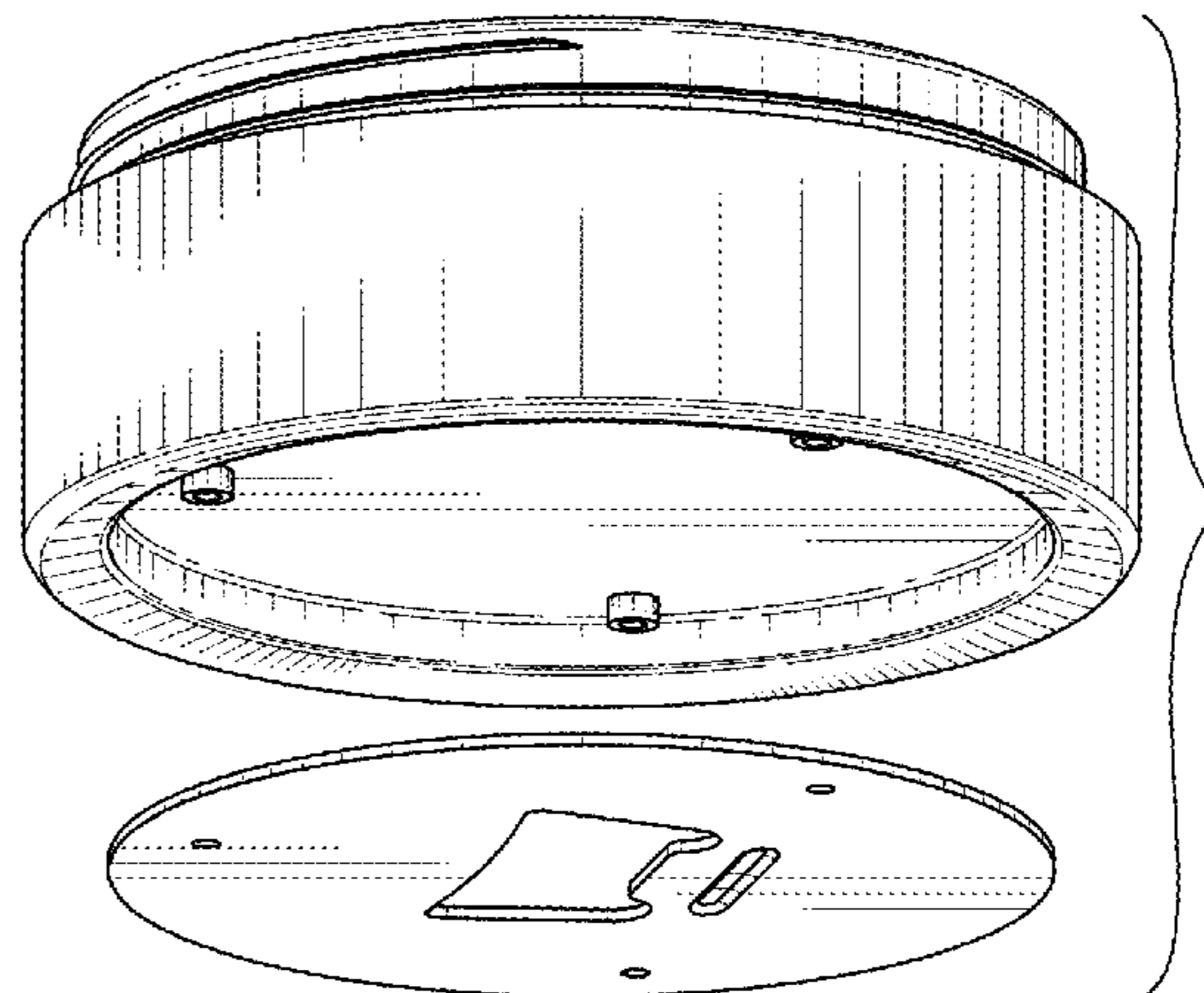
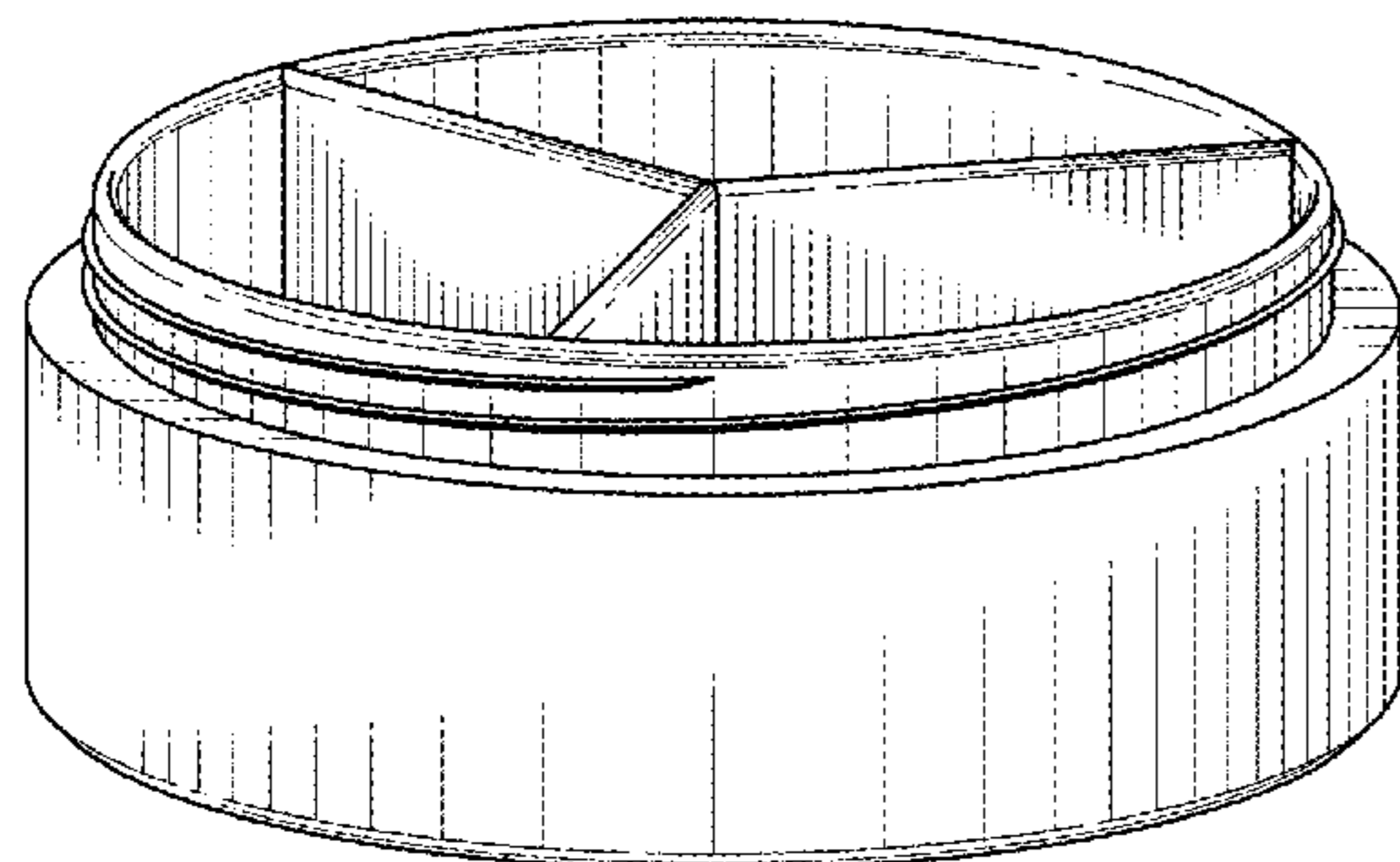
The ornamental design for a face paint container, as shown and described.

DESCRIPTION

FIG. 1 is a perspective view of the face paint container; FIG. 2 is a right side elevational view of the face paint container; FIG. 3 is a left side elevational view of the face paint container; FIG. 4 is a front elevational view of the face paint container; FIG. 5 is a rear elevational view of the face paint container; FIG. 6 is a top plan view of the face paint container; FIG. 7 is a bottom plan view of the face paint container; FIG. 8 is a cross-sectional view of the face paint container taken along lines 8-8 of FIG. 6; FIG. 9 is a top perspective view of the face paint container; and, FIG. 10 is an exploded bottom perspective view of the face paint container.

The broken lines shown in FIG. 9 are included for the purpose of illustrating environmental elements only and form no part of the claimed design. The broken lines and areas within, shown in FIG. 6, other than the dashed line type shown as section reference lines, depict portions of the face paint container that form no part of the claimed design.

1 Claim, 5 Drawing Sheets



(56)

References Cited

U.S. PATENT DOCUMENTS

D158,174 S * 4/1950 Busiel D28/76
 2,774,466 A * 12/1956 Liska B65D 47/263
 206/538
 D189,888 S * 3/1961 Tapper D24/226
 3,675,620 A * 7/1972 Baustin A61J 7/04
 116/308
 D228,157 S * 8/1973 Sussman D28/82
 D231,747 S * 6/1974 Davis D11/152
 D320,942 S * 10/1991 Lillelund D9/434
 D325,281 S * 4/1992 Jordan D3/302
 D355,735 S * 2/1995 Shaffer D32/53
 H1855 H * 8/2000 Litton A45D 40/00
 D28/82
 6,755,311 B2 * 6/2004 Berry B25H 3/04
 211/65
 D506,910 S * 7/2005 Tham-itthisak D7/509
 D542,706 S * 5/2007 Prenatt D11/152
 D553,797 S * 10/2007 Gunter D28/82
 D561,943 S * 2/2008 Desdoigts D28/82
 D578,891 S * 10/2008 Canamasas Puigbo D9/500
 D581,809 S * 12/2008 Wichowski D9/504
 7,607,386 B2 * 10/2009 Wise A47J 31/0576
 220/525
 D608,084 S * 1/2010 Anson D3/203.3
 D633,292 S * 3/2011 Anson D3/203.3
 D637,806 S * 5/2011 Anson D3/203.3
 D651,923 S * 1/2012 Cronin D27/172
 D693,190 S * 11/2013 Spector D7/682
 D717,038 S * 11/2014 Lee D3/203.3
 9,101,192 B2 * 8/2015 Martins A45D 33/006
 D746,627 S * 1/2016 Puigbo D9/503
 9,265,287 B2 * 2/2016 Sims A24F 23/00
 D756,790 S * 5/2016 Henriksson D9/504
 9,392,857 B2 * 7/2016 Jung B05B 11/0024
 D781,151 S * 3/2017 Lerman D9/500
 9,609,936 B2 * 4/2017 Kim A45D 40/0075
 9,629,437 B2 * 4/2017 Shen A45D 33/00
 D788,372 S * 5/2017 Reed D28/82
 D794,475 S * 8/2017 Now D9/738
 D795,705 S * 8/2017 Huang D9/738
 D797,559 S * 9/2017 Lerman D9/500

D798,739 S * 10/2017 Reaux D9/756
 9,788,633 B2 * 10/2017 Jung A45D 34/04
 D802,836 S * 11/2017 Ghiotti D27/186
 D803,687 S * 11/2017 Fernandez D9/500
 D804,721 S * 12/2017 Ghiotti D27/186
 D805,253 S * 12/2017 Gesthuisen D28/66
 2004/0069677 A1 * 4/2004 Baudin A45D 40/0068
 206/581
 2006/0237342 A1 * 10/2006 Lai A45D 33/006
 206/581
 2012/0187124 A1 * 7/2012 Chang B65D 47/265
 220/253
 2017/0202342 A1 * 7/2017 Won A45D 40/0068
 2017/0203265 A1 * 7/2017 Pouzet B01F 3/0853
 2017/0238675 A1 * 8/2017 Jung A45D 40/0075
 2017/0270774 A1 * 9/2017 Fateh A45D 40/0068
 2017/0303655 A1 * 10/2017 Hamze A45C 11/008
 2017/0303661 A1 * 10/2017 Salciarini A45D 40/0068

OTHER PUBLICATIONS

Various mutli-compartment jars, ebook, posted at ispackage.com, posting date not given, © 2015 Integrity Cosmetic Container Industrial Co., Ltd., online, site visited May 26, 2017. Available from Internet, <URL: <http://www.ispackage.com/ebook/ebook1/#features/>>.*

Multi-compartment makeup jars, posted at ispackage.com, posting date not given, date limit search on images precedes filed © 2015 Integrity Cosmetic Container Industrial Co., Ltd., online, site visited May 26, 2017. Available from Internet, <URL: <http://www.ispackage.com/multi-compartment.htm>>.*

3 Color Woodland Camo with Bottle Opener, Predator Warpaint, posted at predatorwarpaint.com, date and author not listed © 2016 Predator Warpaint, online, site visited May 22, 2017. Available from Internet, URL: <https://predatorwarpaint.com/product/3colorwoodlandcamowithbottleopener/> (Year: 0000).*

Woodland Camo Tin, Predator Warpaint, kickstarter.com by Nick Norris, posting date not listed © 2017 Kickstarter, online, site visited Dec. 29, 2017. Available from Internet, URL: <https://www.kickstarter.com/projects/predatorwarpaint/predator-warpaint-made-by-warriors-for-warriors/description> (Year: 0000).*

* cited by examiner

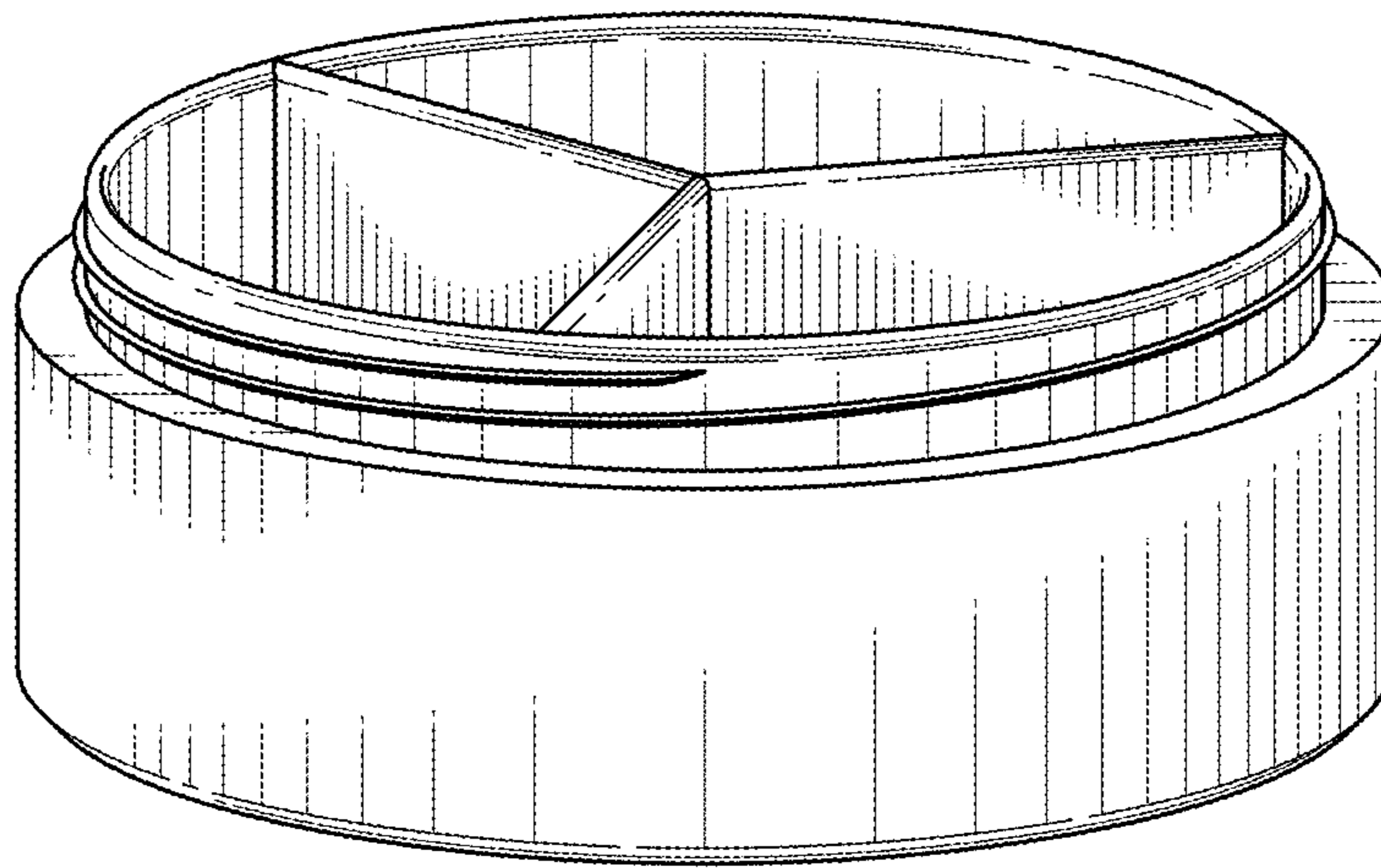


FIG. 1

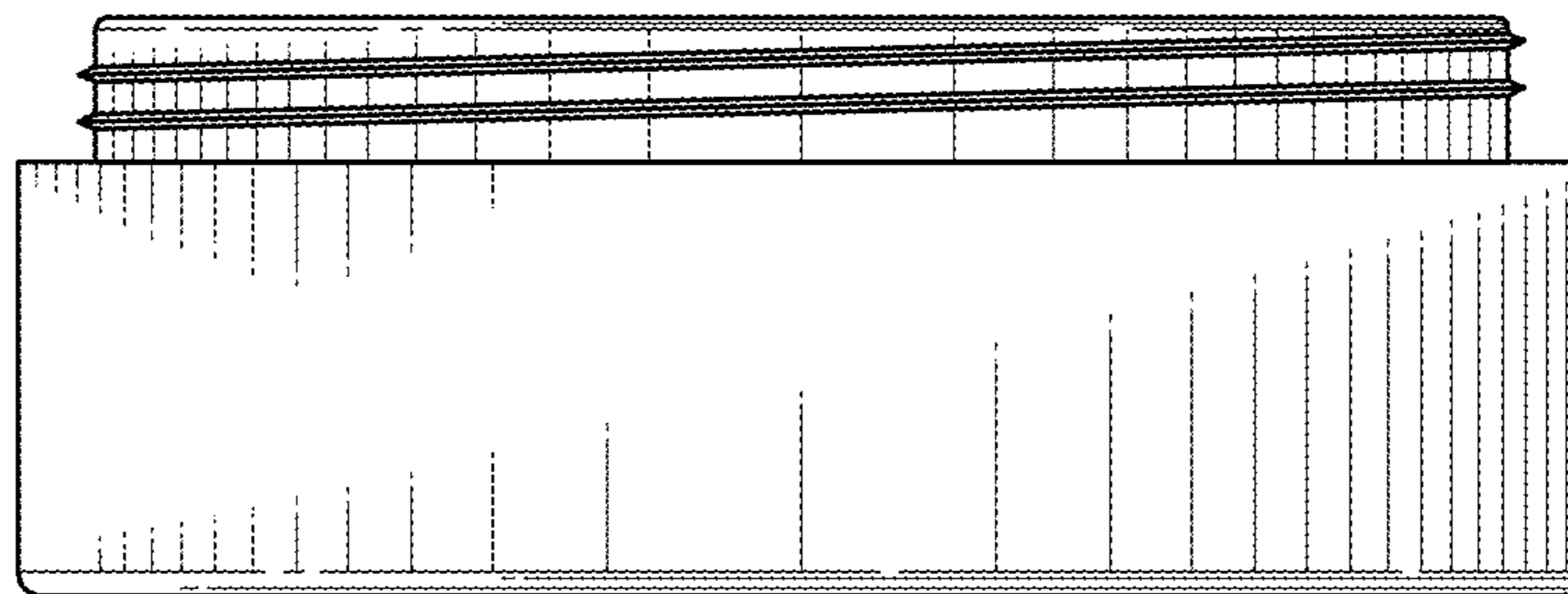


FIG. 2

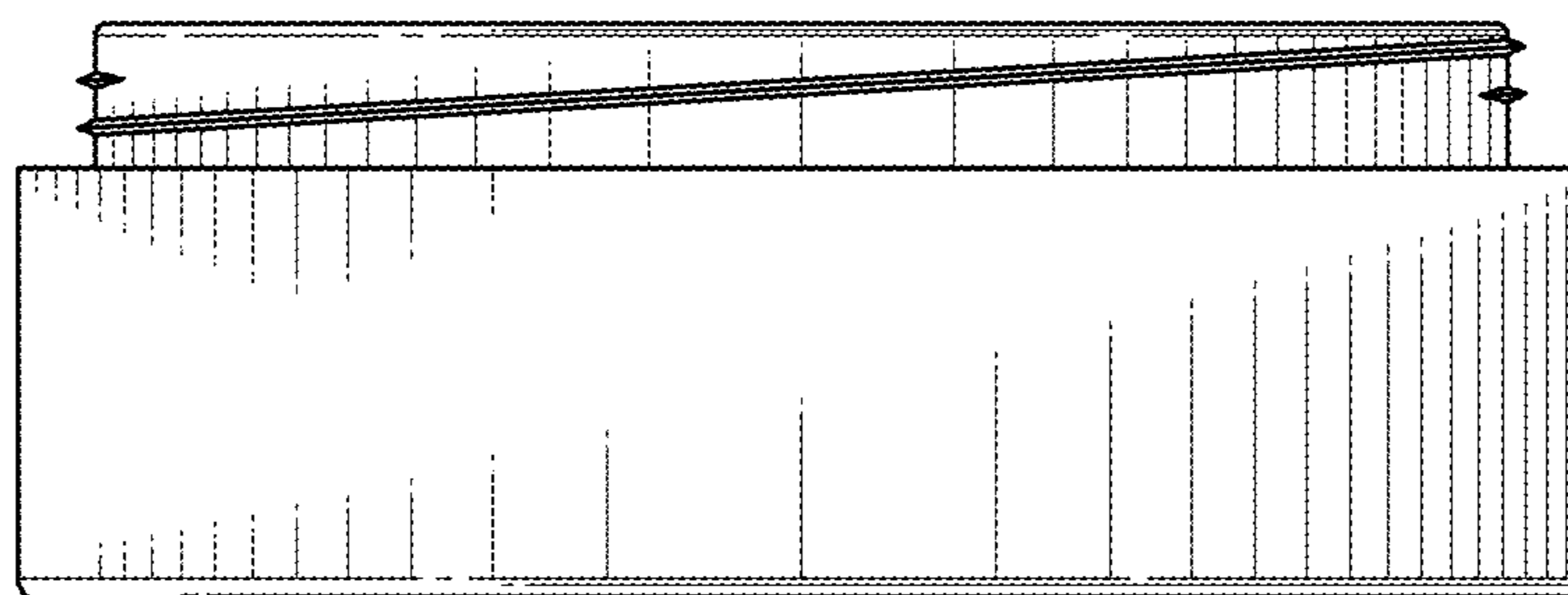


FIG. 3

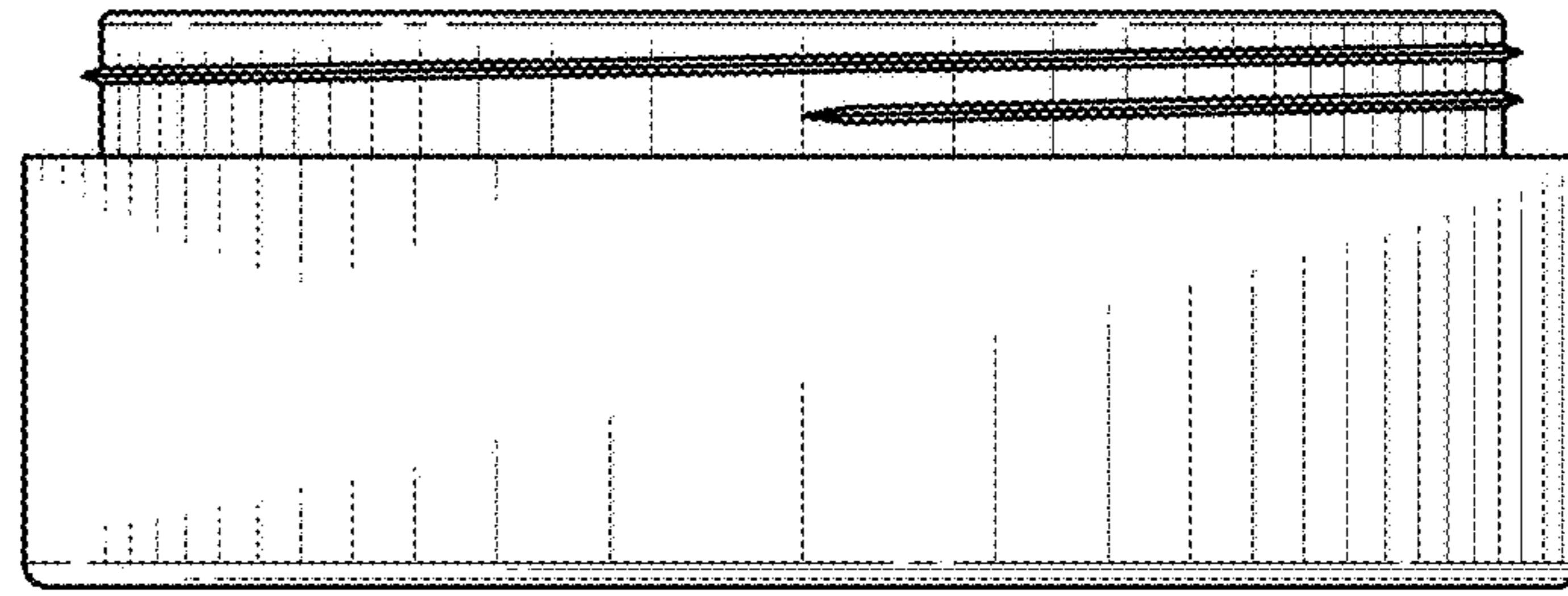


FIG. 4

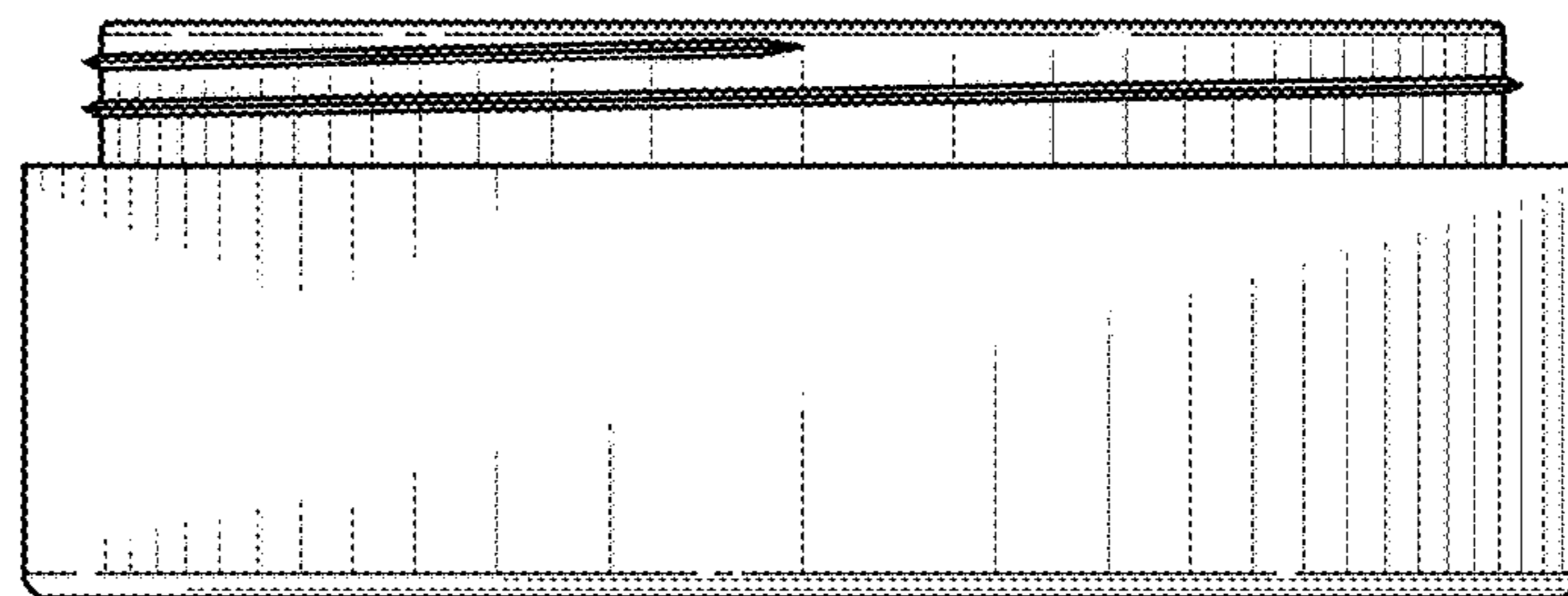


FIG. 5

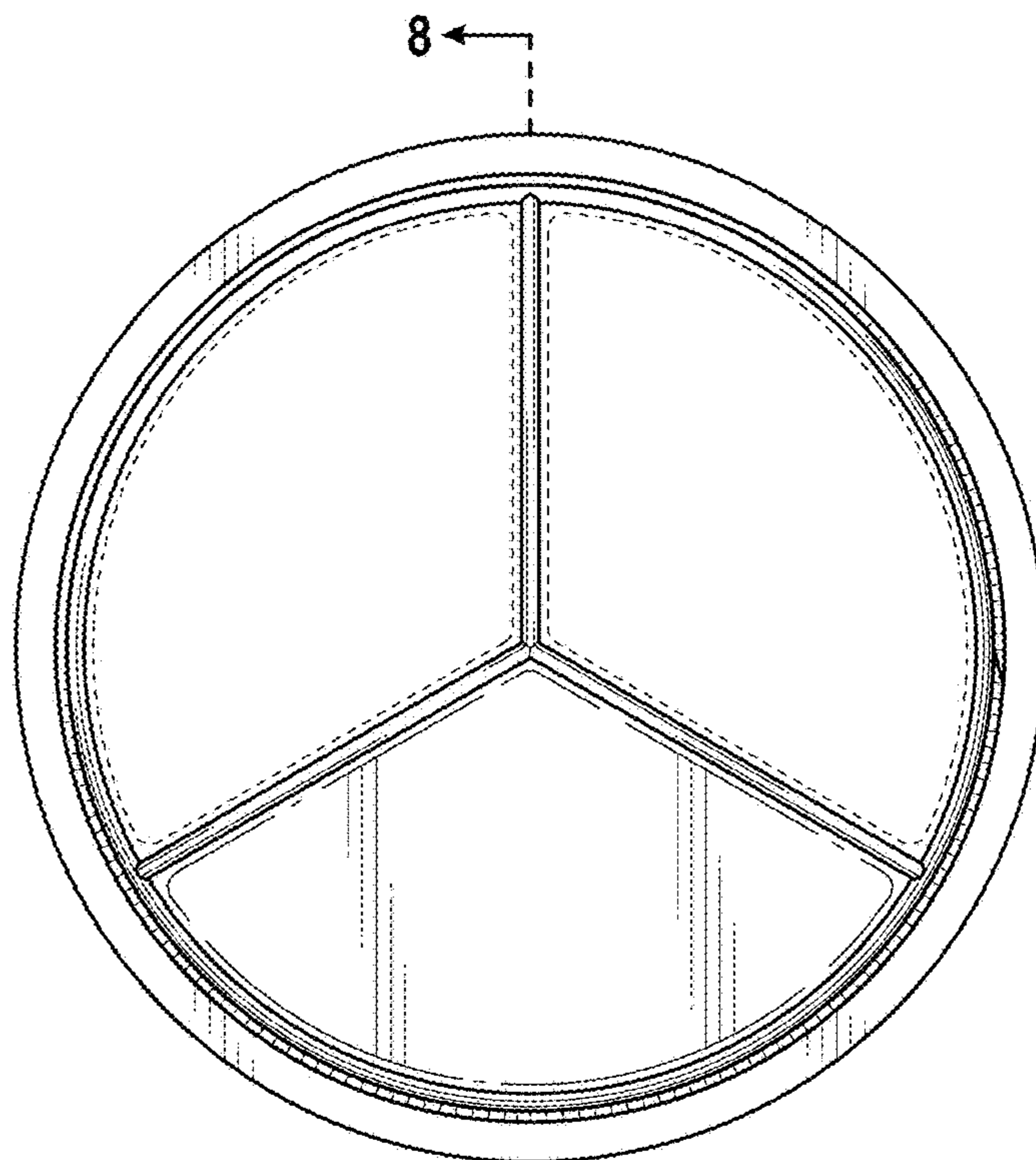


FIG. 6

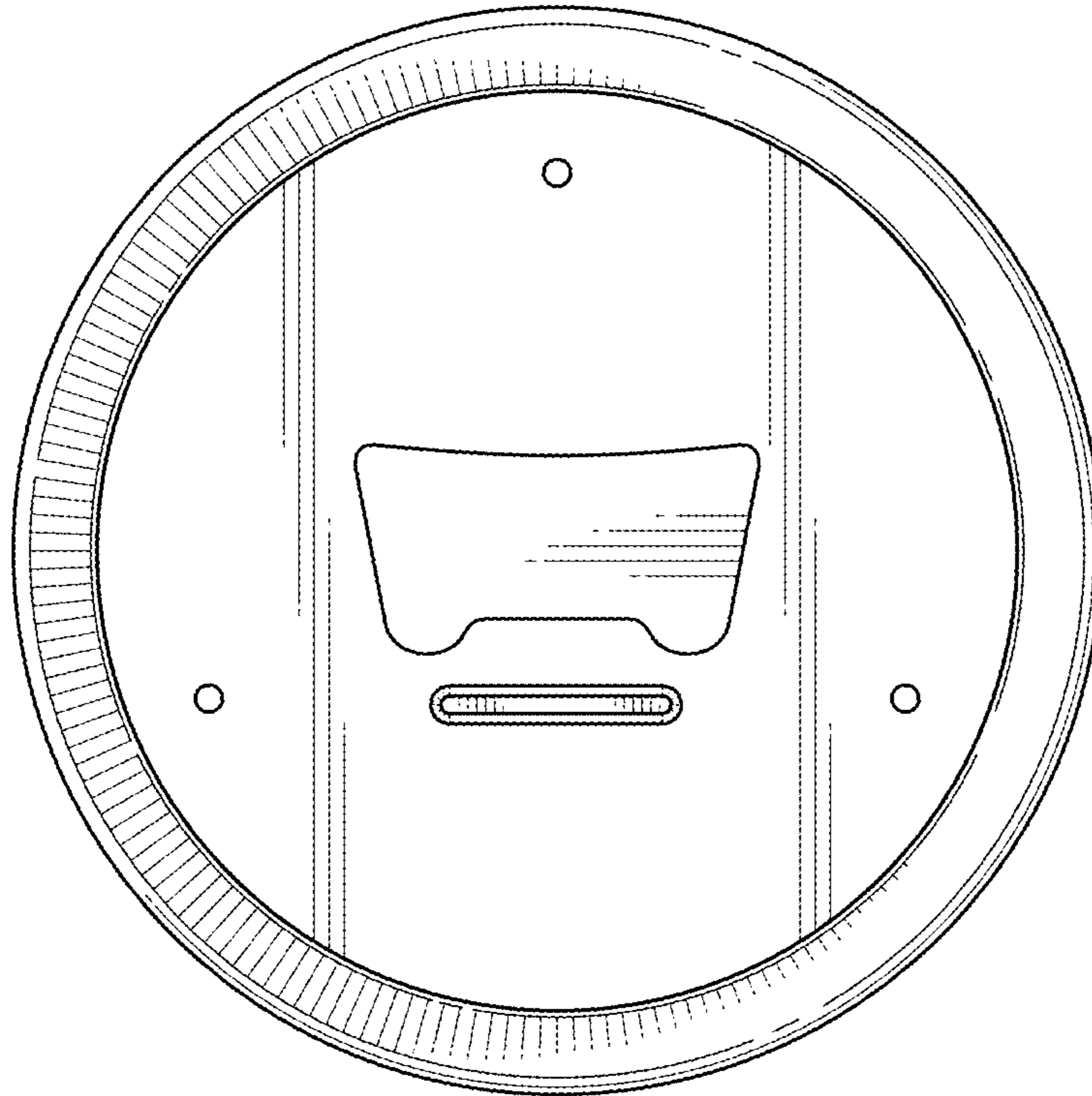


FIG. 7

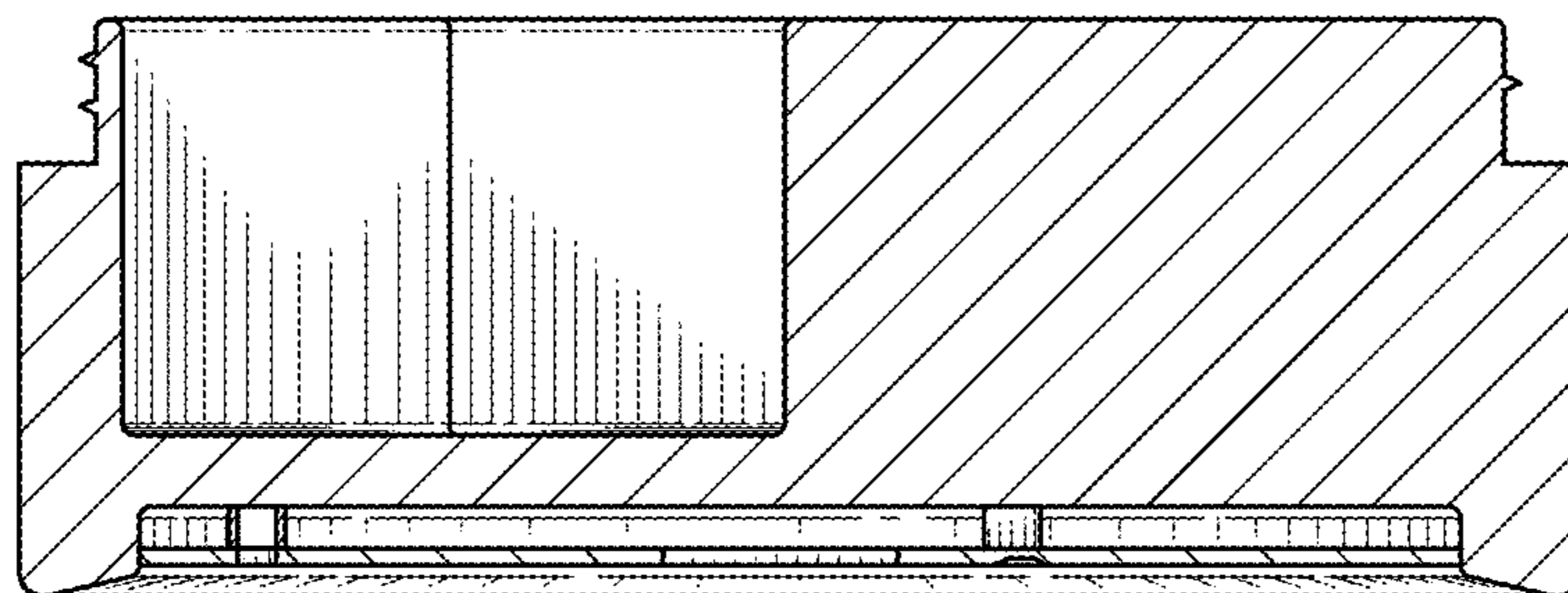


FIG. 8

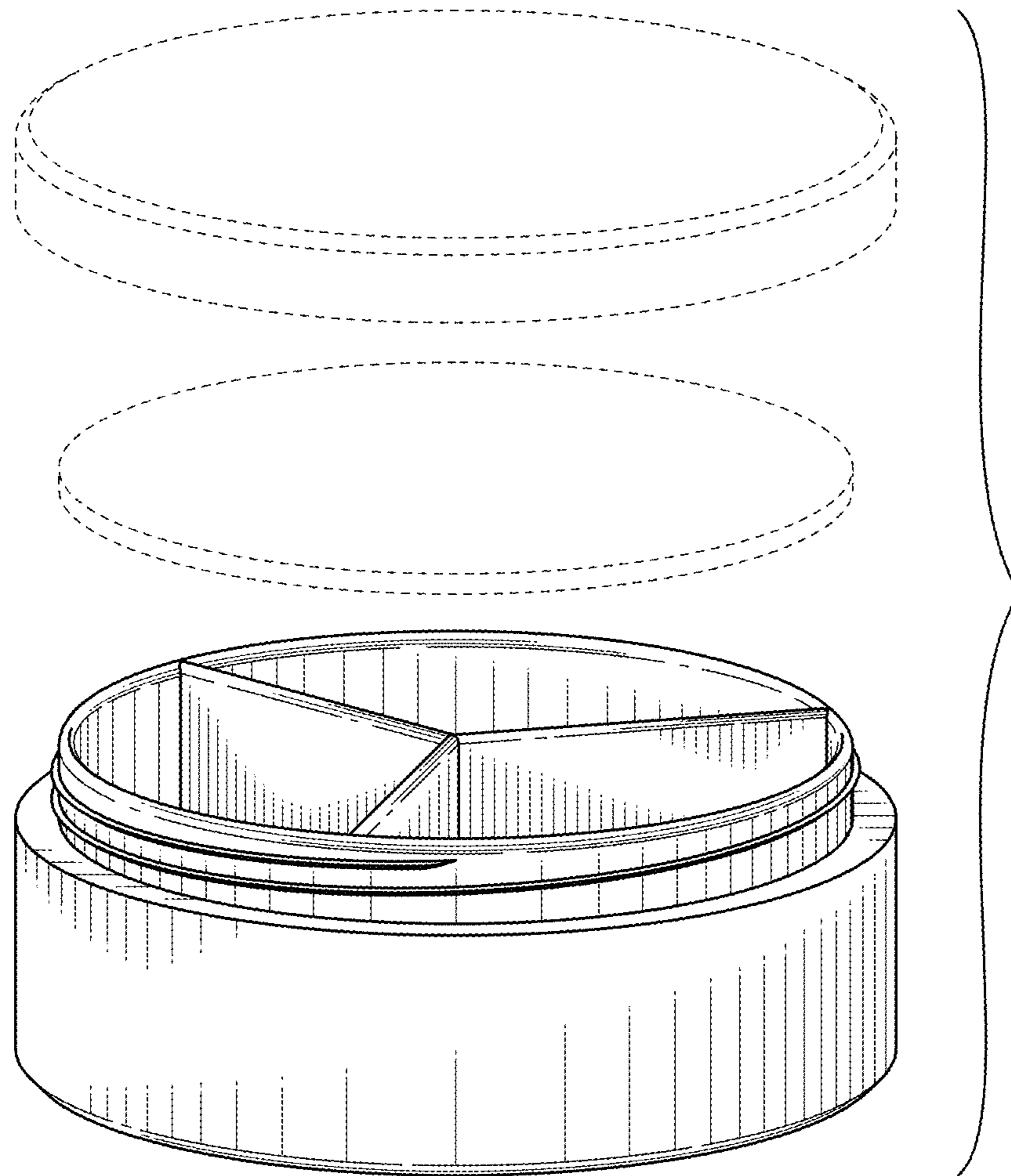


FIG. 9

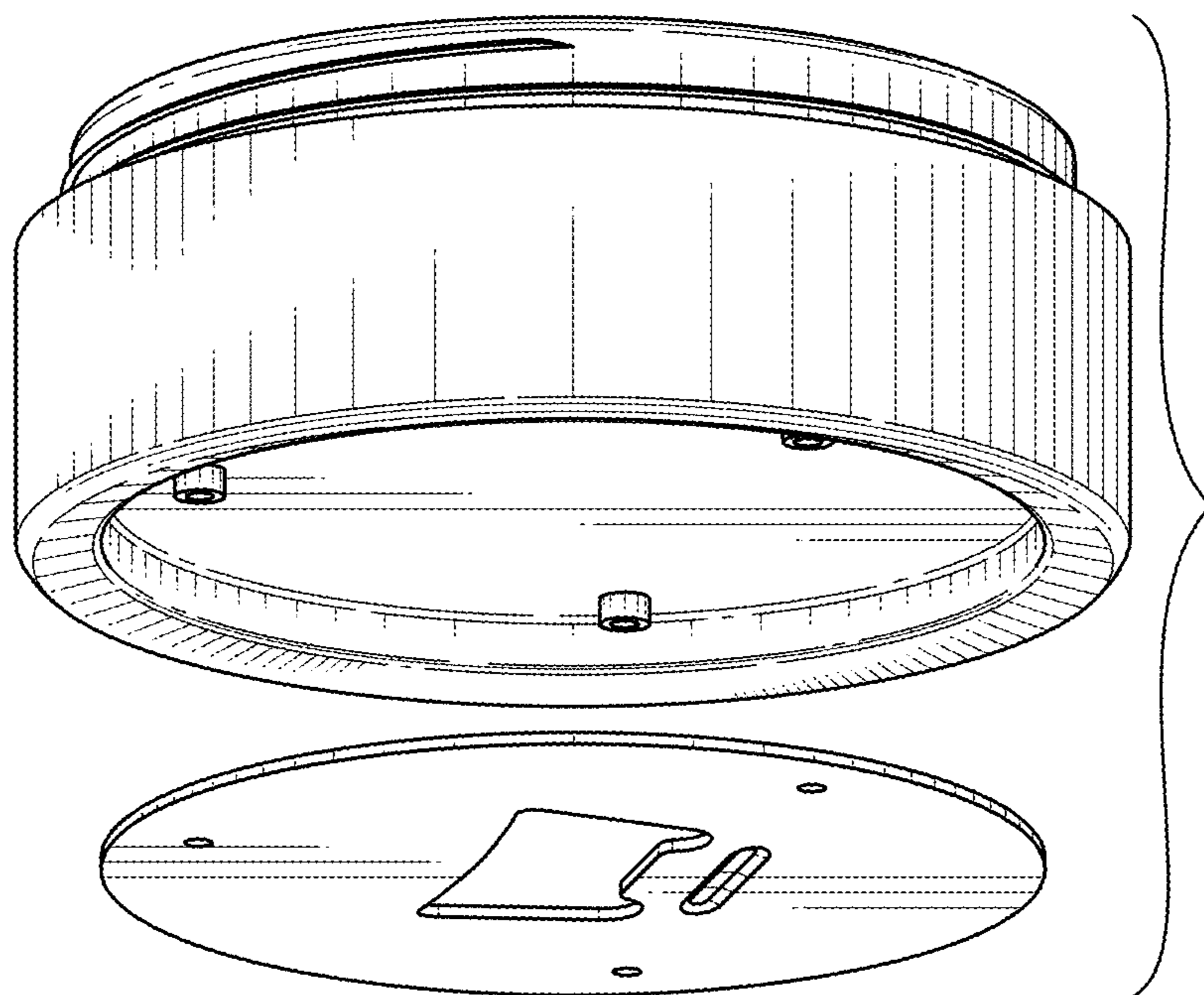


FIG. 10