



US00D814704S

(12) **United States Design Patent**
Triato

(10) **Patent No.:** **US D814,704 S**

(45) **Date of Patent:** **** Apr. 3, 2018**

(54) **SET OF DENTAL FLOSS HOLDERS**

(71) Applicant: **Patrick R. Triato**, Portland, OR (US)

(72) Inventor: **Patrick R. Triato**, Portland, OR (US)

(73) Assignee: **Goodwell LLC**, Portland, OR (US)

(**) Term: **15 Years**

(21) Appl. No.: **29/541,751**

(22) Filed: **Oct. 7, 2015**

(51) **LOC (11) Cl.** **28-03**

(52) **U.S. Cl.**
USPC **D28/66**

(58) **Field of Classification Search**
USPC D28/31, 56, 65-68, 73; D24/152;
433/141, 146-147; 132/322-329
CPC A61C 15/04; A61C 15/00; A61C 15/02;
A61C 15/041; A61C 15/042; A61C
15/043; A61C 15/045; A61C 15/046;
A61C 15/047; A61C 15/048
See application file for complete search history.

(56) **References Cited**

U.S. PATENT DOCUMENTS

4,660,583 A * 4/1987 Brown A61C 15/02
132/329
D307,493 S * 4/1990 Cheng D28/66
5,855,215 A * 1/1999 Clarke A61C 15/02
132/321
D548,886 S * 8/2007 Lee D28/65

D610,747 S * 2/2010 Brownell D28/65
2012/0067367 A1 * 3/2012 Stewart A61C 15/046
132/326
2014/0130824 A1 * 5/2014 Fisher A61C 15/041
132/323

* cited by examiner

Primary Examiner — **Zenia Bennett**

(74) *Attorney, Agent, or Firm* — **Mersenne Law**

(57) **CLAIM**

The ornamental design for a set of dental floss holders, as shown and described.

DESCRIPTION

FIG. 1 shows a perspective view of a complete embodiment of the invention. Preferably, an embodiment is similar in size (in all dimensions) to the ID-1 card size of international standard ISO/IEC 7810 (that is, 85.60 mm×53.98 mm×0.76 mm). The embodiment comprises four substantially identical sub-units interconnected by frangible links so that the sub-units can be broken off and used individually.

FIG. 2 is a front or plan view of a complete embodiment. The back view may be a mirror image thereof, or may be unornamented. The appearance of the back of an embodiment is not claimed.

FIG. 3 is a left end view of the complete embodiment.

FIG. 4 is a right end view of the complete embodiment.

FIG. 5 is a top end view of the complete embodiment; and,

FIG. 6 is a bottom end view of the complete embodiment.

Decorative designs or logos may be formed or printed on the surface of an embodiment. These are shown in dashed lines in the figures, and form no part of the invention.

1 Claim, 2 Drawing Sheets

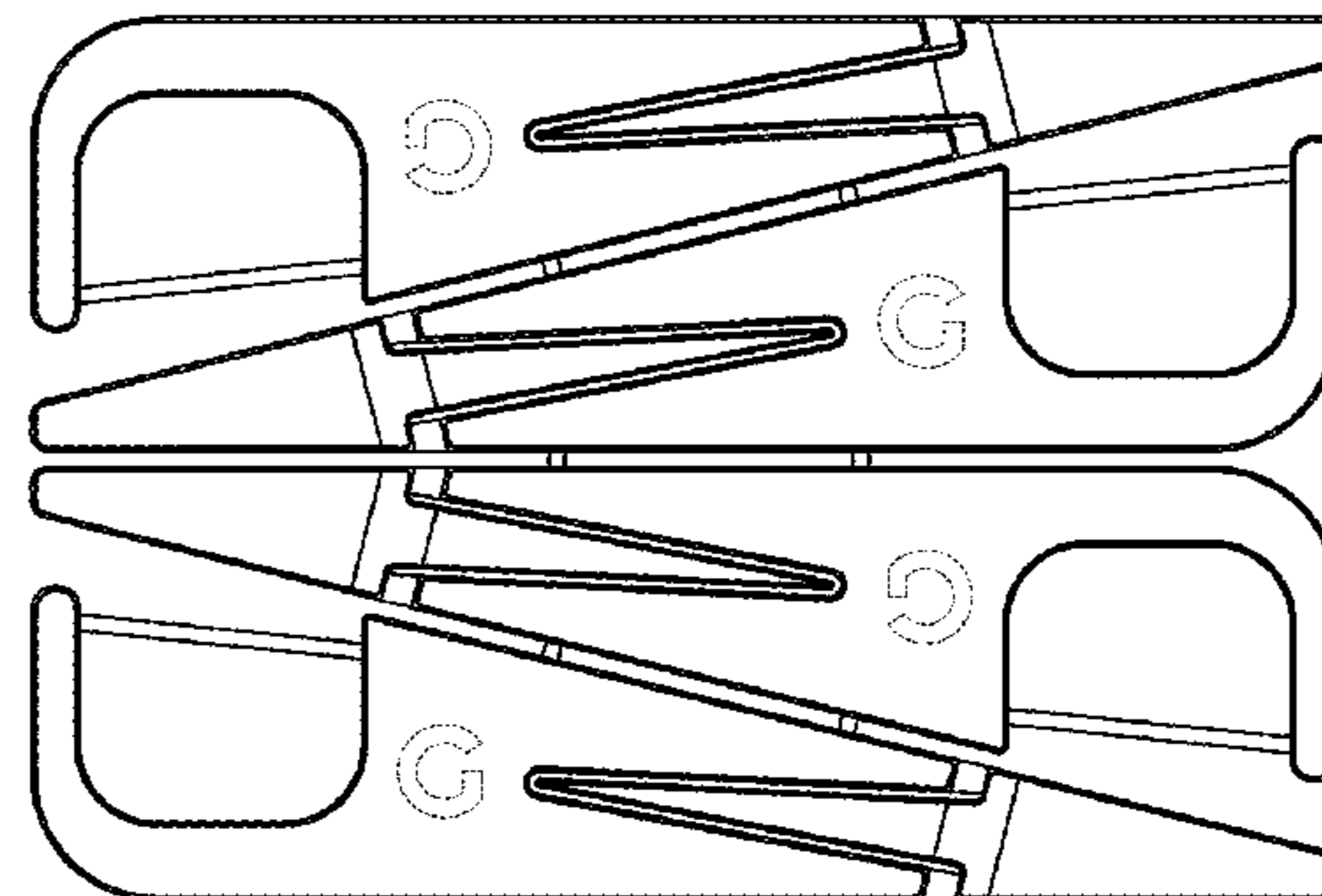
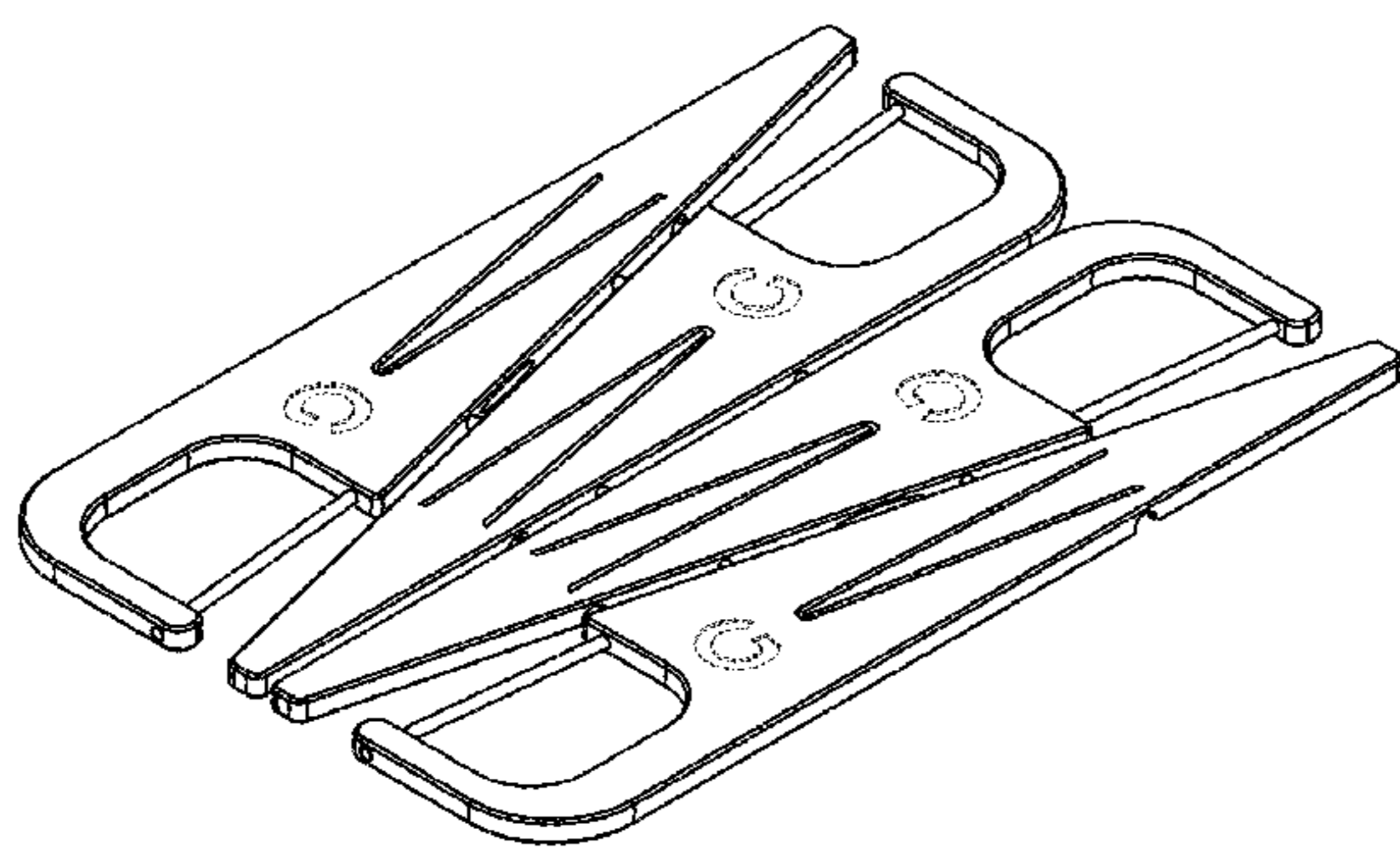


Fig. 1

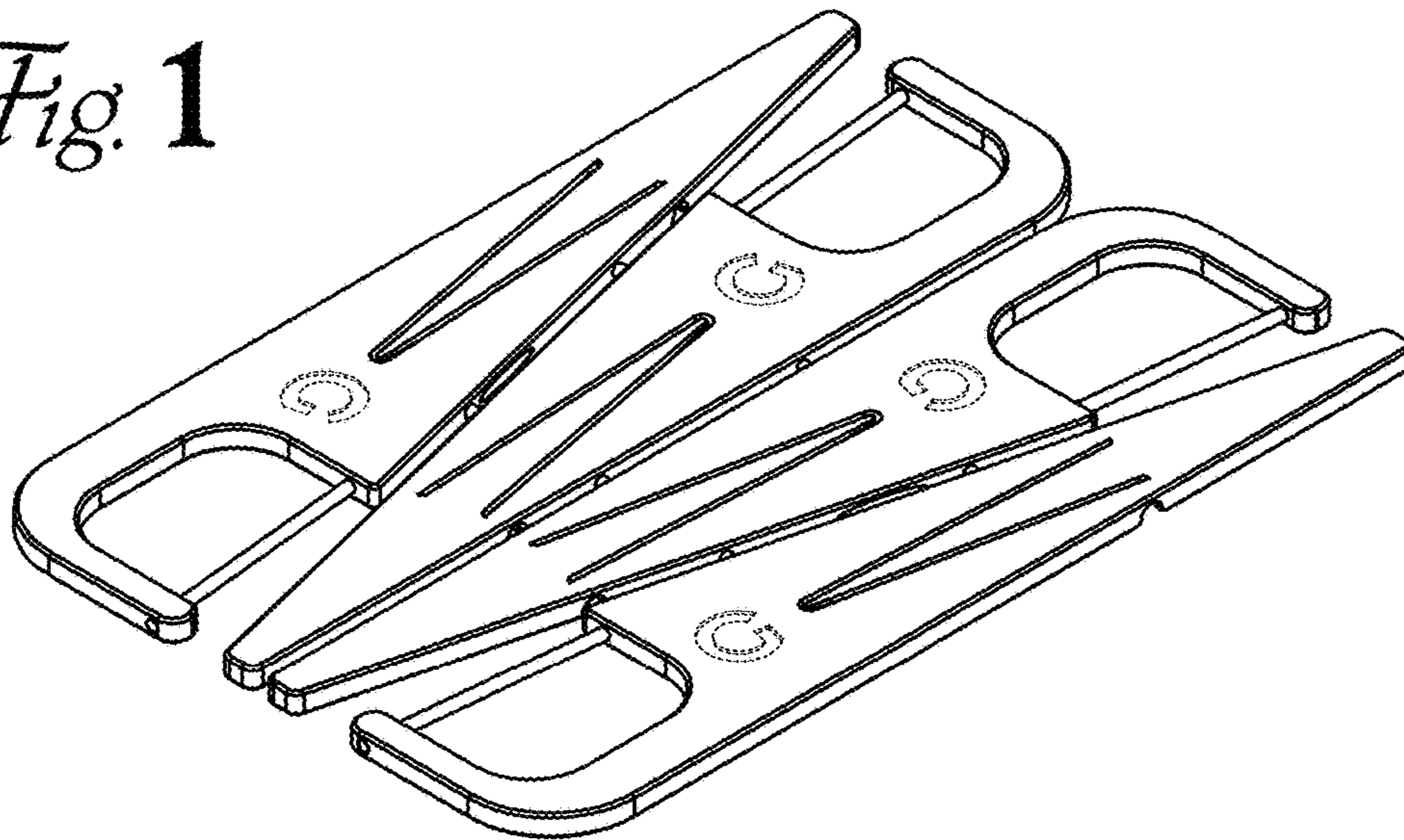


Fig. 5



Fig. 2

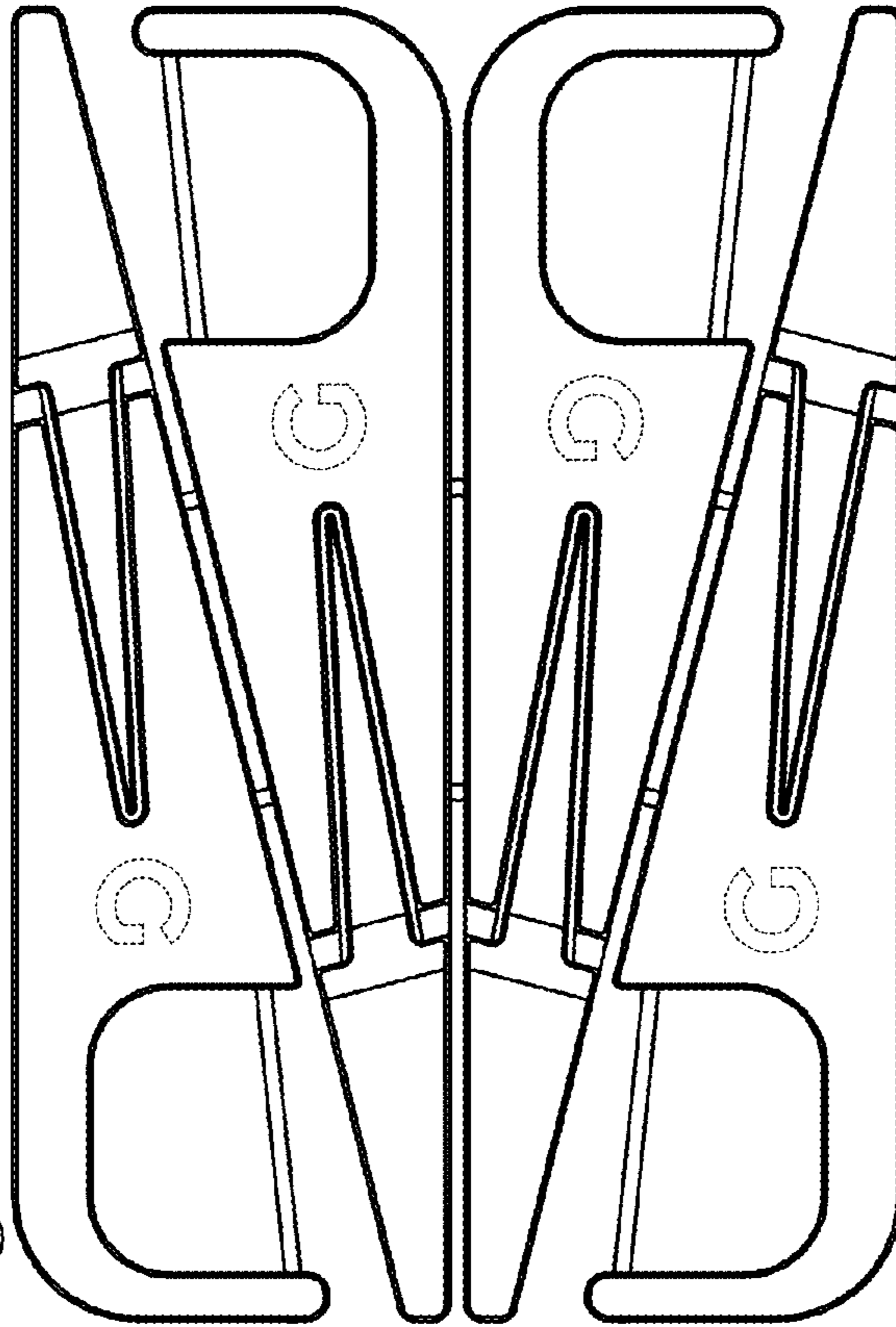


Fig. 4



Fig. 3



Fig. 6

