



US00D814694S

(12) **United States Design Patent** (10) **Patent No.:** **US D814,694 S**  
**Watson** (45) **Date of Patent:** **\*\* Apr. 3, 2018**

- (54) **VAPORIZER TIP**
- (71) Applicant: **Zipline Innovations, LLC**, Denver, CO (US)
- (72) Inventor: **James Matthew Watson**, Katy, TX (US)
- (73) Assignee: **Zipline Innovations, LLC**, Denver, CO (US)
- (\*\*) Term: **15 Years**
- (21) Appl. No.: **29/597,301**
- (22) Filed: **Mar. 16, 2017**
- (51) **LOC (11) Cl.** ..... **27-99**
- (52) **U.S. Cl.**  
 USPC ..... **D27/194**
- (58) **Field of Classification Search**  
 USPC ..... D27/100, 101, 162–170, 172–195  
 CPC ..... A24F 1/30; A24F 47/002; A24F 9/14  
 See application file for complete search history.

(56) **References Cited**

U.S. PATENT DOCUMENTS

|              |         |          |       |         |
|--------------|---------|----------|-------|---------|
| D683,897 S * | 6/2013  | Liu      | ..... | D27/170 |
| D720,499 S * | 12/2014 | Alima    | ..... | D27/167 |
| D724,264 S * | 3/2015  | Chambers | ..... | D27/101 |
| D729,440 S * | 5/2015  | Liu      | ..... | D27/101 |
| D740,488 S * | 10/2015 | Leidel   | ..... | D27/167 |
| D747,547 S * | 1/2016  | Liu      | ..... | D27/101 |
| D749,261 S * | 2/2016  | Chen     | ..... | D27/162 |
| D769,519 S * | 10/2016 | Chen     | ..... | D27/101 |
| D771,307 S * | 11/2016 | Wu       | ..... | D27/101 |
| D774,247 S * | 12/2016 | Chen     | ..... | D27/101 |
| D776,868 S * | 1/2017  | Rado     | ..... | D27/162 |
| D776,869 S * | 1/2017  | Heidi    | ..... | D27/163 |
| D792,022 S * | 7/2017  | Li       | ..... | D27/167 |
| D799,114 S * | 10/2017 | Li       | ..... | D27/167 |
| D800,382 S * | 10/2017 | Mathias  | ..... | D27/167 |
| D804,718 S * | 12/2017 | Mathias  | ..... | D27/162 |

|                  |         |         |       |                         |
|------------------|---------|---------|-------|-------------------------|
| 2014/0360514 A1* | 12/2014 | Zhu     | ..... | A24F 47/008<br>131/329  |
| 2015/0282528 A1* | 10/2015 | Liu     | ..... | A24F 47/008<br>131/329  |
| 2015/0282529 A1* | 10/2015 | Li      | ..... | A24F 47/008<br>131/273  |
| 2015/0296889 A1* | 10/2015 | Liu     | ..... | A24F 47/008<br>131/329  |
| 2015/0313288 A1* | 11/2015 | Liu     | ..... | A24F 47/008<br>131/329  |
| 2015/0335072 A1* | 11/2015 | Giller  | ..... | F21V 33/0004<br>131/328 |
| 2015/0374039 A1* | 12/2015 | Zhu     | ..... | A24F 47/008<br>131/329  |
| 2016/0000146 A1* | 1/2016  | Zhu     | ..... | A24F 47/008<br>392/404  |
| 2016/0073692 A1* | 3/2016  | Alarcon | ..... | A24F 47/008<br>131/329  |
| 2016/0113327 A1* | 4/2016  | Wu      | ..... | A24F 47/008<br>131/329  |
| 2016/0120226 A1* | 5/2016  | Rado    | ..... | A24F 47/008<br>131/329  |

(Continued)

*Primary Examiner* — Robert M. Spear  
*Assistant Examiner* — Marissa J Cash  
 (74) *Attorney, Agent, or Firm* — Seyfarth Shaw LLP

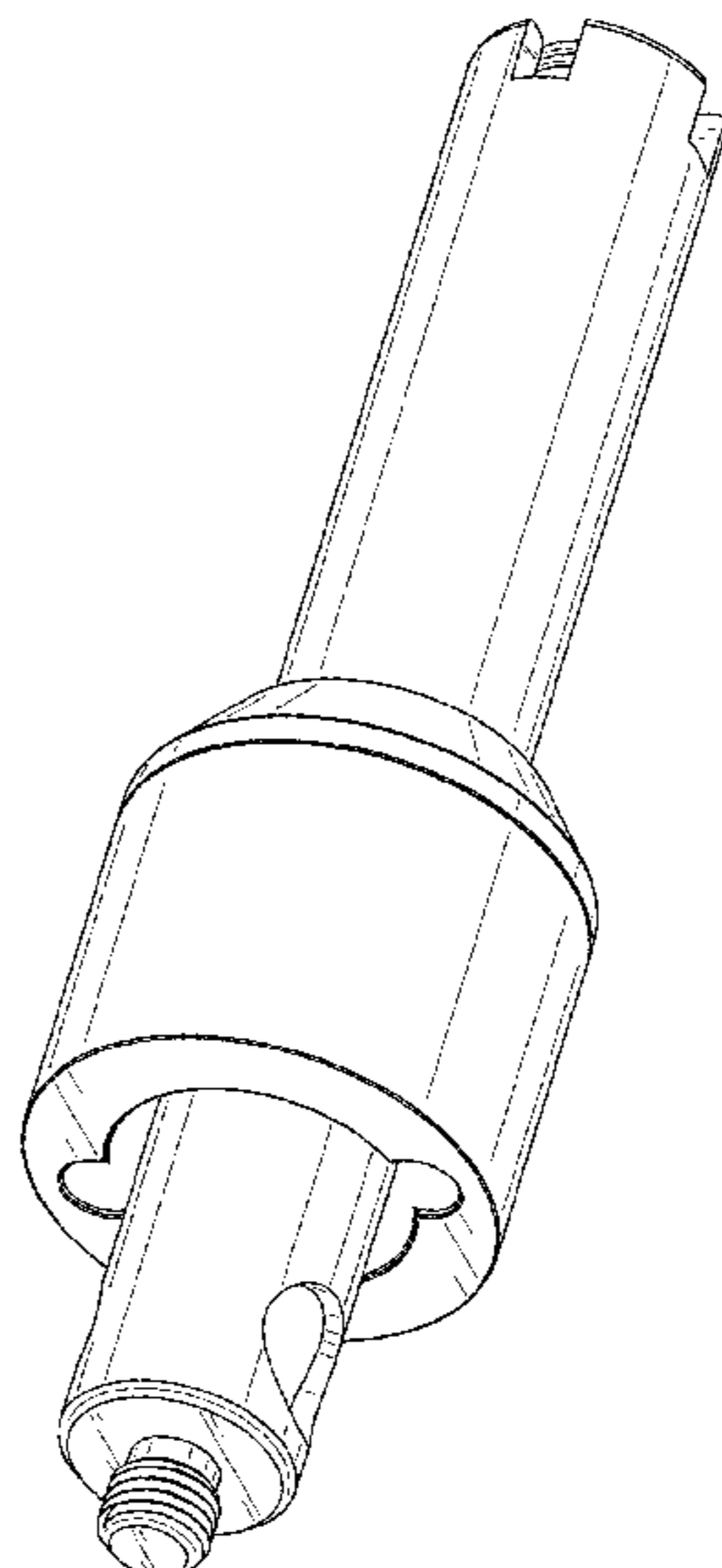
(57) **CLAIM**

The ornamental design for a vaporizer tip, as shown and described.

**DESCRIPTION**

FIG. 1 is a front perspective view of a vaporizer tip;  
 FIG. 2 is a top view thereof;  
 FIG. 3 is a bottom view thereof;  
 FIG. 4 is a front view thereof;  
 FIG. 5 is a rear view thereof;  
 FIG. 6 is a left-side view thereof; and,  
 FIG. 7 is a right-side view thereof.

**1 Claim, 6 Drawing Sheets**



(56)

**References Cited**

U.S. PATENT DOCUMENTS

2016/0121058 A1\* 5/2016 Chen ..... A61M 11/04  
128/200.19  
2016/0144458 A1\* 5/2016 Boldrini ..... B23K 31/02  
228/176  
2016/0150821 A1\* 6/2016 Liu ..... A24F 47/008  
131/329  
2016/0219935 A1\* 8/2016 Qiu ..... A24F 47/008  
2016/0262452 A1\* 9/2016 Zhu ..... A24F 47/008  
2016/0295920 A1\* 10/2016 Liu ..... H05B 3/0014  
2016/0338413 A1\* 11/2016 Li ..... A24F 47/008  
2017/0013881 A1\* 1/2017 Liu ..... A24F 47/008  
2017/0079327 A1\* 3/2017 Wu ..... A24F 47/008  
2017/0105453 A1\* 4/2017 Li ..... A24F 47/008  
2017/0112193 A1\* 4/2017 Chen ..... A24F 47/008  
2017/0119060 A1\* 5/2017 Li ..... A24F 47/008

\* cited by examiner

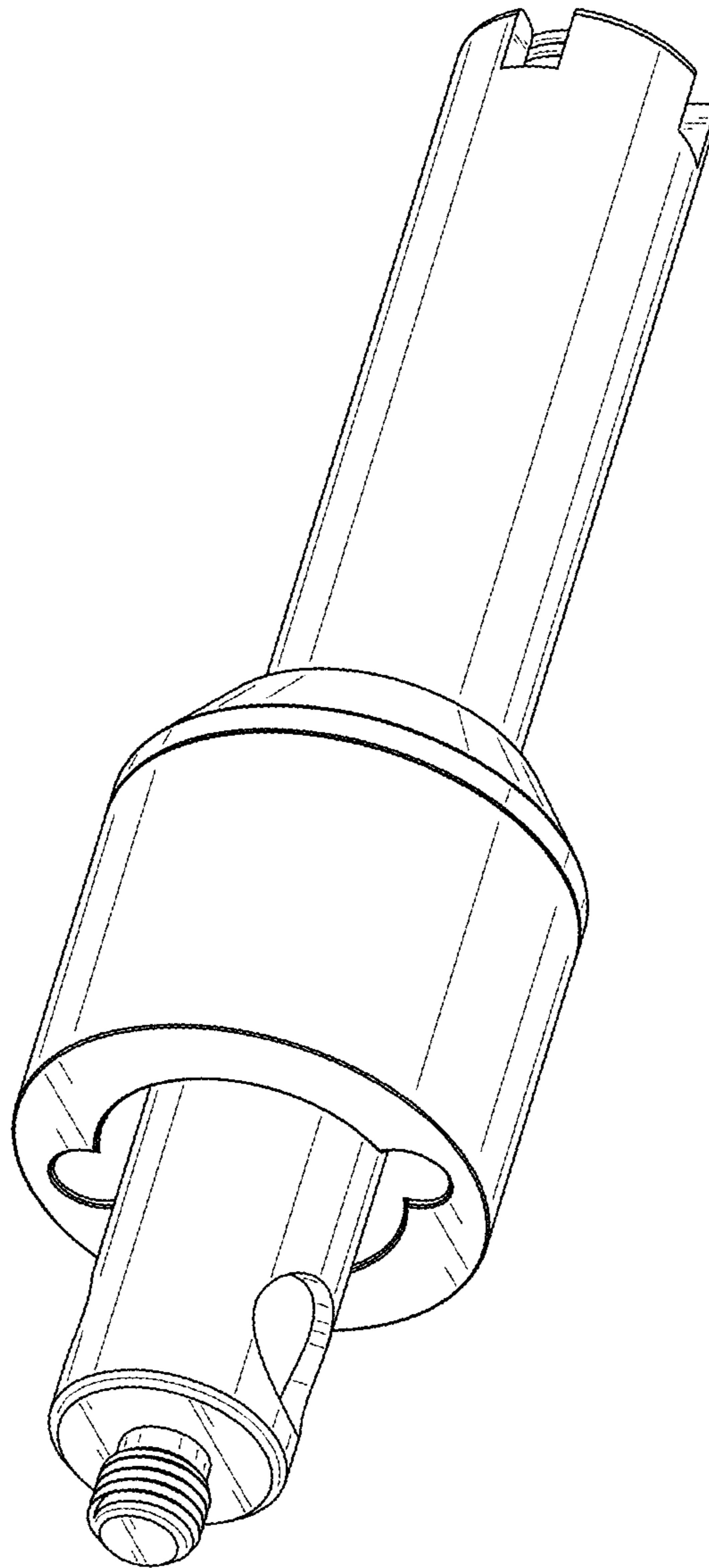


FIG. 1

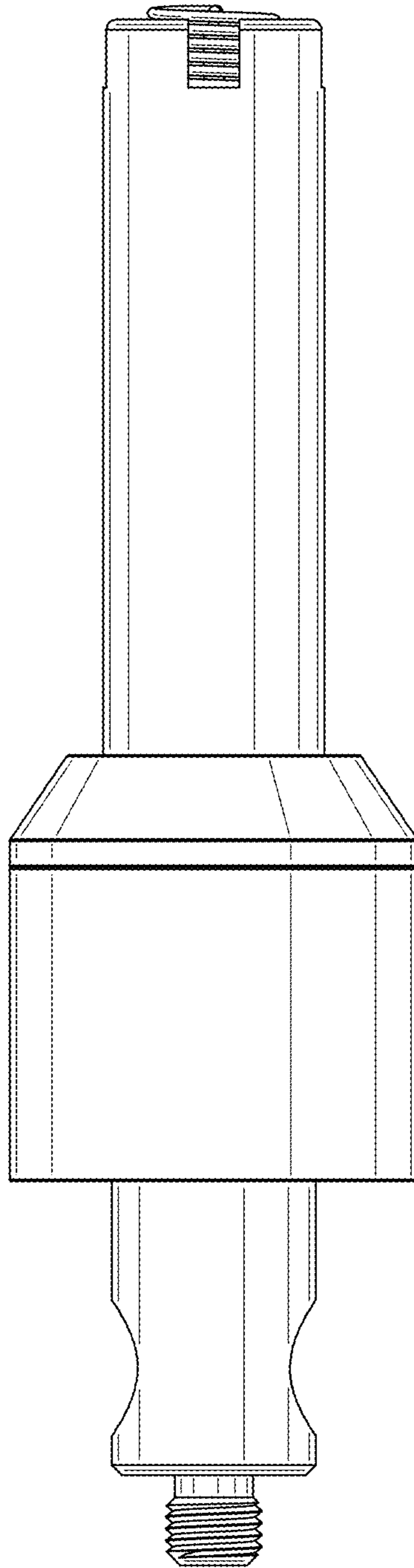


FIG. 2

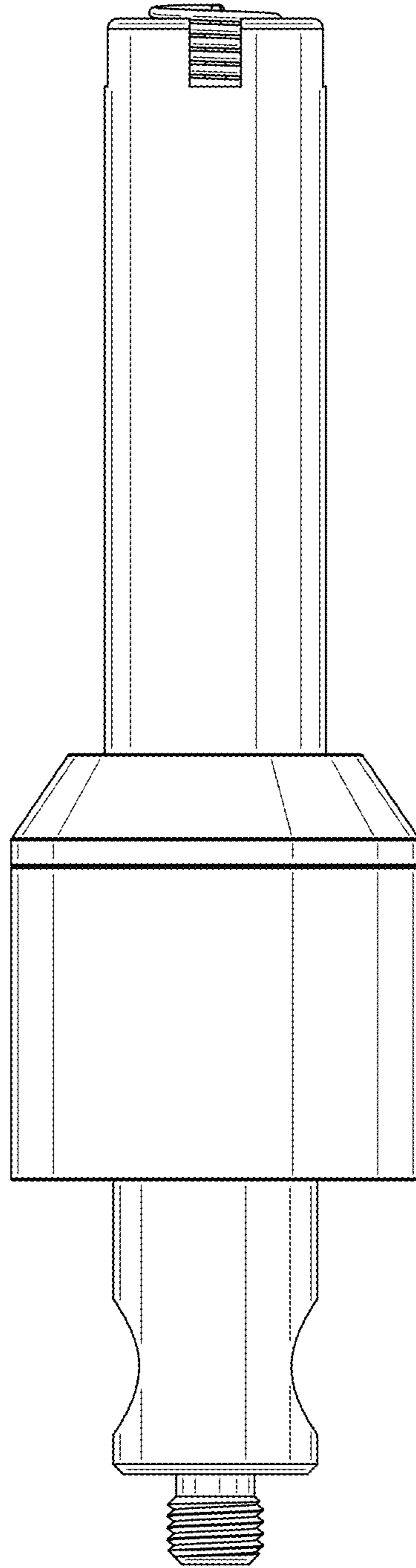


FIG. 3

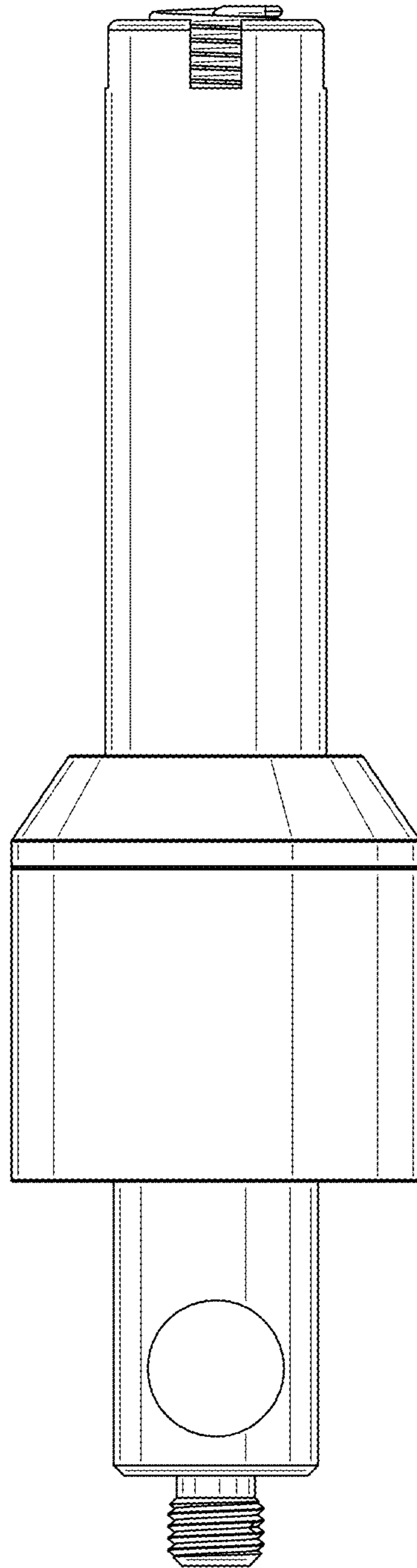


FIG. 4

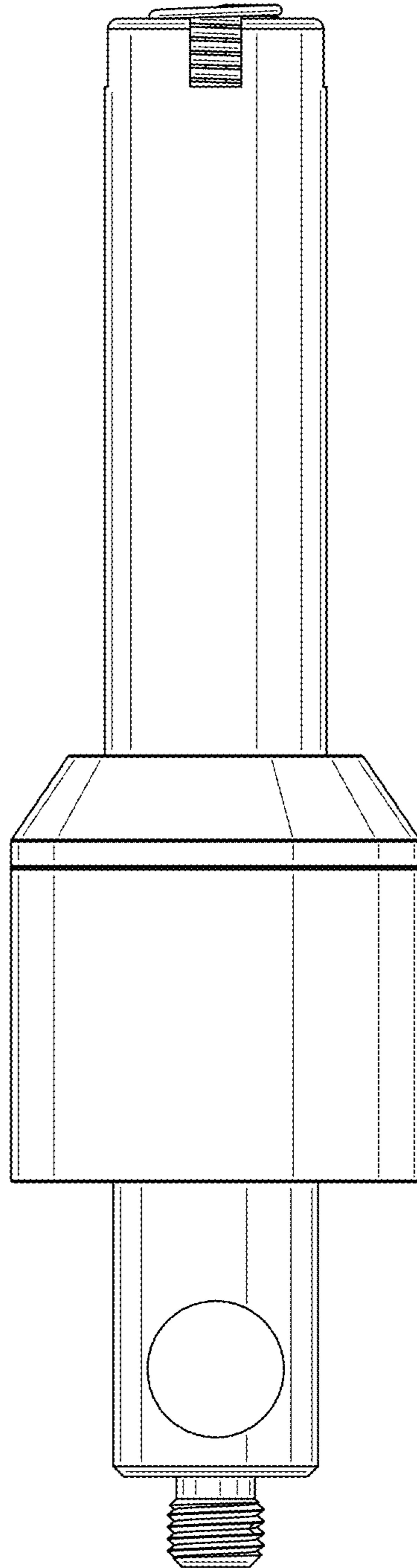


FIG. 5

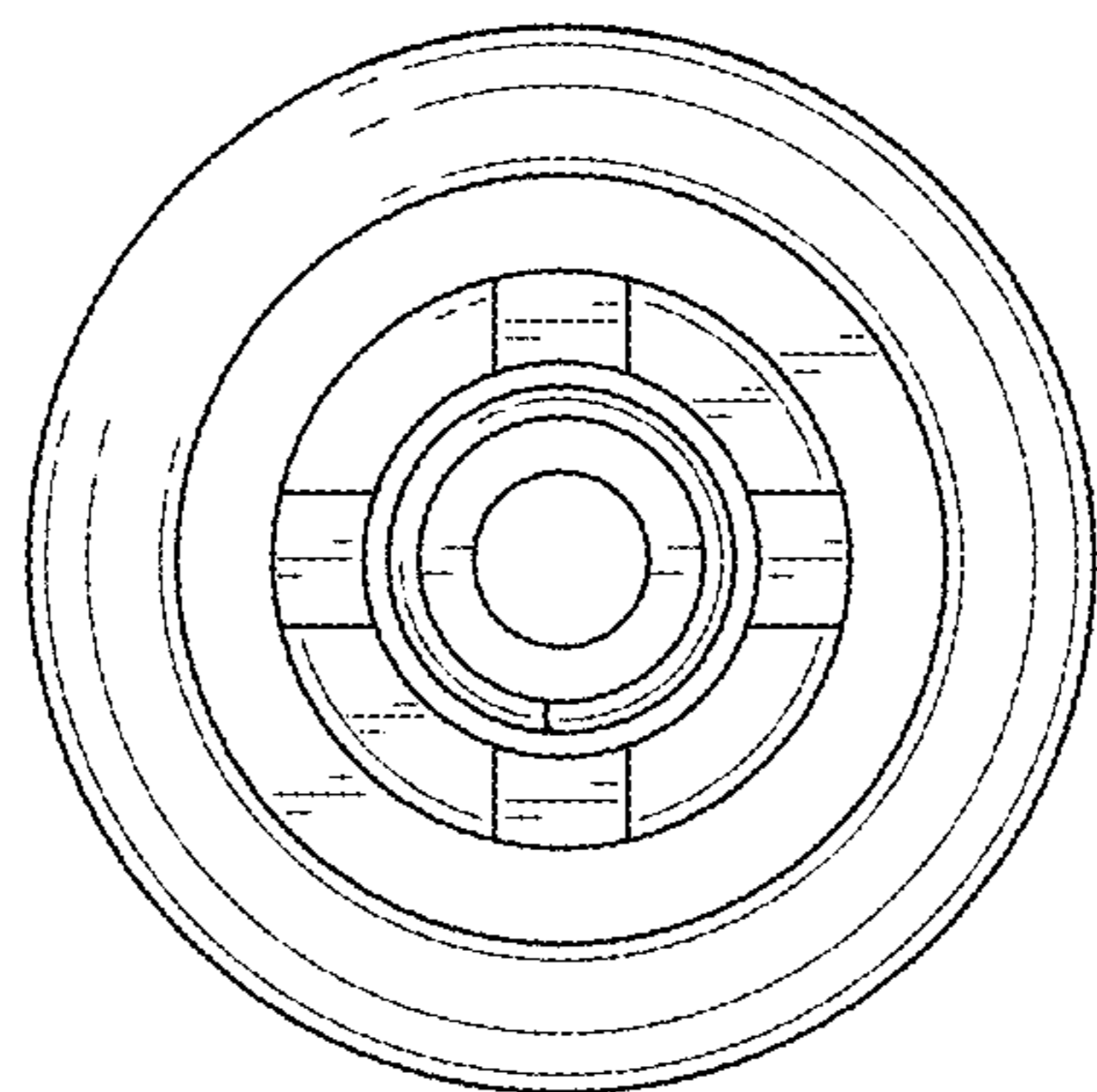


FIG. 6

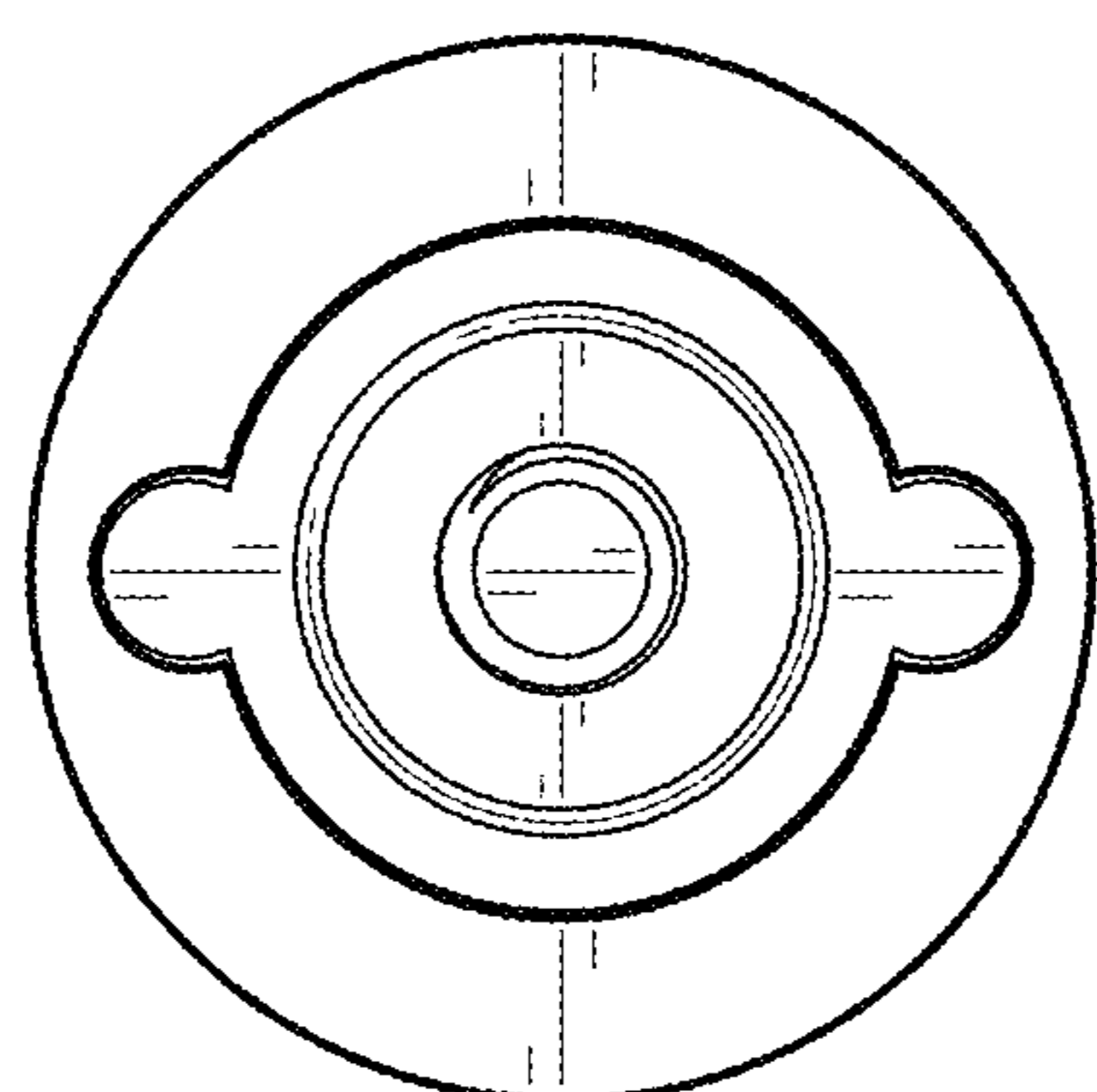


FIG. 7