



US00D814692S

(12) **United States Design Patent** (10) **Patent No.:** **US D814,692 S**  
**Gordin et al.** (45) **Date of Patent:** **\*\* Apr. 3, 2018**

(54) **ADJUSTABLE ARMATURE INCLUDING PIVOTABLE KNUCKLE**

(71) Applicant: **Musco Corporation**, Oskaloosa, IA (US)

(72) Inventors: **Myron Gordin**, Oskaloosa, IA (US);  
**Steven T. Heaton**, Oskaloosa, IA (US);  
**Kenneth G. Lewis, Jr.**, New Sharon, IA (US)

(73) Assignee: **Musco Corporation**, Oskaloosa, IA (US)

(\*\*) Term: **15 Years**

(21) Appl. No.: **29/585,550**

(22) Filed: **Nov. 25, 2016**

(51) **LOC (11) Cl.** ..... **26-05**

(52) **U.S. Cl.**  
USPC ..... **D26/138**

(58) **Field of Classification Search**  
USPC ..... D8/34, 104, 499; D15/10, 17, 28, 76,  
D15/122, 123, 126, 128, 130, 140, 142;  
D26/44, 60-66, 113, 120, 122, 138,  
D26/140-142, 152, 155  
CPC ..... F21V 21/30; F16M 11/10; F16M 11/2014;  
F21W 2131/105  
See application file for complete search history.

(56) **References Cited**

U.S. PATENT DOCUMENTS

2,694,798	A	11/1954	Cole
3,075,168	A	1/1963	Atkin
3,304,037	A	2/1967	Candela
74,210	A	2/1968	Dutton
3,505,515	A	4/1970	Adra
3,533,648	A	10/1970	Thieberger
4,103,323	A	7/1978	Urbanek

(Continued)

OTHER PUBLICATIONS

Fazteck 15 Series Steel Heavy Duty Pivot Hinge, posted on amazon.com, earliest reviewed Mar. 17, 2013, no production date given, [online], [site visited Sep. 8, 2017], Available from Internet, <URL: <https://www.amazon.com/Faztek-without-Locking-Handle-Length/dp/B008MQ9UBO#feature-bullets-btf>>.\*

(Continued)

*Primary Examiner* — Melanie H Tung

(74) *Attorney, Agent, or Firm* — Jessica R. Boer

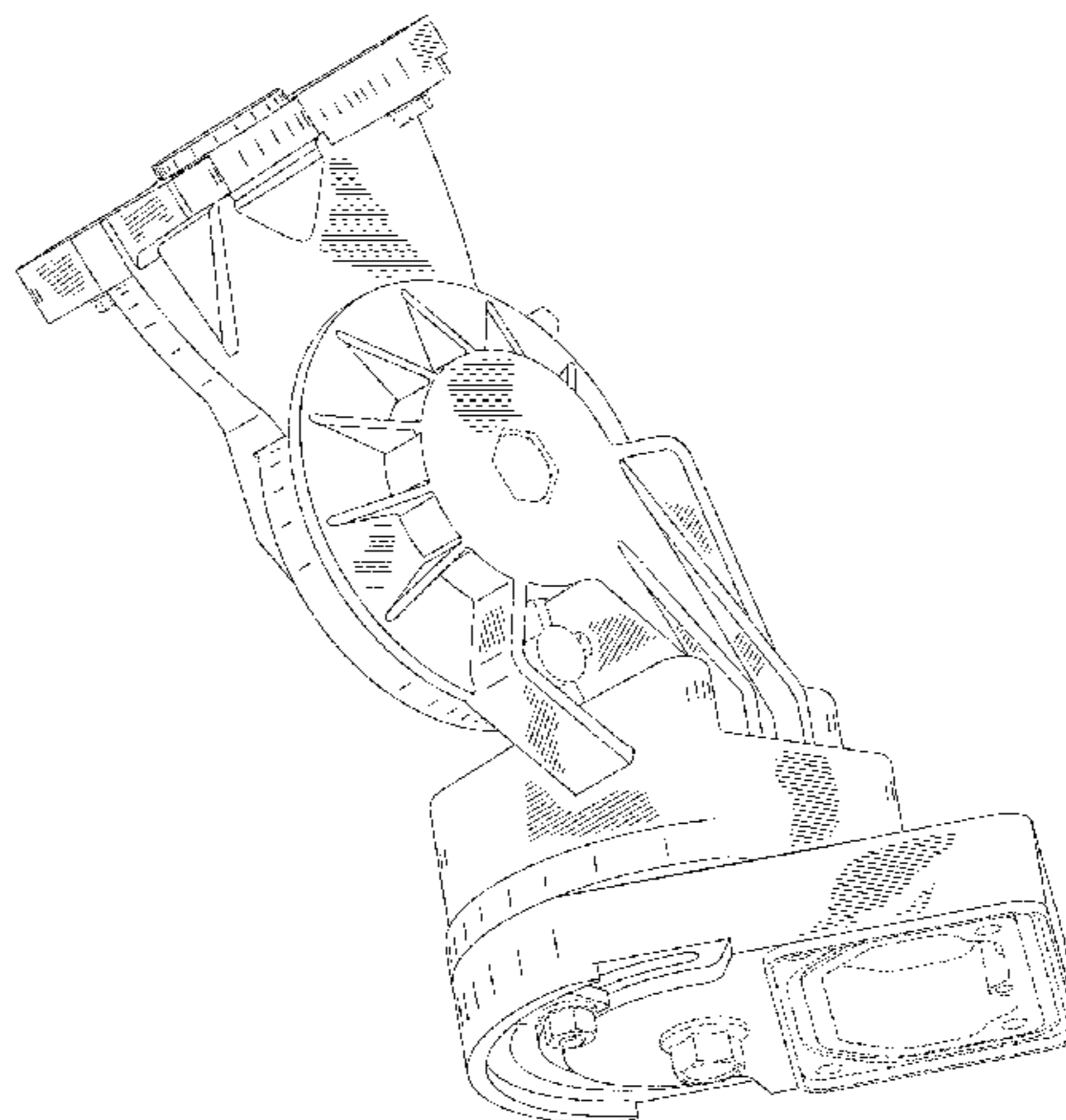
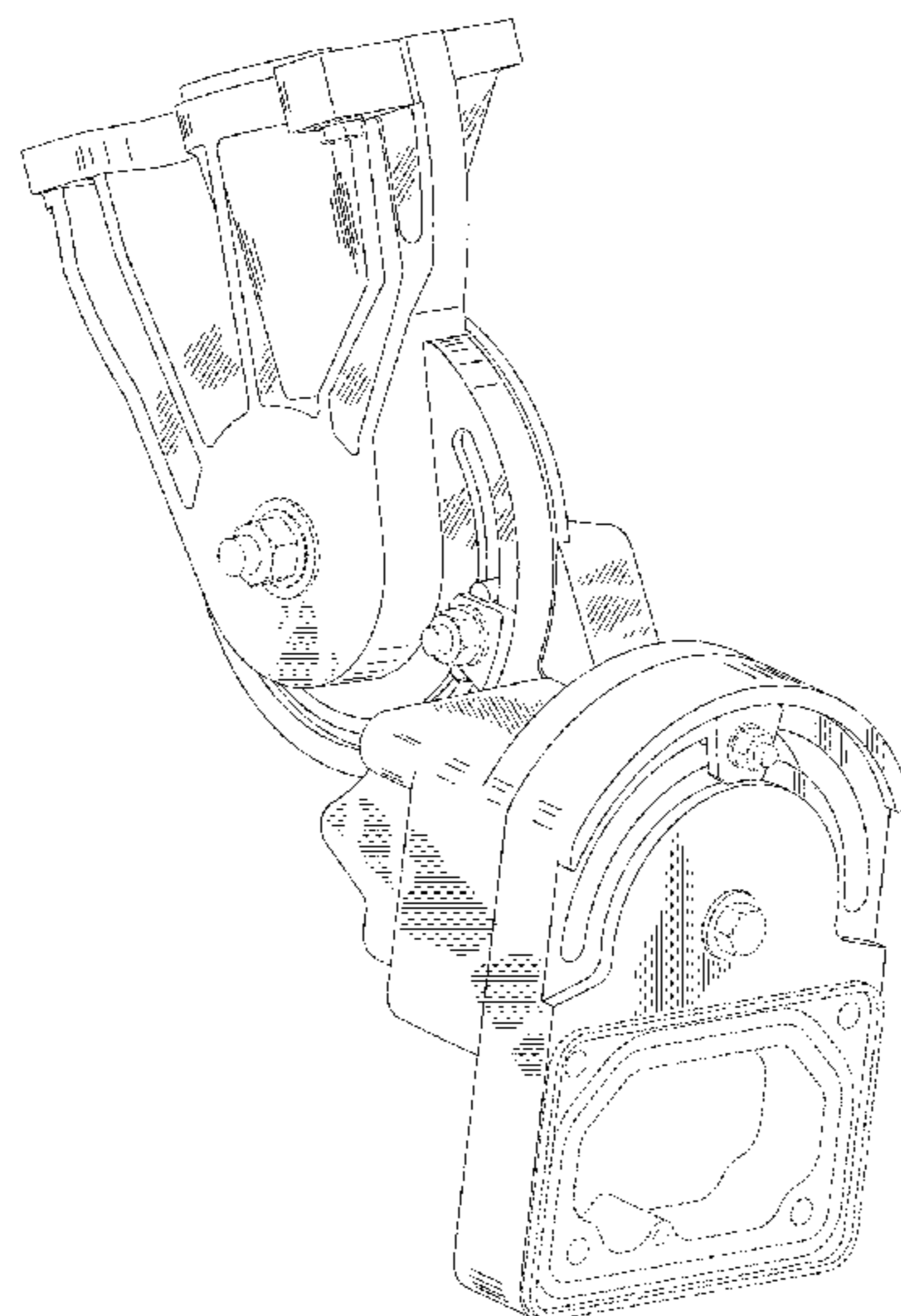
(57) **CLAIM**

The ornamental design for an adjustable armature including pivotable knuckle, as shown and described.

**DESCRIPTION**

FIG. 1 is a perspective view of the claimed design; FIG. 2 is an alternative perspective view of the claimed design; FIG. 3 is a top plan view of FIG. 1; FIG. 4 is a bottom plan view of FIG. 1; FIG. 5 is a front elevation view of FIG. 1; FIG. 6 is a back elevation view of FIG. 1; FIG. 7 is a left side elevation of FIG. 1; FIG. 8 is a right side elevation of FIG. 1; FIG. 9 is a perspective view of the claimed design shown in a typical environment in which it is used, on a minimized scale; FIG. 10 is an alternative perspective view of the claimed design shown in a typical environment in which it is used, on a minimized scale; FIG. 11 is a perspective view of the claimed design in a different operational position; and, FIG. 12 is an alternative perspective view of the claimed design in a different operational position. The broken lines show portions of an adjustable armature including pivotable knuckle that form no part of the claimed design.

**1 Claim, 12 Drawing Sheets**



(56)

References Cited

U.S. PATENT DOCUMENTS

4,184,140 A 1/1980 Frey et al.  
 4,429,297 A 1/1984 Nakatsu  
 4,543,007 A 9/1985 Quiogue  
 D281,779 S 12/1985 Lilly  
 4,614,452 A 9/1986 Wang  
 4,807,935 A 2/1989 King  
 4,949,928 A 8/1990 Hoshino  
 5,062,179 A 11/1991 Huang  
 5,146,808 A 9/1992 Hoshino  
 5,358,352 A 10/1994 Klarhorst  
 5,429,481 A 7/1995 Liu  
 5,520,474 A 5/1996 Liu  
 5,595,440 A 1/1997 Gordin et al.  
 5,620,272 A 4/1997 Sheng  
 5,730,547 A 3/1998 Nogami  
 5,971,652 A 10/1999 Bartlett et al.  
 5,992,566 A 11/1999 Yeh  
 6,089,921 A 7/2000 Chou  
 D444,488 S \* 7/2001 Selic ..... D15/199  
 6,257,668 B1 7/2001 Chou et al.  
 D449,057 S \* 10/2001 Selic ..... D15/199  
 6,805,513 B2 10/2004 Marquina  
 D600,348 S \* 9/2009 Dorre ..... D24/158  
 D659,896 S \* 5/2012 Gordin ..... D26/118

D664,290 S 7/2012 Gordin et al.  
 D749,344 S \* 2/2016 Belitz ..... D6/682.3  
 D751,751 S \* 3/2016 Lockart ..... D26/118  
 D794,244 S \* 8/2017 Heaton ..... D26/138  
 2011/0149582 A1 \* 6/2011 McKee ..... F16M 11/10  
 362/382  
 2014/0092593 A1 \* 4/2014 Gordin ..... F21K 9/58  
 362/232

OTHER PUBLICATIONS

Tool Rail Knucle with VESA Function, posted on cmsergonomics.com, no posted date given, no production date given, [online], [site visited Sep. 8, 2017], Available from Internet, <URL: [http://www.cmsergonomics.com/tool-rail-knuckle-with-vesa-function-\\_270/](http://www.cmsergonomics.com/tool-rail-knuckle-with-vesa-function-_270/)>.\*  
 Panavise ActionGrip, posted on amazon.com, first available Aug. 27, 2014, no production date given, [online], [site visited Sep. 8, 2017], Available from Internet, <URL: <https://www.amazon.com/Panavise-ActionGrip-13120-Knuckle-Suction/dp/B00N9PPOSG>>.\*  
 Gordin, Myron, et al., Pending Design U.S. Appl. No. 29/566,248 Adjustable Armature Including Pivotal Knuckle filed May 27, 2016.

\* cited by examiner

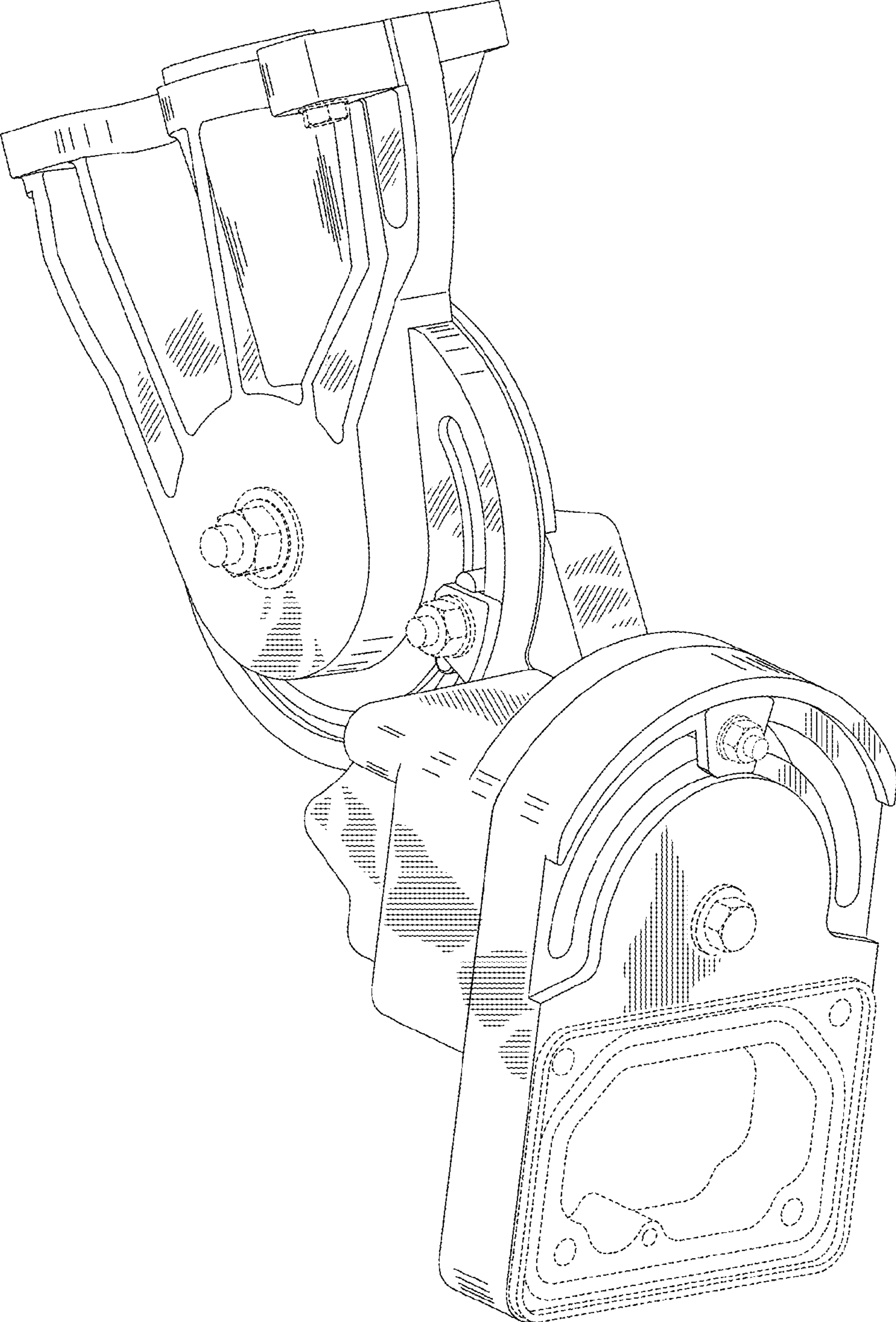


Fig 1



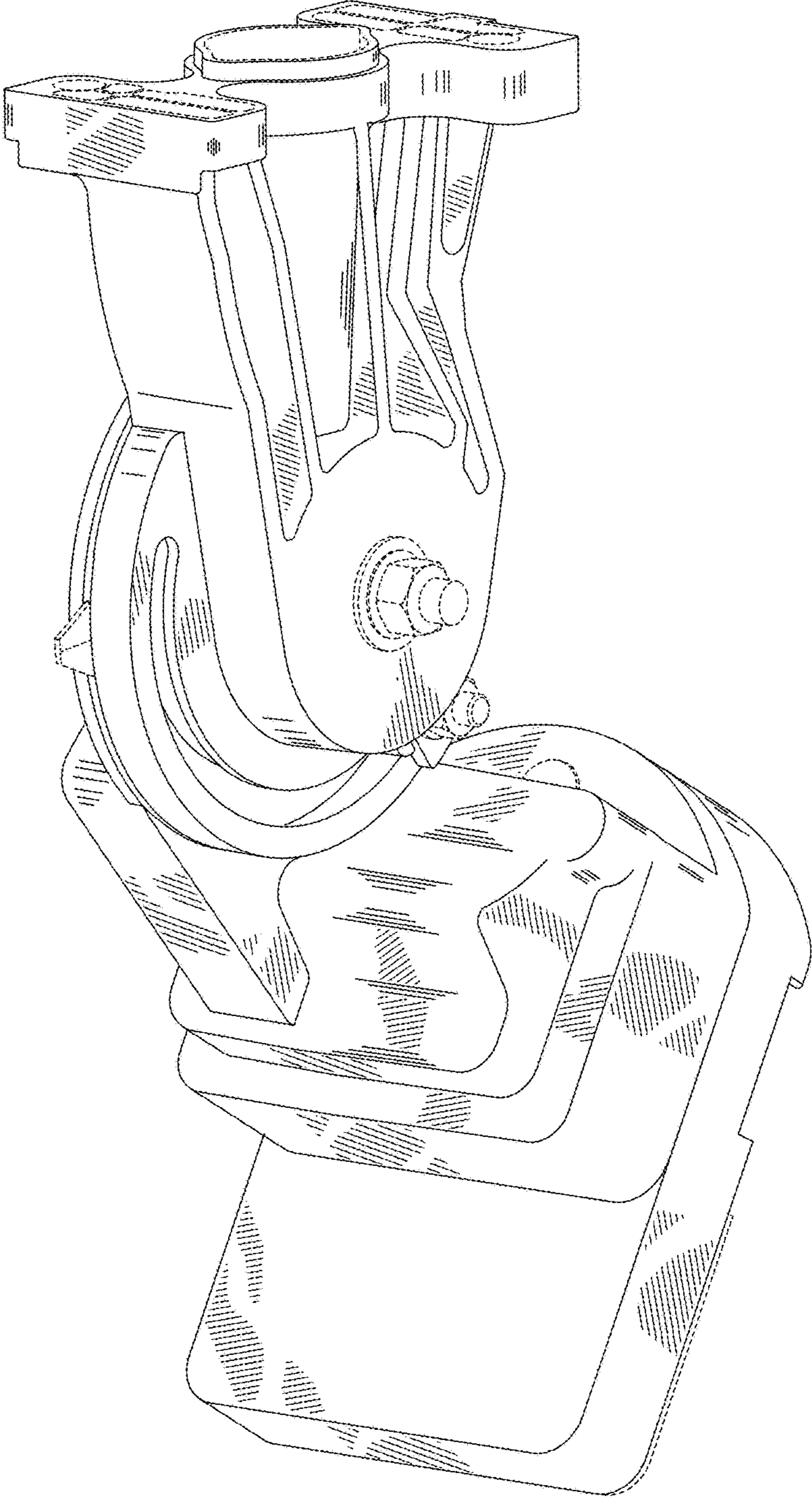


Fig 2

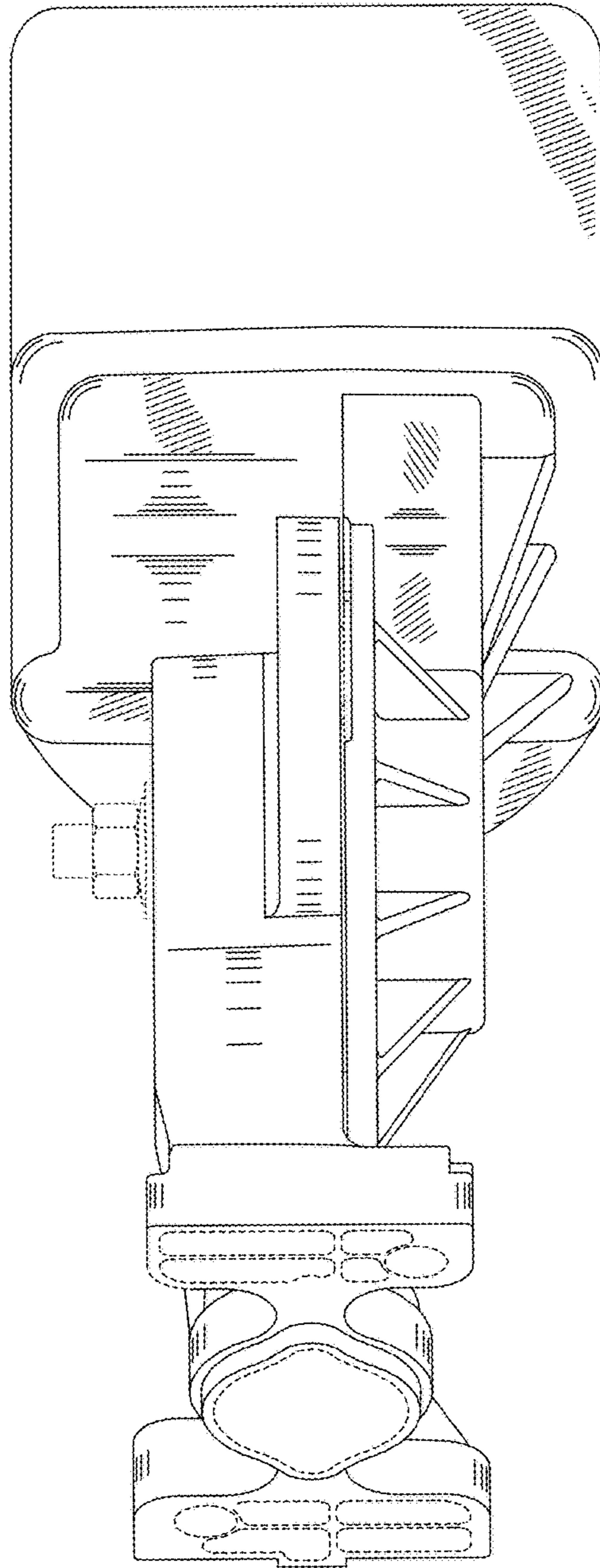


Fig 3

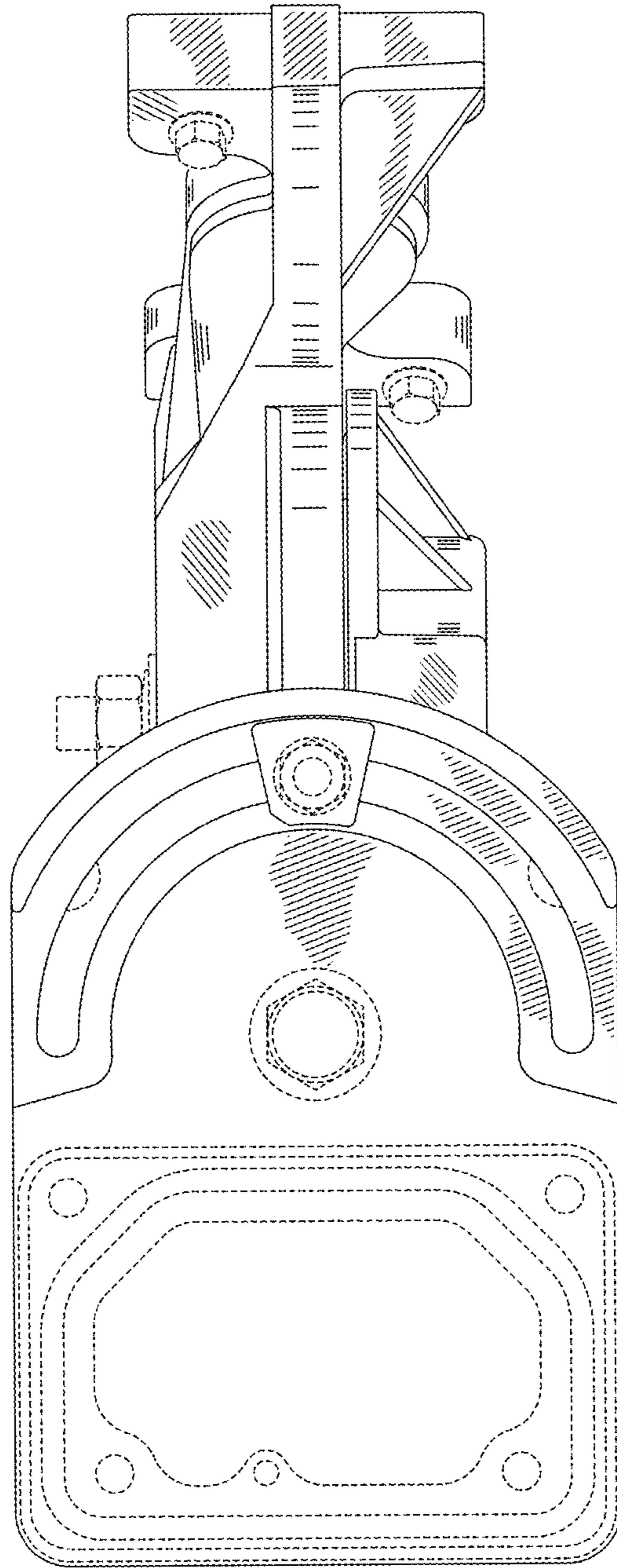


Fig 4

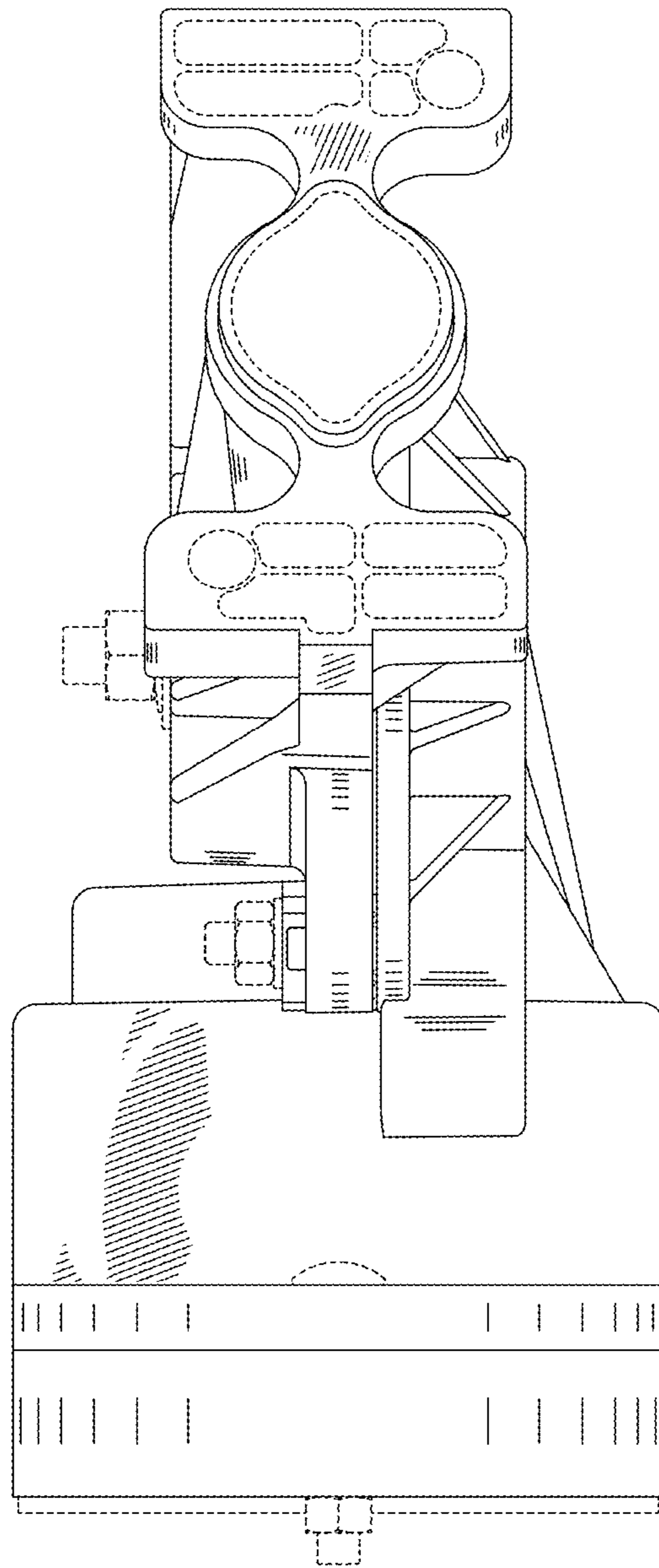


Fig 5

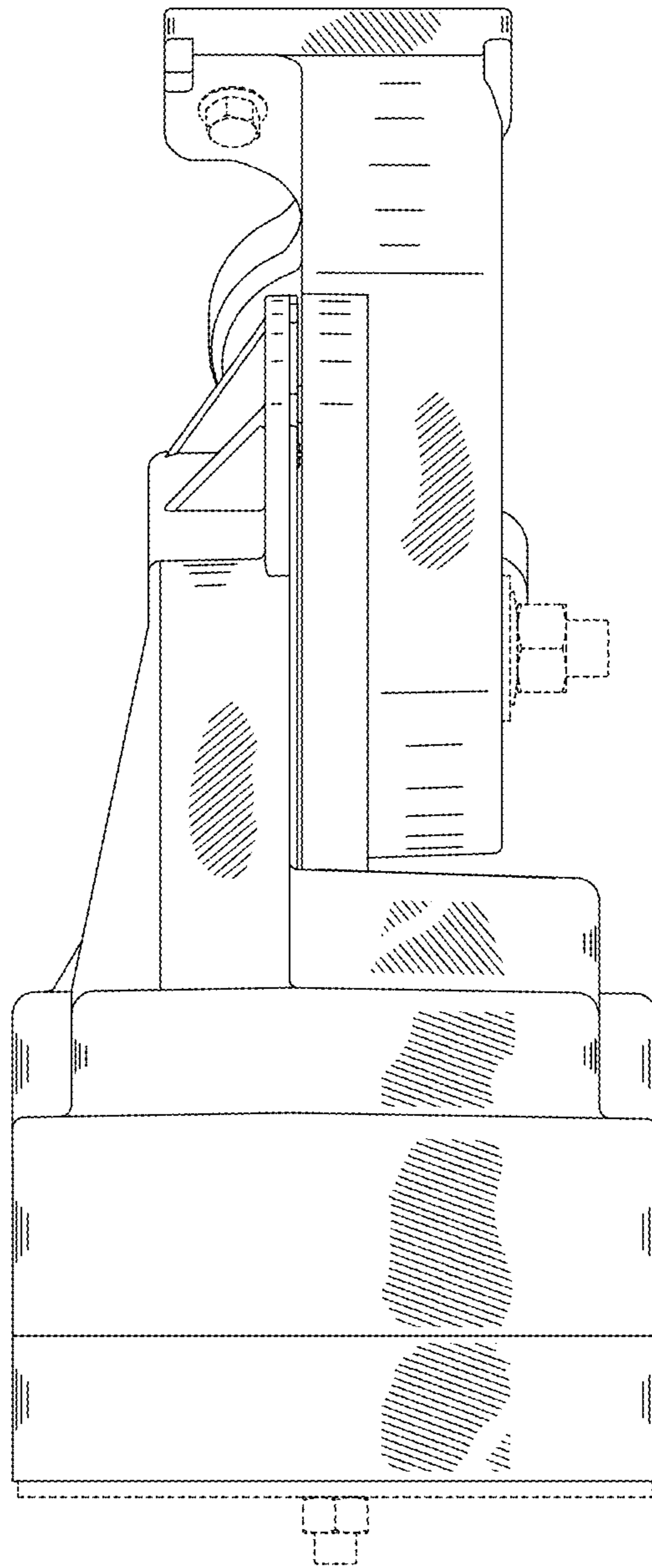


Fig 6



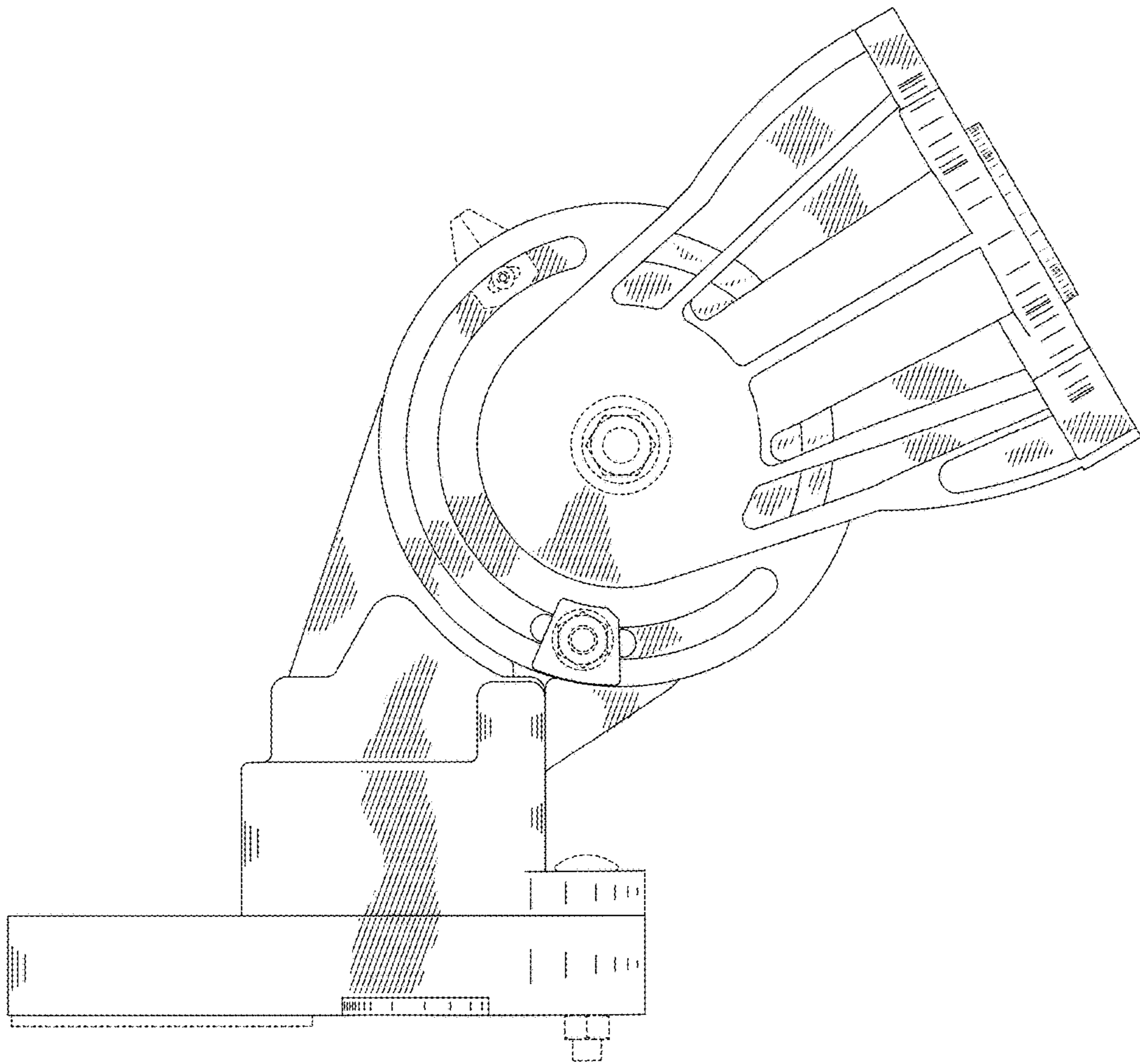


Fig 7

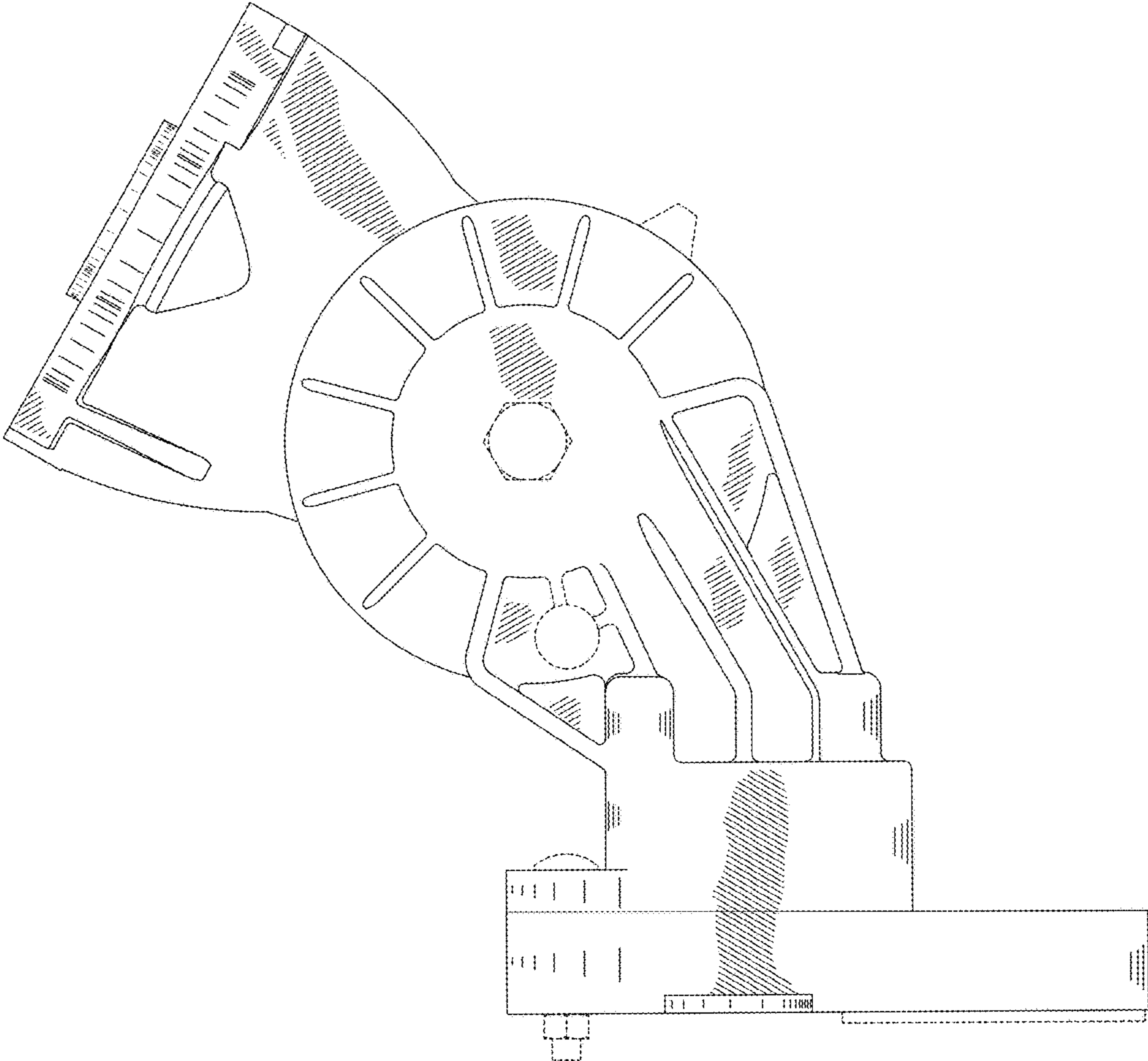


Fig 8

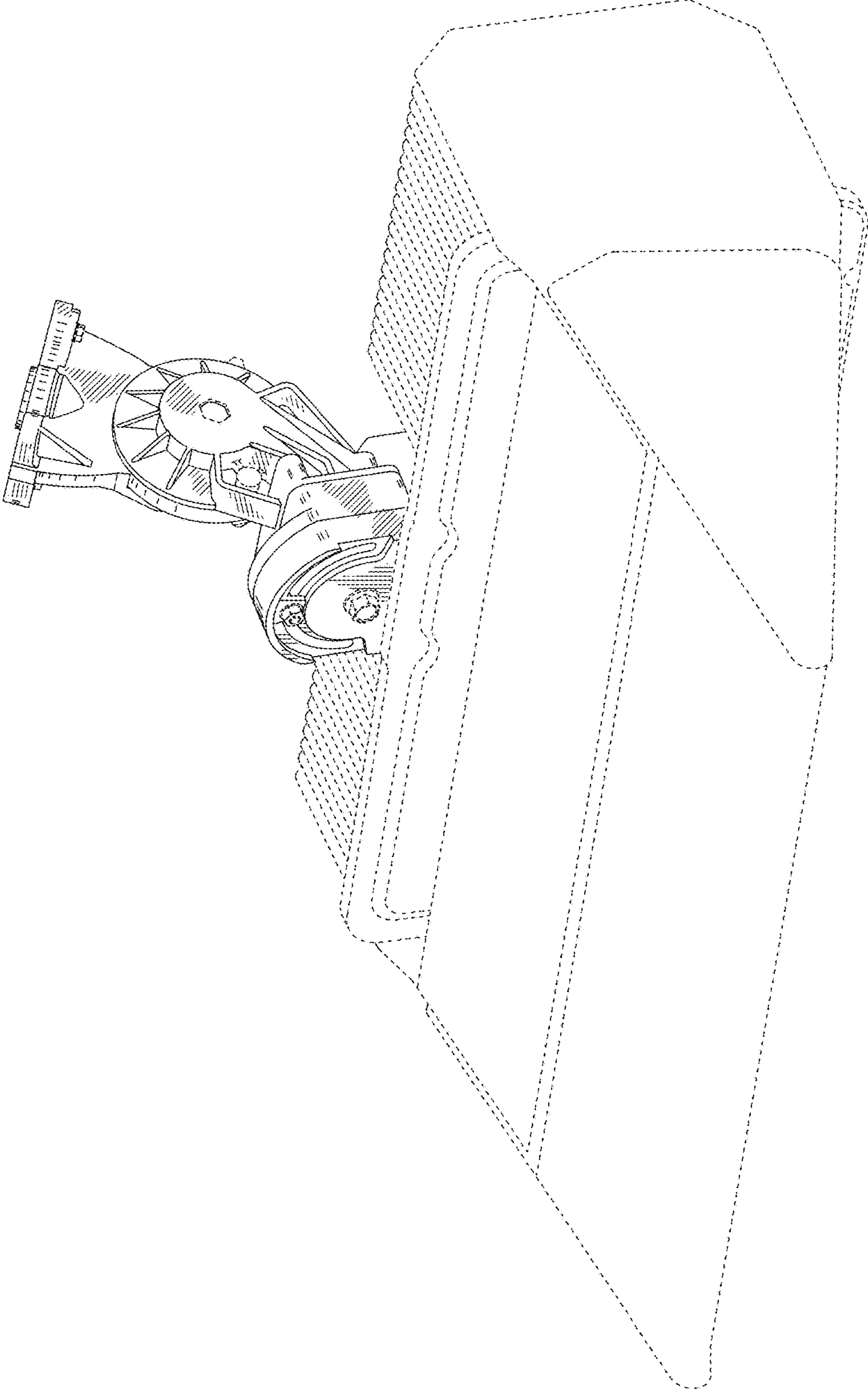


Fig 9

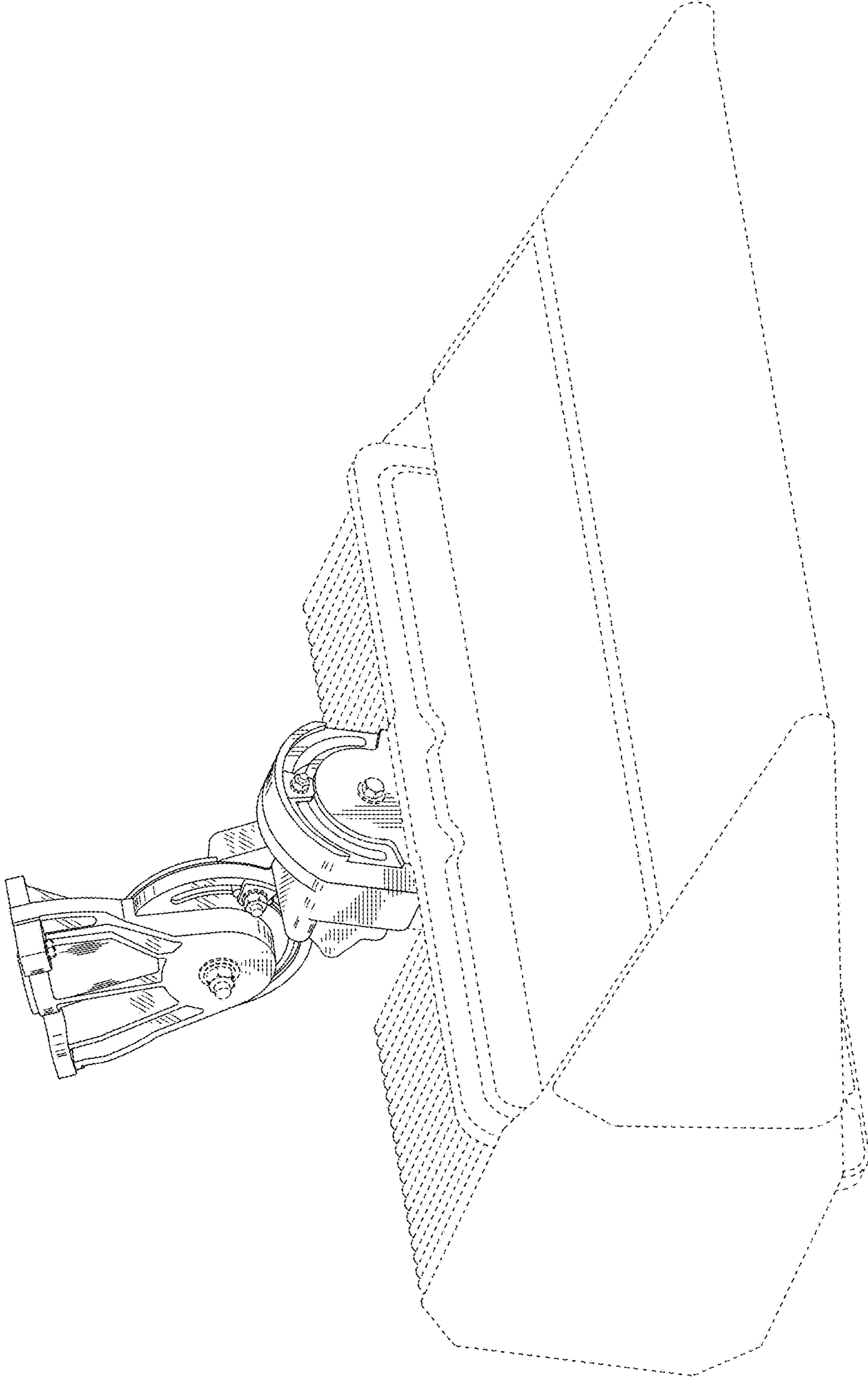


Fig 10



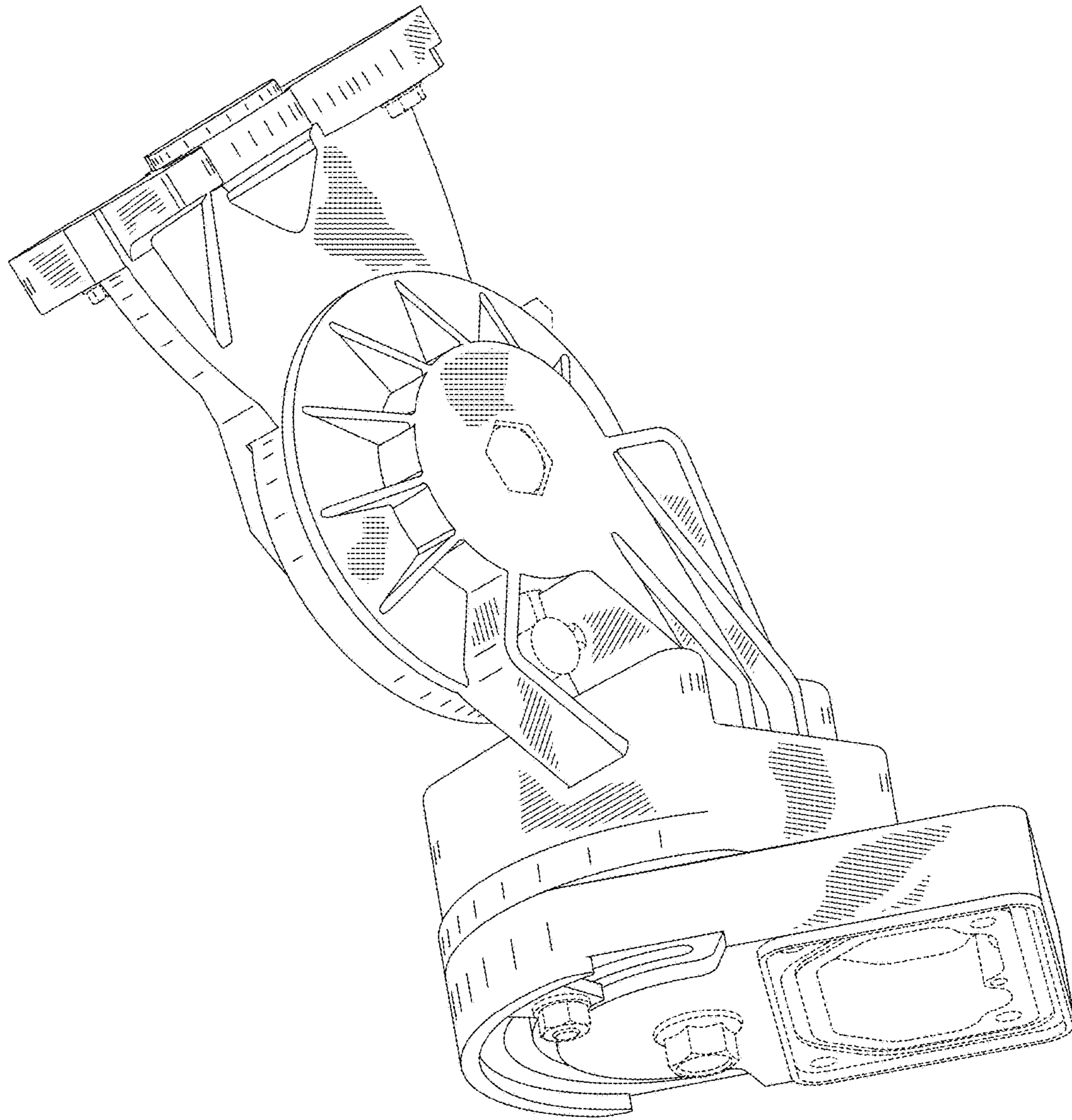


Fig 11

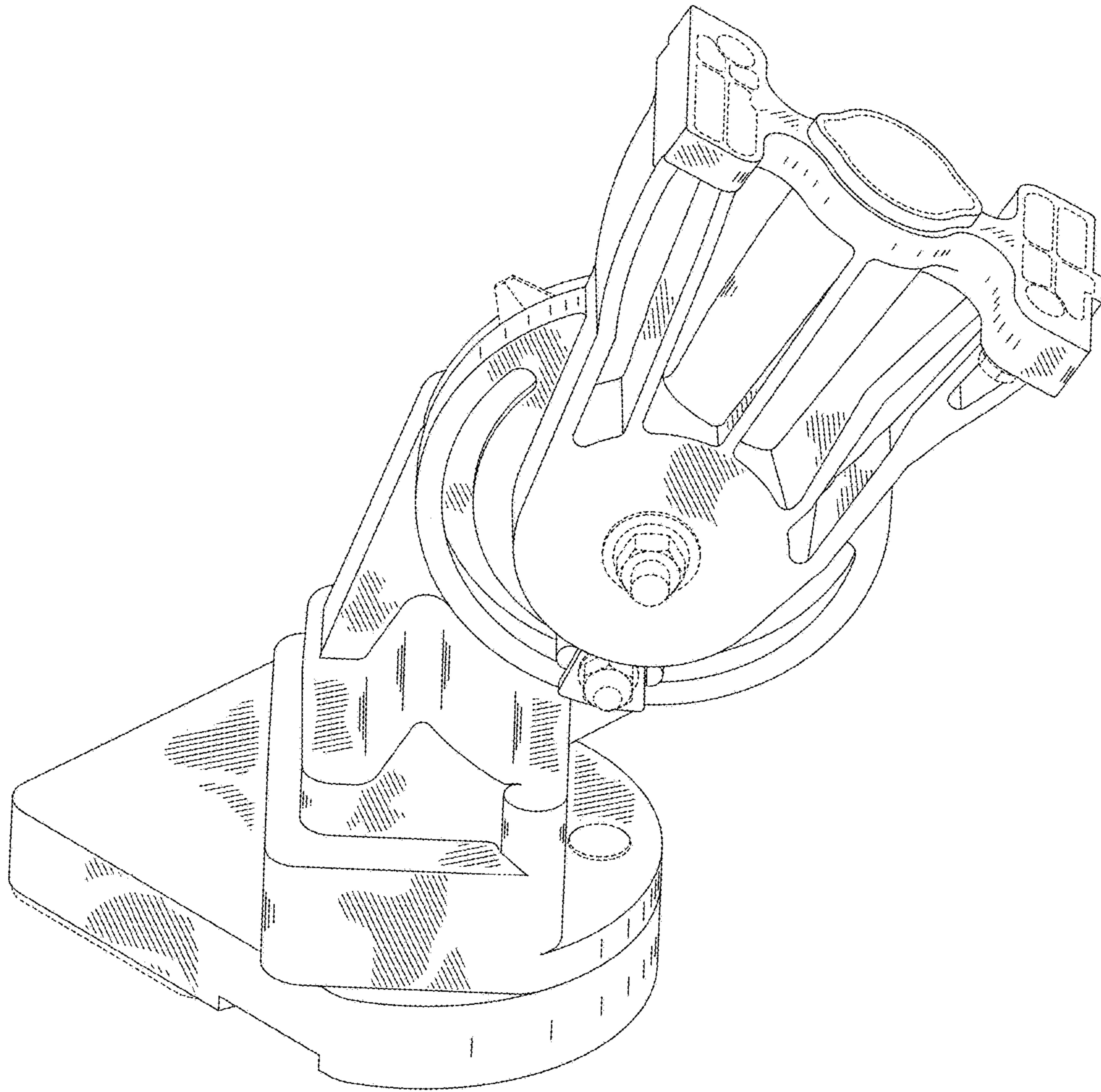


Fig 12