



US00D814691S

(12) **United States Design Patent** (10) **Patent No.:** **US D814,691 S**  
**Clark** (45) **Date of Patent:** **\*\* Apr. 3, 2018**

(54) **LIGHTING FIXTURE**

FOREIGN PATENT DOCUMENTS

(71) Applicant: **3form, LLC**, Salt Lake City, UT (US)

JP 2003217332 7/2003  
JP 2011159472 8/2011

(72) Inventor: **Bruce Clark**, Redmond, WA (US)

(Continued)

(73) Assignee: **3Form, LLC**, Salt Lake City, UT (US)

OTHER PUBLICATIONS

(\*\*) Term: **15 Years**

International Search Report and Written Opinion for PCT/US2013/070236 dated Mar. 11, 2014.

(21) Appl. No.: **29/530,073**

(Continued)

(22) Filed: **Jun. 12, 2015**

**Related U.S. Application Data**

*Primary Examiner* — George D. Kirschbaum

*Assistant Examiner* — Natasha Vujcic

(63) Continuation of application No. 14/646,232, filed as application No. PCT/US2013/070236 on Nov. 15, 2013, now Pat. No. 9,644,820, application No. 29/530,073, filed on Jan. 15, 2018, which is a continuation-in-part of application No. 14/912,396, filed as application No. PCT/US2014/065816 on Nov. 14, 2014, which is a continuation of application No. 61/905,176, filed on Nov. 16, 2013.

(74) *Attorney, Agent, or Firm* — Workman Nydegger

(51) **LOC (11) Cl.** ..... **26-05**

(57) **CLAIM**

(52) **U.S. Cl.**

The ornamental design for a lighting fixture, as shown and described.

USPC ..... **D26/138**

(58) **Field of Classification Search**

**DESCRIPTION**

USPC ..... D26/75, 76, 78, 79, 80, 81, 82, 83, 85, D26/86, 88, 90, 113, 118, 119, 120, 121, D26/122, 138, 139, 140, 141, 142  
CPC ..... F21S 2/00; F21S 4/00; F21S 4/003; F21S 4/005; F21S 4/006; F21S 4/007; F21S 4/008; F21S 6/00; F21S 8/00; F21S 8/024; F21S 8/026; F21S 8/031; F21S 8/033; F21S 8/035–8/037; F21S 8/04; F21S 8/043; F21S 8/063

FIG. 1 is a bottom perspective view of a lighting fixture; FIG. 2 is a top perspective view thereof; FIG. 3 is an enlarged perspective view of the highlighted “3” portion of FIG. 1 thereof; FIG. 4 is an enlarged perspective view of the highlighted “4” portion of FIG. 1 thereof; FIG. 5 is a front elevational view thereof; FIG. 6 is a rear elevational view thereof; FIG. 7 is a left elevational view thereof; FIG. 8 is a right elevational view thereof; FIG. 9 is a top plan view thereof; and, FIG. 10 is a bottom plan view thereof.

See application file for complete search history.

The broken lines in the drawings illustrates portions of the lighting fixture which forms no part of the claimed design.

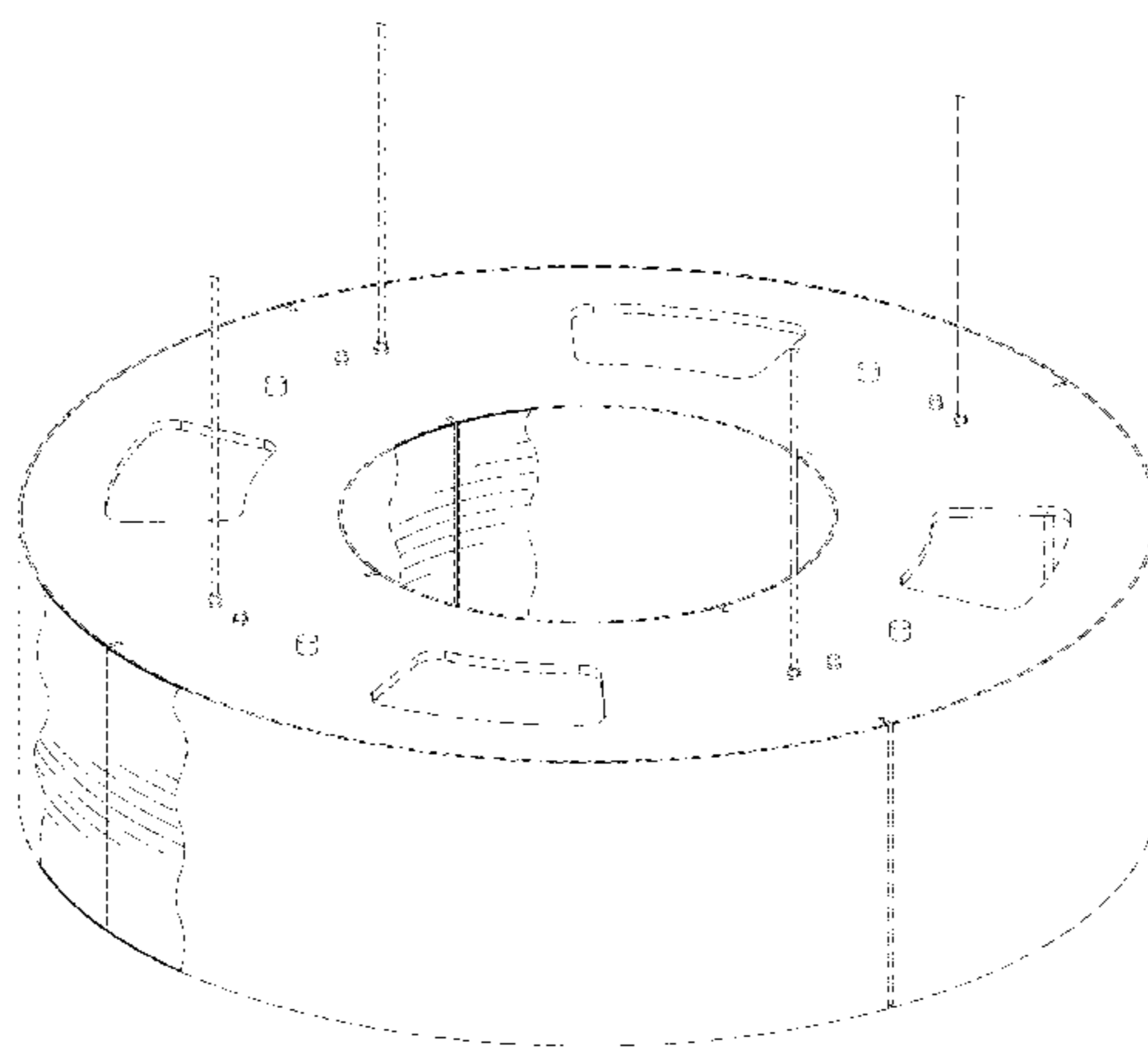
(56) **References Cited**

U.S. PATENT DOCUMENTS

D97,213 S 11/1869 Stone  
D101,033 S 3/1870 Glatthar et al.  
D101,034 S 3/1870 Glatthar et al.

(Continued)

**1 Claim, 8 Drawing Sheets**



(56)

References Cited

U.S. PATENT DOCUMENTS

D136,518 S 3/1873 Hofstetter  
 1,963,218 A 6/1934 Wakefield  
 D166,671 S 5/1952 Jernigan  
 3,385,963 A 5/1968 Washick  
 D264,136 S 4/1982 Castiglioni  
 4,716,671 A 1/1988 Gross  
 4,726,781 A 2/1988 Bernhart  
 4,799,526 A 1/1989 Reeves  
 5,226,724 A 7/1993 Kanarek  
 5,282,600 A 2/1994 Weiss  
 5,532,073 A 7/1996 Hirata  
 5,532,912 A 7/1996 Bendit  
 5,702,180 A 3/1997 Huang  
 5,658,066 A 8/1997 Hirsch  
 5,662,412 A 9/1997 Glendmyer  
 D387,459 S 12/1997 Cool  
 5,758,588 A 6/1998 Orfali  
 5,989,015 A 11/1999 Guerin  
 6,025,549 A 2/2000 Harris  
 6,302,566 B1 10/2001 Cohon  
 6,341,880 B1 1/2002 Hsu  
 6,530,674 B2 3/2003 Grierson  
 D508,580 S 8/2005 Norris et al.  
 6,964,507 B2 11/2005 Mohacsi  
 6,984,055 B2 1/2006 McCarthy  
 D523,328 S 6/2006 Ramos  
 D523,771 S 6/2006 Kwan  
 D525,384 S 7/2006 Waycaster  
 D525,738 S 7/2006 Waycaster  
 D536,468 S 2/2007 Crosby  
 D541,970 S 5/2007 Blackman  
 D559,994 S 1/2008 Nagakubo  
 D566,320 S 4/2008 Kim  
 7,380,957 B2 6/2008 Lanczy  
 7,504,159 B1 3/2009 Suare  
 D591,444 S 4/2009 Beno et al.  
 D592,793 S 5/2009 Chandler  
 D595,888 S 7/2009 Sabemig  
 D596,452 S 7/2009 Komorski  
 D600,394 S 9/2009 Ambruster  
 D603,083 S 10/2009 Trumble  
 D605,333 S 12/2009 Miranda  
 7,766,536 B2 8/2010 Peifer  
 D641,520 S 7/2011 Grajcar  
 D653,794 S 2/2012 Friedman  
 D665,525 S 8/2012 Patterson  
 D666,354 S 8/2012 Bracher  
 D668,371 S 10/2012 Alpasian  
 D671,676 S 11/2012 Komarov  
 D676,587 S \* 2/2013 Fisher ..... D26/58  
 D676,996 S \* 2/2013 Gismondi ..... D26/67  
 D684,294 S \* 6/2013 Goodson ..... D26/138  
 D686,363 S \* 7/2013 Smith ..... D26/118  
 D687,589 S 8/2013 Wick  
 8,517,845 B2 8/2013 Shin  
 D692,391 S 10/2013 Kim  
 D697,662 S \* 1/2014 Patterson ..... D26/118  
 D698,983 S 2/2014 Rampolla  
 8,714,775 B2 5/2014 Bracher  
 D708,391 S \* 7/2014 Coury ..... D26/142  
 D709,235 S 7/2014 Chu  
 D716,486 S 10/2014 Martin  
 D728,145 S 4/2015 Shiqiang  
 9,028,114 B2 5/2015 Smith  
 D745,206 S \* 12/2015 Clark ..... D26/104  
 D760,420 S 6/2016 Tomlinson  
 D761,991 S \* 7/2016 Clark ..... F21V 1/22  
 D764,095 S \* 8/2016 Clark ..... D26/88  
 D768,905 S 10/2016 Sonneman  
 D768,906 S 10/2016 Sonneman  
 D773,099 S 11/2016 Sonneman  
 D774,239 S 12/2016 Pardo  
 D783,197 S 4/2017 Arndt  
 D786,481 S 5/2017 Wiedemer

9,644,820 B2 \* 5/2017 Clark ..... F21V 1/22  
 D791,385 S 7/2017 Sonneman  
 D791,401 S 7/2017 Sonneman  
 D792,006 S 7/2017 Sonneman  
 D792,633 S 7/2017 Sonneman  
 D797,977 S 9/2017 Farzan  
 D797,982 S 9/2017 Sonneman  
 2001/0046621 A1 11/2001 Colli  
 2002/0071281 A1 6/2002 Dickson  
 2004/0027830 A1 2/2004 Chen  
 2010/0149791 A1 \* 6/2010 McCane ..... F21S 8/04  
 362/147  
 2011/0170294 A1 7/2011 Mier-Langner  
 2012/0081919 A1 4/2012 Parker  
 2013/0094225 A1 4/2013 Lechner  
 2014/0022759 A1 1/2014 Li  
 2014/0153257 A1 6/2014 Smith  
 2014/0334178 A1 11/2014 Zharov  
 2015/0300605 A1 \* 10/2015 Clark ..... F21V 1/22  
 362/367  
 2016/0061429 A1 3/2016 Waalkes  
 2016/0245488 A1 \* 8/2016 Clark ..... F21S 2/00  
 2016/0281940 A1 9/2016 Kim  
 2017/0138561 A1 5/2017 Van Strander

FOREIGN PATENT DOCUMENTS

KR 2020100007653 7/2010  
 KR 2020120007760 11/2012  
 WO 2013006790 1/2013  
 WO 2013058961 4/2013  
 WO 2014081621 5/2014  
 WO 2015073907 5/2015  
 WO 2015184156 12/2015

OTHER PUBLICATIONS

Non-Final Office Action for U.S. Appl. No. 14/646,232 dated May 2, 2016.  
 Final Office Action U.S. Appl. No. 14/646,232 dated Dec. 15, 2016.  
 Office Action in U.S. Appl. No. 15/076,852 dated Jun. 2, 2017.  
 Office Action in U.S. Appl. No. 29/560,673 dated May 10, 2017.  
 Light art (available online Oct. 21, 2013) Retrieved from the internet Mar. 16, 2017, retrieved from the internet URL: [www.youtube.com](http://www.youtube.com) (search "Lightart.com").  
 Tin eye reference (available online Oct. 8, 2014) Retrieved from the internet Mar. 23, 2017, retrieved from the internet URL: <https://tineye.com/search/cb9bd08581564e1b2247fa8b78f73b92f57cc422/> Reference internet site URL: <https://www.architonic.com/en/product/henge-light-ring-medium/1149533>.  
 Ring shade 32 LED Pendant (available online Mar. 28, 2015) Retrieved from the internet Apr. 8, 2017, retrieved from the internet URL: <https://web-beta.archive.org/web/20150328234600/http://www.sonnemanawayoflight.com/ringshade32ledpendant-p-922.html>.  
 Light in the Box (available online Dec. 30, 2014) Retrieved from the internet Mar. 16, 2017, retrieved from the internet URL: [https://www.amazon.com/LightInTheBox-RingHome-Chandeliers-Lighting-110-120V/dp/B00RL1N79W/ref=pd\\_bxgy\\_60\\_img\\_3?\\_encoding=UTF8&pd\\_rd\\_i=B00RL1N79W&pd\\_rd\\_r=0K15VB464BCF6J7RV59C&pd\\_rd\\_w=3rhz3&pd\\_rd\\_wg=r7IJv&psc=1&refRID=0K15VB4](https://www.amazon.com/LightInTheBox-RingHome-Chandeliers-Lighting-110-120V/dp/B00RL1N79W/ref=pd_bxgy_60_img_3?_encoding=UTF8&pd_rd_i=B00RL1N79W&pd_rd_r=0K15VB464BCF6J7RV59C&pd_rd_w=3rhz3&pd_rd_wg=r7IJv&psc=1&refRID=0K15VB4).  
 International Search Report & Written Opinion for application No. PCT/US14/65816 dated Feb. 19, 2015.  
 International Search Report & Written Opinion for application No. PCT/US2015/033014 dated Sep. 8, 2015.  
 Office Action in U.S. Appl. No. 14/767,890 dated May 12, 2017.  
 Ex Parte Quayle Action for U.S. Appl. No. 29/481,765 dated May 9, 2016.  
 Ex Parte Quayle Action for U.S. Appl. No. 29/545,539 dated May 23, 2016.  
 Office Action for U.S. Appl. No. 29/481,765 dated Oct. 16, 2015.  
 Office Action for U.S. Appl. No. 29/560,681 dated Jun. 15, 2017.

(56)

**References Cited**

OTHER PUBLICATIONS

Modern Square LED Chandelier Lighting (available online Sep. 22, 2015) Retrieved from the internet Jun. 2, 2017, retrieved from the internet URL: [https://www.amazon.com/VONN-VMC31620AL-Chandelier-Lighting-Adjustable/dp/B015OG45GE/](https://www.amazon.com/VONN-VMC31620AL-Chandelier-Lighting-Adjustable/dp/B015OG45GE/ref=sr_1_2?ie=UTF8&qid=1498172914&sr=8-2)

&keywords=Modern+Square+LED+Chandelier+Lighting.

Modern Two-Tier LED Chandelier (available online Sep. 22, 2015) Retrieved from the internet Jun. 2, 2017, retrieved from the internet URL: [https://www.amazon.com/VONN-VMC31710SW-Two-Tier-Chandelier-Adjustable/dp/B0150G4J8S/](https://www.amazon.com/VONN-VMC31710SW-Two-Tier-Chandelier-Adjustable/dp/B0150G4J8S/ref=pd_sbs_60_2?encoding=UTF8&pd_rd_i=B0150G4J8S)

&pd\_rd\_r=9GZ57EM9VFSJZMQW1ERC&pd\_rd\_w=XsCRS  
&pd\_rd\_wg=VbWDy&psc=1&refRID=9GZ57EM9VFSJZ.

Astro D-Light wall Light (available online) Retrieved from the internet Jun. 2, 2017, retrieved from the internet URL: <https://www.lovelights.co.uk/led-lighting-c17/astro-d-light-led-wall-light-p22295>.

Notice of Allowance for U.S. Appl. No. 15/076,852 dated Oct. 11, 2017.

Notice of Allowance for U.S. Appl. No. 29/560,673 dated Nov. 13, 2017.

Non-Final Office Action for U.S. Appl. No. 14/912,396 dated Dec. 29, 2017.

Final Office Action for U.S. Appl. No. 14/767,890 dated Dec. 29, 2017.

\* cited by examiner

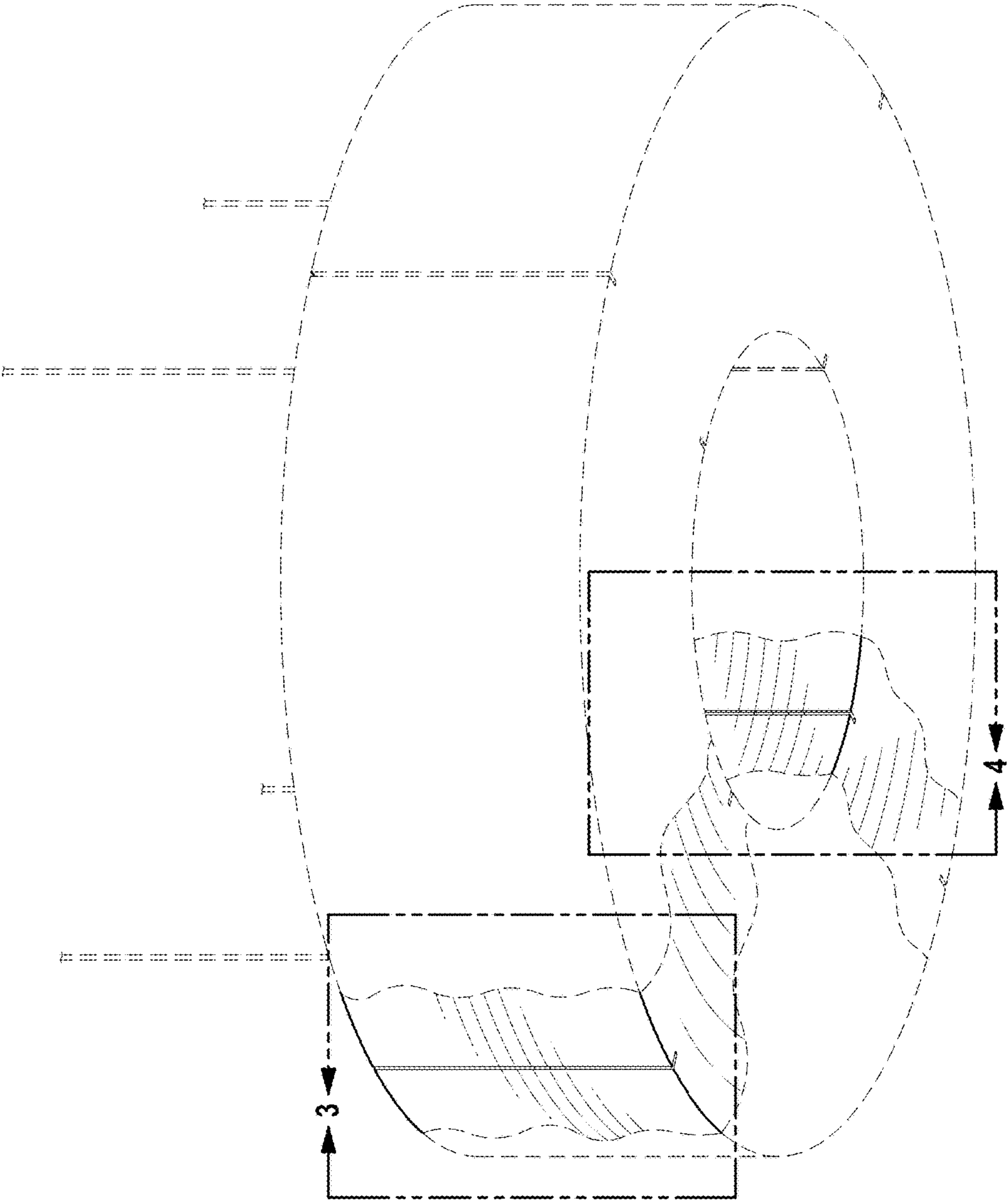


Fig. 1

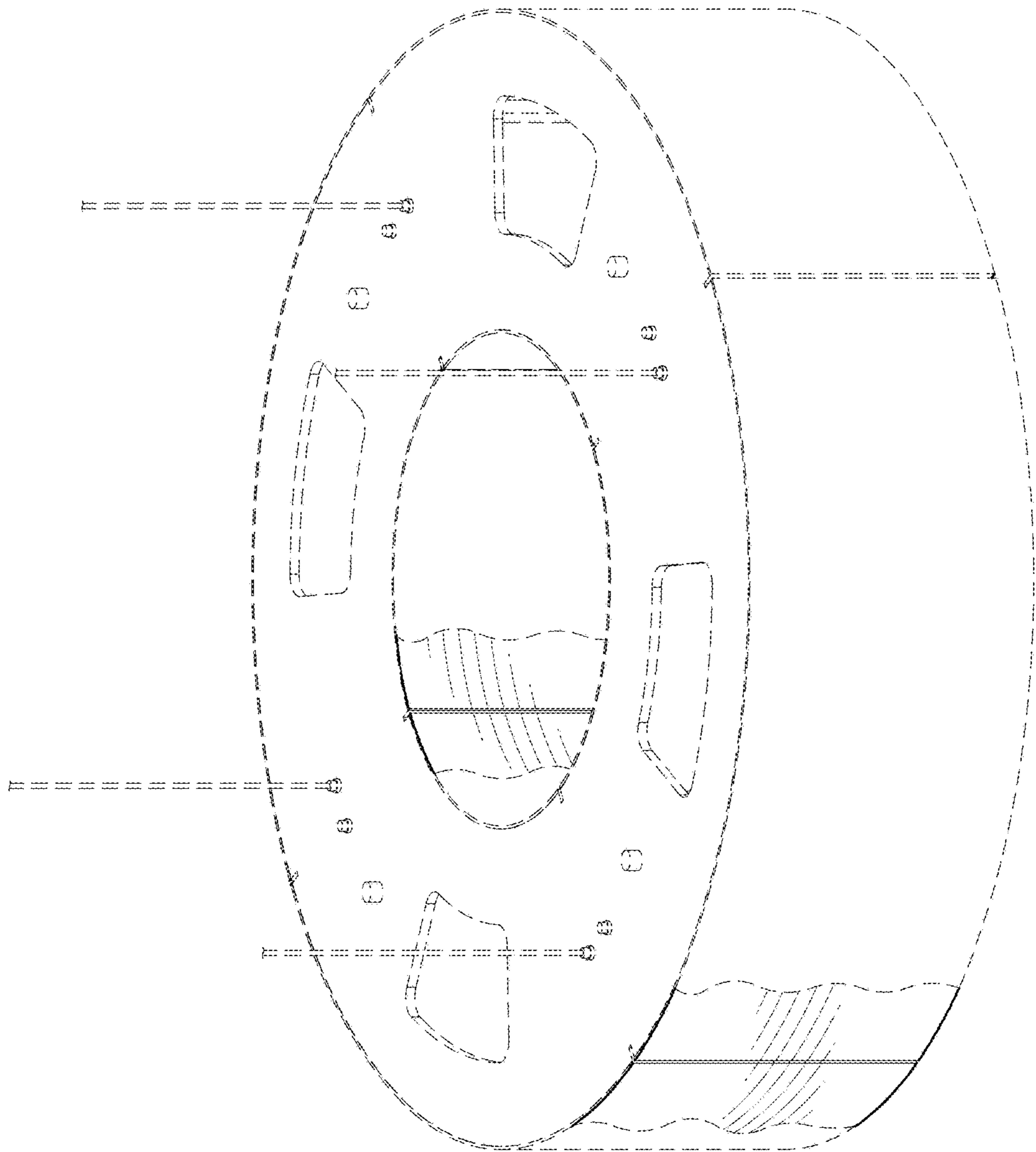
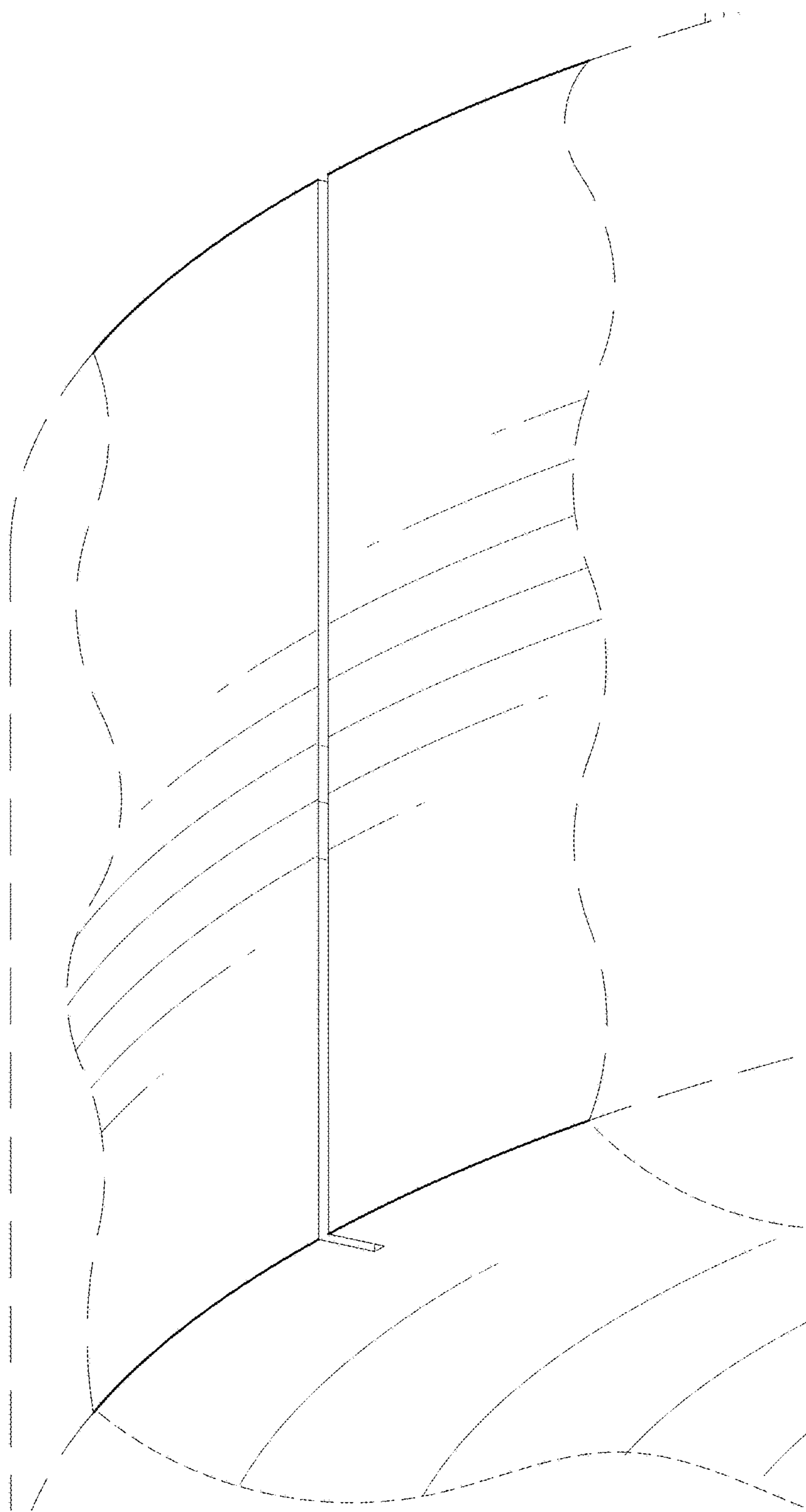


Fig. 2



**Fig. 3**

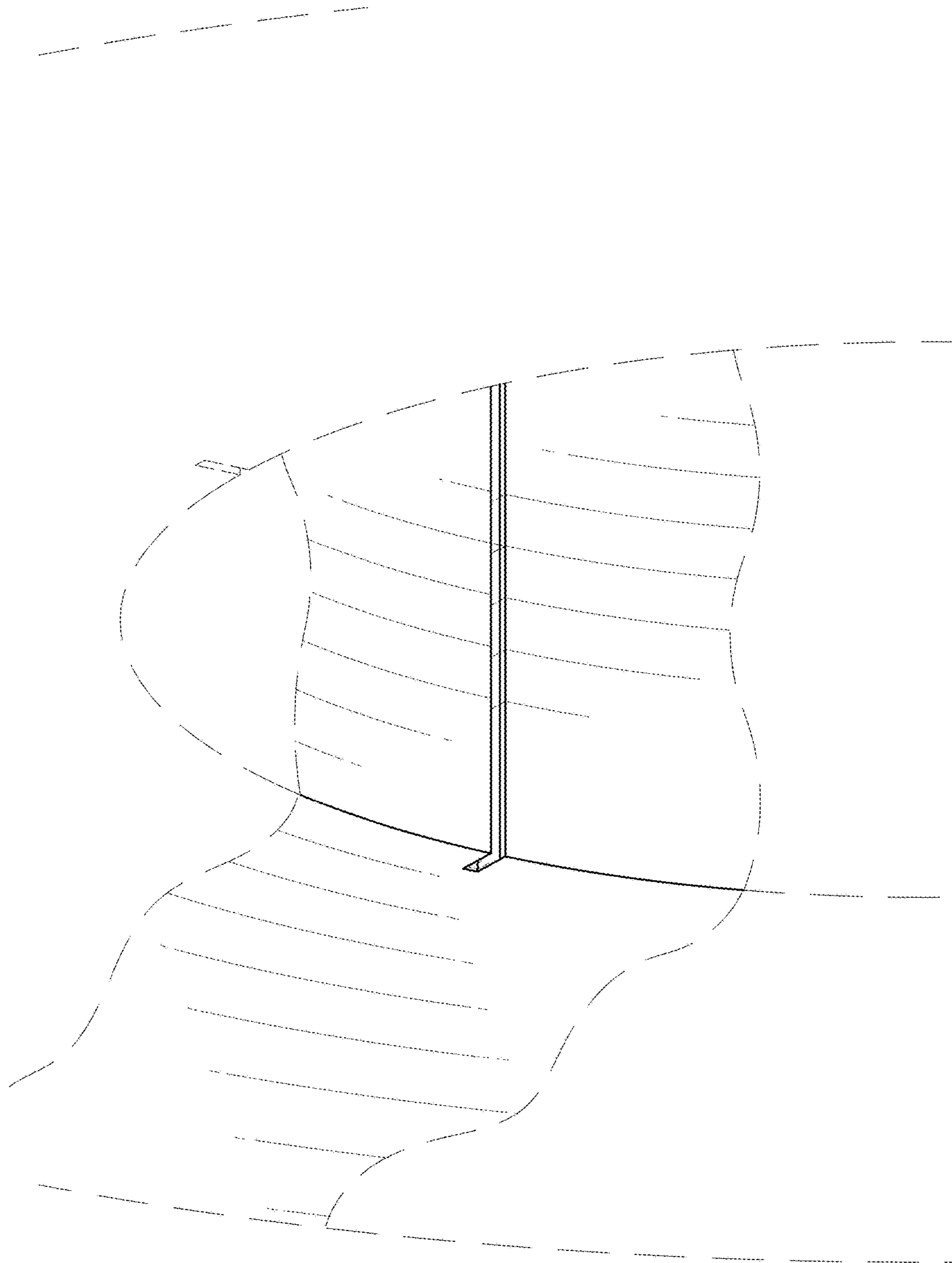
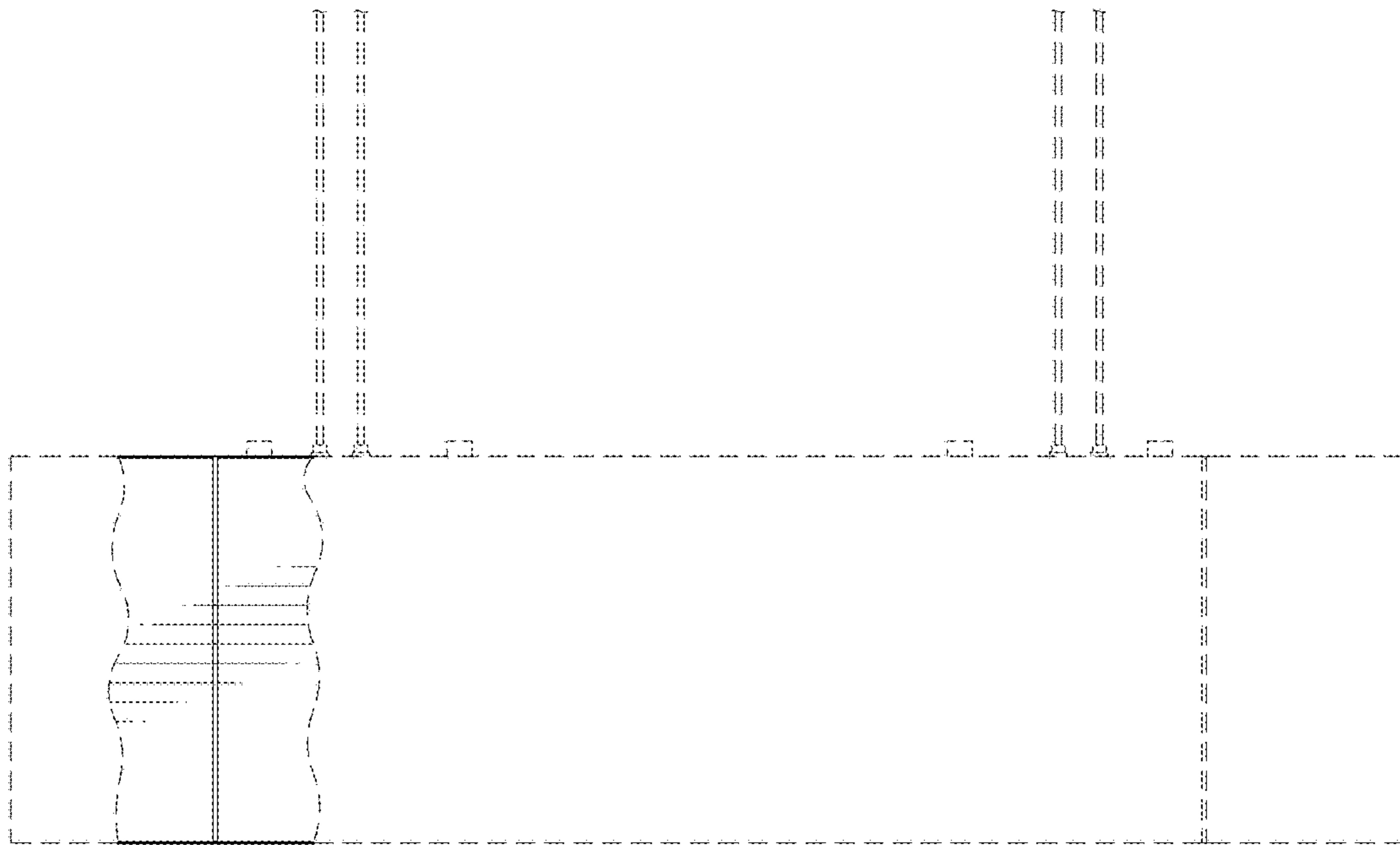
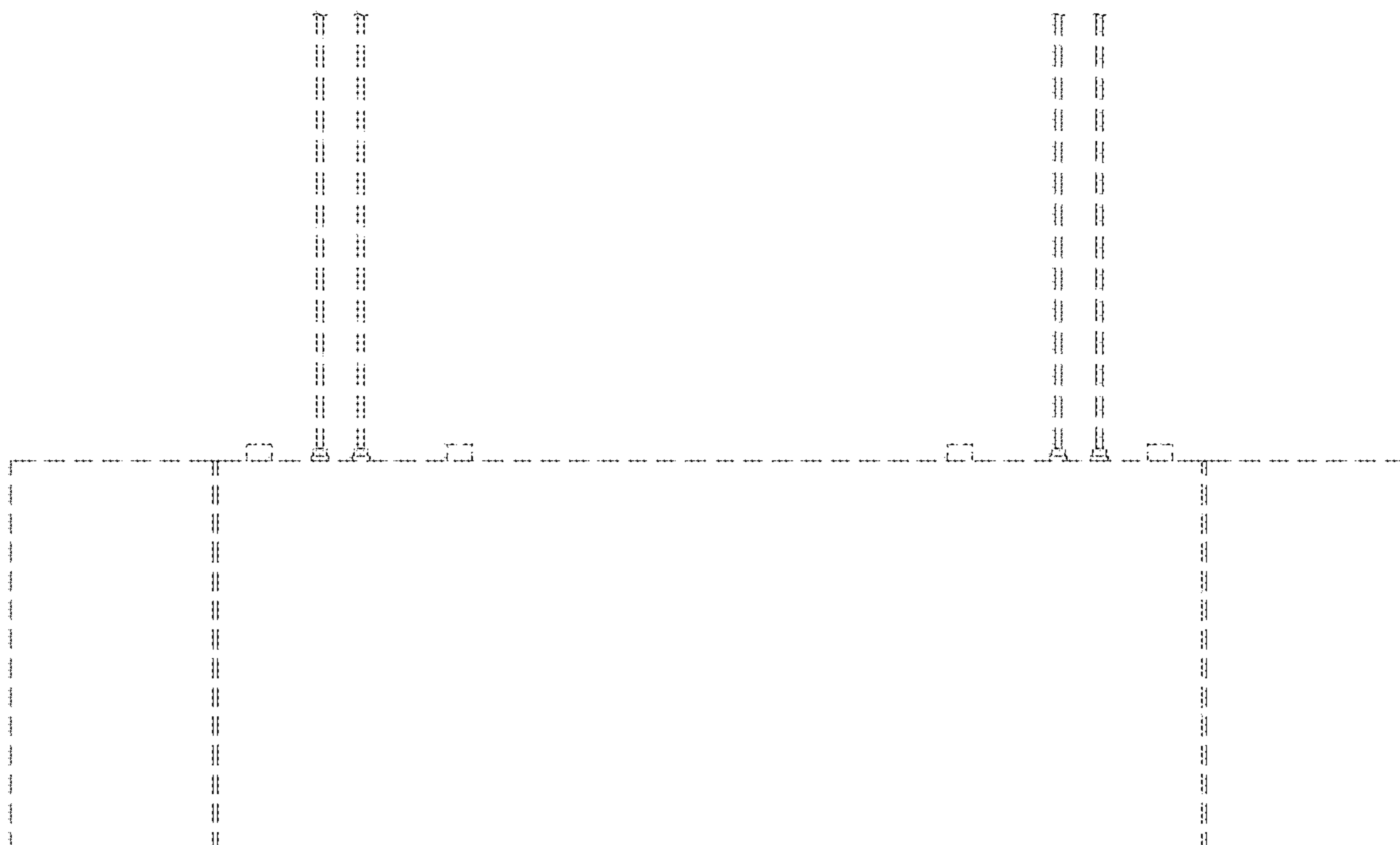


Fig. 4

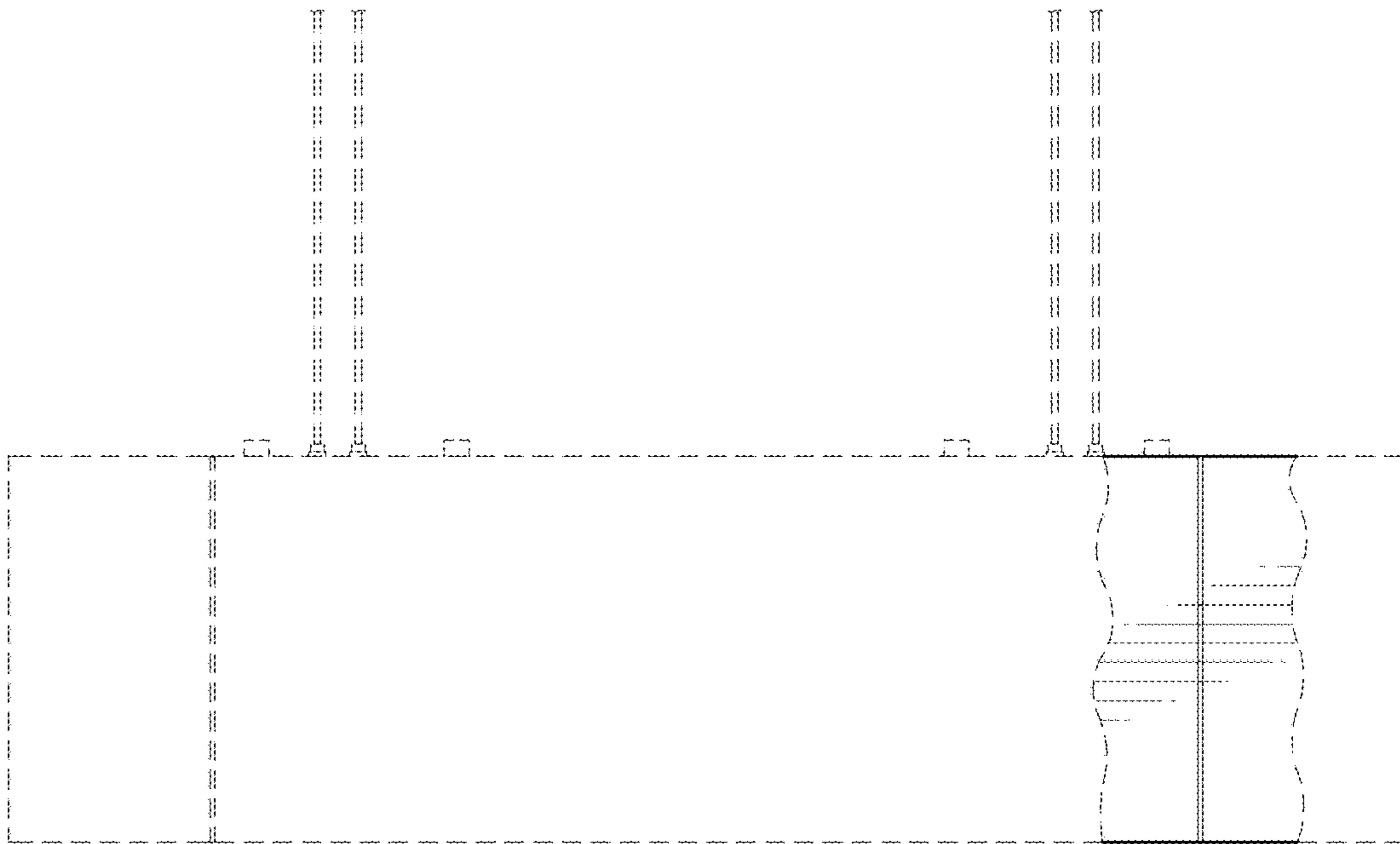


*Fig. 5*

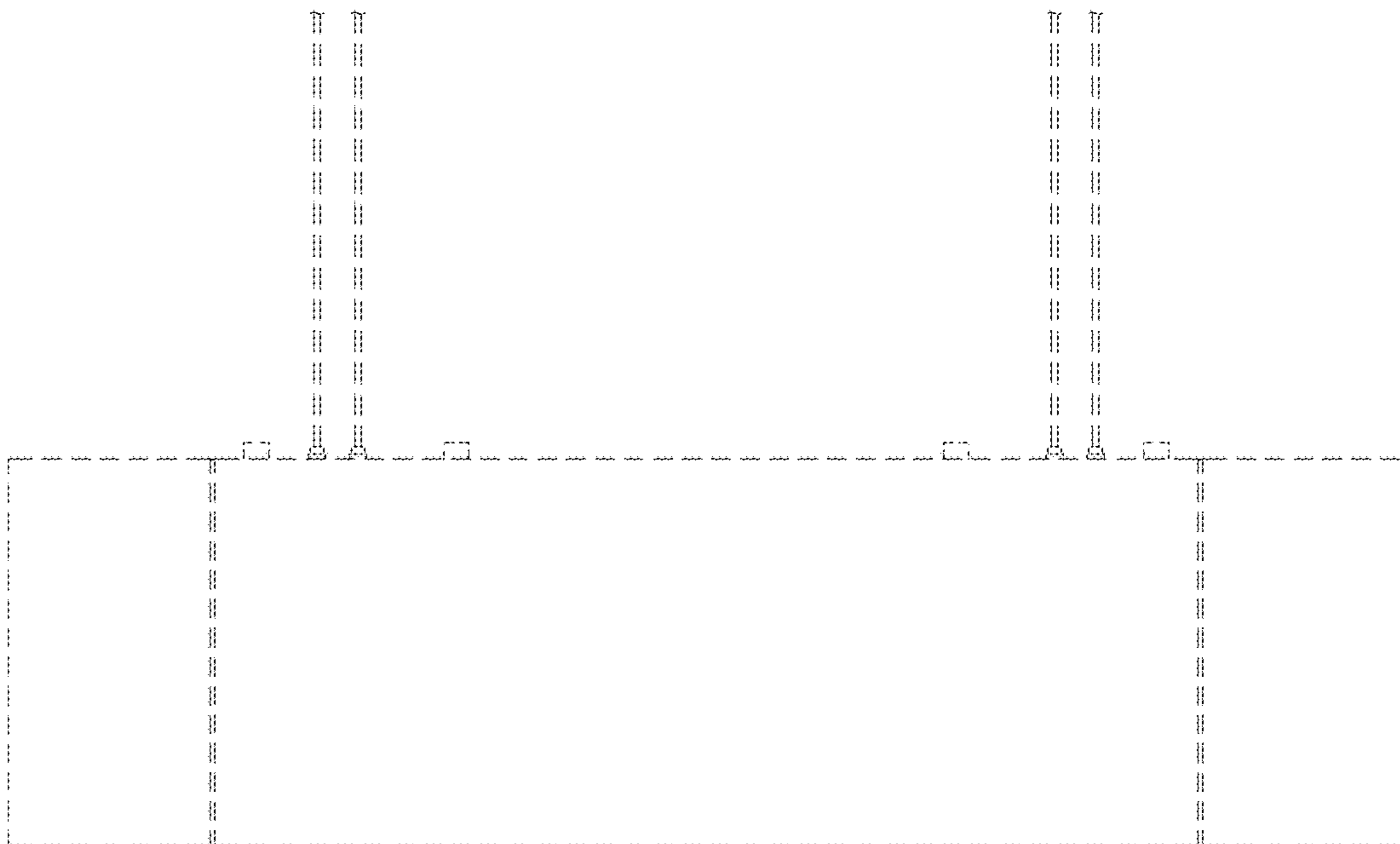


*Fig. 6*

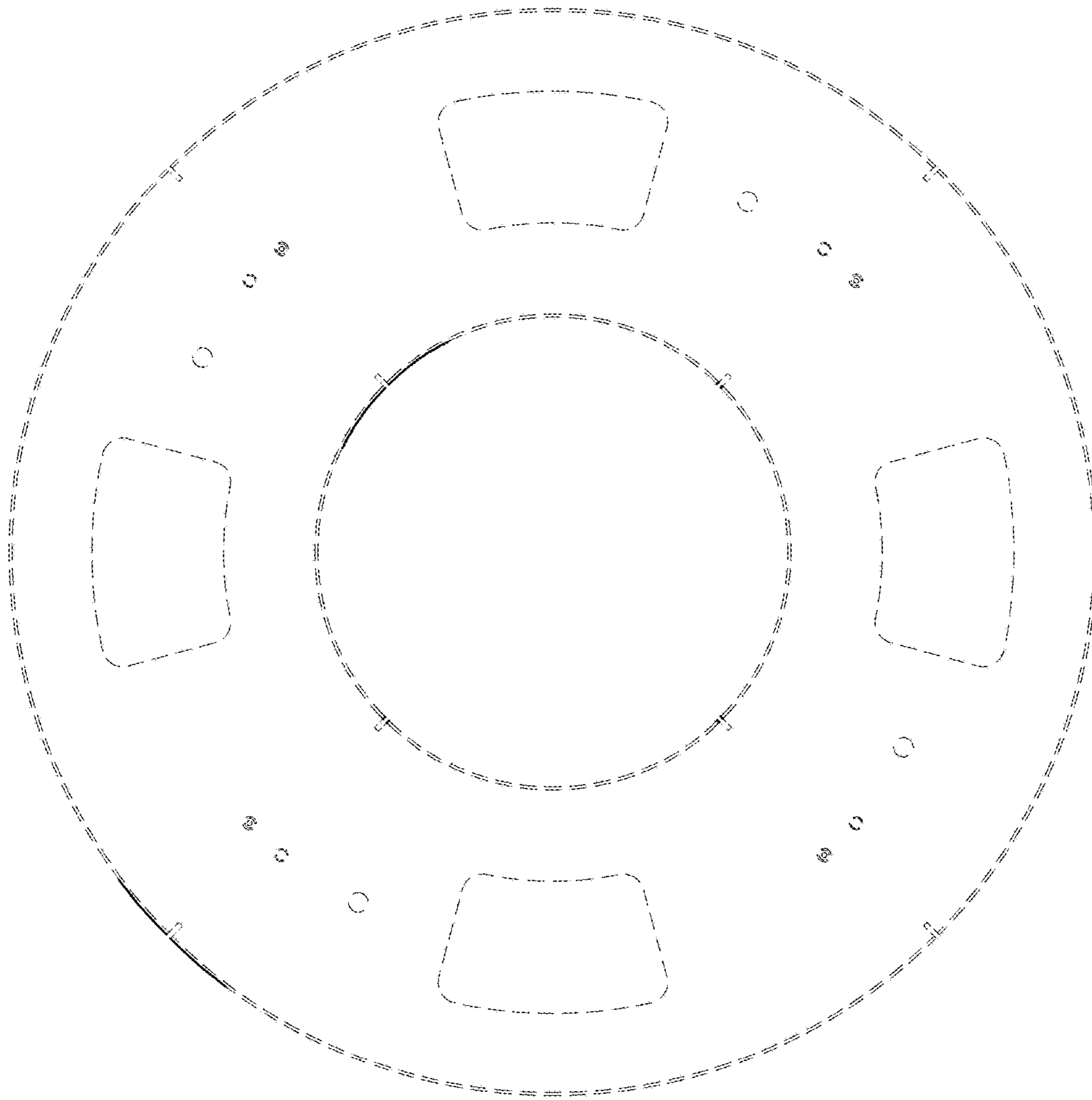




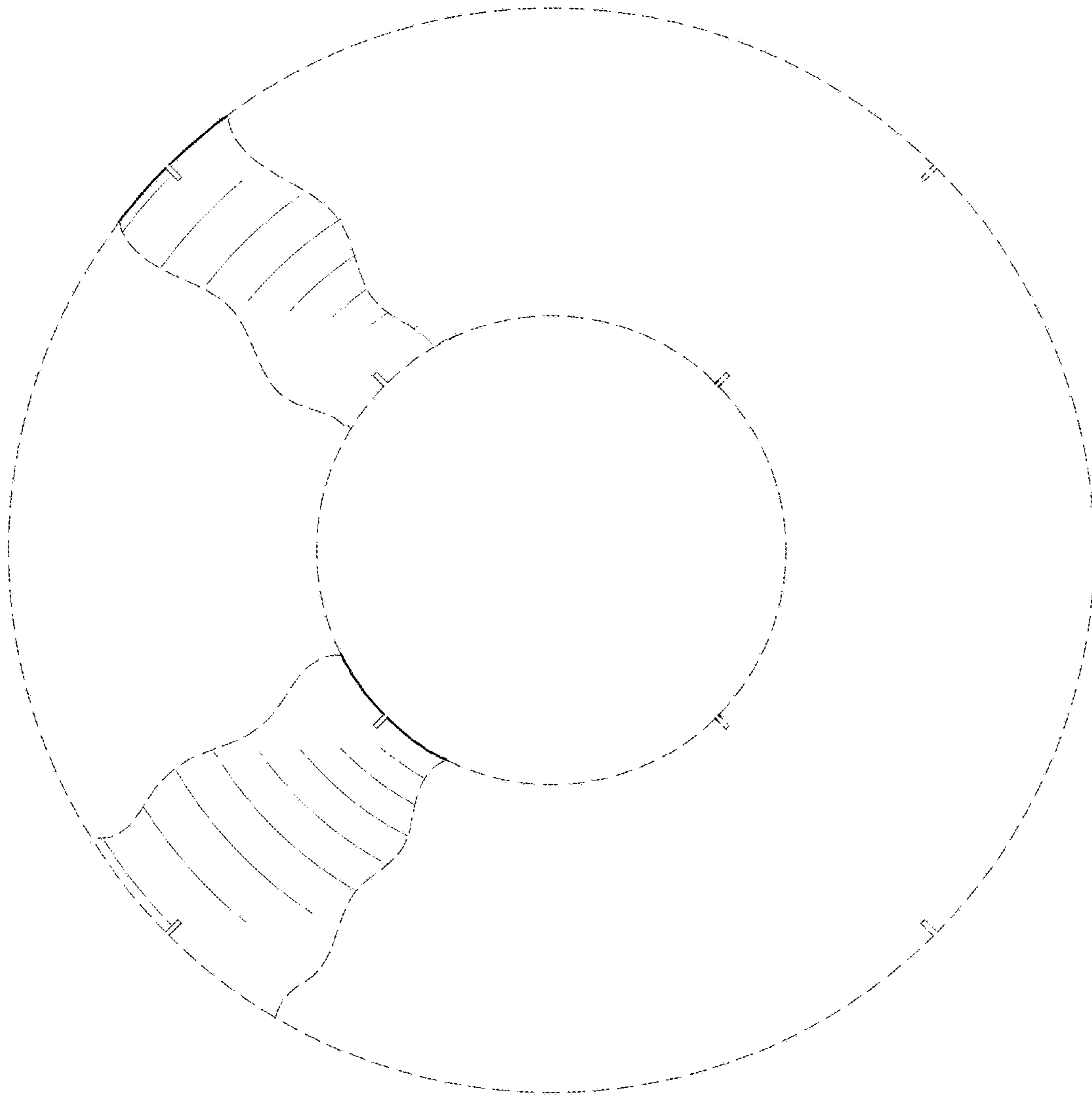
**Fig. 7**



**Fig. 8**



**Fig. 9**



*Fig. 10*