



US00D814686S

(12) **United States Design Patent** (10) **Patent No.:** **US D814,686 S**
Chen (45) **Date of Patent:** **** Apr. 3, 2018**

(54) **LED PARTY LIGHT**

(56) **References Cited**

(71) Applicant: **SHENZHEN HONGRUIXINDA TECHNOLOGY CO., LTD**, Shenzhen (CN)

U.S. PATENT DOCUMENTS

1,592,561 A *	7/1926	Godley	F21S 48/10 340/815.76
D299,703 S *	2/1989	Arai	D10/109.2
D379,550 S *	5/1997	Kuo	D26/118
D636,114 S *	4/2011	De Lucchi	D26/128
D647,228 S *	10/2011	Feigenbaum	D26/24
D689,221 S *	9/2013	Isaac	D26/24

(72) Inventor: **Jianhua Chen**, Wugang (CN)

* cited by examiner

(73) Assignee: **SHENZHEN HONGRUIXINDA TECHNOLOGY CO., LTD**, Shenzhen (CN)

Primary Examiner — Brian N. Vinson

(74) *Attorney, Agent, or Firm* — JiangIP LLC; Yanling Jiang

(**) Term: **15 Years**

(57) **CLAIM**

(21) Appl. No.: **29/608,440**

The ornamental design for a LED party light, as shown and described.

(22) Filed: **Jun. 21, 2017**

DESCRIPTION

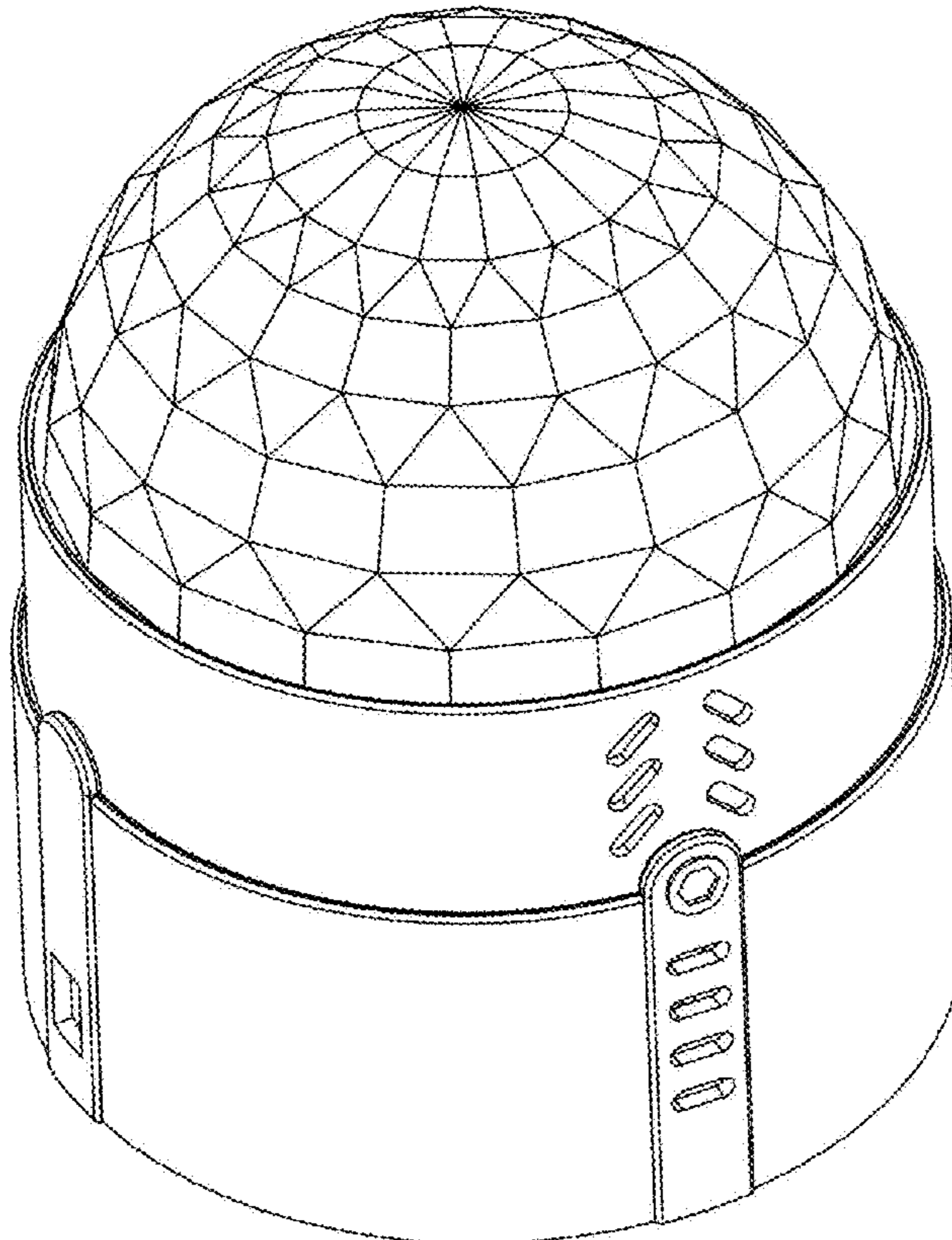
(51) **LOC (11) Cl.** **26-03**

(52) **U.S. Cl.**
USPC **D26/110**

(58) **Field of Classification Search**
USPC D26/1, 24, 67, 93–94, 104–110, 95, 101,
D26/112, 118, 128; D10/109.2
CPC .. F21Y 2103/00; F21Y 2101/02; F21V 15/00;
F21V 25/00; F21S 6/002; F21S 48/10
See application file for complete search history.

FIG. 1 is a front view of a LED party light.
FIG. 2 is a rear view of a LED party light.
FIG. 3 is a top view of a LED party light.
FIG. 4 is a bottom view of a LED party light.
FIG. 5 is a side view of a LED party light.
FIG. 6 is a side view of a LED party light; and,
FIG. 7 is a perspective view showing a LED party light.

1 Claim, 7 Drawing Sheets



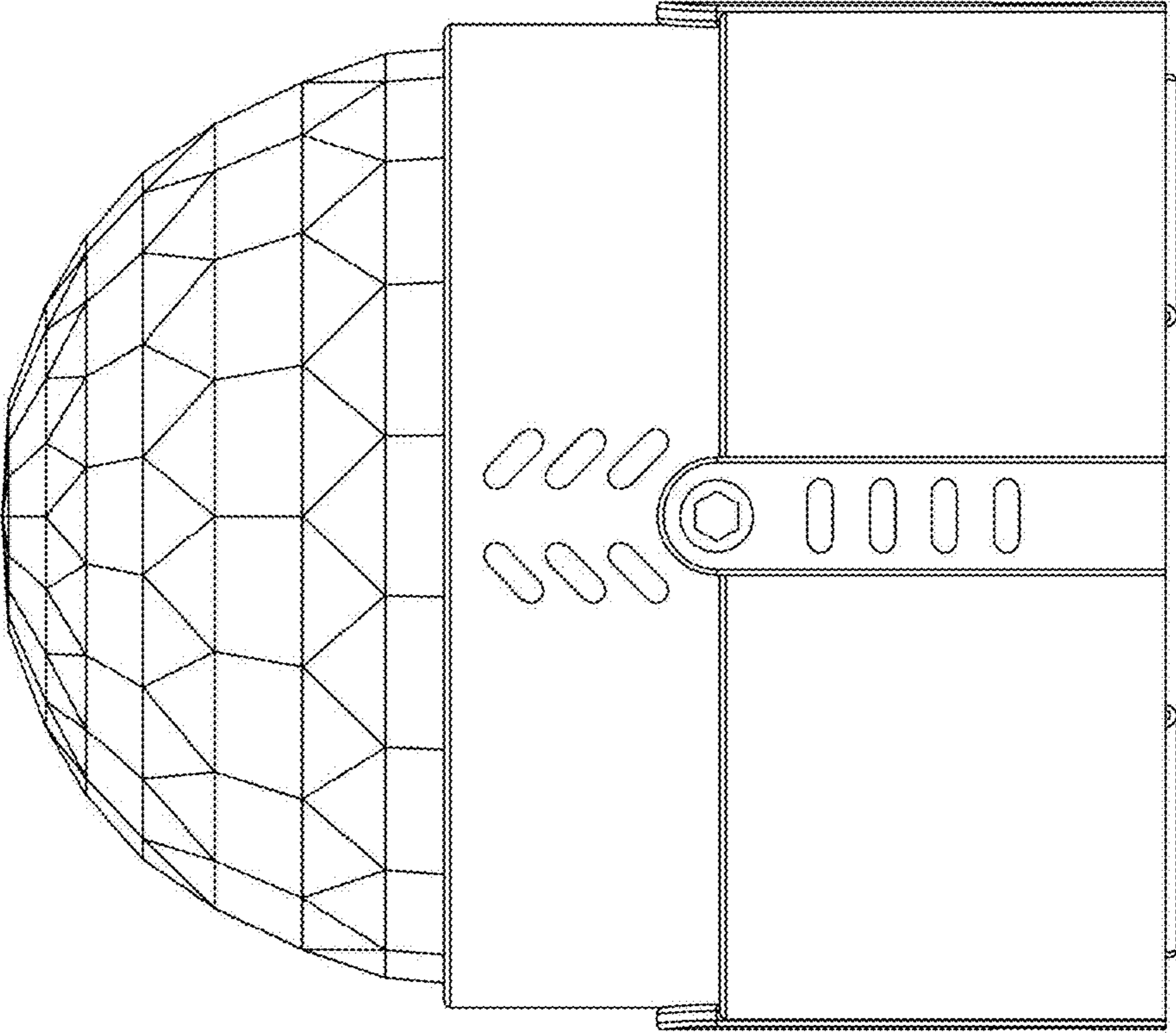


Fig. 1

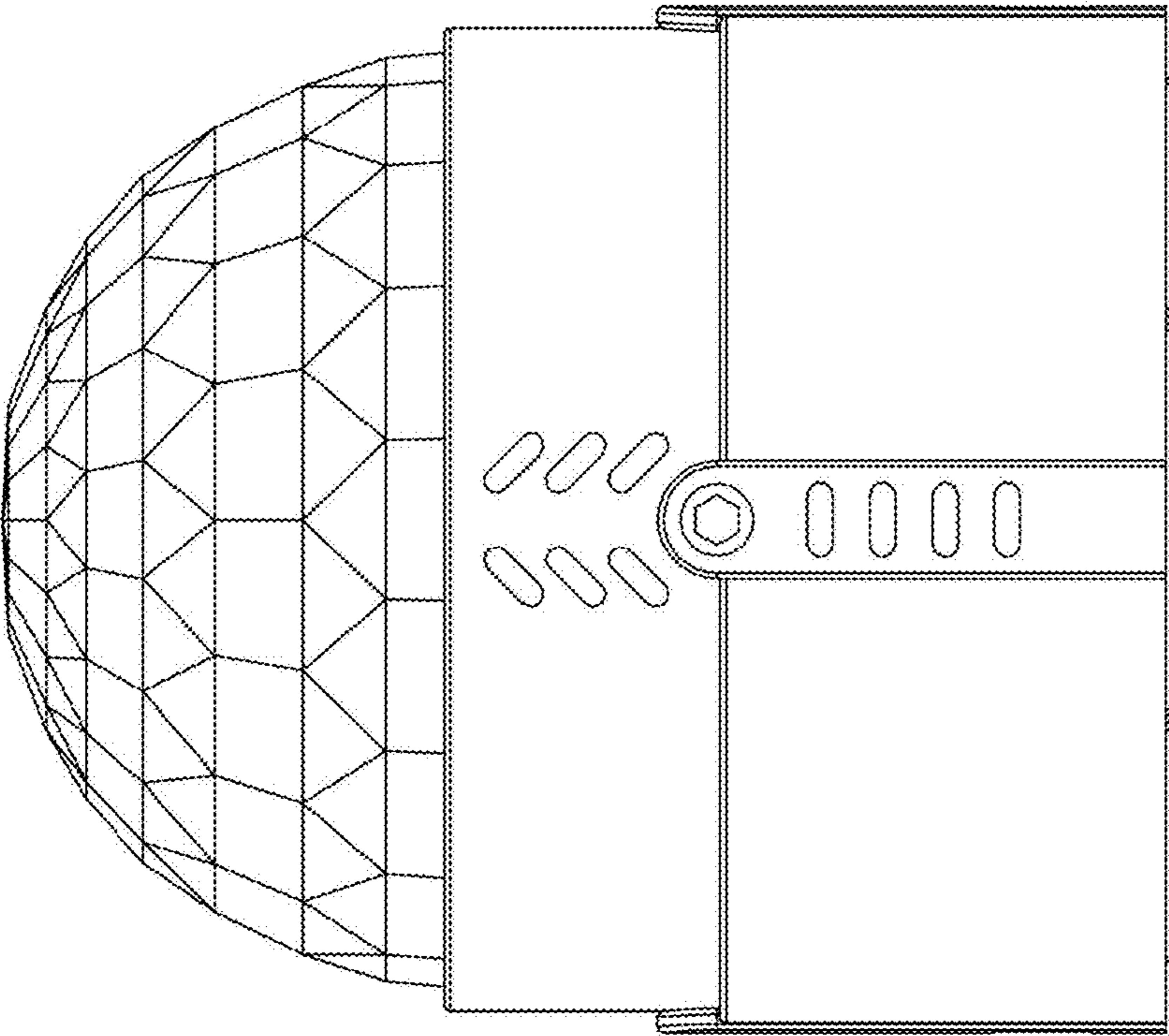


Fig. 2

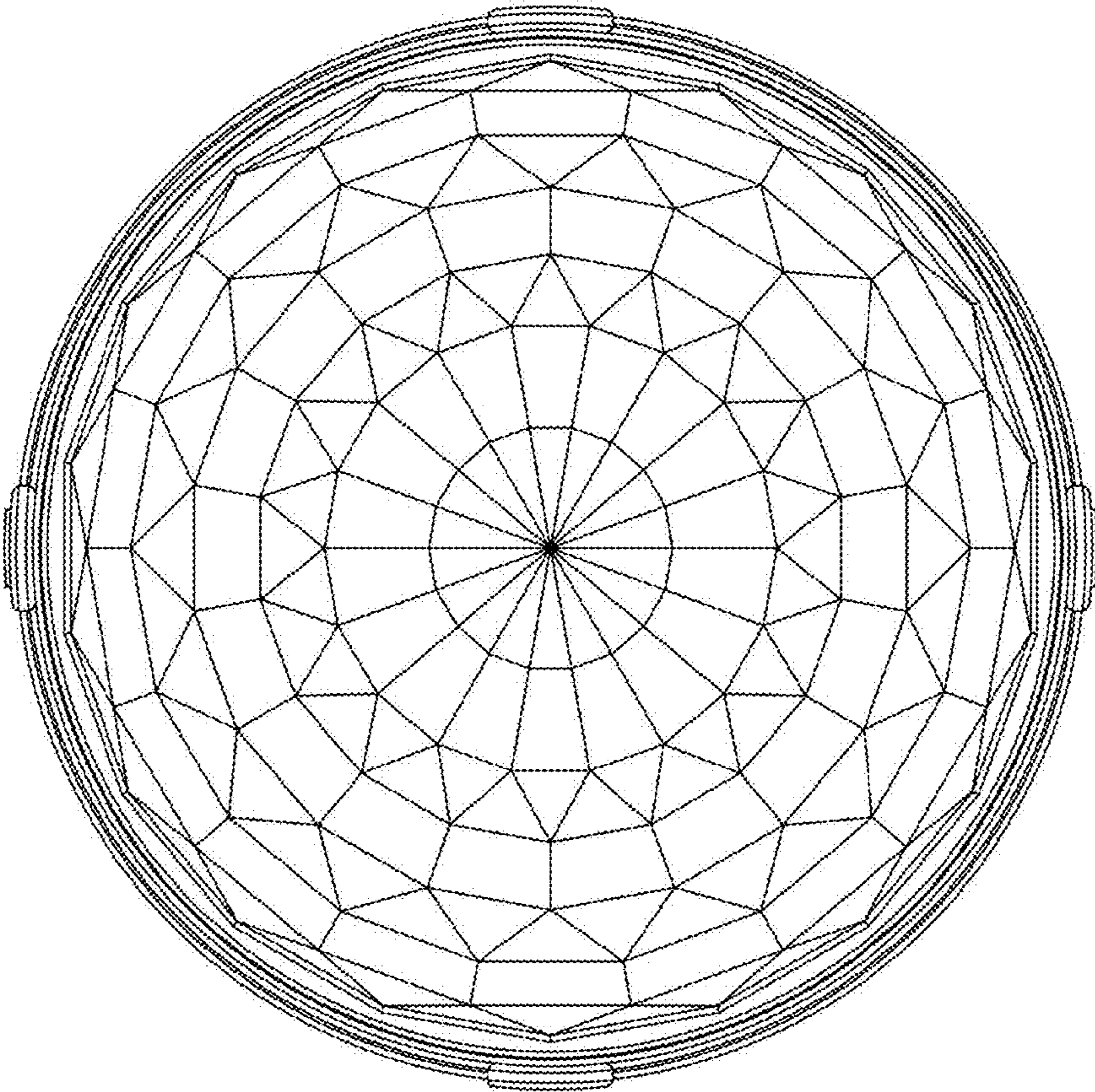


Fig. 3

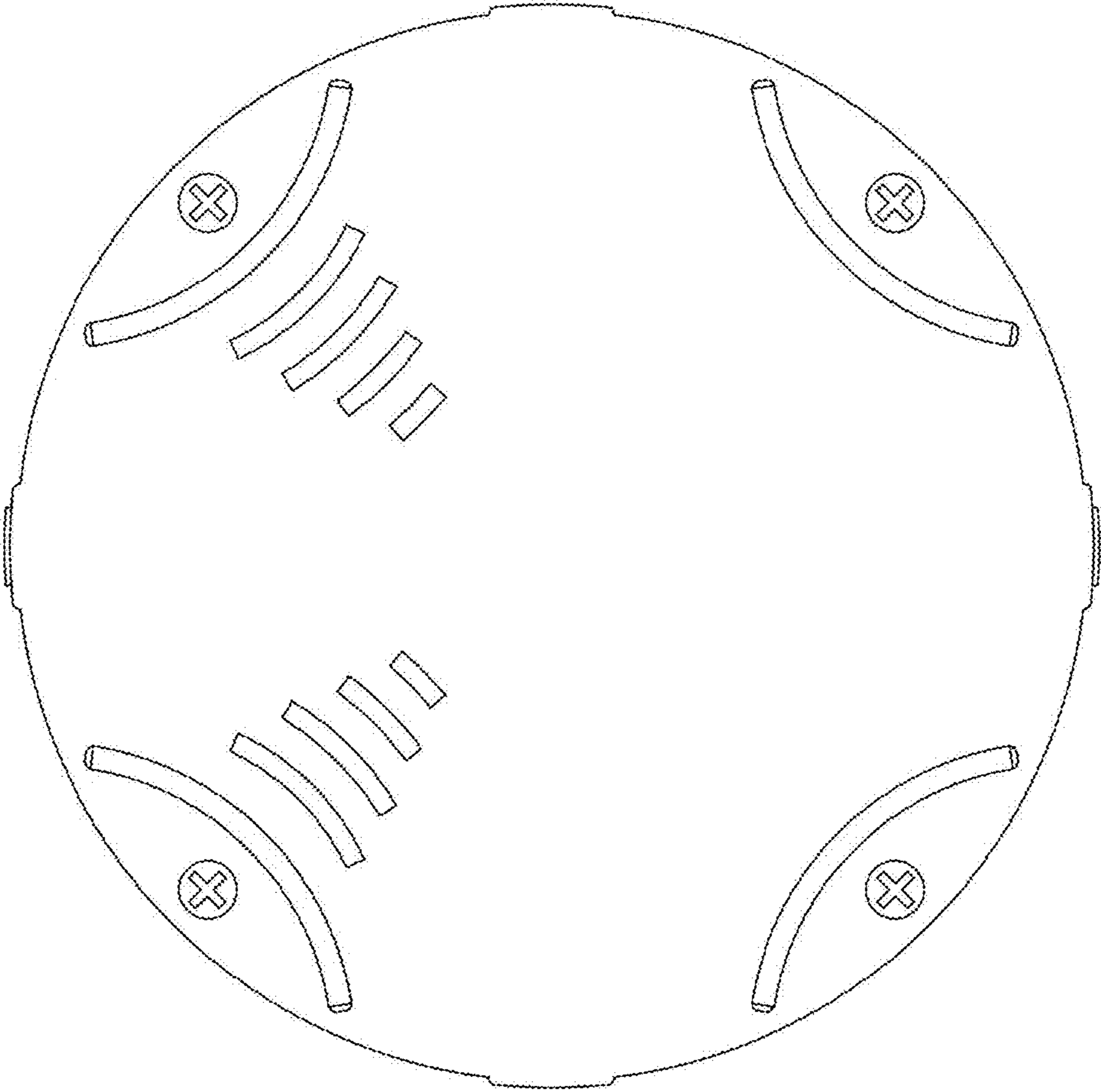


Fig. 4

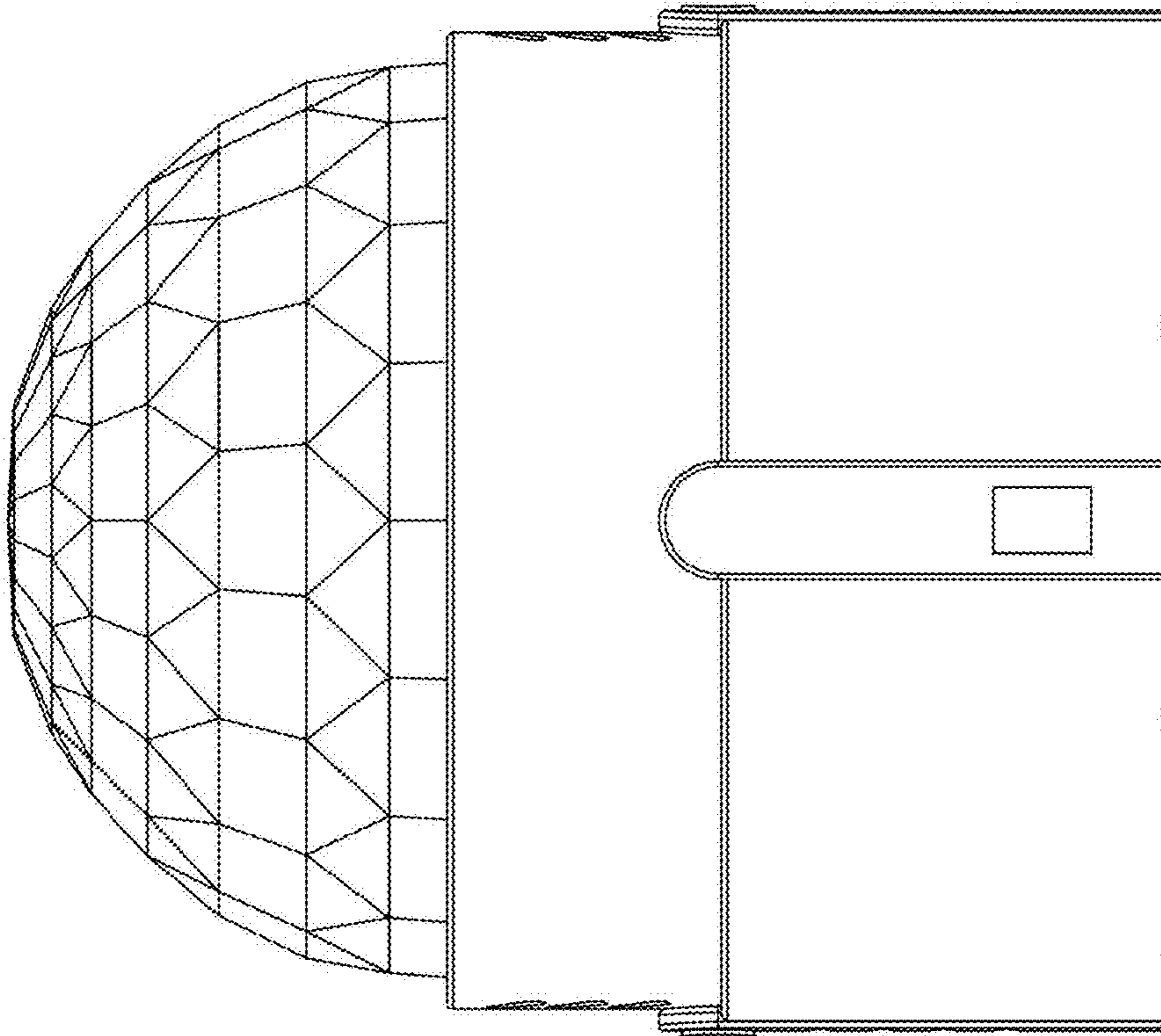


Fig. 5

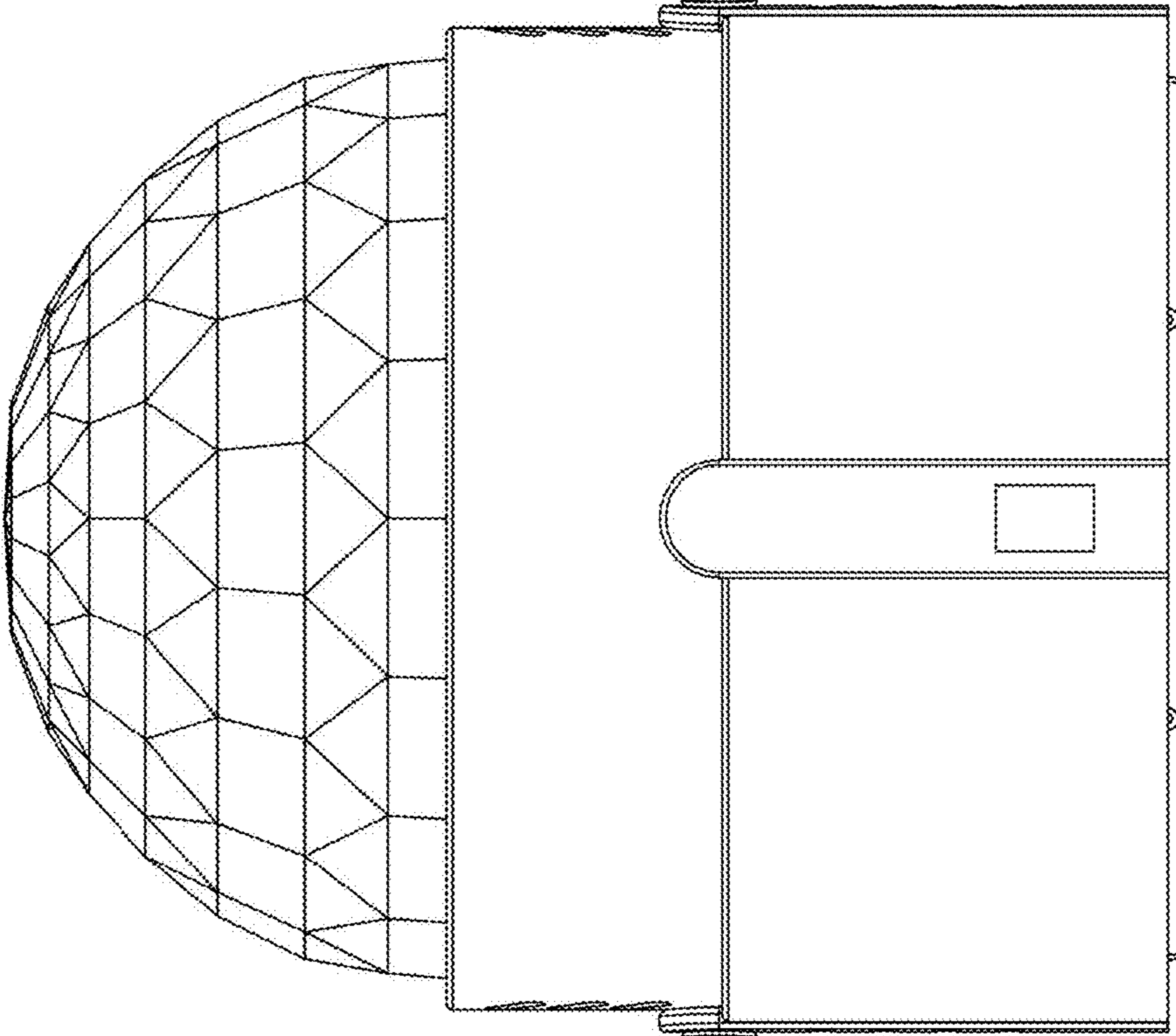


Fig. 6

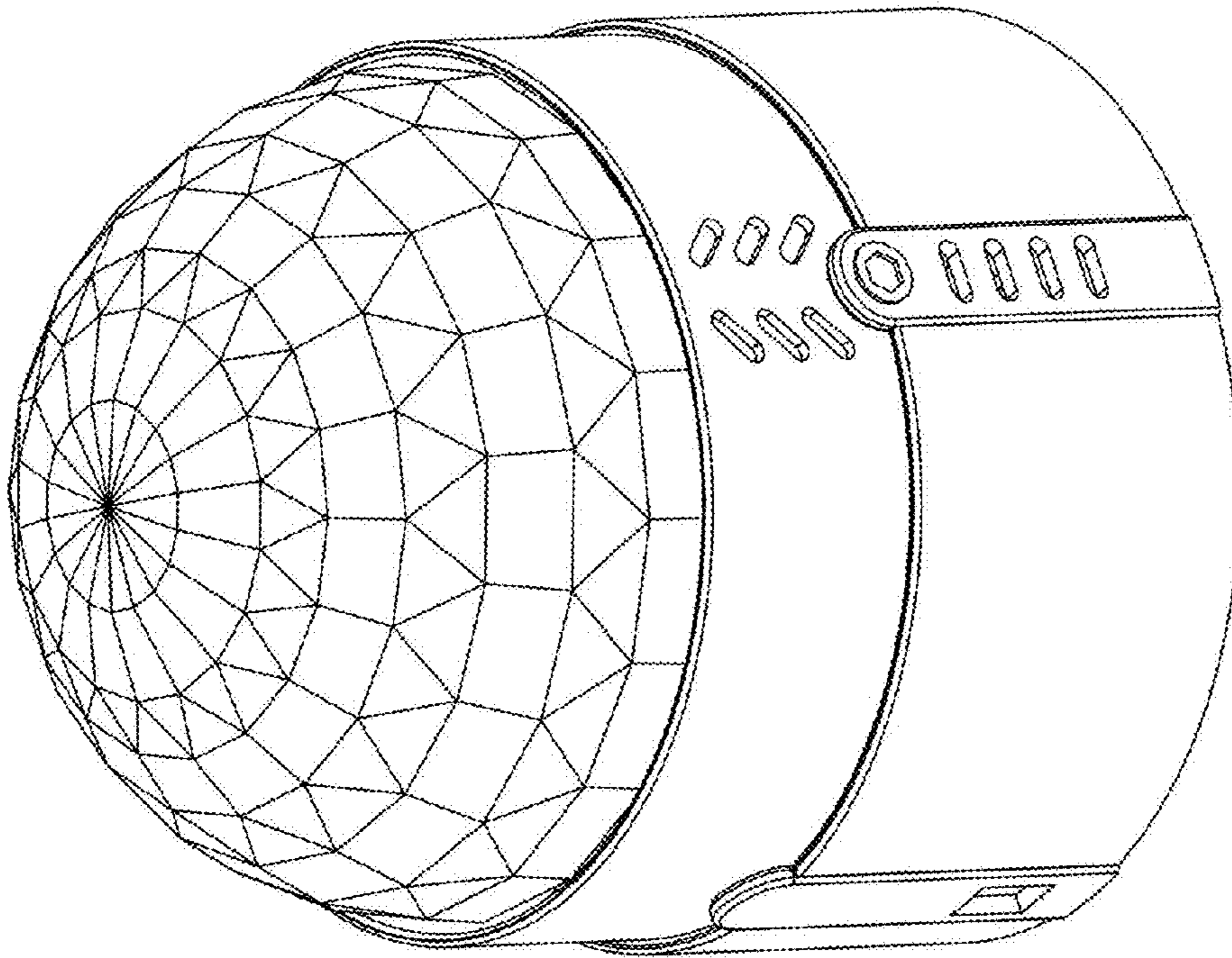


Fig. 7