



US00D814682S

(12) **United States Design Patent**
Lu et al.

(10) **Patent No.:** **US D814,682 S**
(45) **Date of Patent:** **** Apr. 3, 2018**

(54) **DIMMABLE HIGH BAY LIGHT**

(71) Applicant: **XIAMEN PVTECH CORPORATION LIMITED**, Xiamen (CN)

(72) Inventors: **Fuxing Lu**, Xiamen (CN); **Ruicha Lai**, Xiamen (CN)

(73) Assignee: **XIAMEN PVTECH CORPORATION LIMITED**, Xiamen (CN)

(**) Term: **15 Years**

(21) Appl. No.: **29/564,293**

(22) Filed: **May 12, 2016**

(51) **LOC (11) Cl.** **26-04**

(52) **U.S. Cl.**
USPC **D26/76**

(58) **Field of Classification Search**
USPC D10/111-115; D13/134; D14/473;
D25/119, 126, 133, 135; D26/38, 39, 40,
D26/42, 46, 48, 51, 54, 60, 61, 63, 64,
D26/65, 66, 71, 74, 75, 78, 80, 81, 82,
D26/83, 84, 85, 86, 88, 89, 91, 113, 118,
D26/119, 120, 121, 122, 138, 141, 142,
D26/152
CPC F21S 4/28; F21S 8/026; F21S 8/031; F21S
8/036; F21S 8/043; F21V 21/04; F21V
29/74; F21V 29/75; F21V 29/83
See application file for complete search history.

(56) **References Cited**

U.S. PATENT DOCUMENTS

D359,372 S * 6/1995 Davies D26/63
7,757,369 B2 * 7/2010 Kassay F21V 7/0016
29/525.01
D650,935 S * 12/2011 Beghelli D26/118
D667,584 S * 9/2012 Beghelli D26/75
D743,604 S * 11/2015 Kuo D26/63
9,303,825 B2 * 4/2016 Boomgaarden F21K 9/30
2013/0229795 A1 * 9/2013 Wang F21V 23/006
362/224

2016/0113088 A1 * 4/2016 Hayman F21V 7/005
315/149
2017/0009970 A1 * 1/2017 Koerner F21V 23/02
2017/0097152 A1 * 4/2017 Scribante F21V 29/83

OTHER PUBLICATIONS

LED High Bay Light (available online Aug. 15, 2016) Retrieved from the internet Jul. 6, 2017, retrieved from the internet URL: <https://web.archive.org/web/20160815120154/http://pvtech.com.cn/products/show.asp?dh=2&sid=127>.*
High Temperature LED High Bay (available online) Retrieved from the internet Jul. 6, 2017, retrieved from the internet URL: <http://www.myledlightingguide.com/led-high-bay-light-190f>.*
LED High bay Lighting by Arriux (available online) Retrieved from the internet Jul. 6, 2017, retrieved from the internet URL: www.hangarlights.com/led-high-bay-lighting.html.*

* cited by examiner

Primary Examiner — Garth Rademaker
Assistant Examiner — Richard Kearney
(74) *Attorney, Agent, or Firm* — Gokalp Bayramoglu

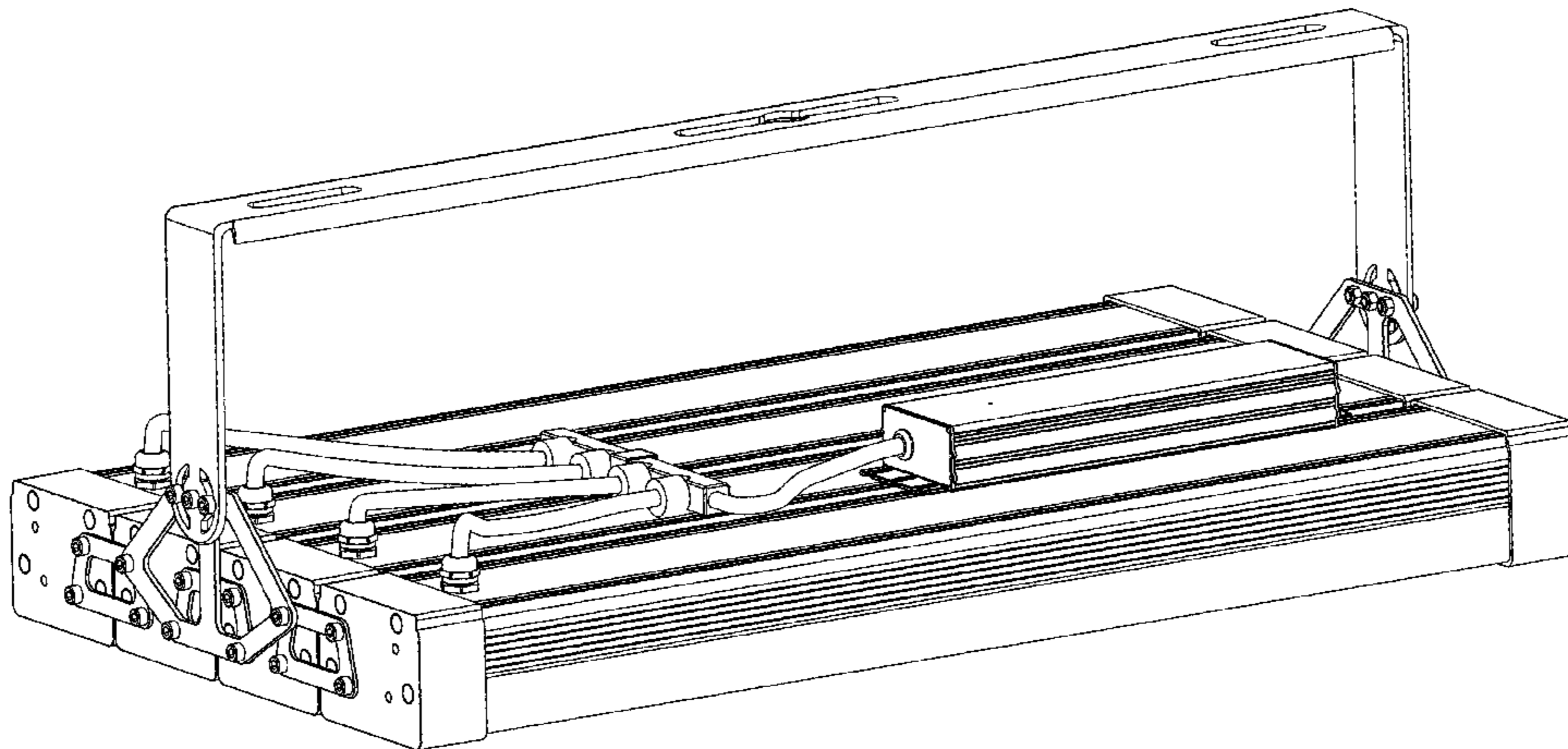
(57) **CLAIM**

The ornamental design for a dimmable high bay light, as shown and described.

DESCRIPTION

FIG. 1 is a perspective view of a dimmable high bay light; FIG. 2 is a front view of the dimmable high bay light; FIG. 3 is a back view of the dimmable high bay light; FIG. 4 is a bottom view of the dimmable high bay light; FIG. 5 is a top view of the dimmable high bay light; FIG. 6 is a right side view of the dimmable high bay light; and, FIG. 7 is a left side view of the dimmable high bay light. The broken lines shown in the drawings illustrate portions of the dimmable high bay light that form no part of the claimed design.

1 Claim, 7 Drawing Sheets



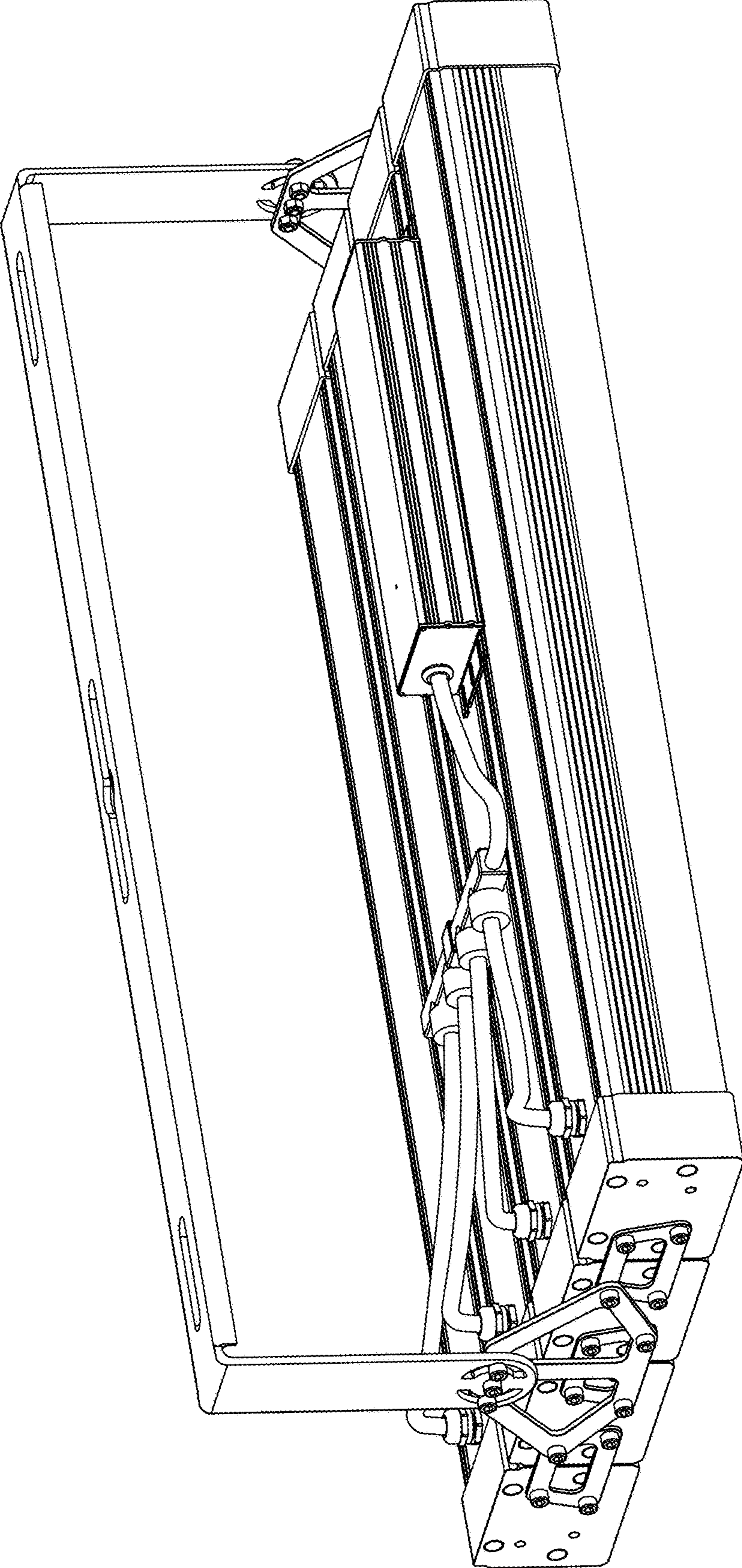


Figure 1

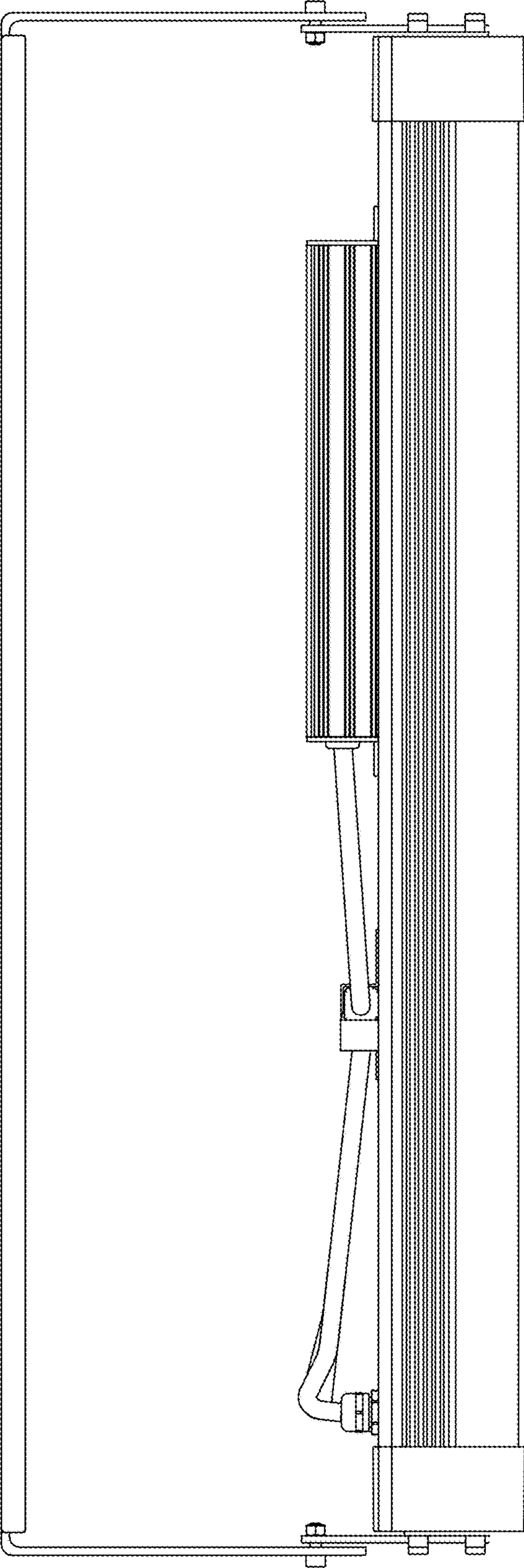


Figure 2

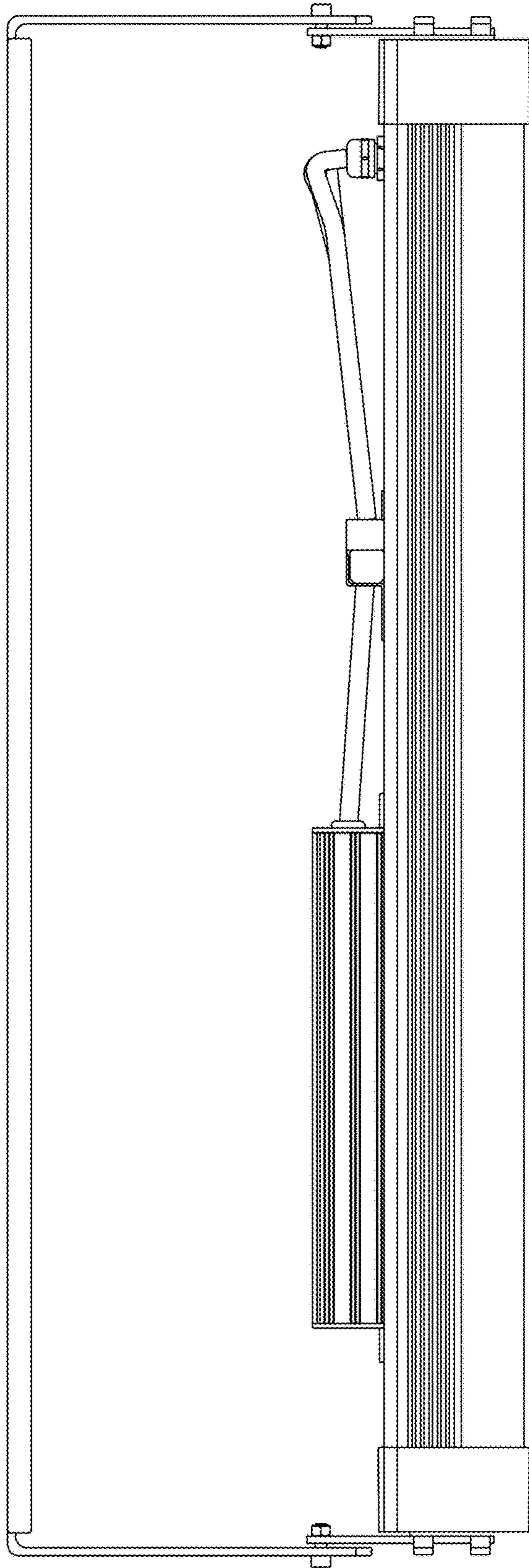


Figure 3

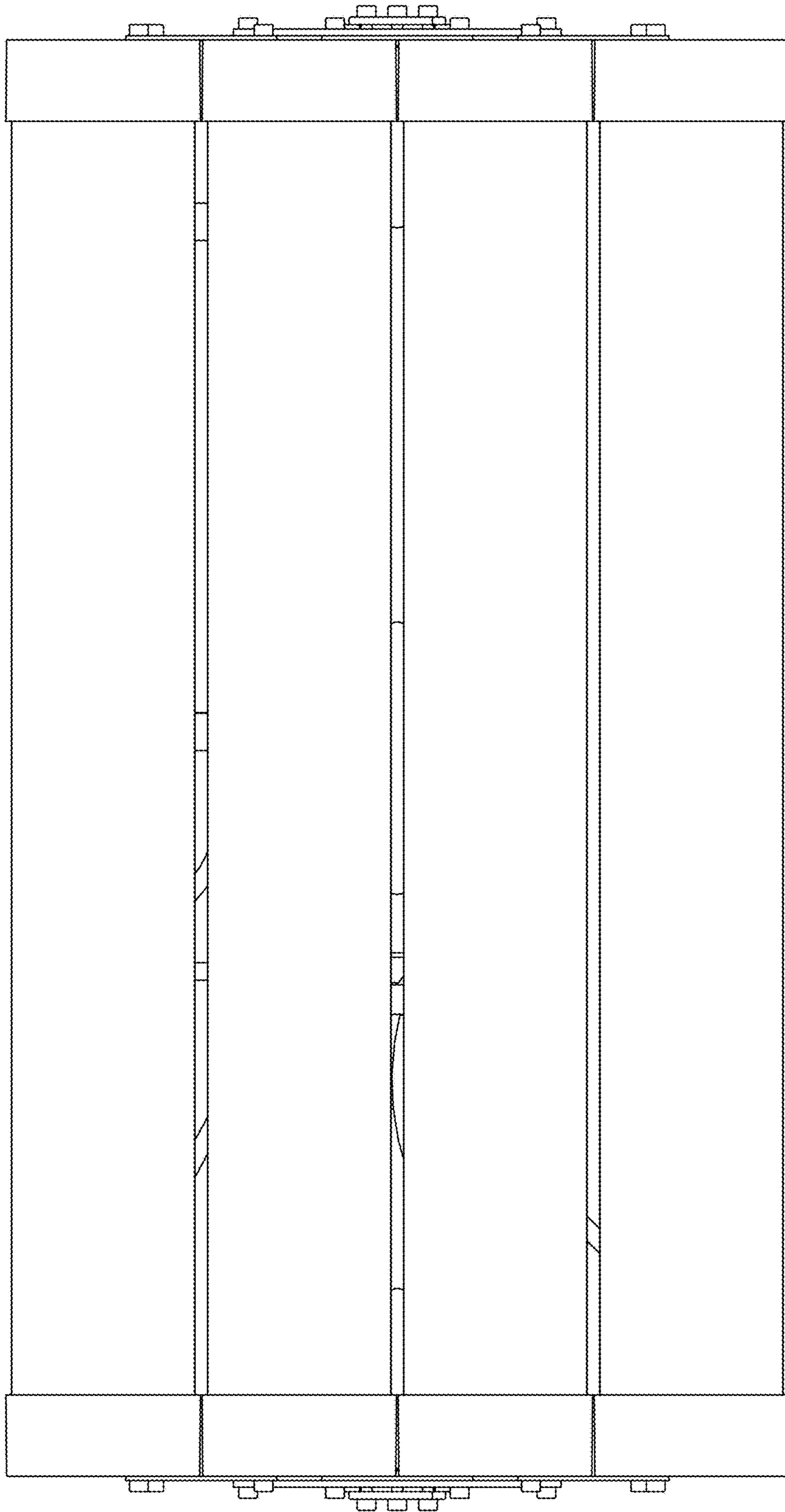


Figure 4

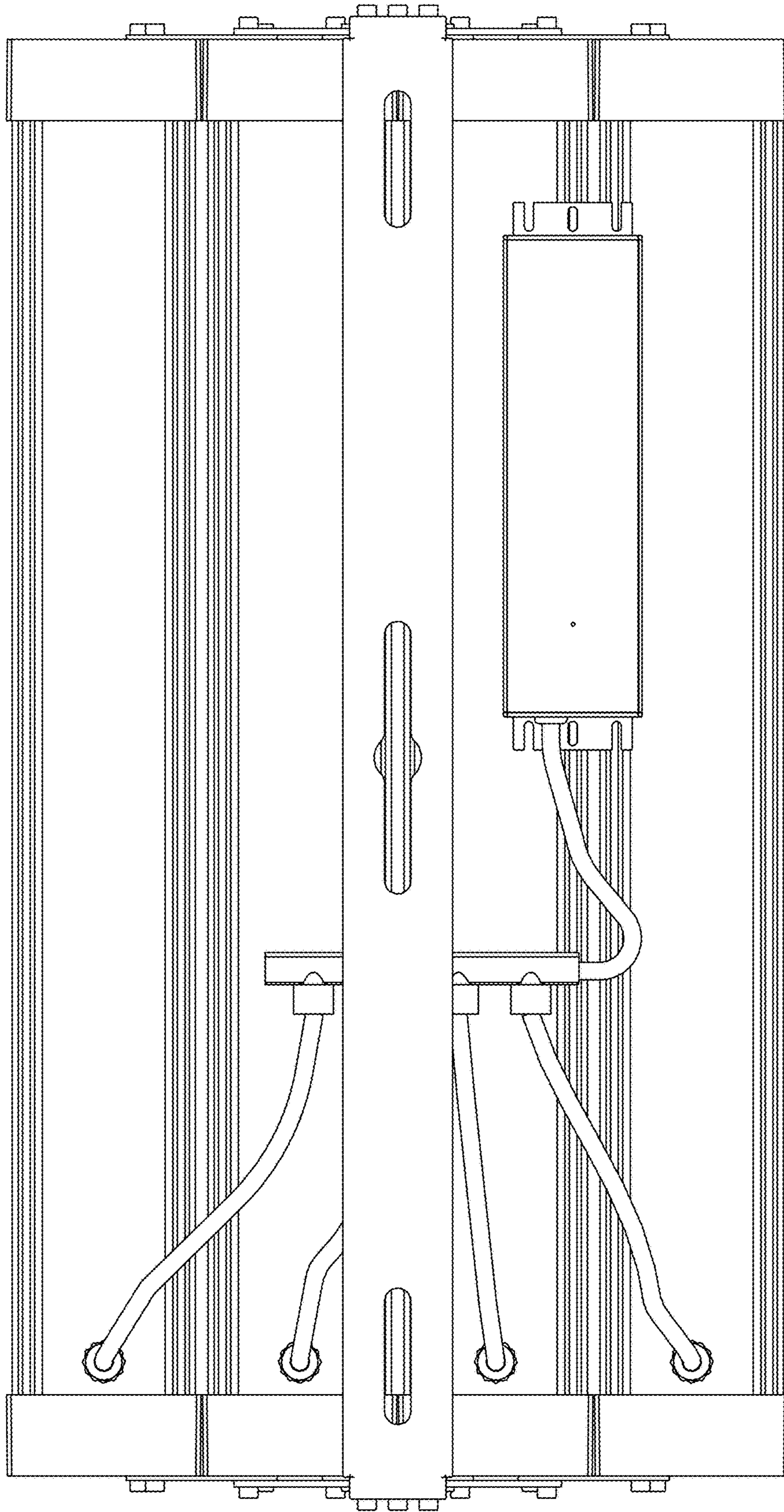


Figure 5

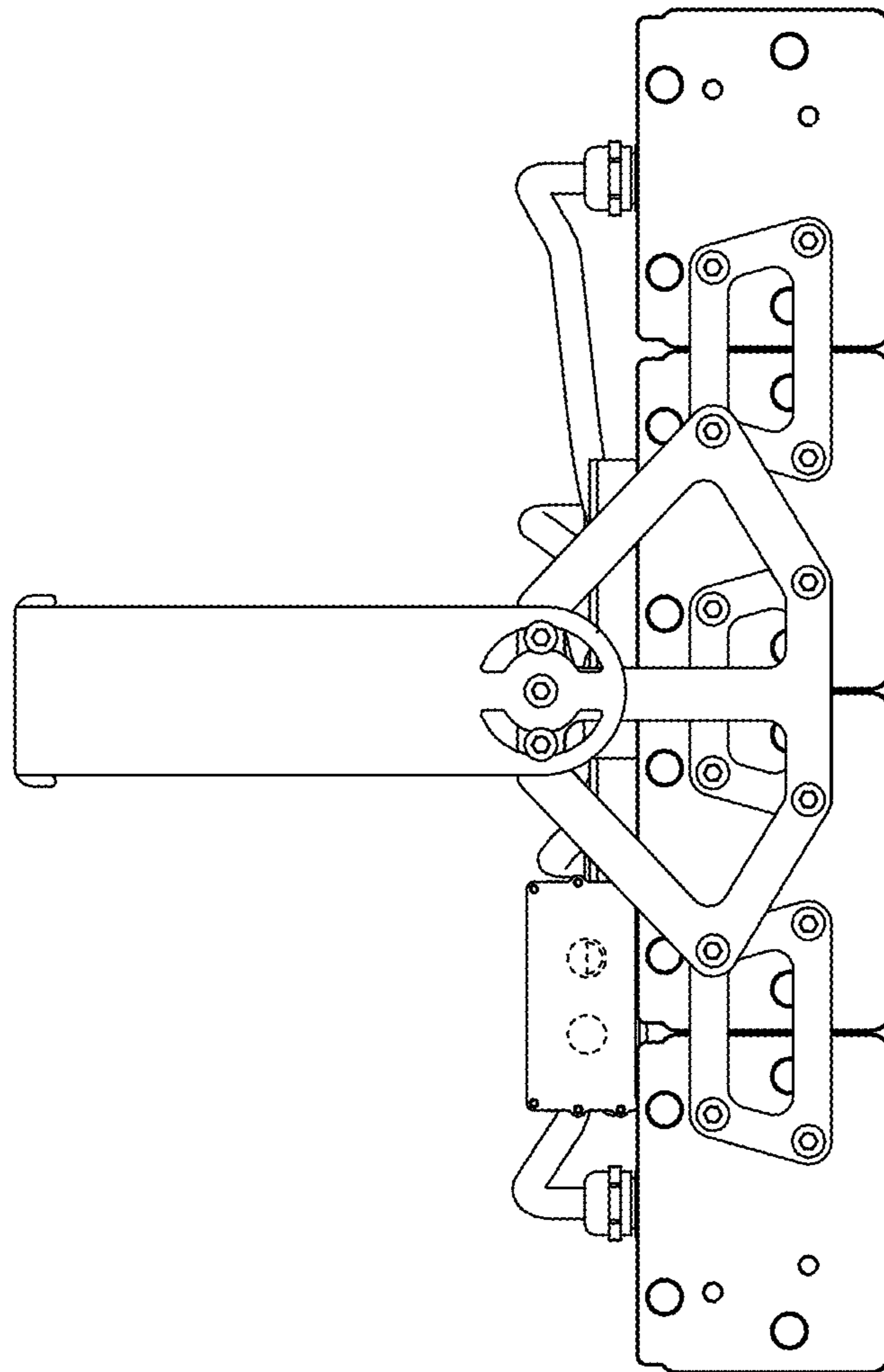


Figure 6

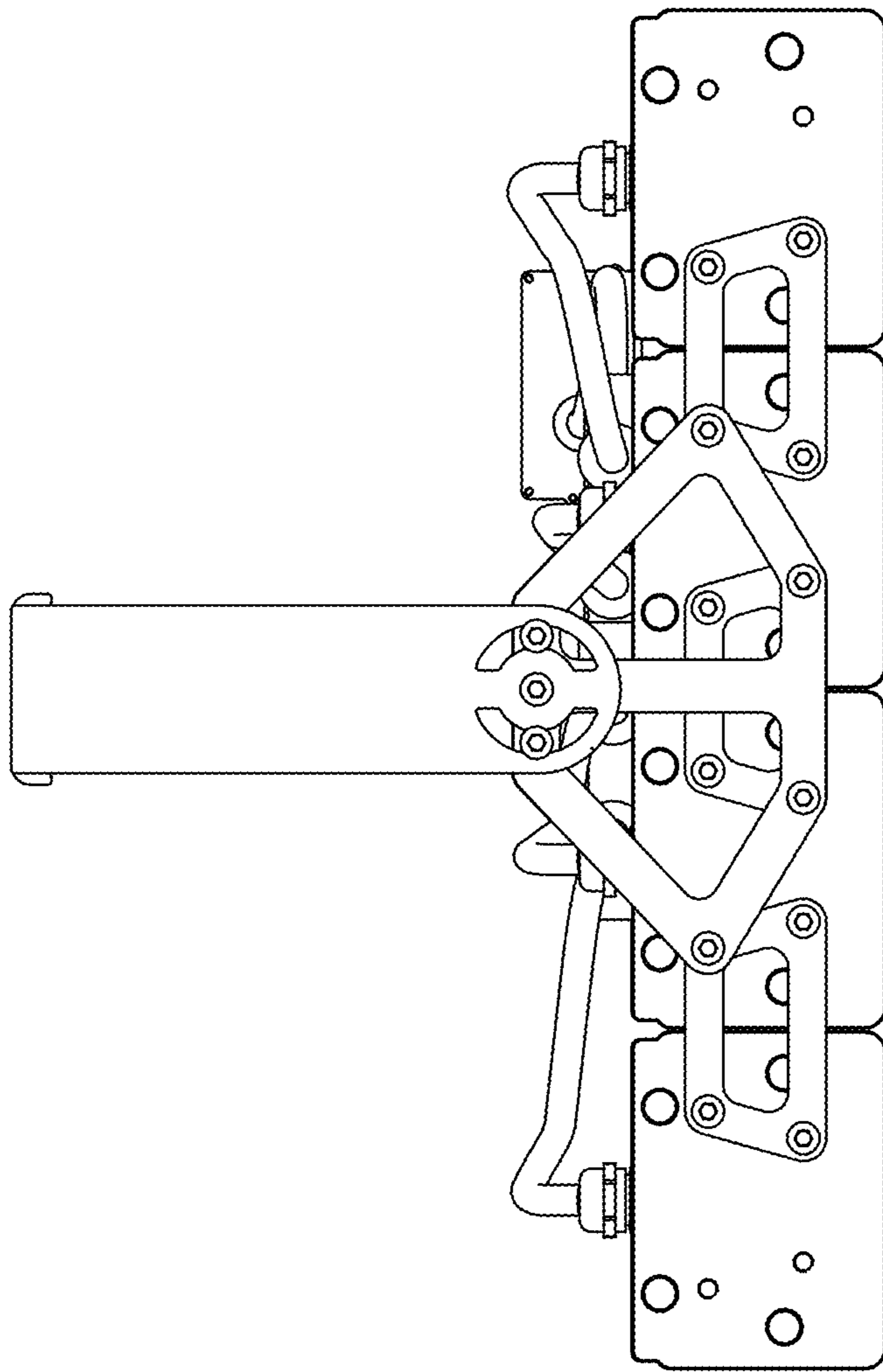


Figure 7