



US00D814680S

(12) **United States Design Patent** (10) **Patent No.:** **US D814,680 S**  
**Altamura et al.** (45) **Date of Patent:** **\*\* Apr. 3, 2018**

(54) **PROJECTOR LIGHT**

(71) Applicant: **Seasonal Specialties, LLC**, Eden Prairie, MN (US)  
 (72) Inventors: **Steven J. Altamura**, Scarsdale, NY (US); **Weng Yunbing**, Taizhou (CN); **Chen YongTai**, WenLin (CN)

(73) Assignee: **Seasonal Specialties, LLC**, Eden Prairie, MN (US)

(\*\*) Term: **15 Years**

(21) Appl. No.: **29/583,073**

(22) Filed: **Nov. 2, 2016**

(51) **LOC (11) Cl.** ..... **26-03**

(52) **U.S. Cl.**  
USPC ..... **D26/63**

(58) **Field of Classification Search**  
 USPC ..... D26/1, 24, 61, 63, 65, 85, 92  
 CPC ..... F21V 21/14; F21V 15/01; F21V 14/02;  
 F21V 21/30; F21V 21/00; F21V 14/00;  
 F21S 8/00; F21S 8/003; F21S 8/043;  
 F21Y 2105/001  
 See application file for complete search history.

(56) **References Cited**

**U.S. PATENT DOCUMENTS**

D414,579 S \* 9/1999 Denison ..... D26/63  
 6,902,292 B2 6/2005 Lai

D542,959 S \* 5/2007 Yao ..... D26/63  
 D559,091 S \* 1/2008 Skorka ..... D8/367  
 D574,532 S \* 8/2008 Lee ..... D26/63  
 D625,871 S \* 10/2010 Huang ..... D26/63  
 D659,871 S \* 5/2012 Lee ..... D26/63  
 D773,707 S \* 12/2016 Lentine ..... D26/63  
 D800,938 S \* 10/2017 Guercio ..... D26/63  
 2016/0025309 A1 1/2016 Zhang

\* cited by examiner

*Primary Examiner* — Brian N. Vinson

(74) *Attorney, Agent, or Firm* — Altera Law Group, LLC

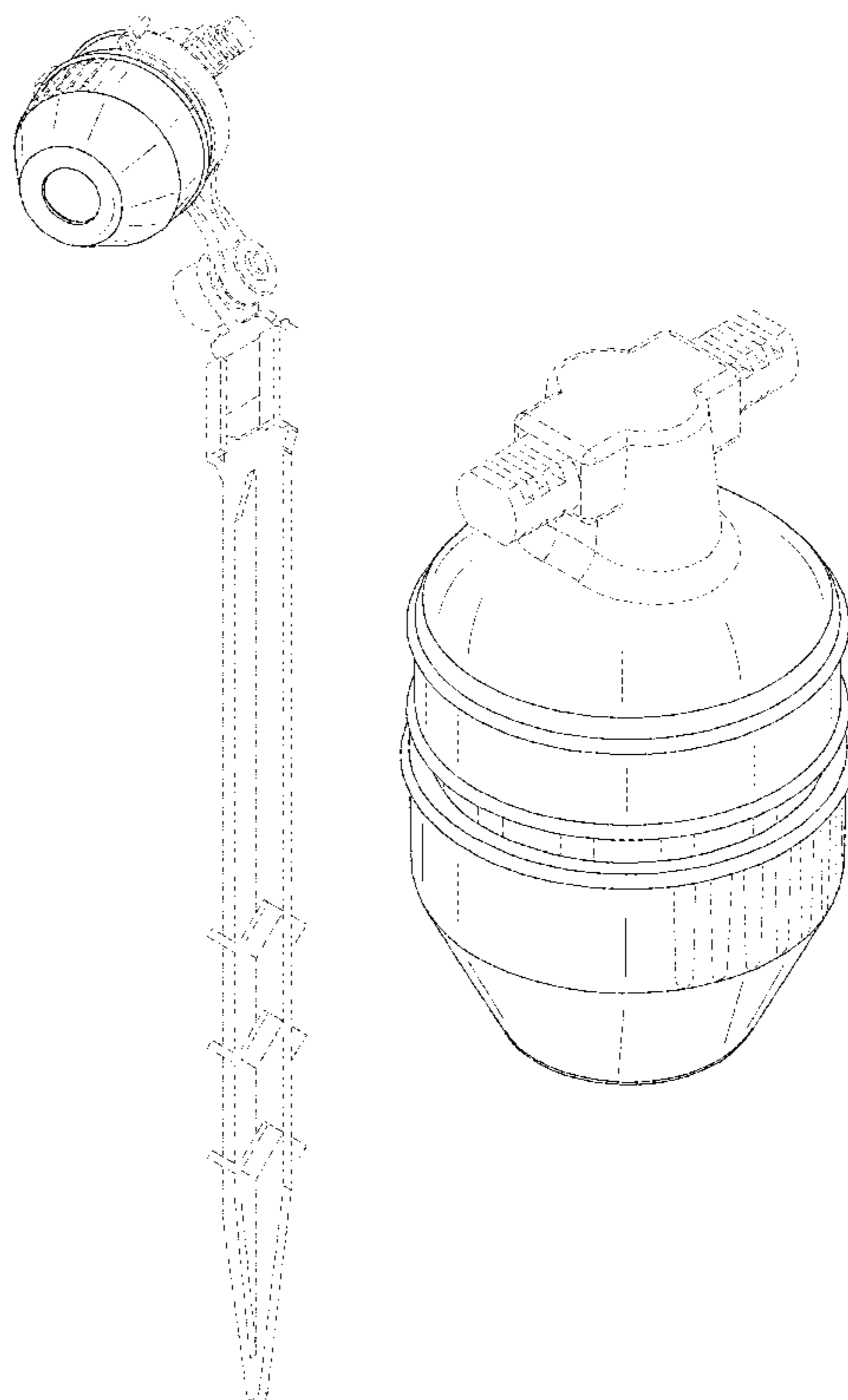
(57) **CLAIM**

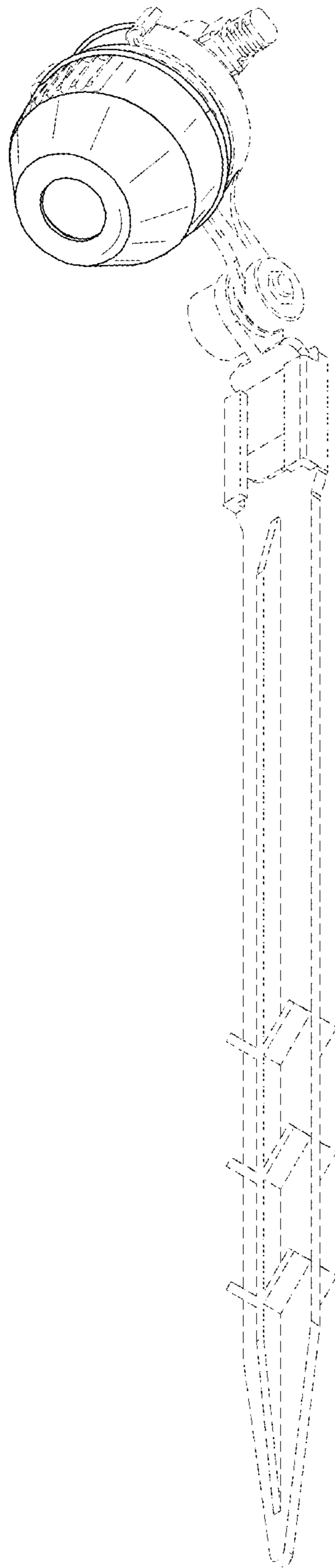
The ornamental design for a projector light, as shown and described.

**DESCRIPTION**

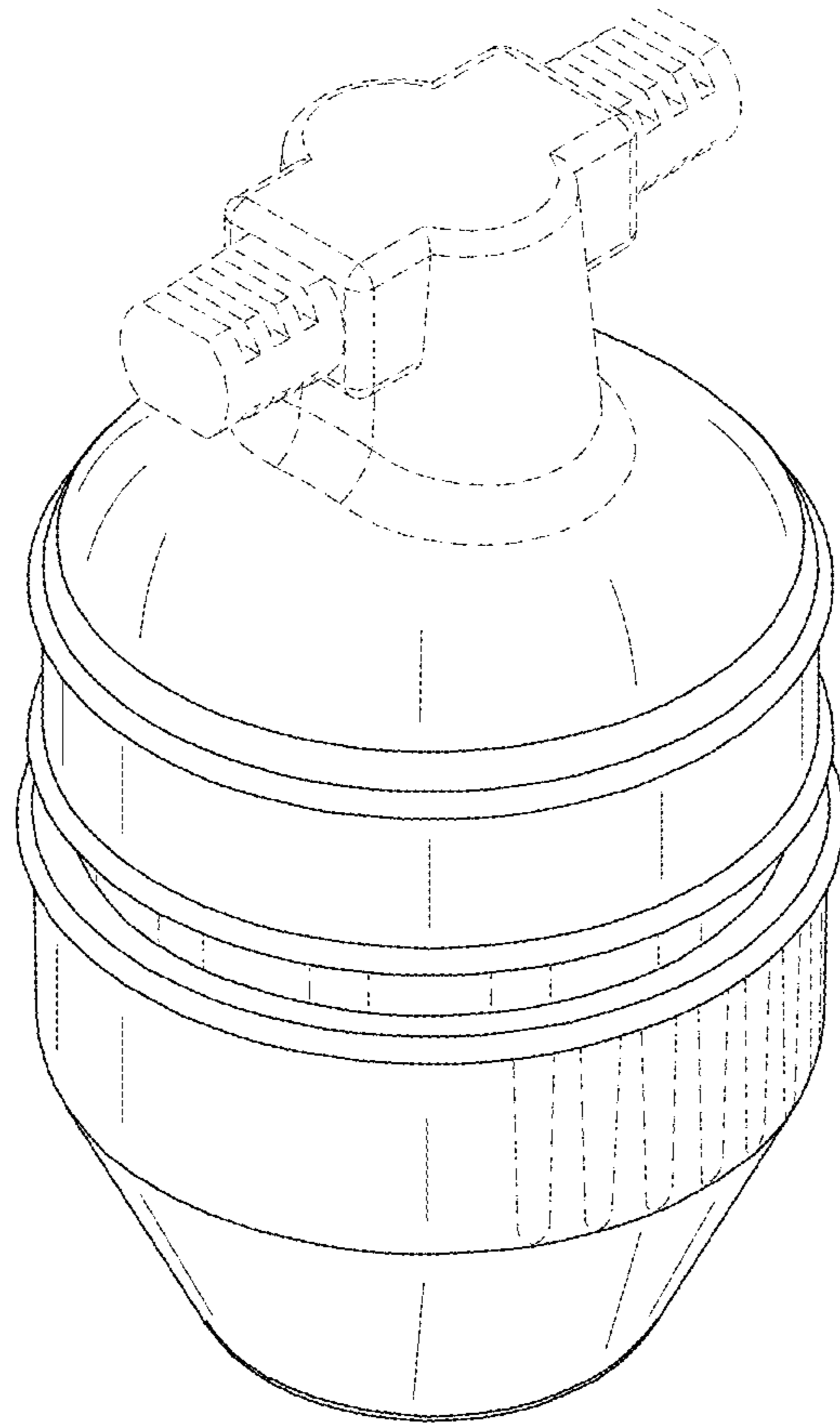
FIG. 1 is a perspective view of a projector head and yoke.  
 FIG. 2 is a rear perspective view of the projector head assembled thereof.  
 FIG. 3 is a right side view of FIG. 1 thereof.  
 FIG. 4 is a left side view of FIG. 1 thereof.  
 FIG. 5 is a front view of FIG. 1 thereof.  
 FIG. 6 is a rear view of FIG. 1 thereof.  
 FIG. 7 is a top view of FIG. 1 thereof; and,  
 FIG. 8 is a bottom view of FIG. 1 thereof.  
 The broken line disclosure in the views represents portions of the projector light which form no part of the claimed design.

**1 Claim, 5 Drawing Sheets**

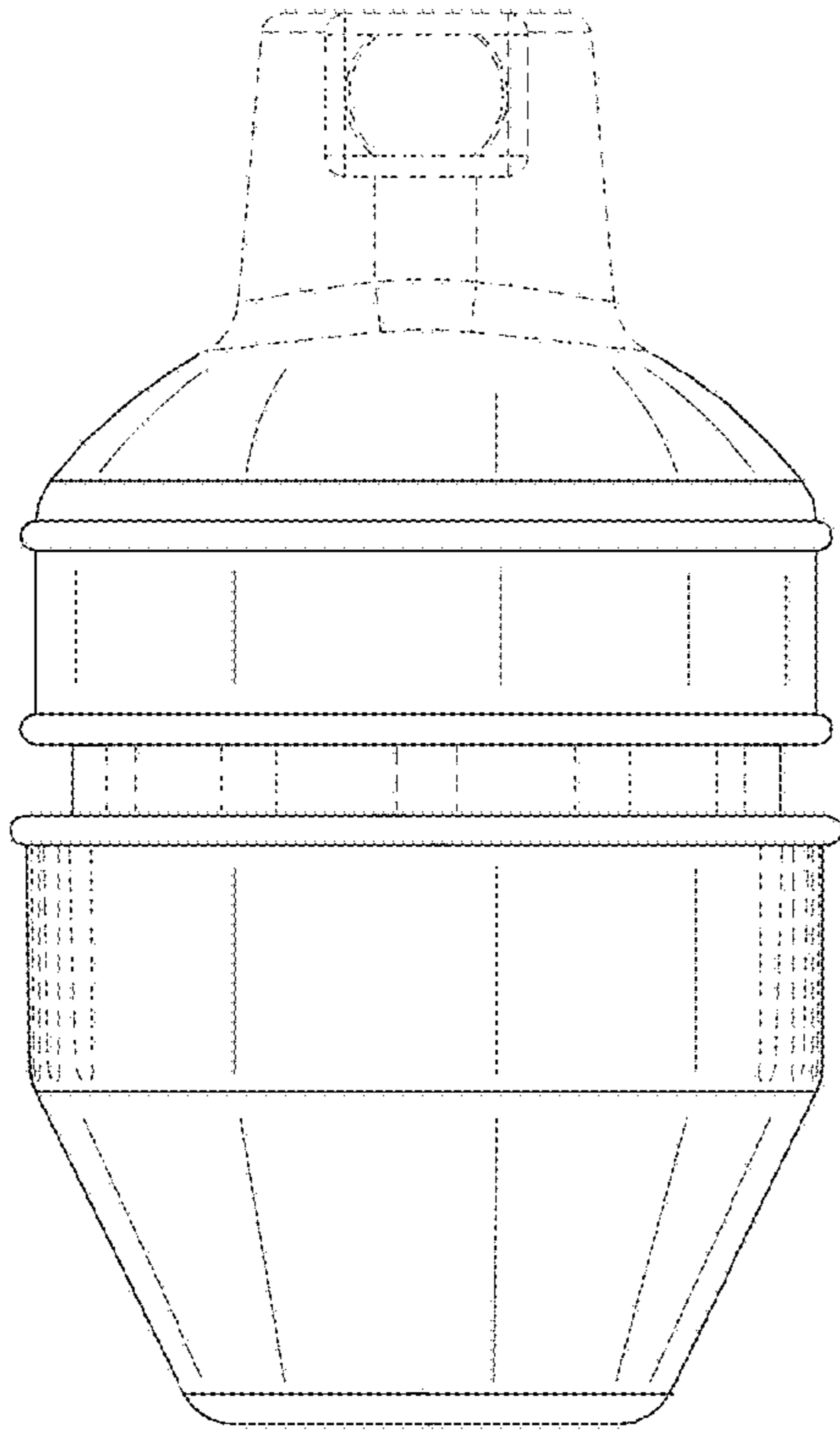




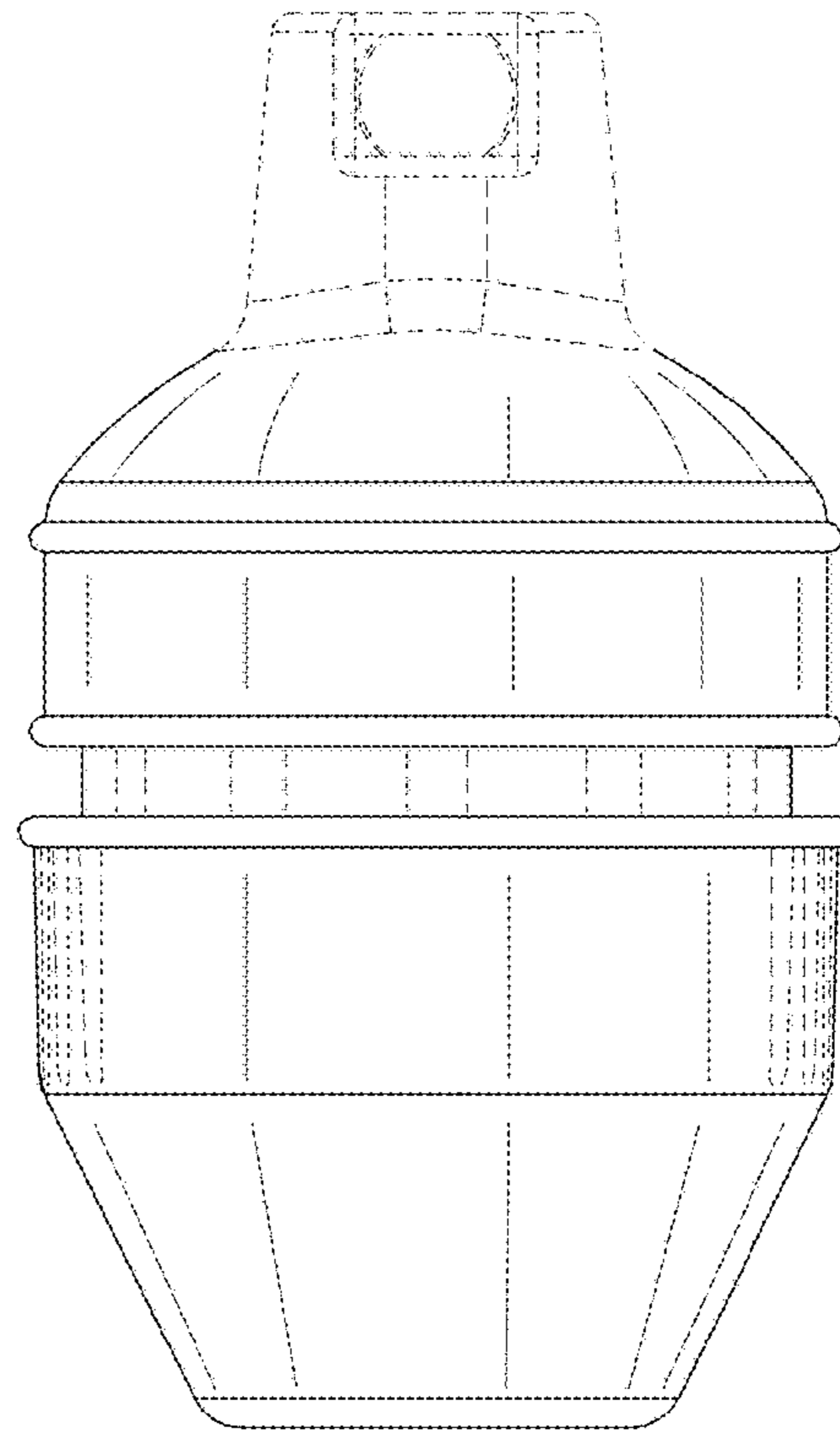
**FIG. 1**



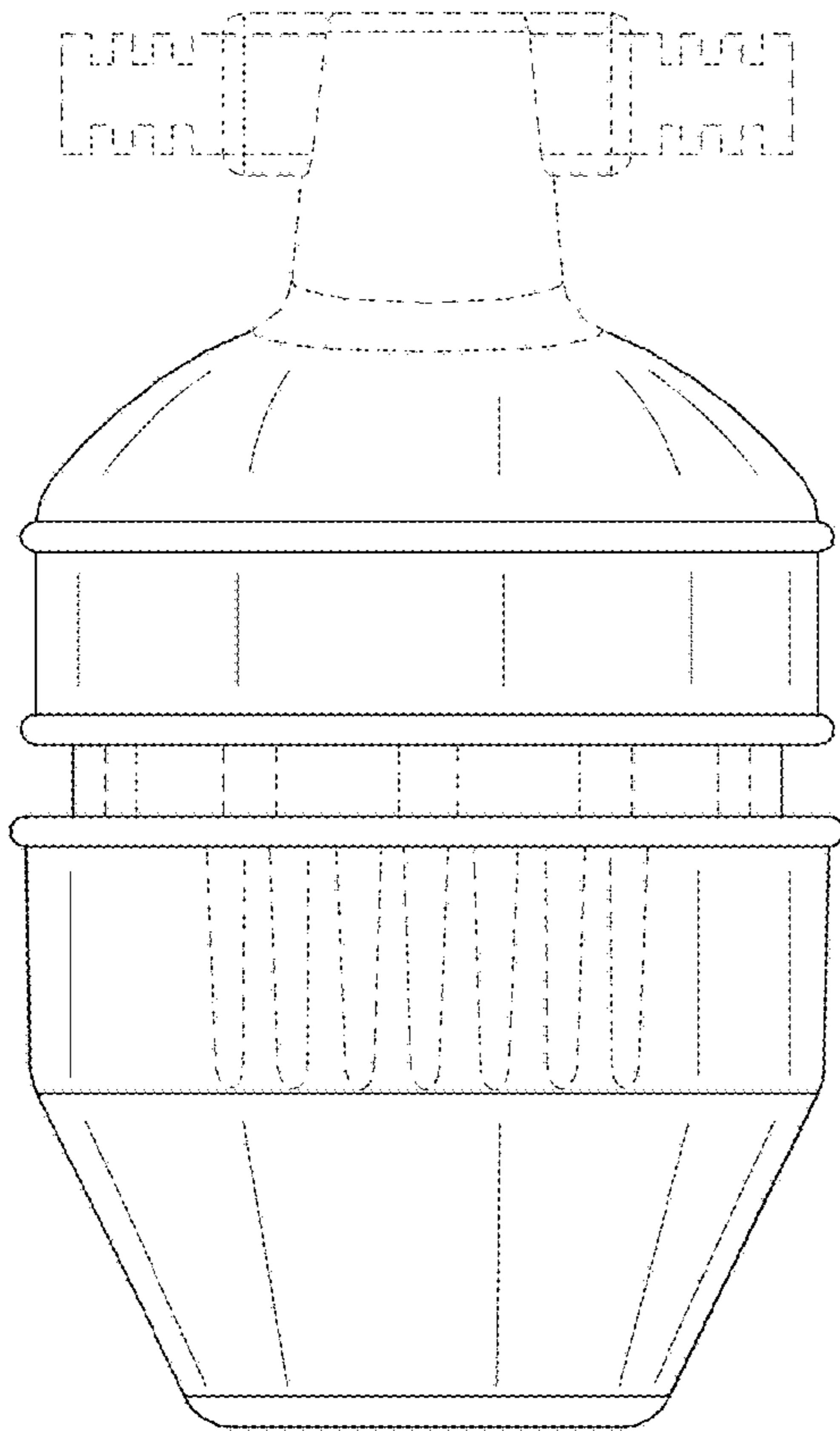
**FIG. 2**



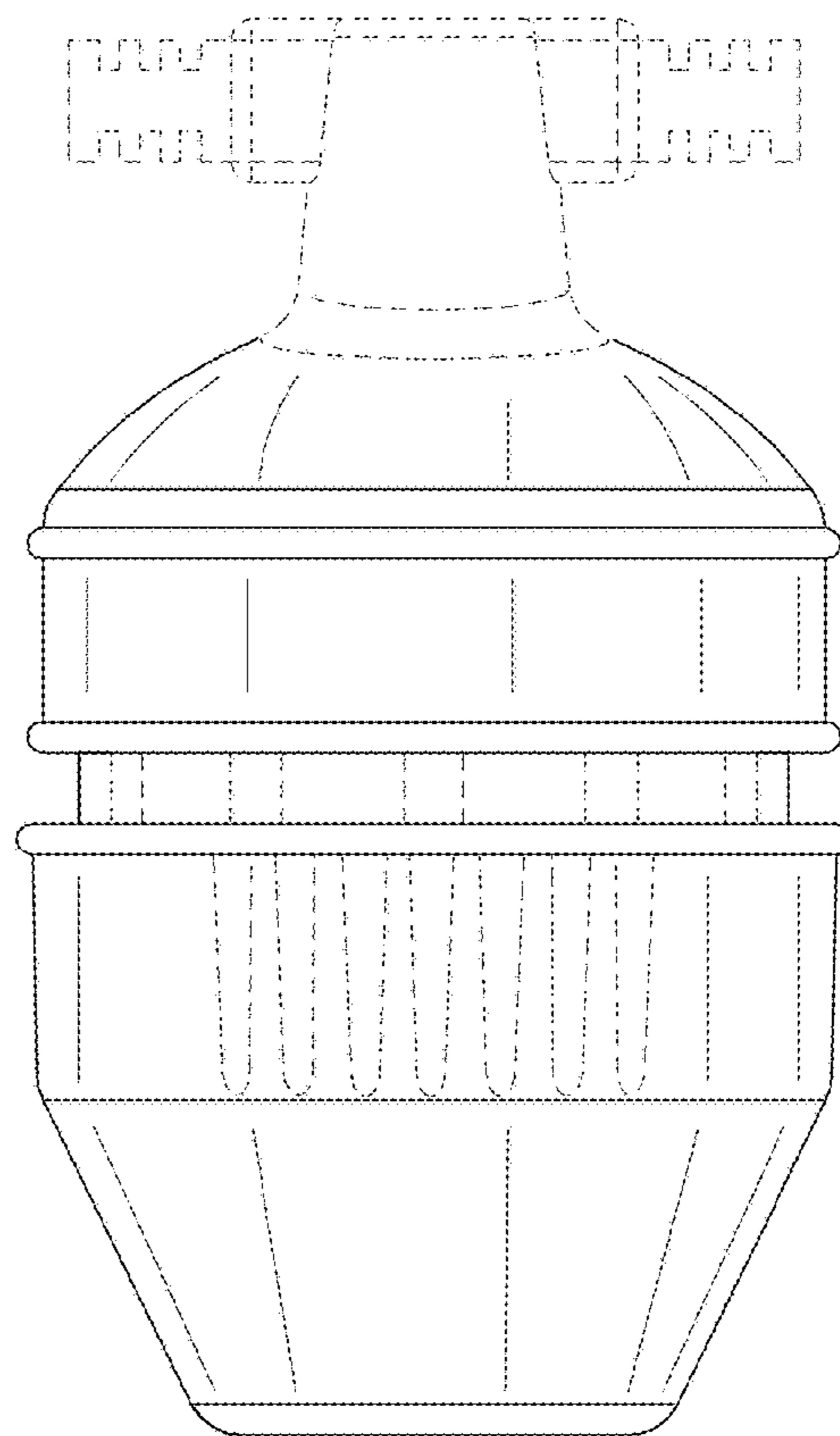
**FIG. 3**



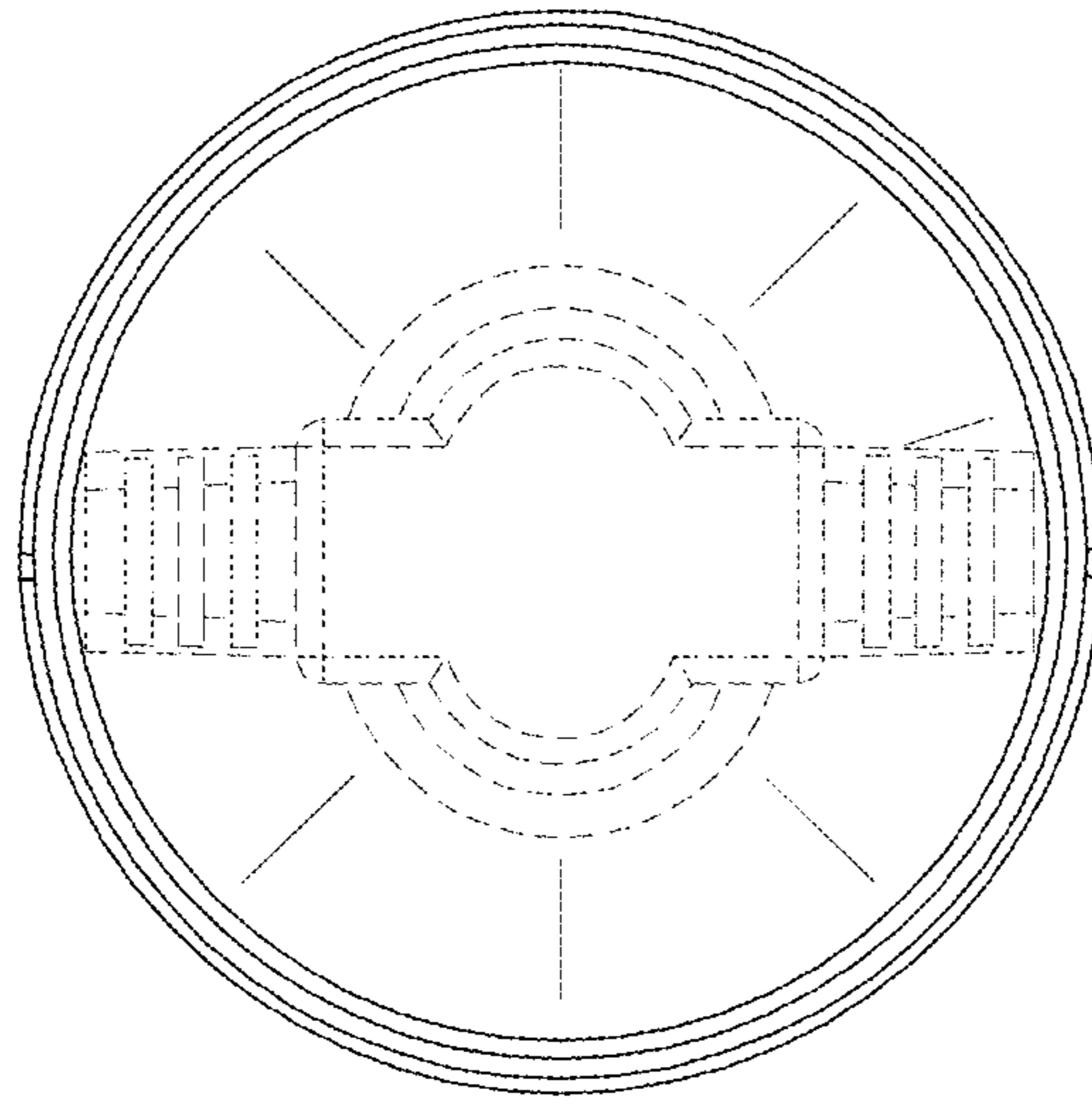
**FIG. 4**



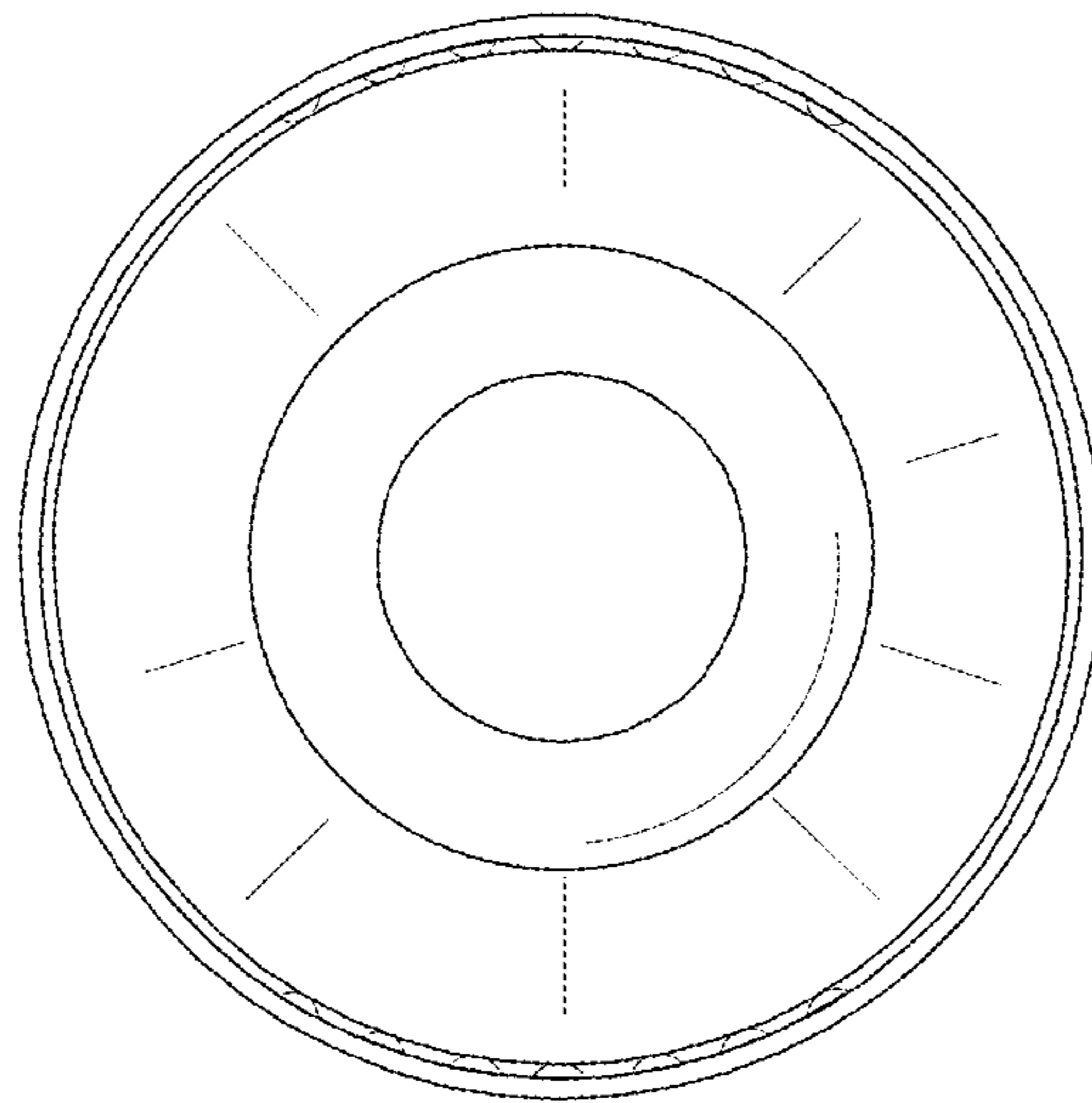
**FIG. 5**



**FIG. 6**



**FIG. 7**



**FIG. 8**