



US00D814679S

(12) **United States Design Patent**  
**Pan et al.**

(10) **Patent No.:** **US D814,679 S**  
(45) **Date of Patent:** **\*\* Apr. 3, 2018**

(54) **LIGHT**

(71) Applicant: **Ningbo Mayflower Optoelectronics Co., Ltd.**, Ningbo (CN)  
(72) Inventors: **Jian-Guang Pan**, Ningbo (CN); **Stefan Feustel**, Ningbo (CN)  
(73) Assignee: **NINGBO MAYFLOWER OPTOELECTRONICS CO., LTD.**, Ningbo (CN)

(\*\*) Term: **15 Years**

(21) Appl. No.: **29/579,550**

(22) Filed: **Sep. 30, 2016**

(30) **Foreign Application Priority Data**

Aug. 10, 2016 (CN) ..... 2016 3 0395086

(51) **LOC (11) Cl.** ..... **26-03**

(52) **U.S. Cl.**  
USPC ..... **D26/63**

(58) **Field of Classification Search**  
USPC ..... D26/1, 24, 61, 63, 65, 85, 92  
CPC ..... F21V 21/14; F21V 15/01; F21V 14/02;  
F21V 21/30; F21V 21/00; F21V 14/00;  
F21S 8/00; F21S 8/003; F21S 8/043;  
F21Y 2105/001

See application file for complete search history.

(56) **References Cited**

U.S. PATENT DOCUMENTS

D291,360 S *	8/1987	De Vos	.....	D26/63
D552,782 S *	10/2007	Korpi	.....	D26/63
D564,688 S *	3/2008	Korpi	.....	D26/63
D700,726 S *	3/2014	Kim	.....	D26/63
D712,581 S *	9/2014	Scarlata	.....	D26/63
D767,806 S *	9/2016	Colacilli	.....	D26/63
D782,718 S *	3/2017	Ko	.....	D26/63

\* cited by examiner

*Primary Examiner* — Brian N. Vinson

(74) *Attorney, Agent, or Firm* — Getech Law LLC

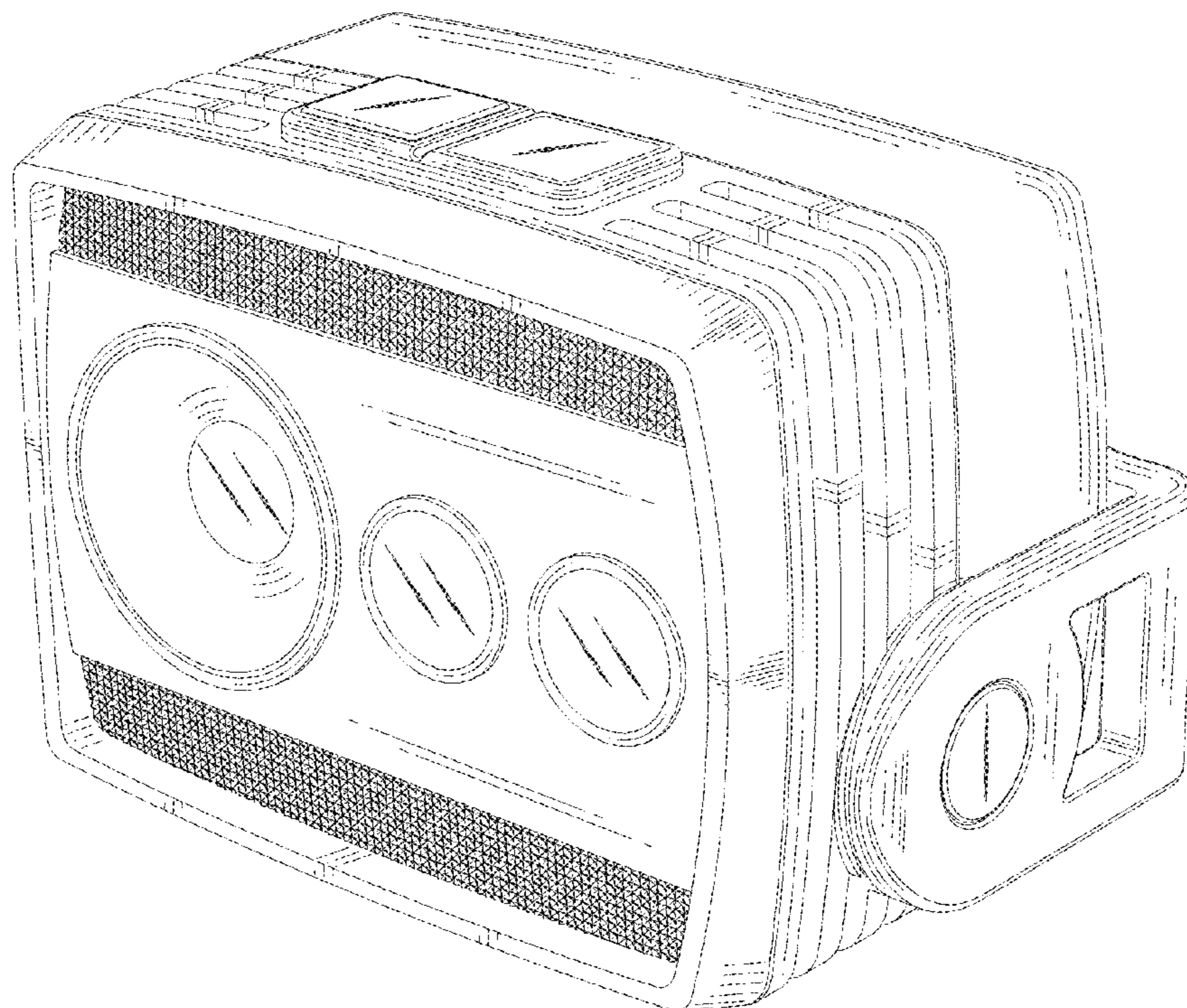
(57) **CLAIM**

The ornamental design for a light, as shown and described.

**DESCRIPTION**

FIG. 1 is a perspective view of a light showing our new design;  
FIG. 2 is a front elevational view thereof;  
FIG. 3 is a rear elevational view thereof;  
FIG. 4 is a left side elevational view thereof;  
FIG. 5 is a right side elevational view thereof;  
FIG. 6 is a top plan view thereof; and,  
FIG. 7 is a bottom plan view thereof.  
The broken lines shown represent unclaimed subject matter and form no part of the claimed design.

**1 Claim, 7 Drawing Sheets**



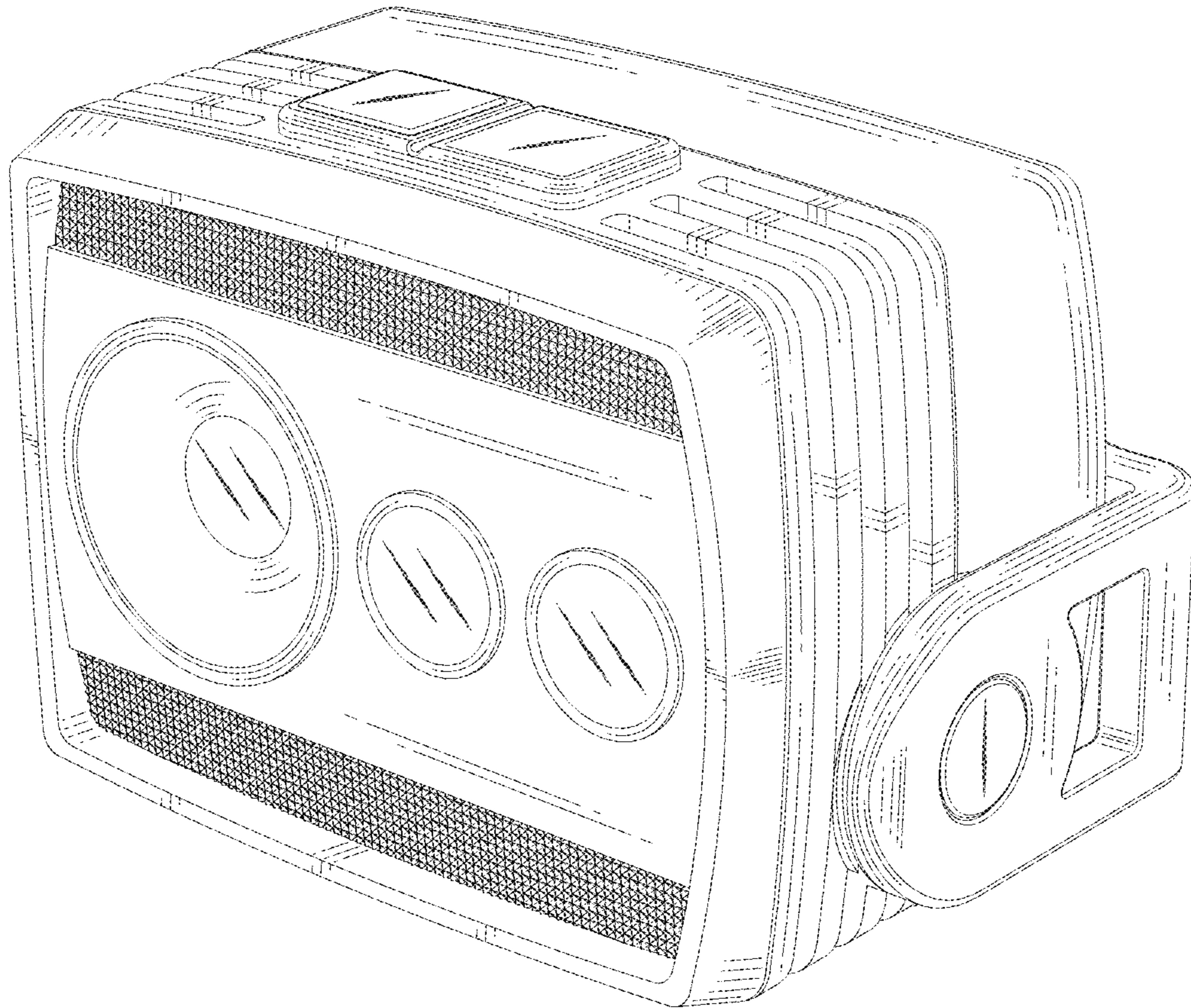


Fig. 1



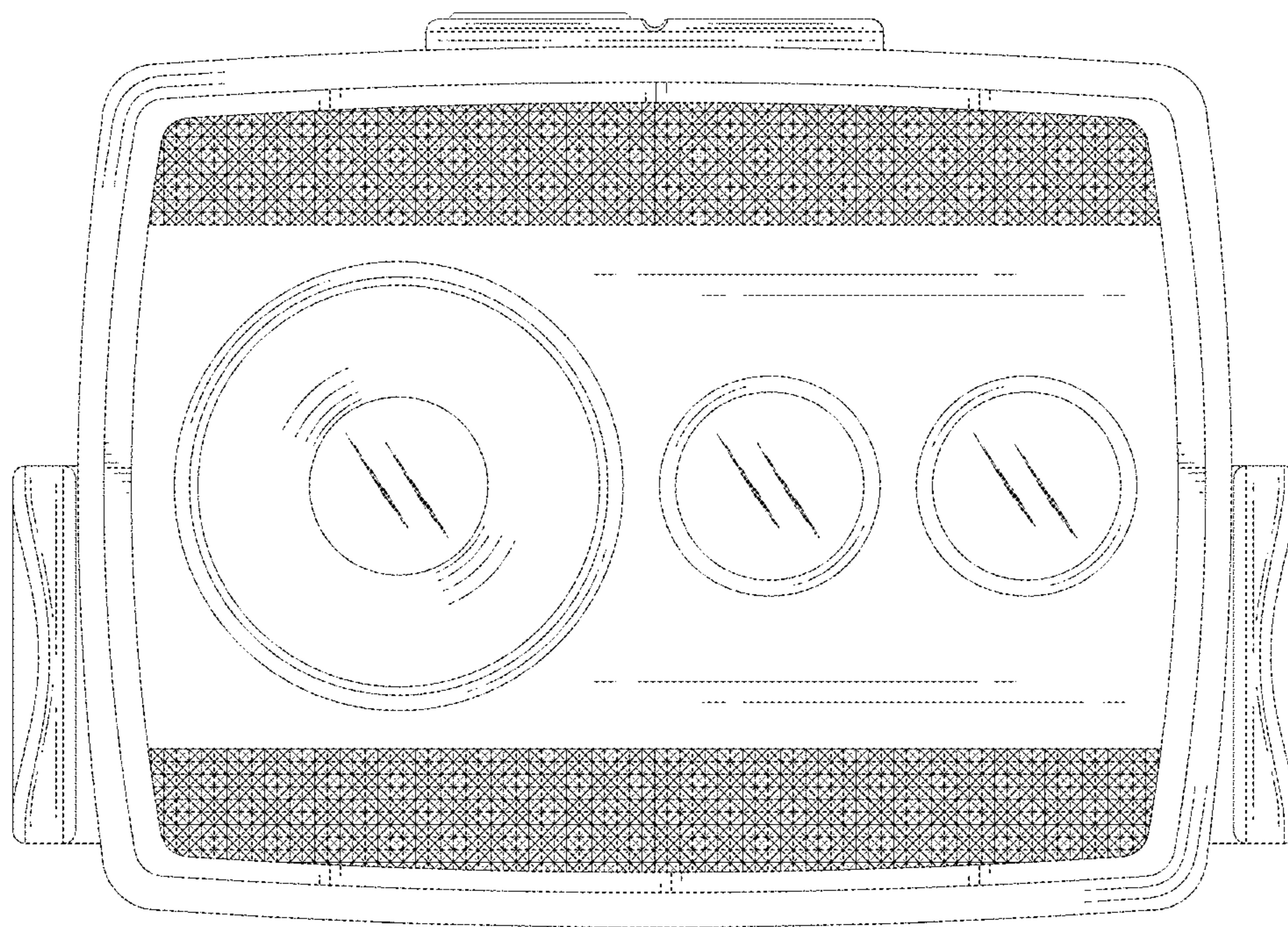


Fig. 2

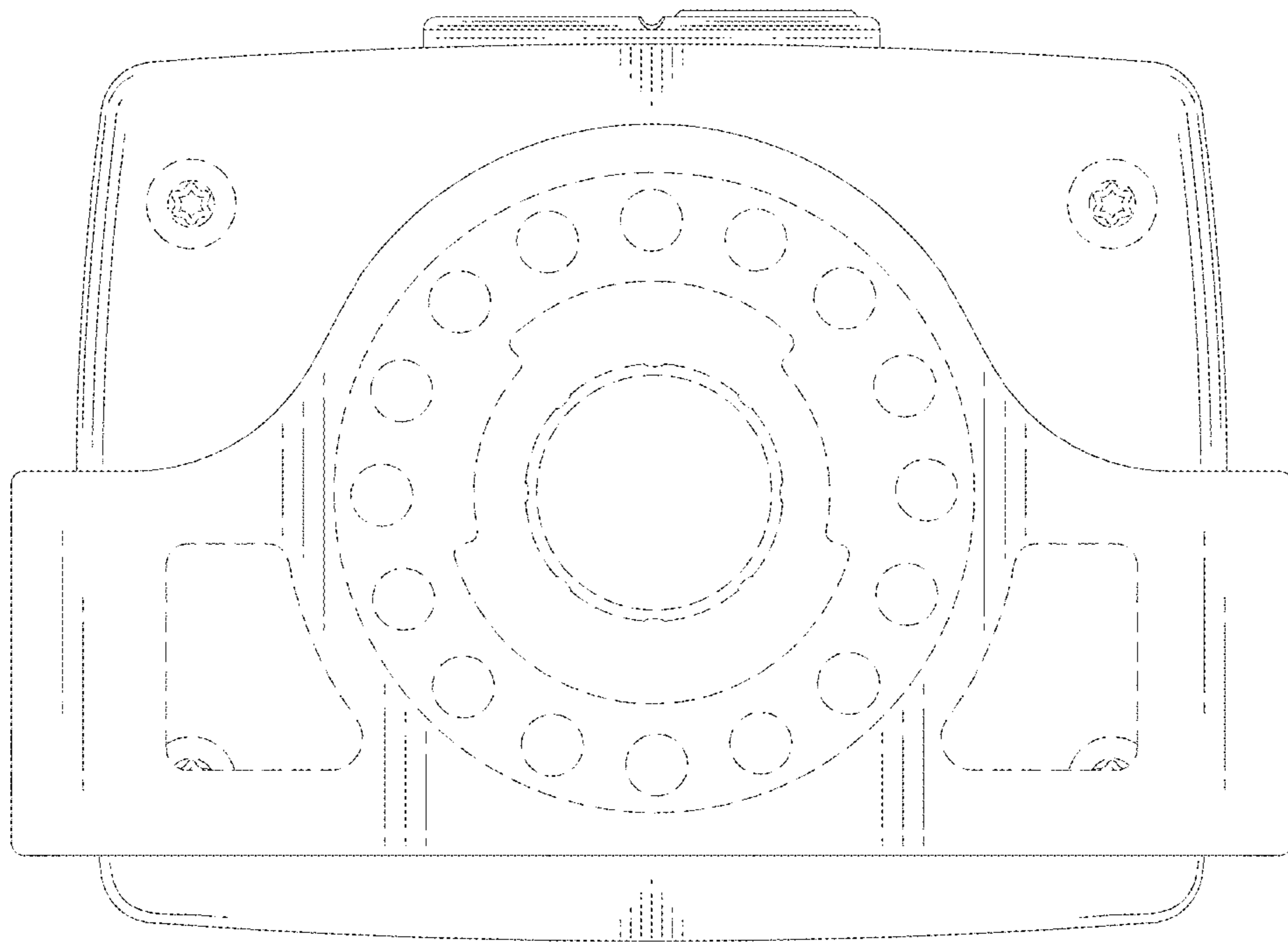


Fig. 3

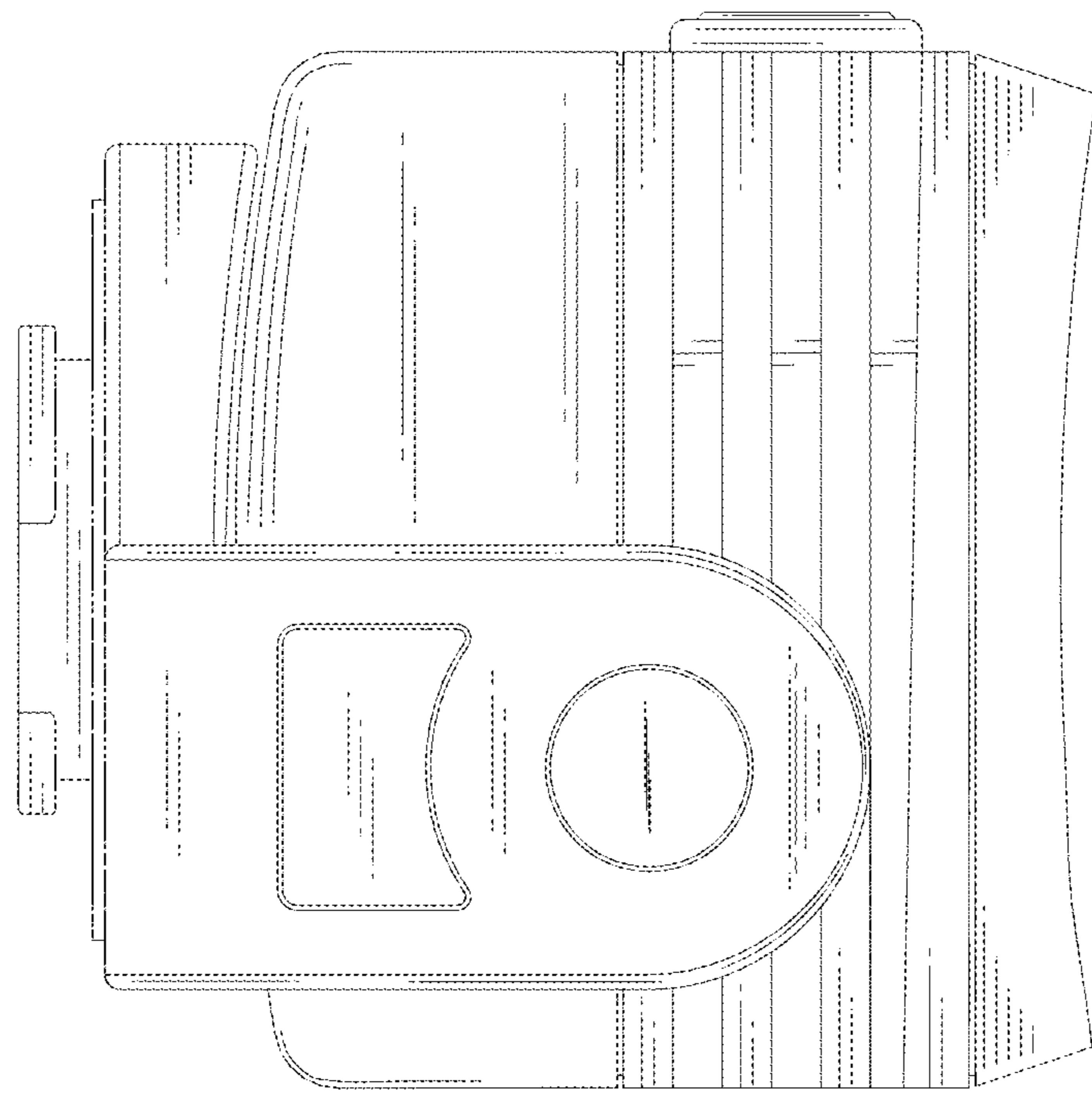


Fig. 4

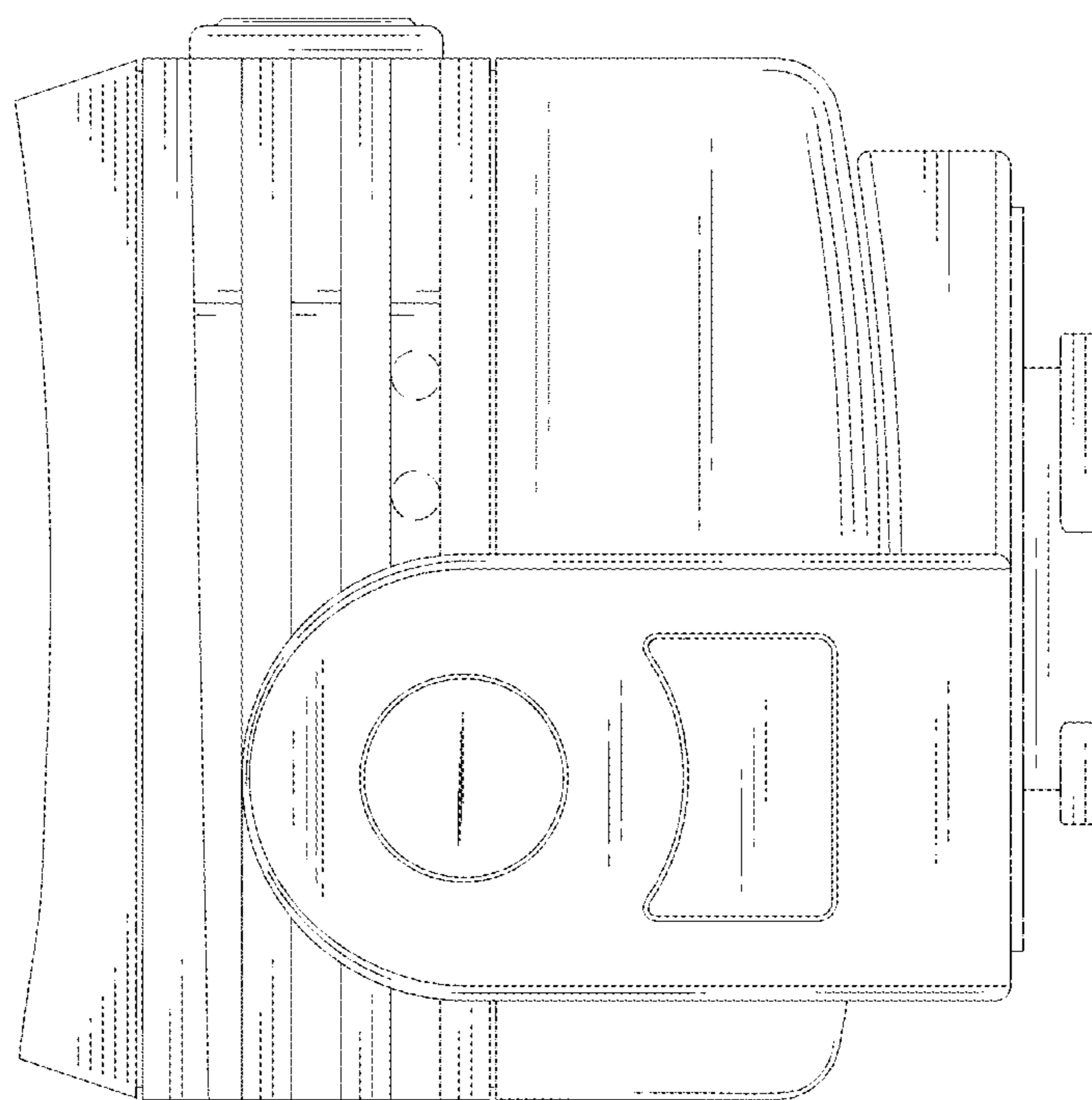


Fig. 5

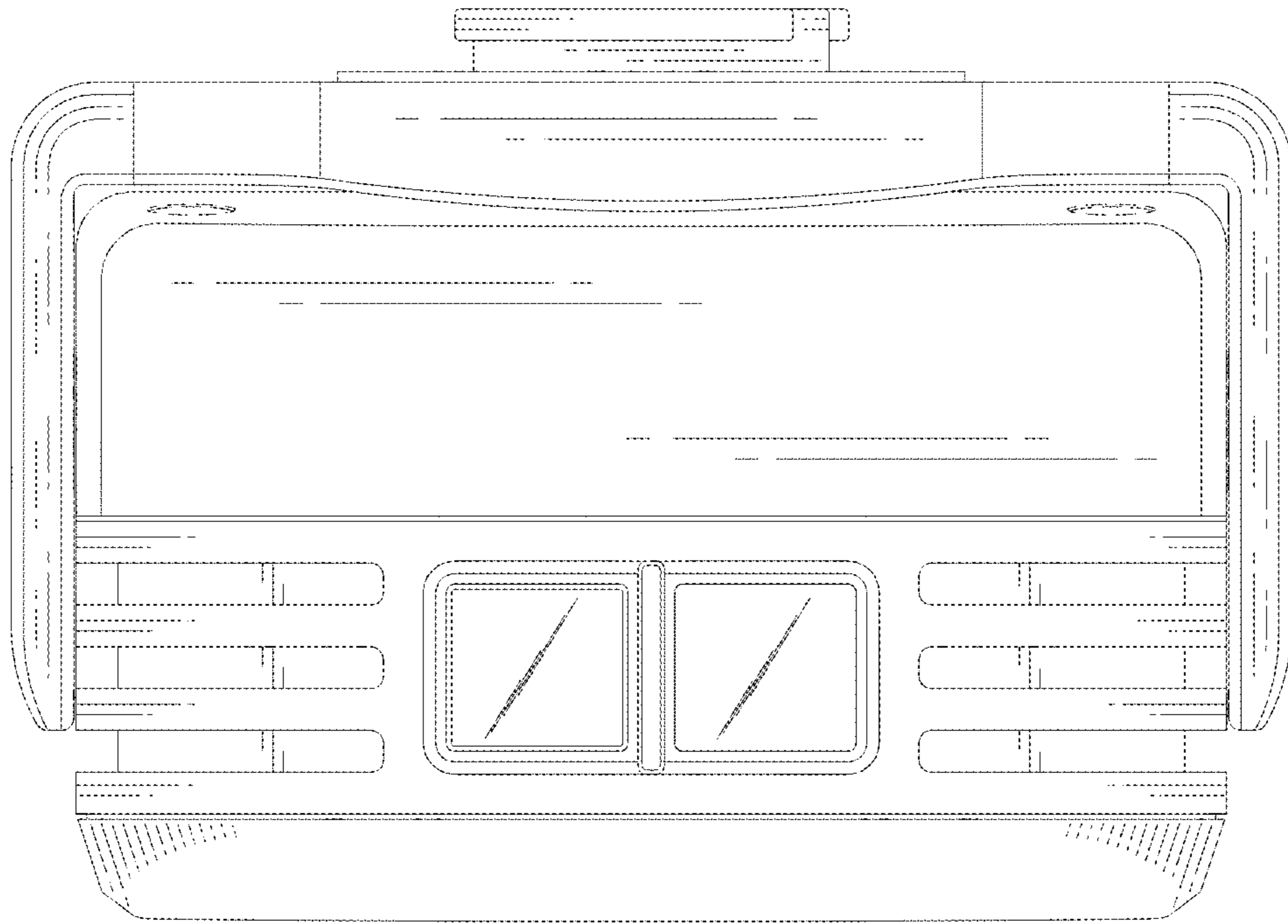


Fig. 6

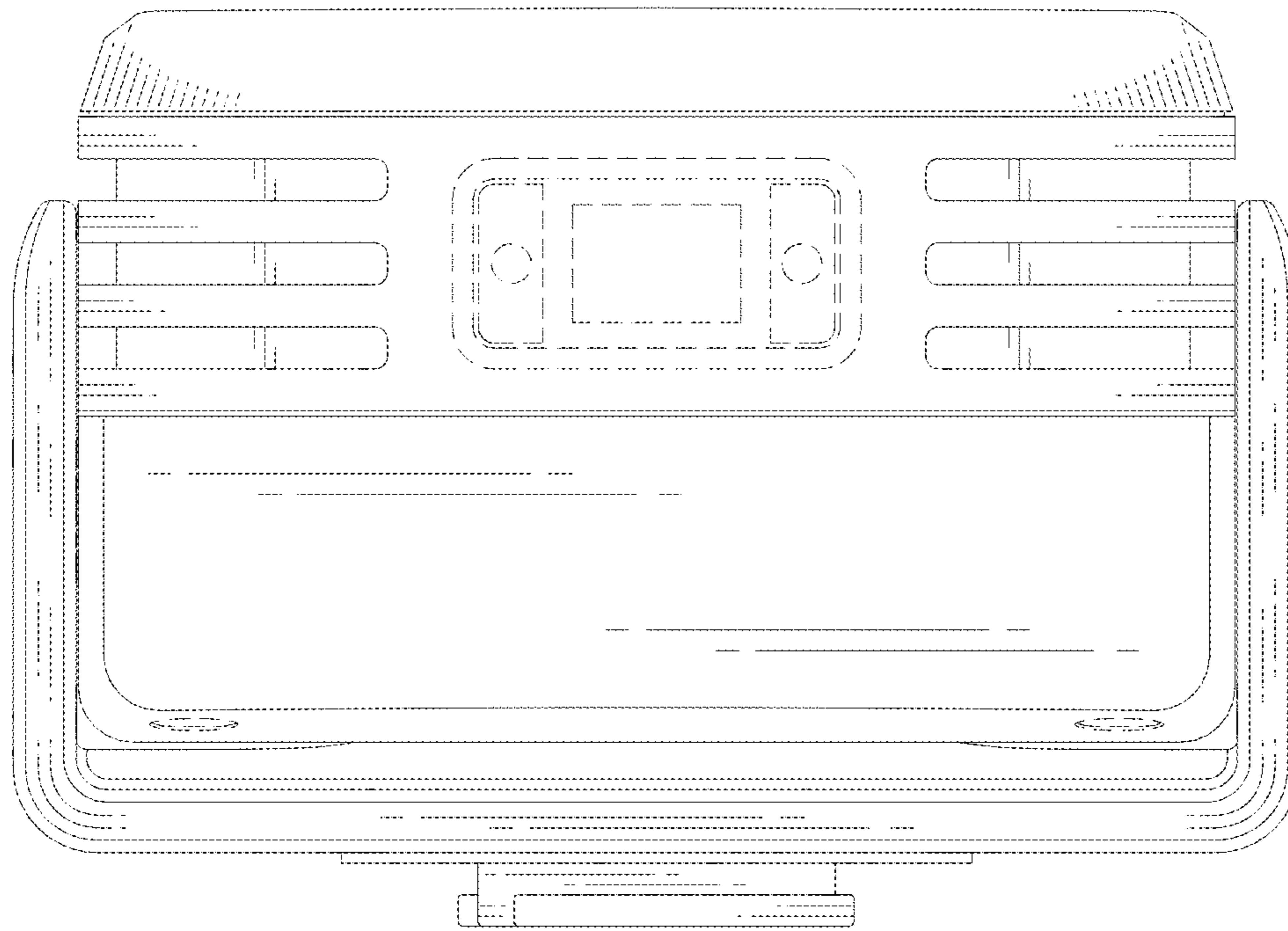


Fig. 7