



US00D814678S

(12) **United States Design Patent**  
**Zhan**

(10) **Patent No.:** **US D814,678 S**

(45) **Date of Patent:** **\*\* Apr. 3, 2018**

(54) **LED LIGHT**

(71) Applicant: **Xiamen Fulaishi Film Tools Co., Ltd.,**  
Xiamen (CN)

(72) Inventor: **Qiang Zhan,** Xiamen (CN)

(73) Assignee: **Xiamen Fulaishi Film Tools Co., Ltd.,**  
Xiamen (CN)

(\*\*) Term: **15 Years**

(21) Appl. No.: **29/576,847**

(22) Filed: **Sep. 7, 2016**

(51) **LOC (11) Cl.** ..... **26-03**

(52) **U.S. Cl.**  
USPC ..... **D26/63**

(58) **Field of Classification Search**  
USPC ..... D26/1, 24, 61, 63, 65, 85, 92  
CPC ..... F21V 21/14; F21V 15/01; F21V 14/02;  
F21V 21/30; F21V 21/00; F21V 14/00;  
F21V 19/04; F21S 8/00; F21S 8/003;  
F21S 8/043; F21Y 2105/001  
See application file for complete search history.

(56) **References Cited**

**U.S. PATENT DOCUMENTS**

|           |      |         |                 |       |                       |
|-----------|------|---------|-----------------|-------|-----------------------|
| 4,323,953 | A *  | 4/1982  | Hutchison       | ..... | F21V 19/04<br>362/220 |
| D296,829  | S *  | 7/1988  | Peppers         | ..... | D26/63                |
| D570,024  | S *  | 5/2008  | Guercio         | ..... | D26/63                |
| D611,635  | S *  | 3/2010  | Gordin          | ..... | D26/63                |
| 7,780,318 | B2 * | 8/2010  | Xiao            | ..... | F21V 21/30<br>248/200 |
| D645,184  | S *  | 9/2011  | Zhan            | ..... | D26/63                |
| D693,501  | S *  | 11/2013 | Kochman         | ..... | D26/63                |
| D736,982  | S *  | 8/2015  | Yasuji Fletcher | ..... | D26/63                |

|          |     |        |       |       |        |
|----------|-----|--------|-------|-------|--------|
| D747,526 | S * | 1/2016 | Zhang | ..... | D26/63 |
| D761,472 | S * | 7/2016 | Zhu   | ..... | D26/63 |
| D761,473 | S * | 7/2016 | Zhang | ..... | D26/63 |
| D762,902 | S * | 8/2016 | Ke    | ..... | D26/63 |
| D779,097 | S * | 2/2017 | Xu    | ..... | D26/63 |

\* cited by examiner

*Primary Examiner* — Brian N. Vinson

(74) *Attorney, Agent, or Firm* — Greenberg Traurig, LLP

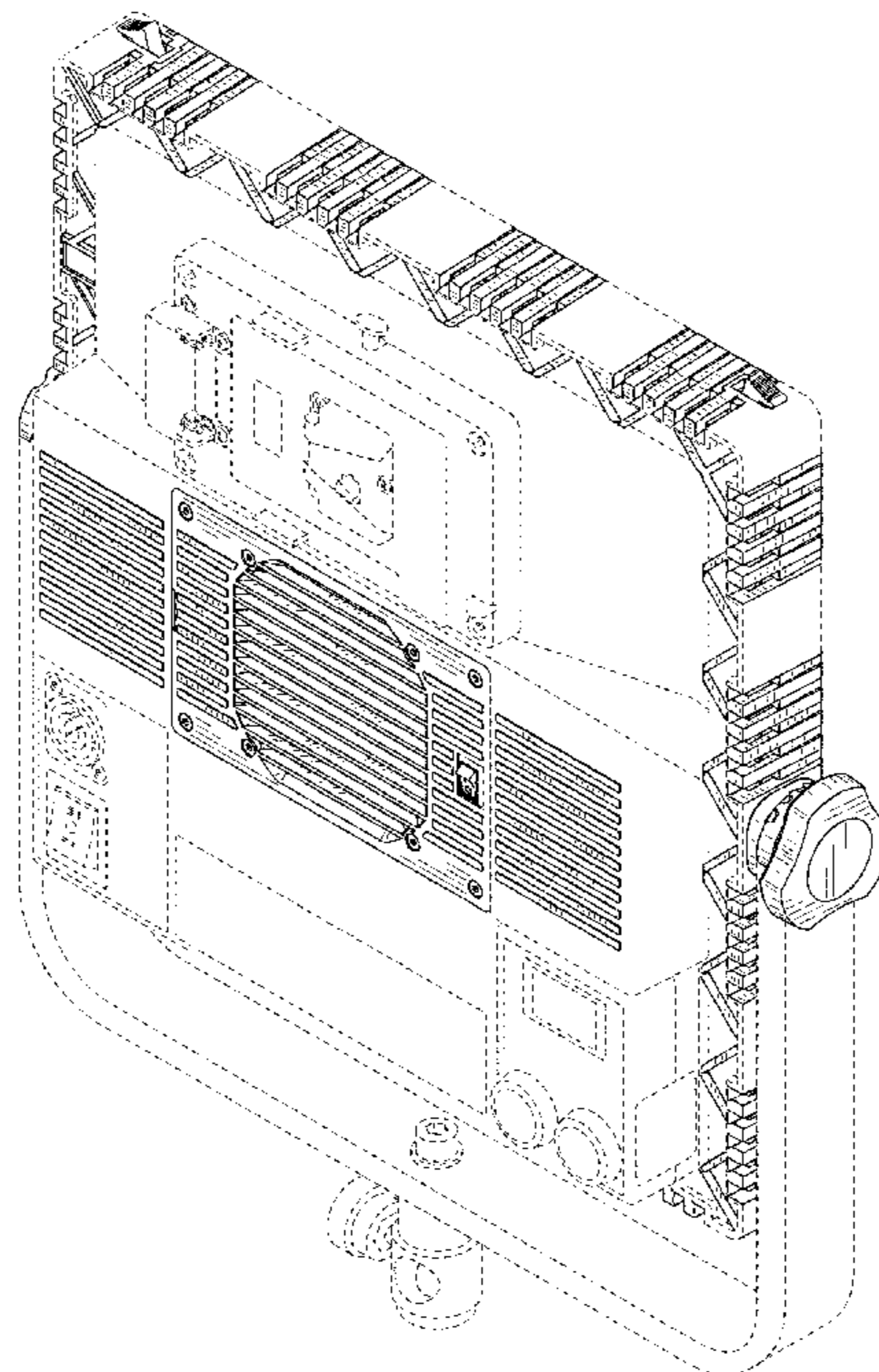
(57) **CLAIM**

The ornamental design for LED light, as shown and described.

**DESCRIPTION**

FIG. 1 is a front right perspective view of LED light showing my new design;  
 FIG. 2 is a front elevation view of the LED light shown in FIG. 1;  
 FIG. 3 is a rear elevation view of the LED light shown in FIG. 1;  
 FIG. 4 is a left side elevation view of the LED light shown in FIG. 1;  
 FIG. 5 is a right side elevation view of the LED light shown in FIG. 1;  
 FIG. 6 is a top plan view of the LED light shown in FIG. 1;  
 and,  
 FIG. 7 is a bottom plan view of the LED light shown in FIG. 1.  
 The broken line disclosure represents portions of the light which forms no part of the claimed design.

**1 Claim, 5 Drawing Sheets**



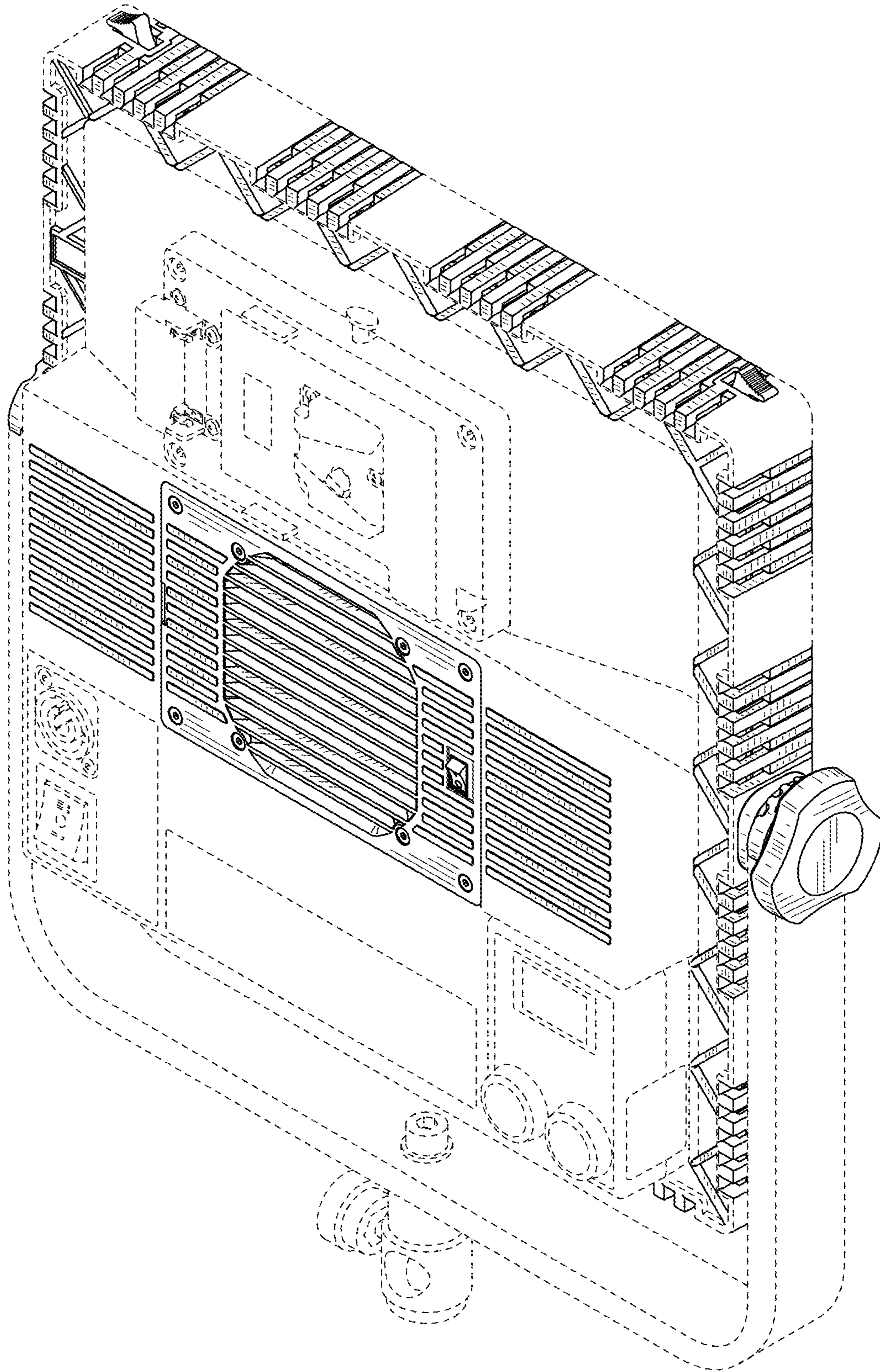


FIG. 1



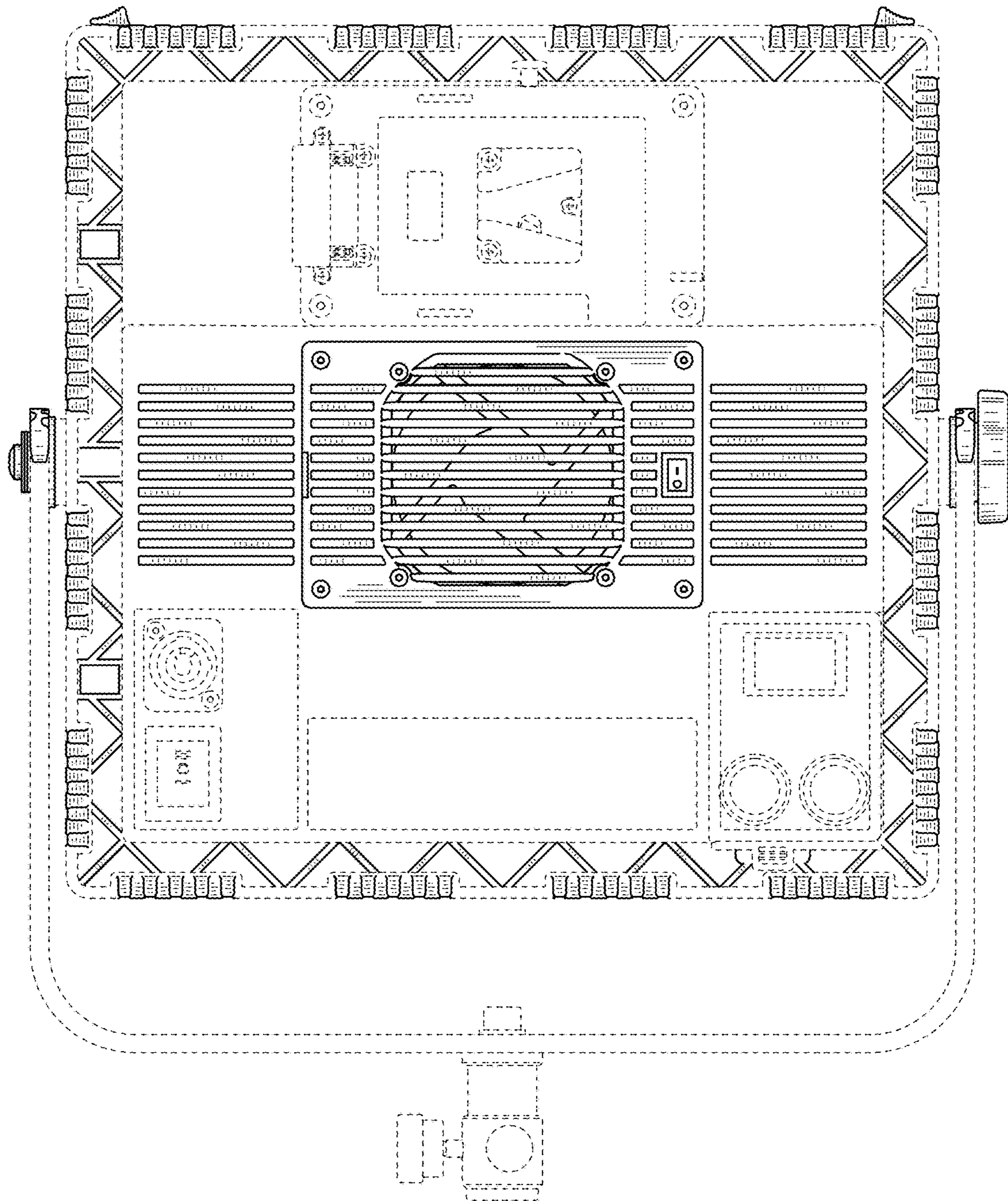


FIG. 2

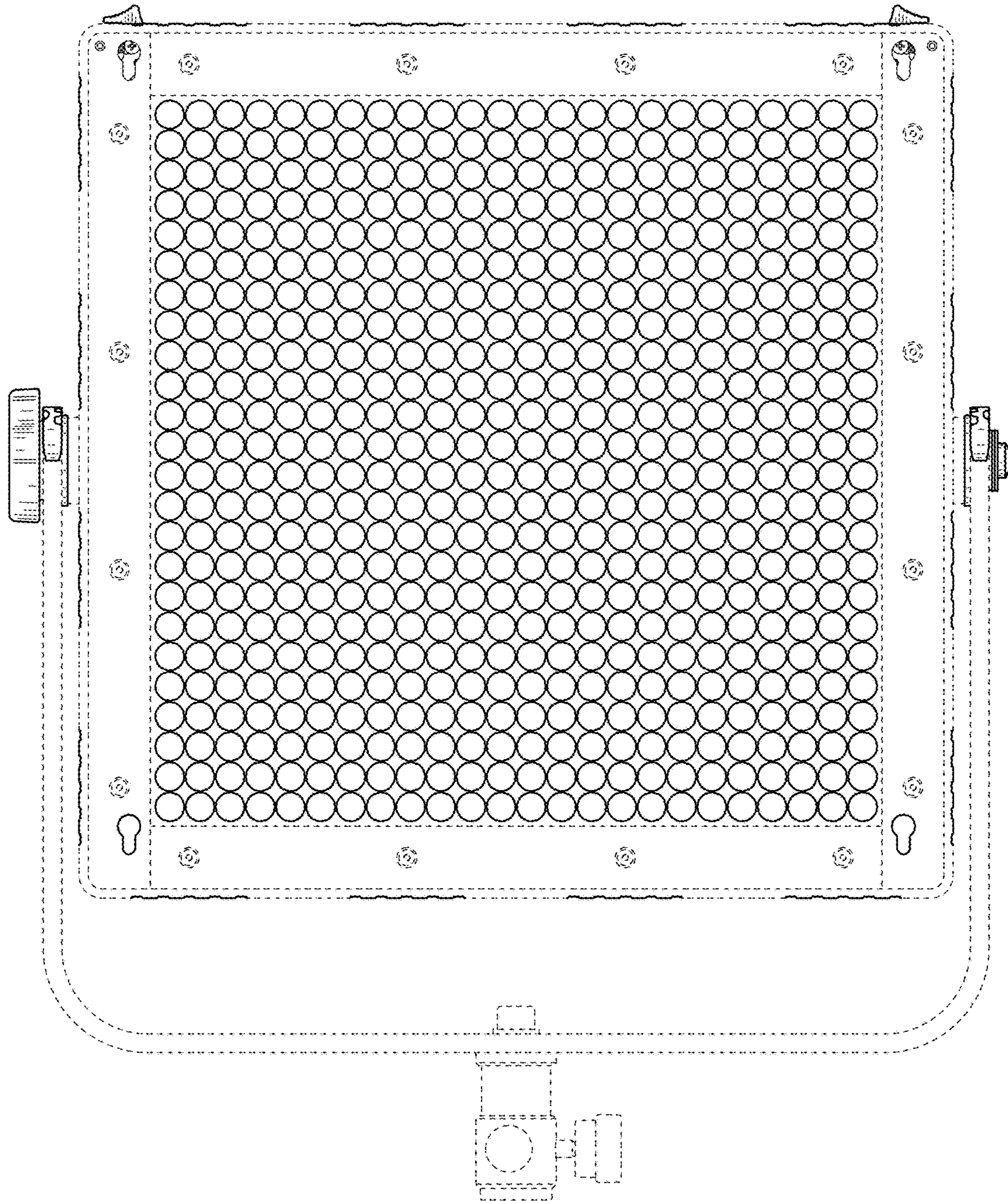


FIG. 3



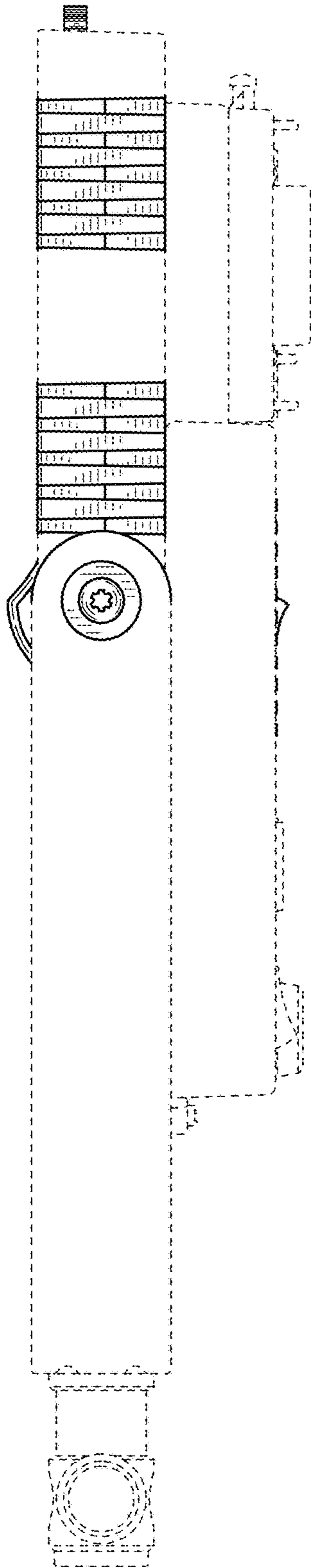


FIG. 4

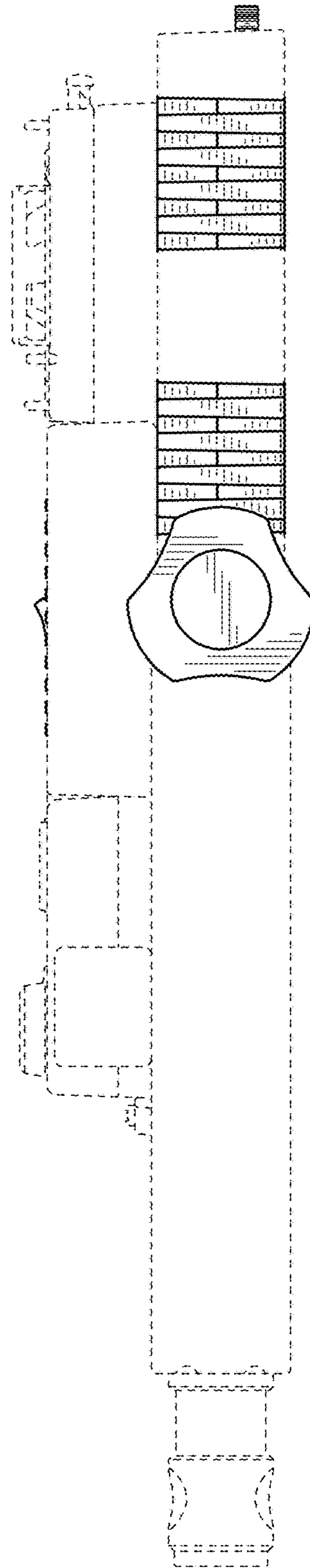


FIG. 5

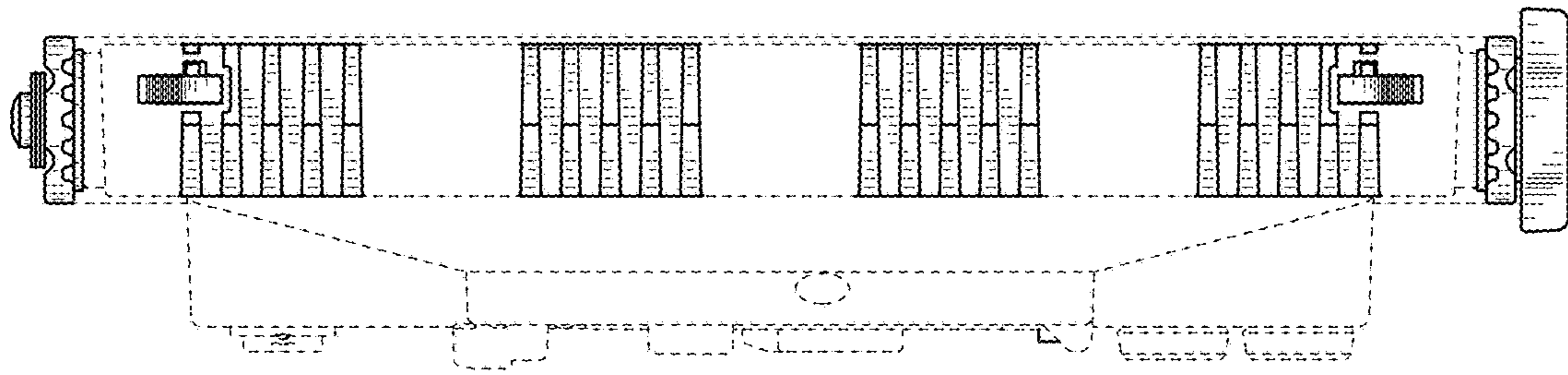


FIG. 6

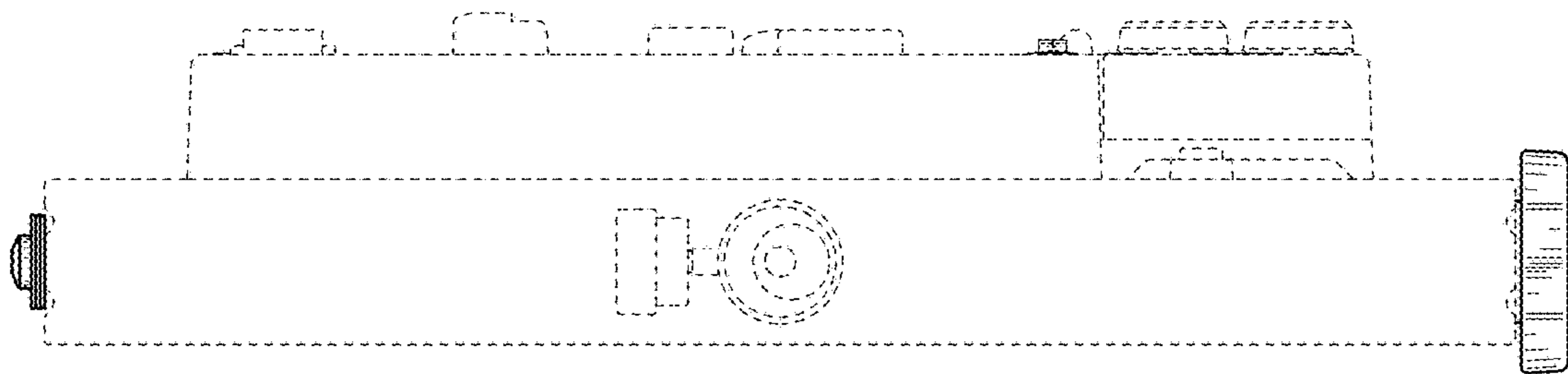


FIG. 7